



US00D476089S

(12) **United States Design Patent**  
**Fenstermacher**

(10) **Patent No.:** **US D476,089 S**

(45) **Date of Patent:** **\*\* Jun. 17, 2003**

(54) **CRASH RAIL**

(75) Inventor: **James G. Fenstermacher**, Hughesville,  
PA (US)

(73) Assignee: **Construction Specialties, Inc.**,  
Lebanon, NJ (US)

(\*\*) Term: **14 Years**

(21) Appl. No.: **29/155,287**

(22) Filed: **Feb. 6, 2002**

**Related U.S. Application Data**

(63) Continuation of application No. 29/135,606, filed on Jan. 16,  
2001, now Pat. No. Des. 455,216.

(51) **LOC (7) Cl.** ..... **25-02**

(52) **U.S. Cl.** ..... **D25/38**

(58) **Field of Search** ..... D25/38, 43, 44,  
D25/119; 256/1, 59, 65

(56) **References Cited**

**U.S. PATENT DOCUMENTS**

D301,623 S	*	6/1989	Gosjean	.....	D25/119
D344,592 S	*	2/1994	Zaccai et al.	.....	D25/38
5,396,740 A	*	3/1995	Bocchi	.....	D25/38
5,779,228 A	*	7/1998	Hansen	.....	256/65

\* cited by examiner

*Primary Examiner*—Doris Clark

(74) *Attorney, Agent, or Firm*—Baker Botts L.L.P.

(57) **CLAIM**

The ornamental design for a crash rail, as shown and described.

**DESCRIPTION**

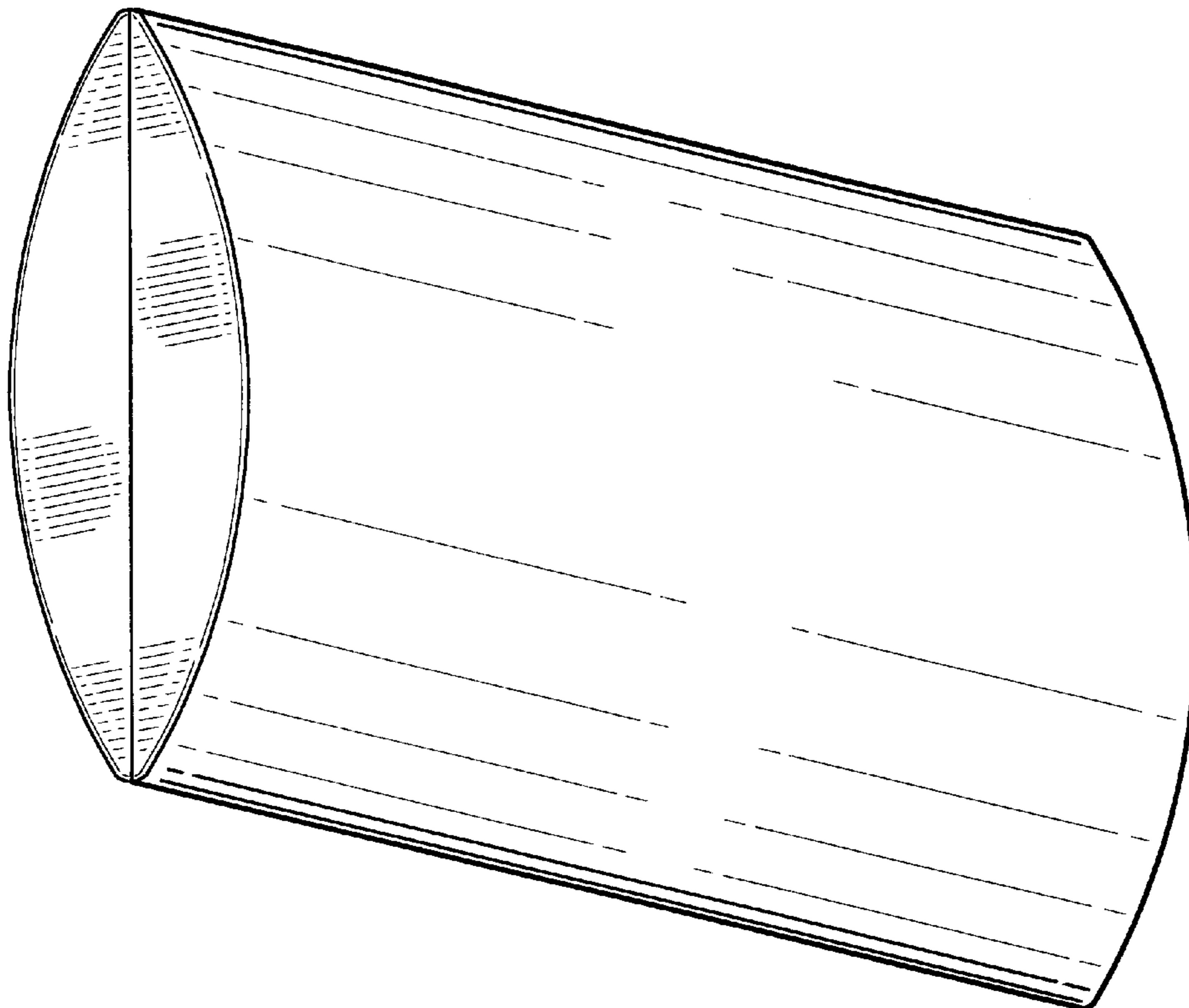
FIG. 1 is an end elevational view, which shows the outer contours of the rail bodies of the embodiments of a crash rail according to the new design that are shown in FIGS. 2 to 5; FIG. 2 is a three-quarter front perspective view of the left end portion of a first embodiment, taken from a viewpoint to the left and below, and is also a mirror image of the right end portion;

FIG. 3 is a three-quarter front perspective view of the left end portion of the embodiment of FIG. 2, taken from a viewpoint to the left and above, and is also a mirror image of the right end portion;

FIG. 4 is a three-quarter front perspective view of the left end portion of the embodiment of FIG. 2, taken from a viewpoint to the left and slightly above, and is also a mirror image of the right end portion; and,

FIG. 5 is a three-quarter front perspective view of the left end portion of a second embodiment, taken from a viewpoint to the left and slightly above, and is also a mirror image of the right end portion.

**1 Claim, 5 Drawing Sheets**



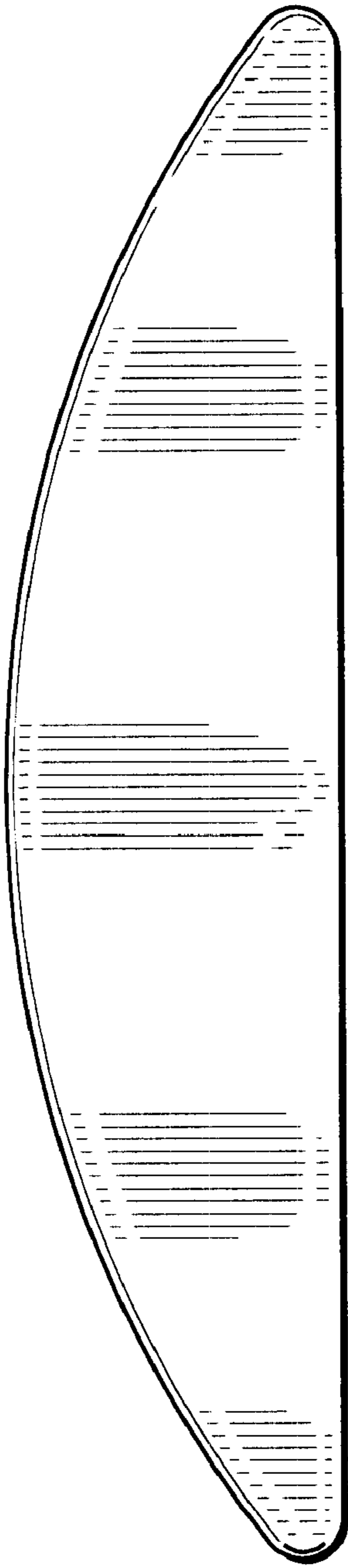


FIG. 1

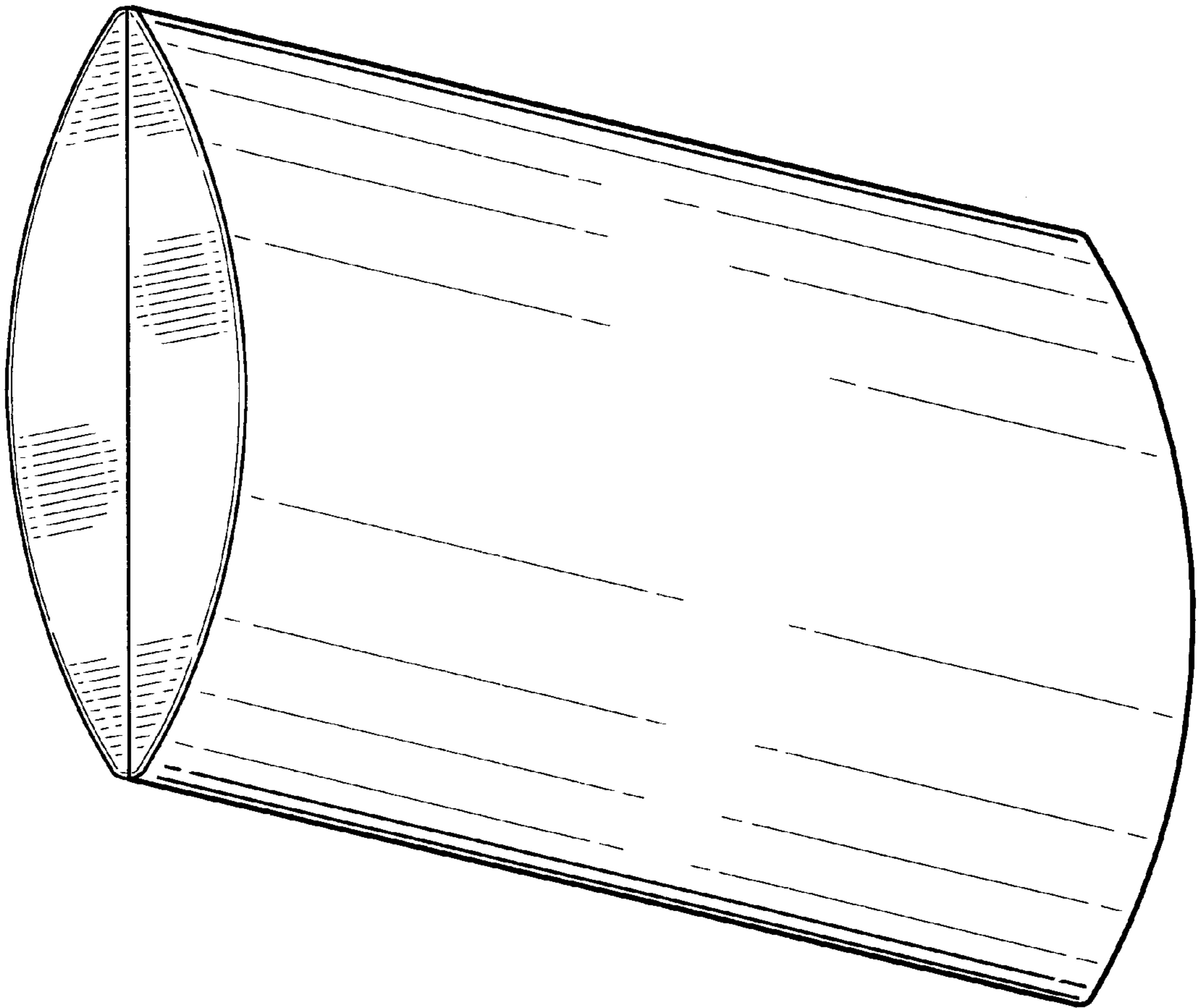


FIG. 2

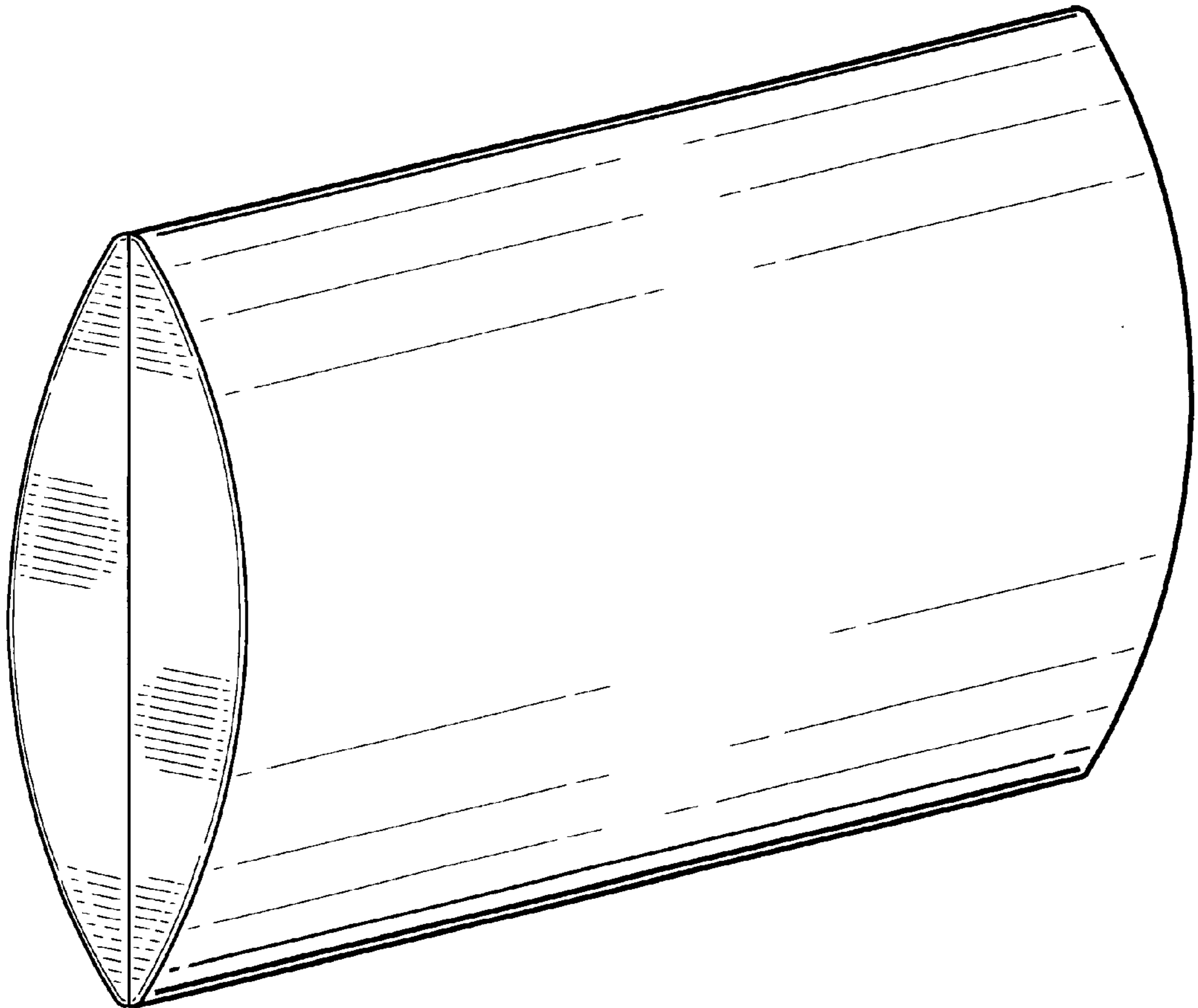


FIG. 3

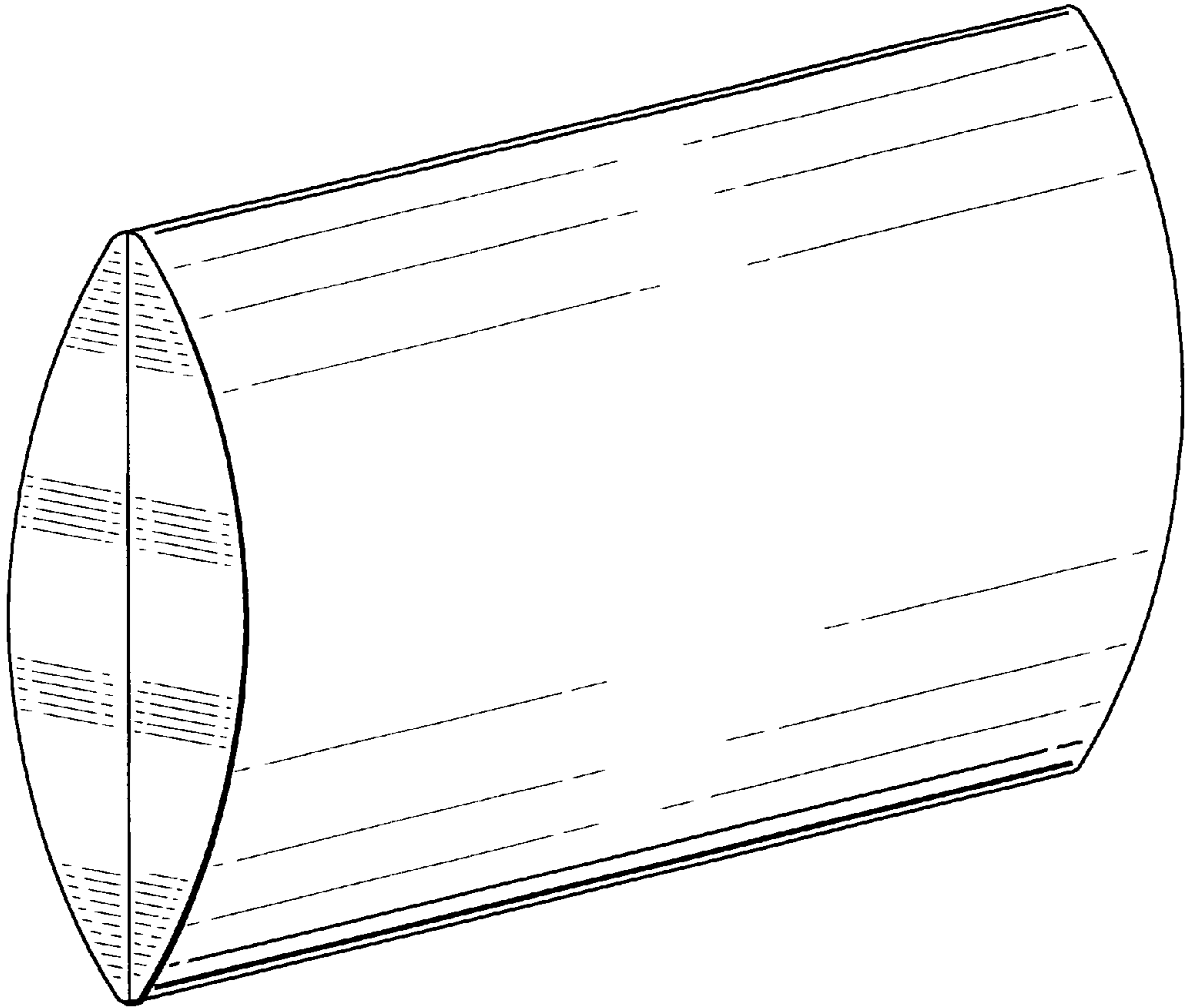


FIG. 4

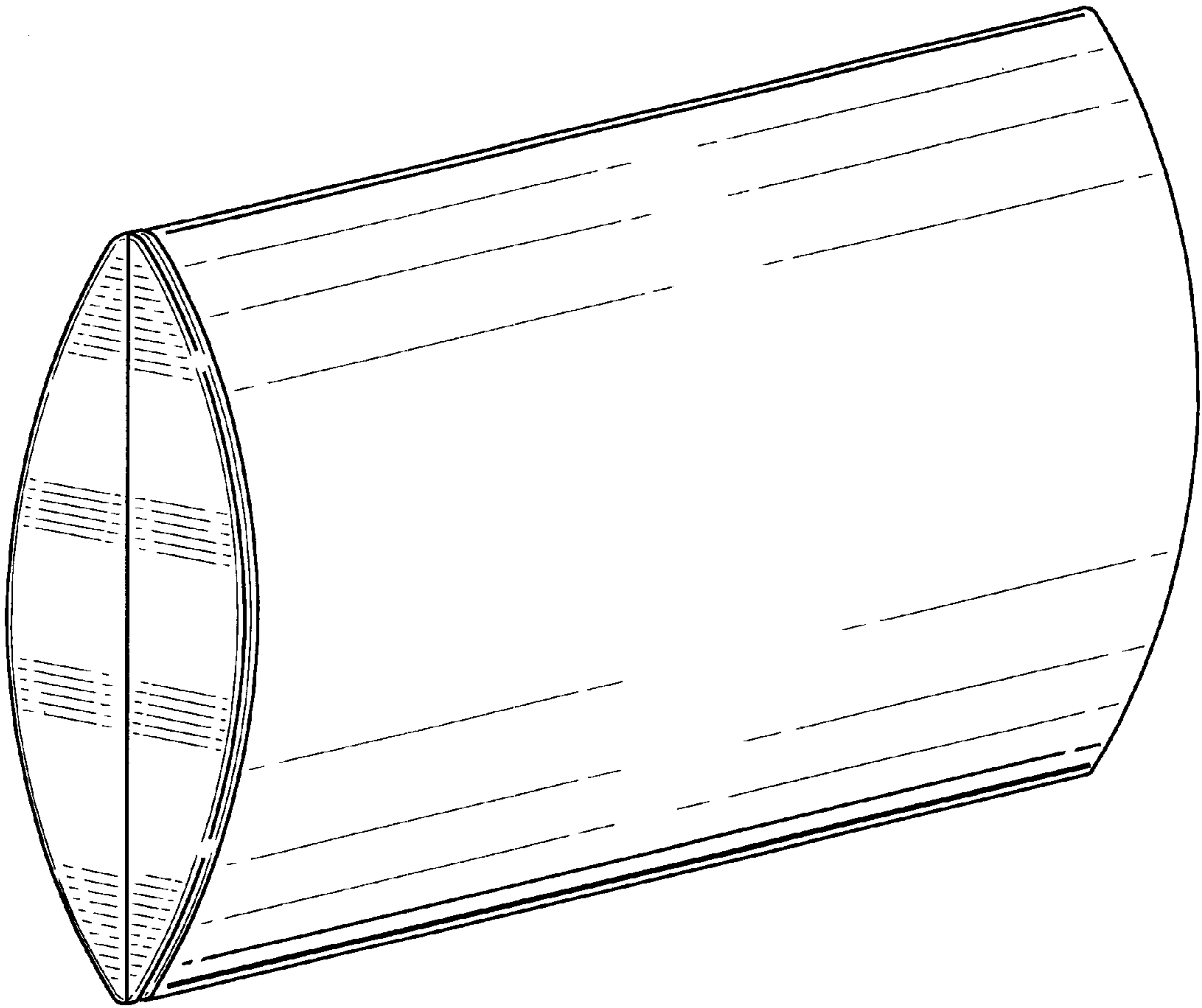


FIG. 5

UNITED STATES PATENT AND TRADEMARK OFFICE  
**CERTIFICATE OF CORRECTION**

PATENT NO. : Des. 476,089 S  
DATED : June 17, 2003  
INVENTOR(S) : Fenstermacher, James G.

Page 1 of 1

It is certified that error appears in the above-identified patent and that said Letters Patent is hereby corrected as shown below:

Title page,

Item [56], **References Cited**, U.S. PATENT DOCUMENTS, insert:

-- 4,196,552 4/1980 Bartlett ..... 256/59 --

OTHER PUBLICATIONS, insert:

-- Excerpt from 1999 catalog of C.S. Steel SA for Acrovyn®.

2000 Catalog fo C/S Group for C/S Acrovyn®

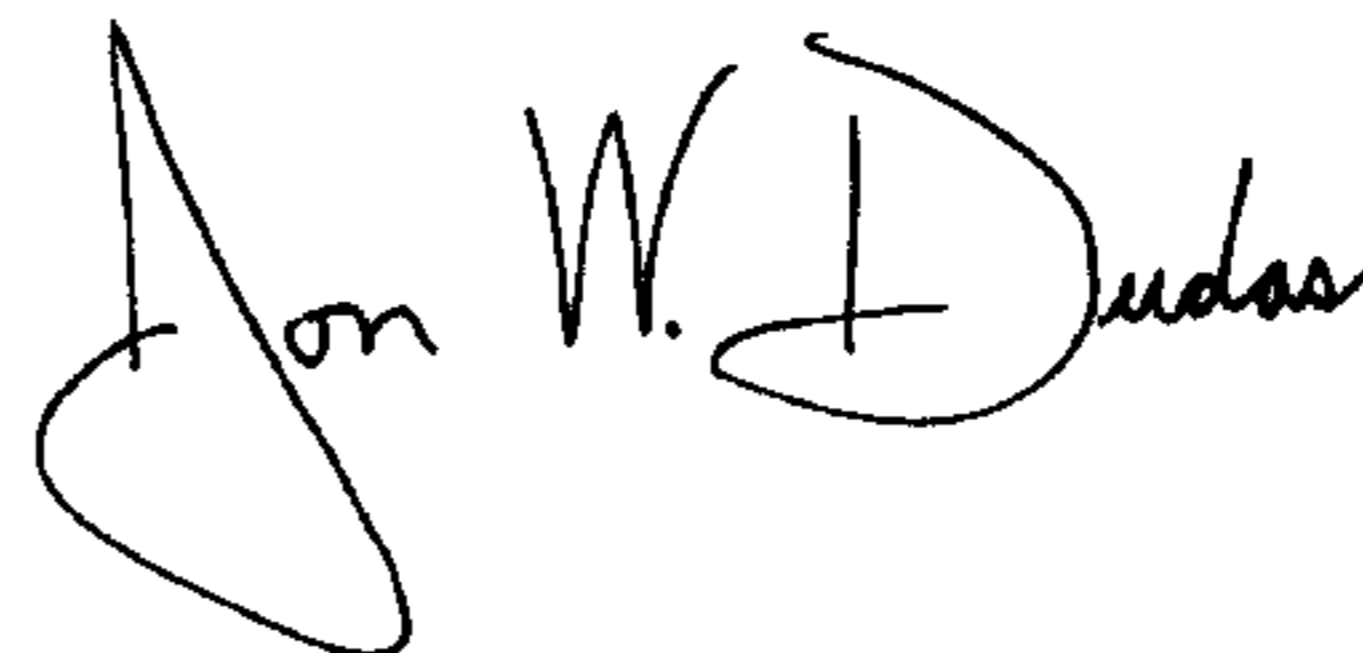
1999 Catalog of SPM (French language) --

Item [57], **DESCRIPTION**,

Line 15, "and," should read -- and --

Signed and Sealed this

Third Day of February, 2004



JON W. DUDAS

*Acting Director of the United States Patent and Trademark Office*