



US00D476088S

(12) **United States Design Patent**
Wescott, III

(10) **Patent No.:** **US D476,088 S**
(45) **Date of Patent:** **** Jun. 17, 2003**

(54) **TEST TUBE RECEPTACLE**

* cited by examiner

(76) Inventor: **Harvey M. Wescott, III**, 37 Bart Rd.,
Billerica, MA (US) 01862

Primary Examiner—Ian Simmons
(74) *Attorney, Agent, or Firm*—Pearson & Pearson, LLP

(**) Term: **14 Years**

(57) **CLAIM**

(21) Appl. No.: **29/137,187**

The ornamental design for the test tube receptacle, as shown and described.

(22) Filed: **Feb. 14, 2001**

DESCRIPTION

Related U.S. Application Data

(62) Division of application No. 29/106,708, filed on Jun. 18, 1999, now Pat. No. Des. 446,311.

(51) **LOC (7) Cl.** **06-04**

(52) **U.S. Cl.** **D24/230**

(58) **Field of Search** D24/230, 227;
422/102, 100; 206/433, 477, 521, 829,
446; 211/74, 85.19; 248/14 C

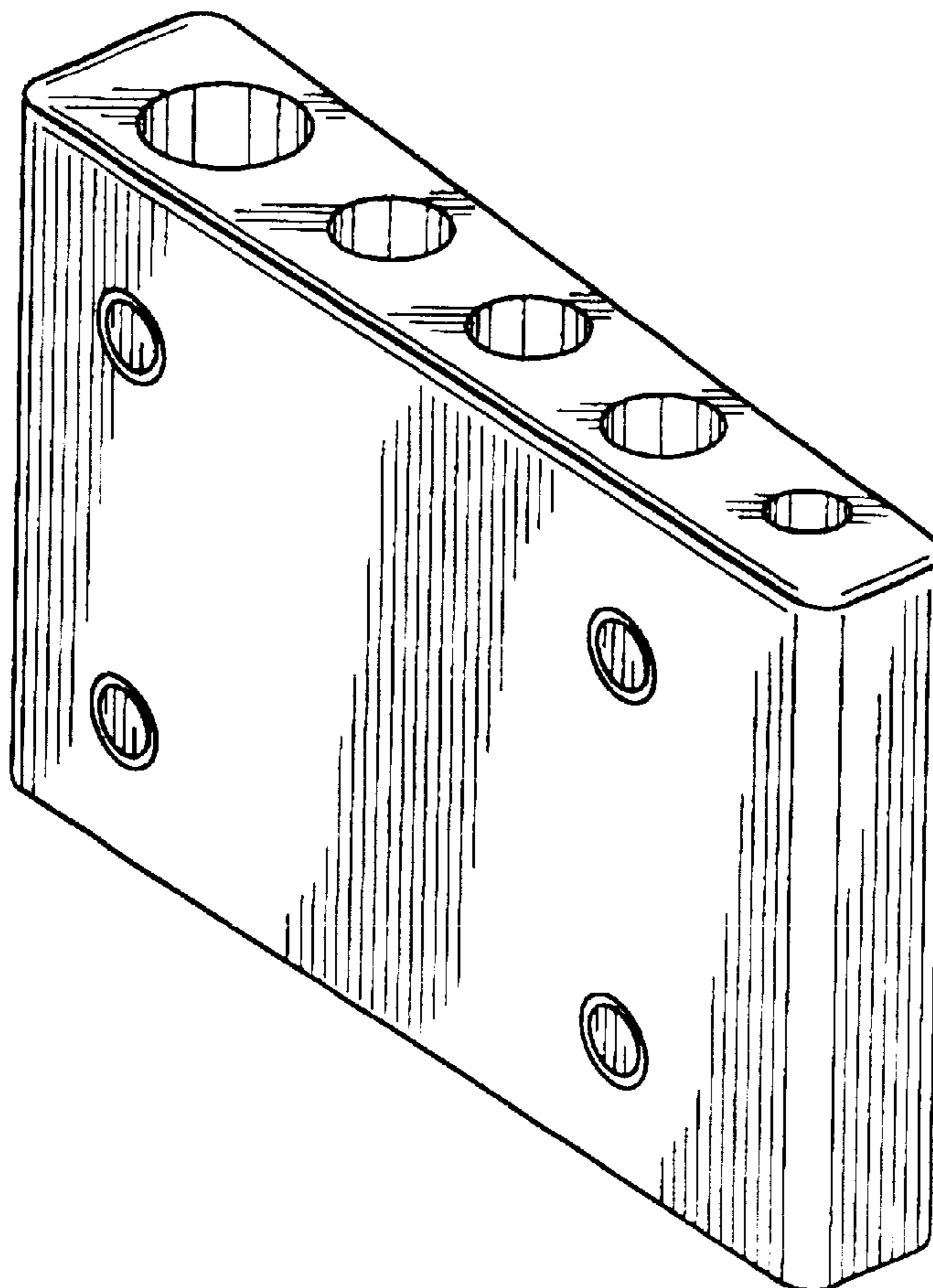
FIG. 1 is a rear perspective view of the test tube receptacle showing my new design;
FIG. 2 is a right side elevational view of the test tube receptacle thereof;
FIG. 3 is a left side elevational view of the test tube receptacle thereof;
FIG. 4 is a top plan view of the test tube receptacle thereof;
FIG. 5 is a bottom plan view of the test tube receptacle thereof;
FIG. 6 is a front elevational view of the test tube receptacle thereof; and,
FIG. 7 is a rear elevational view of the test tube receptacle thereof.

(56) **References Cited**

U.S. PATENT DOCUMENTS

5,127,531 A * 7/1992 Onodera 206/446
5,148,919 A * 9/1992 Rubin 206/477

1 Claim, 3 Drawing Sheets



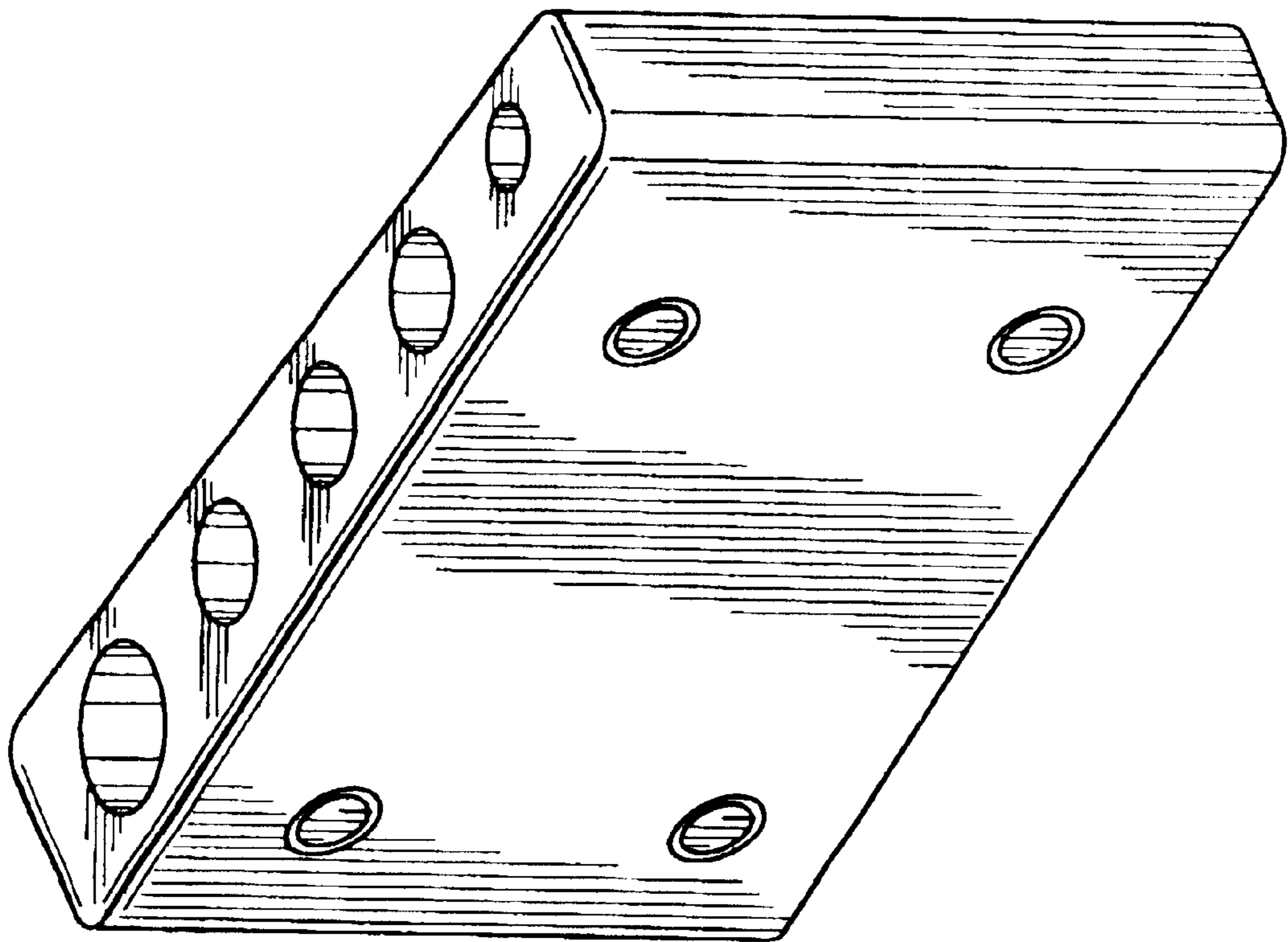


FIG. 1



FIG. 2



FIG. 3

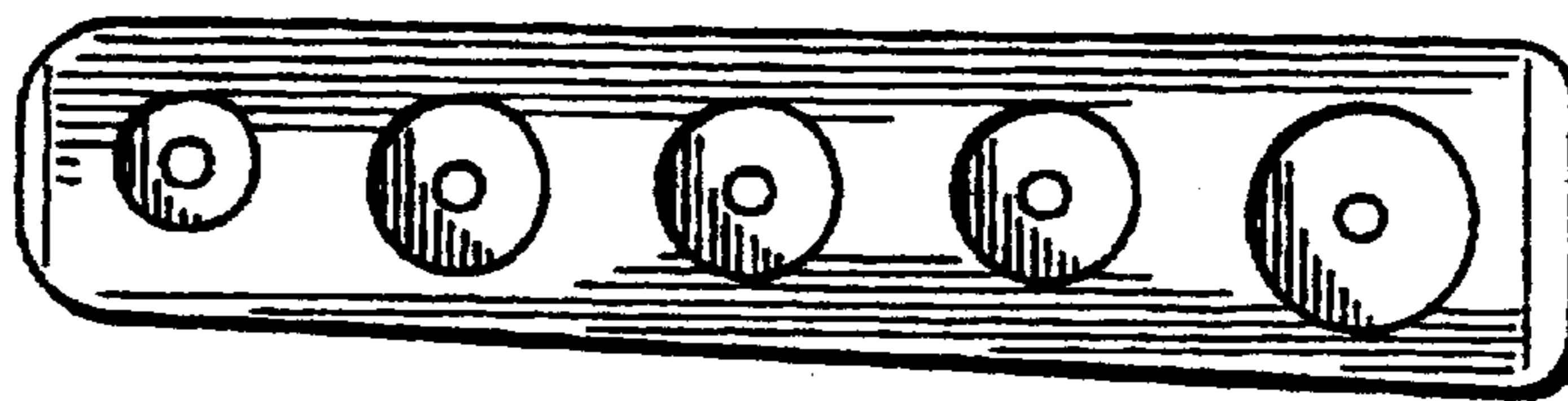


FIG. 4

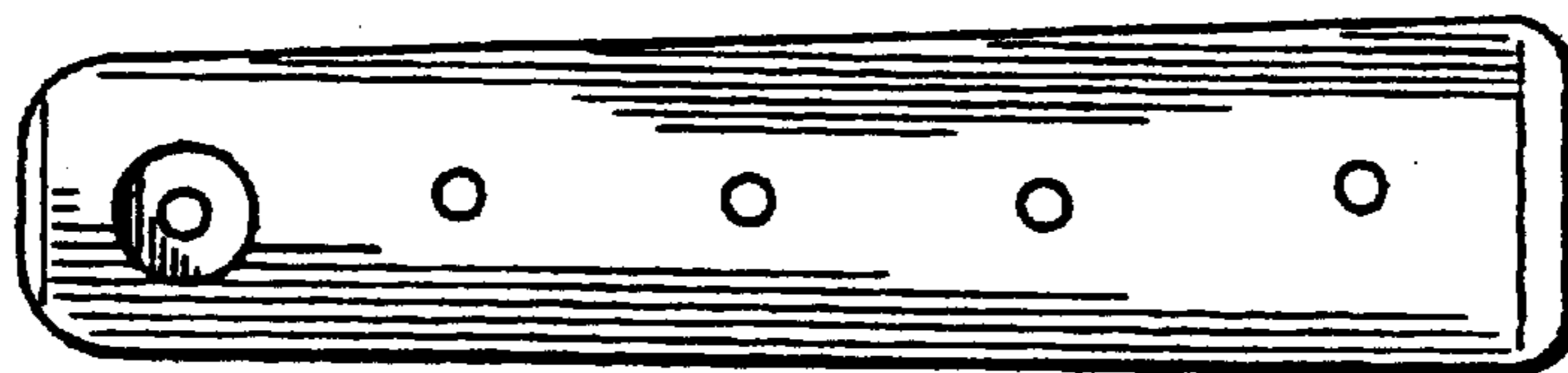


FIG. 5

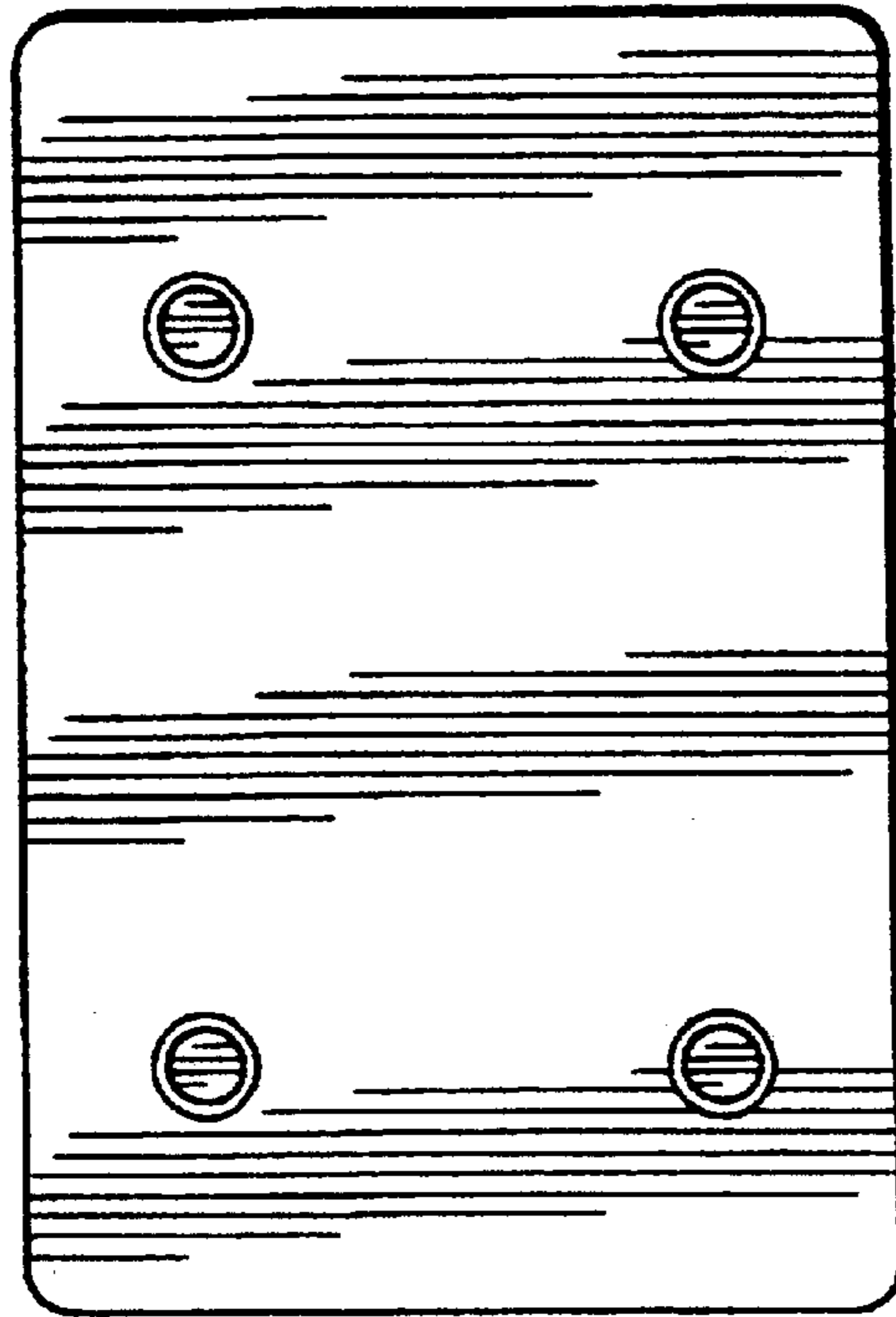


FIG. 7

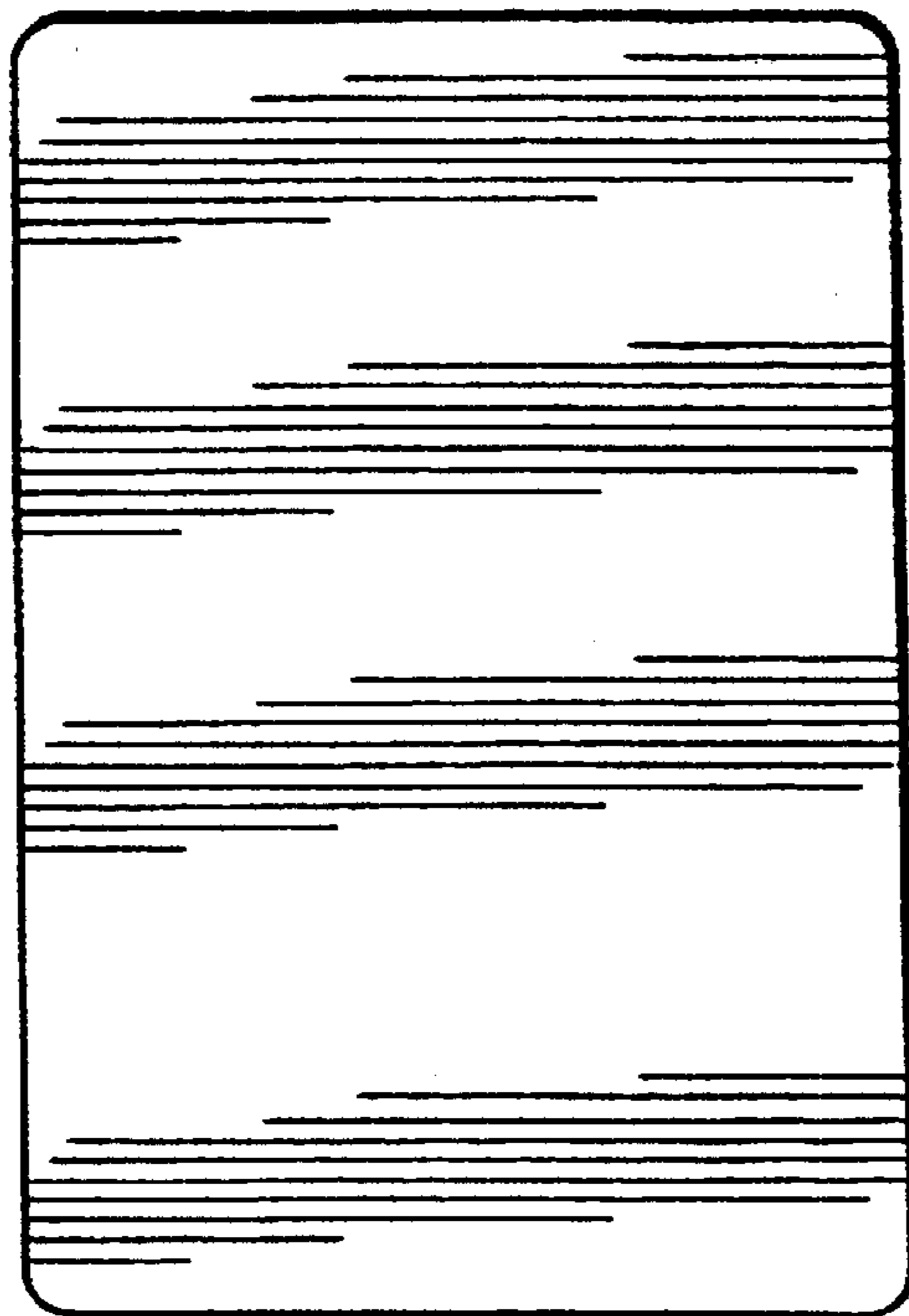


FIG. 6