



US00D476087S

(12) **United States Design Patent**
Dirks et al.

(10) **Patent No.:** **US D476,087 S**

(45) **Date of Patent:** **** Jun. 17, 2003**

(54) **MASSAGER**

(75) Inventors: **Keith Dirks**, Sterling, IL (US); **Charles Y. Choi**, Palatine, IL (US)

(73) Assignee: **Wahl Clipper Corporation**, Sterling, IL (US)

(**) Term: **14 Years**

(21) Appl. No.: **29/150,747**

(22) Filed: **Nov. 28, 2001**

(51) **LOC (7) Cl.** **28-03**

(52) **U.S. Cl.** **D24/215**

(58) **Field of Search** D24/200, 211,
D24/214, 215; 601/46, 51, 52, 63, 84, 85,
93, 94, 131, 134

(56) **References Cited**

U.S. PATENT DOCUMENTS

2,203,976	A	*	6/1940	Aoyagi	601/94
D171,941	S	*	4/1954	Iannelli	D24/214
2,988,084	A	*	6/1961	Douglas	601/80
3,994,290	A	*	11/1976	Springer et al.	601/131
4,846,159	A	*	7/1989	Anzai et al.	601/128

D331,466	S	*	12/1992	Doria	D24/200
D345,424	S	*	3/1994	Gudeein	D24/215
D351,474	S	*	10/1994	Huang	D24/211
D364,231	S	*	11/1995	Kou et al.	D24/215

* cited by examiner

Primary Examiner—Stella Reid

(74) *Attorney, Agent, or Firm*—Greer, Burns, & Crain Ltd.

(57) **CLAIM**

The ornamental design for a massager, as shown and described.

DESCRIPTION

FIG. 1 is a perspective view of a massager, showing our new design;

FIG. 2 is a front view thereof;

FIG. 3 is a rear view thereof;

FIG. 4 is a top view thereof;

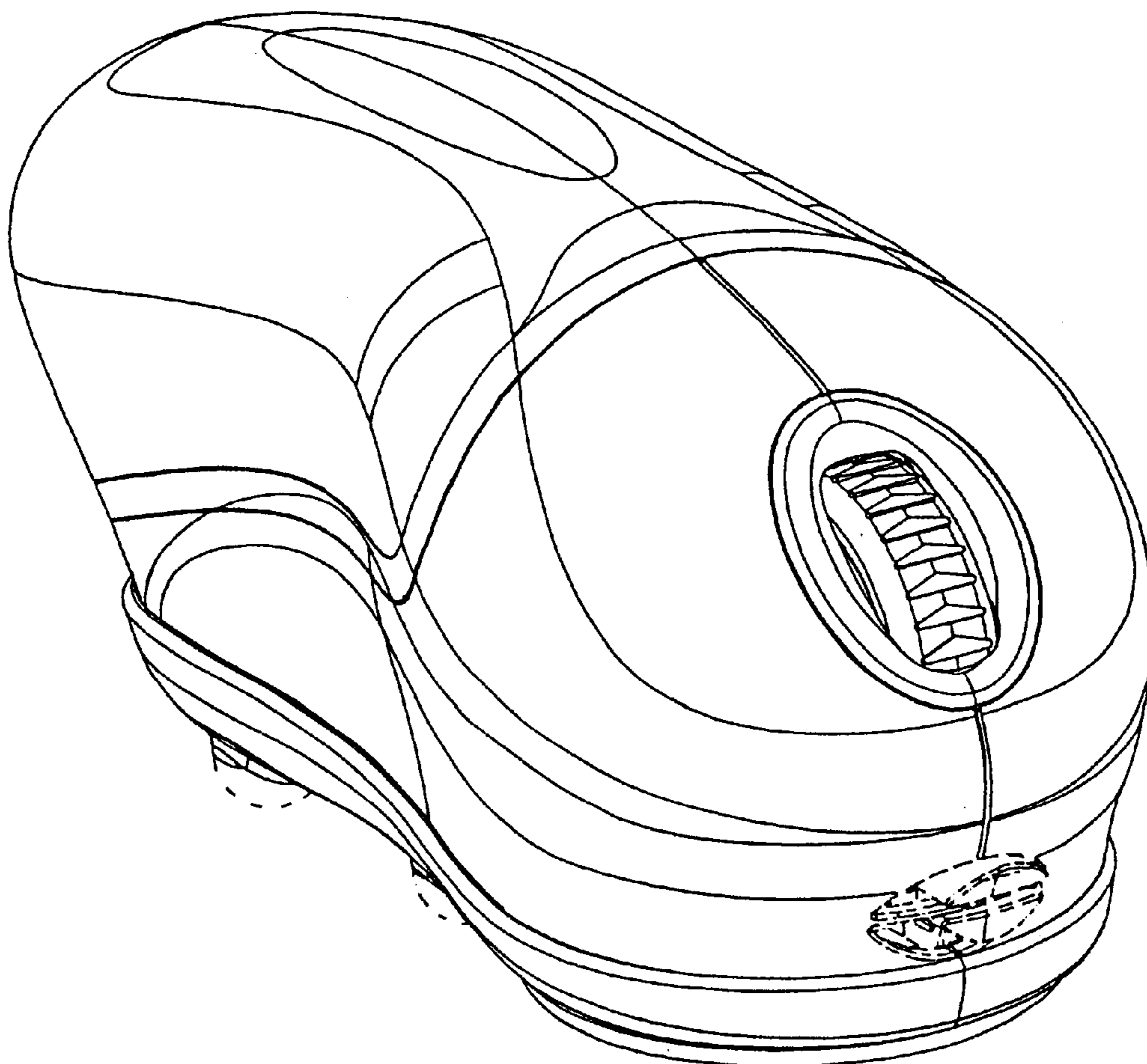
FIG. 5 is a left side view thereof;

FIG. 6 is a right side view thereof; and

FIG. 7 is a bottom view thereof.

The broken lines shown in the figures is for illustrative purposes only and form no part of the claimed design.

1 Claim, 4 Drawing Sheets



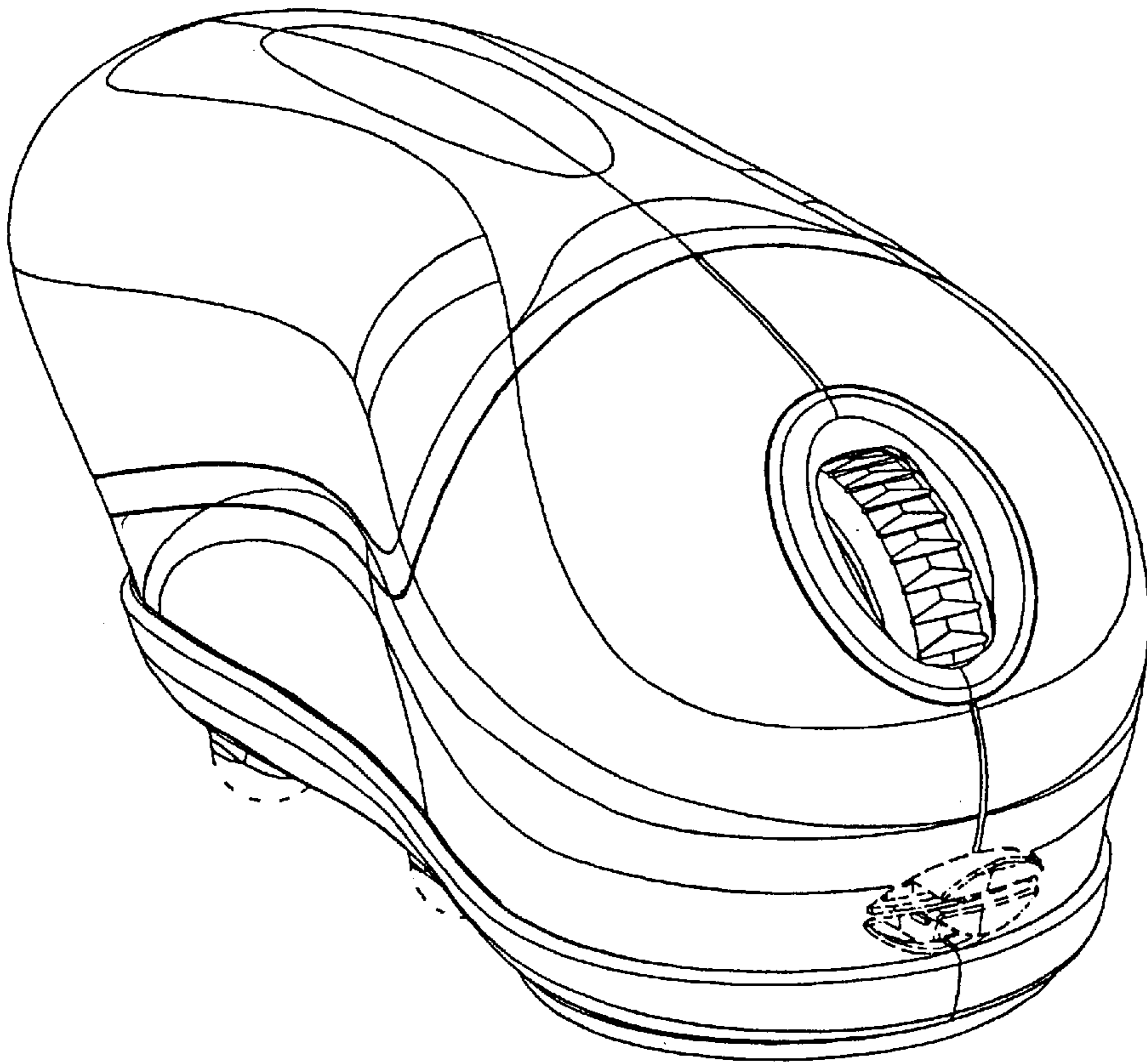


FIG.1

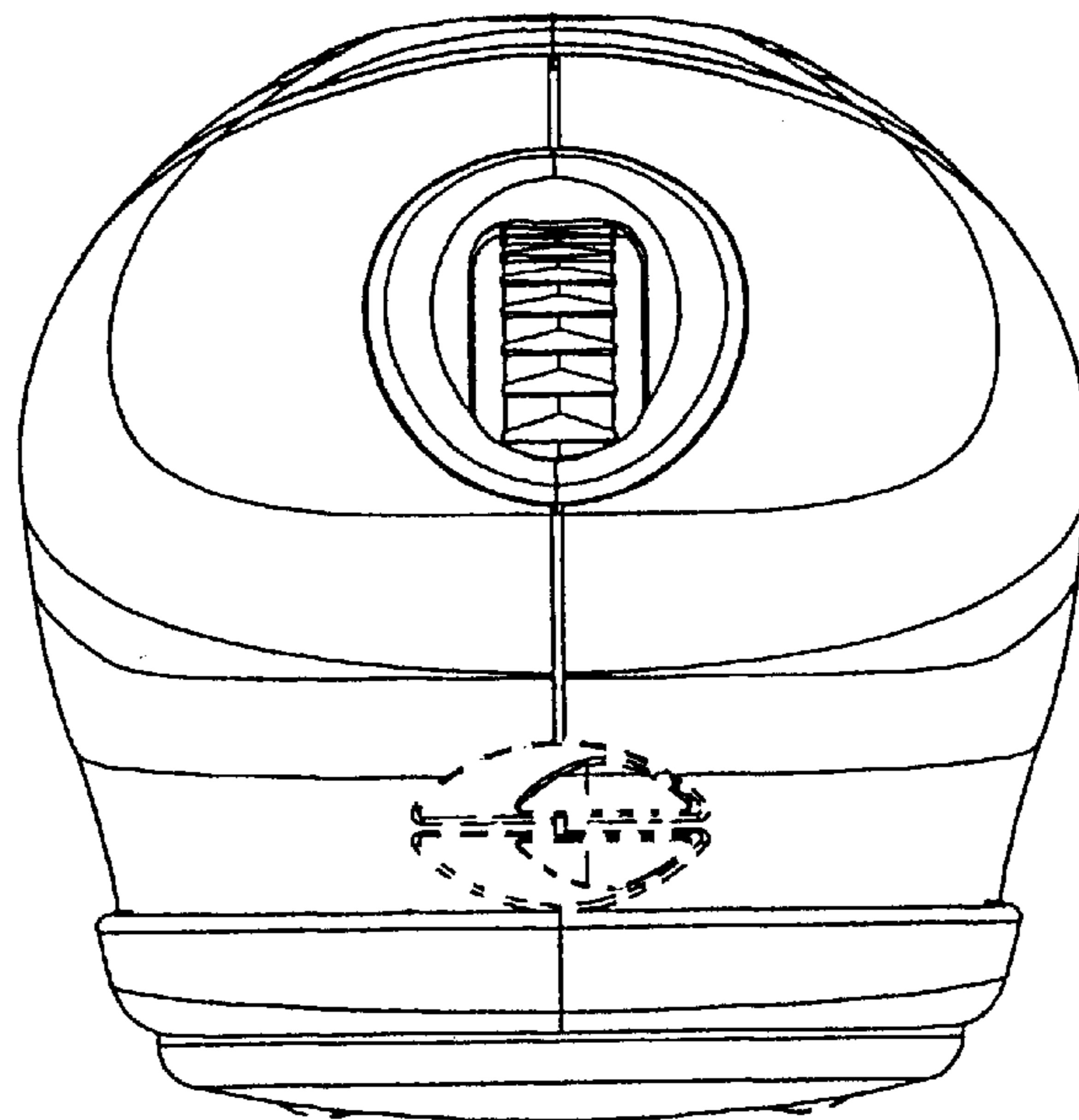


FIG.2

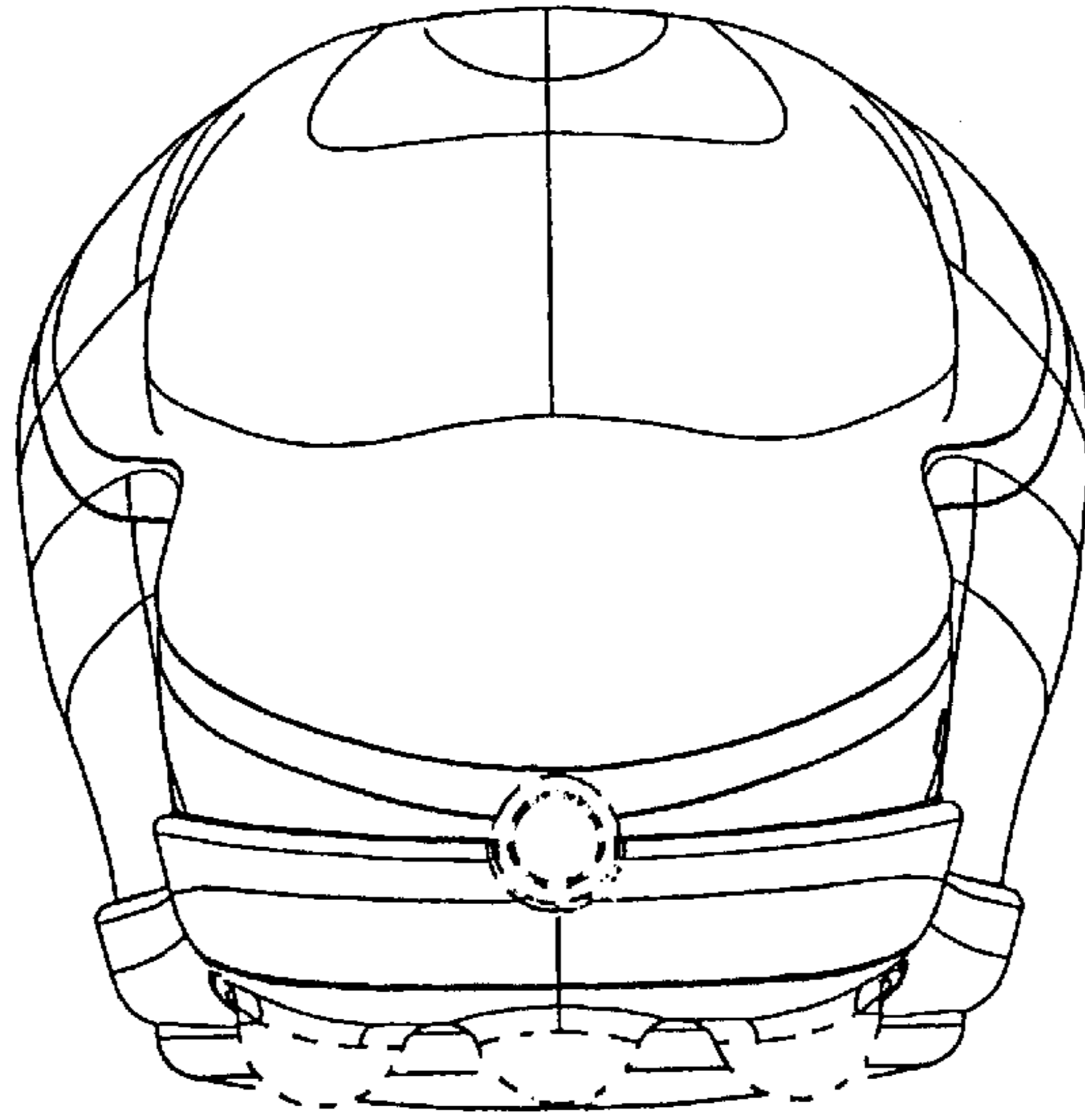


FIG.3

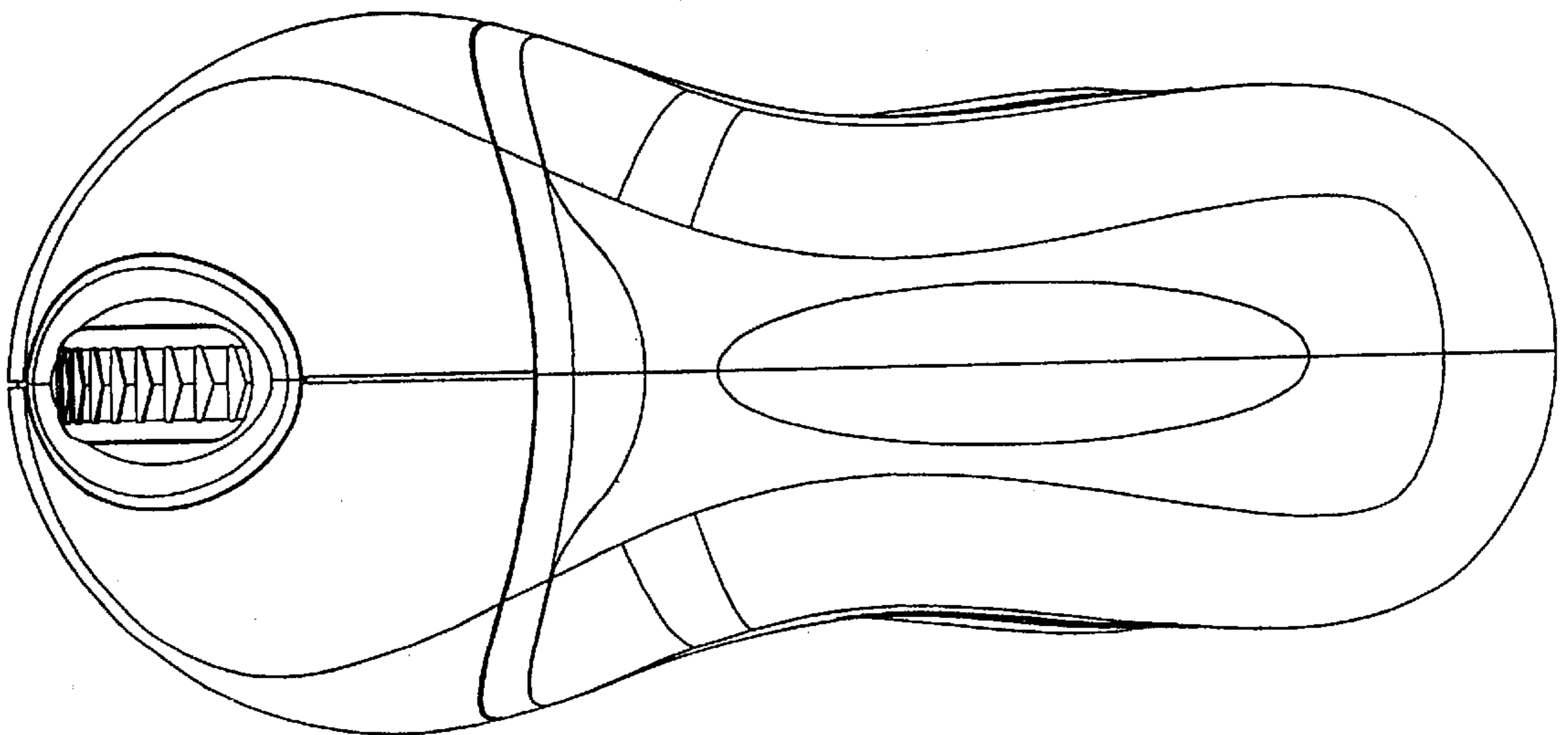


FIG.4

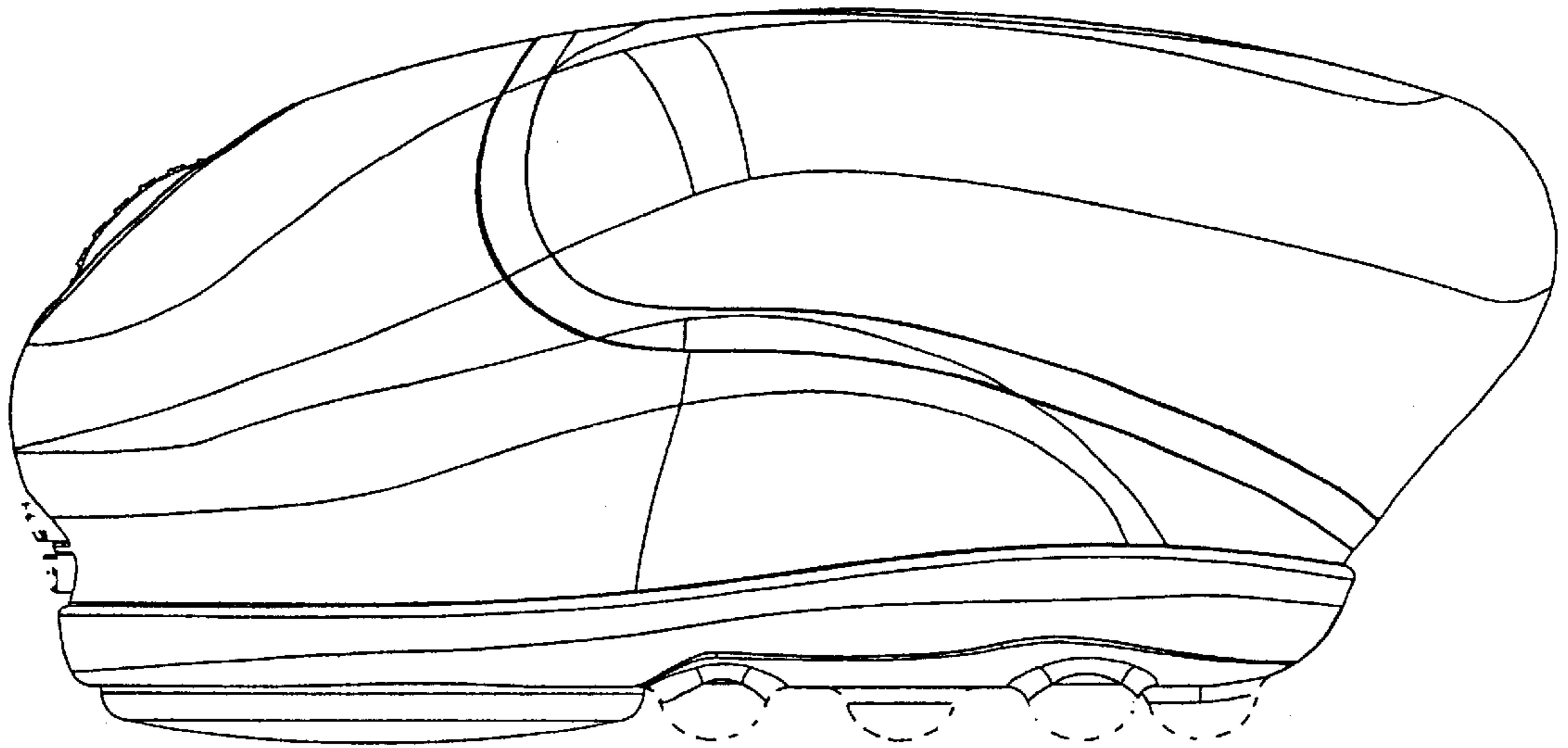


FIG.5

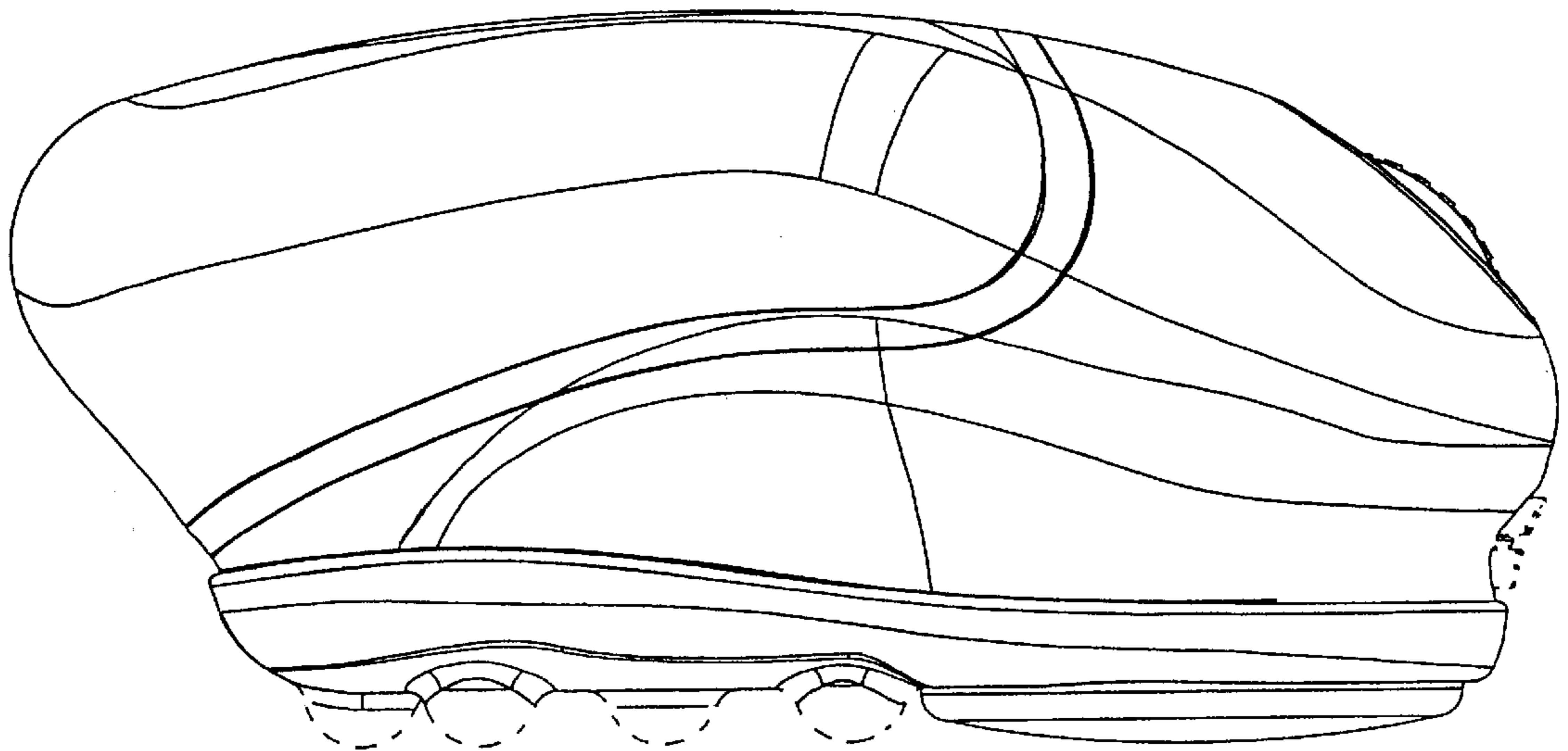


FIG.6

FIG.7

