



US00D476085S

(12) **United States Design Patent**  
**Dumont et al.**

(10) **Patent No.: US D476,085 S**  
(45) **Date of Patent: \*\* Jun. 17, 2003**

(54) **MEDICATION DISPENSING PACIFIER**

(76) Inventors: **Kevin E Dumont**, P.O. Box 236,  
Girouxville (CA), TOH 1S0; **Doreen Dumont**, P.O. Box 236, Giouxville  
(CA), TOH 1S0

(\*\*) Term: **14 Years**

(21) Appl. No.: **29/168,266**

(22) Filed: **Sep. 27, 2002**

(51) **LOC (7) Cl. .... 24-04**

(52) **U.S. Cl. .... D24/194**

(58) **Field of Search ..... D24/193, 194;**  
**606/234, 235, 236**

(56) **References Cited**

**U.S. PATENT DOCUMENTS**

2,612,165 A	9/1952	Szuderski	
5,078,734 A	1/1992	Noble	
5,127,903 A	7/1992	Mailot et al.	
5,176,705 A	1/1993	Noble	
D353,461 S	* 12/1994	Byrd	D24/194
D378,417 S	3/1997	Panagakos et al.	

D380,270 S	* 6/1997	Rekar	D24/194
D391,642 S	* 3/1998	Fountain	D24/194
D418,604 S	* 1/2000	Burym et al.	D24/194
6,110,193 A	8/2000	Chen	

\* cited by examiner

*Primary Examiner*—Stella Reid

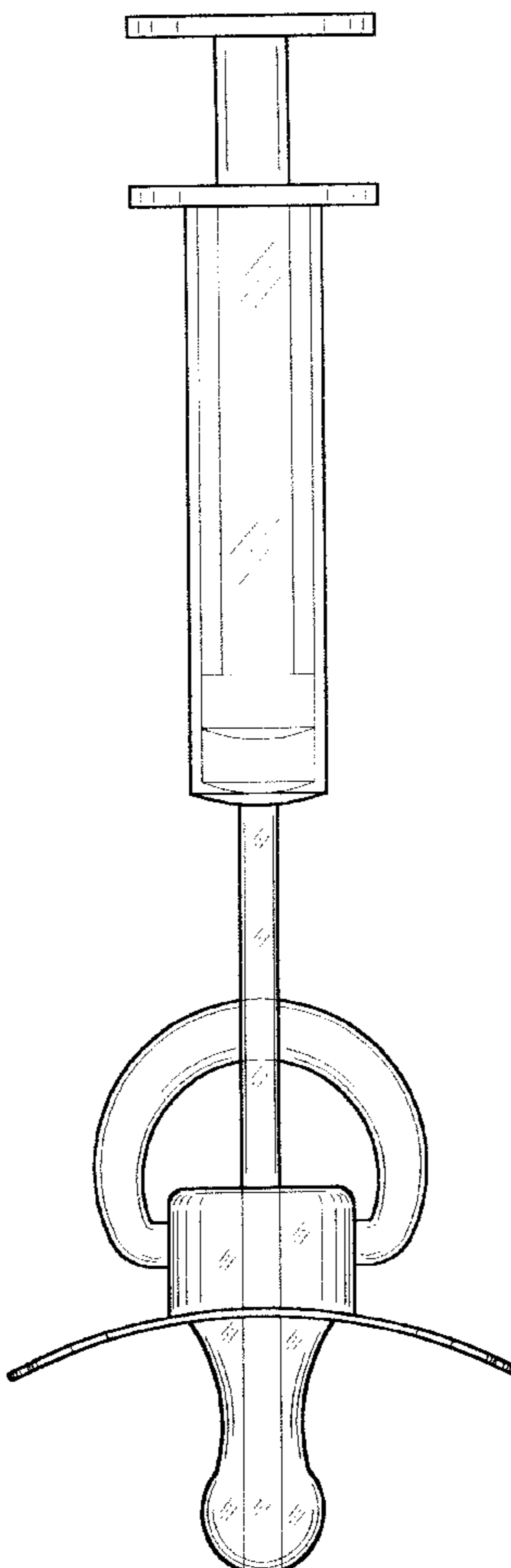
(57) **CLAIM**

The ornamental design for a medication dispensing pacifier, as shown and described.

**DESCRIPTION**

FIG. 1 is a front elevational view of the medication dispensing pacifier of the present invention; FIG. 2 is a rear elevational view of the medication dispensing pacifier of FIG. 1; FIG. 3 is a left side elevational view of the medication dispensing pacifier of FIG. 1, the right view being a mirror image thereof; FIG. 4 is a top plan view of the medication dispensing pacifier of FIG. 1; and, FIG. 5 is a bottom plan view of the medication dispensing pacifier of FIG. 1.

**1 Claim, 2 Drawing Sheets**



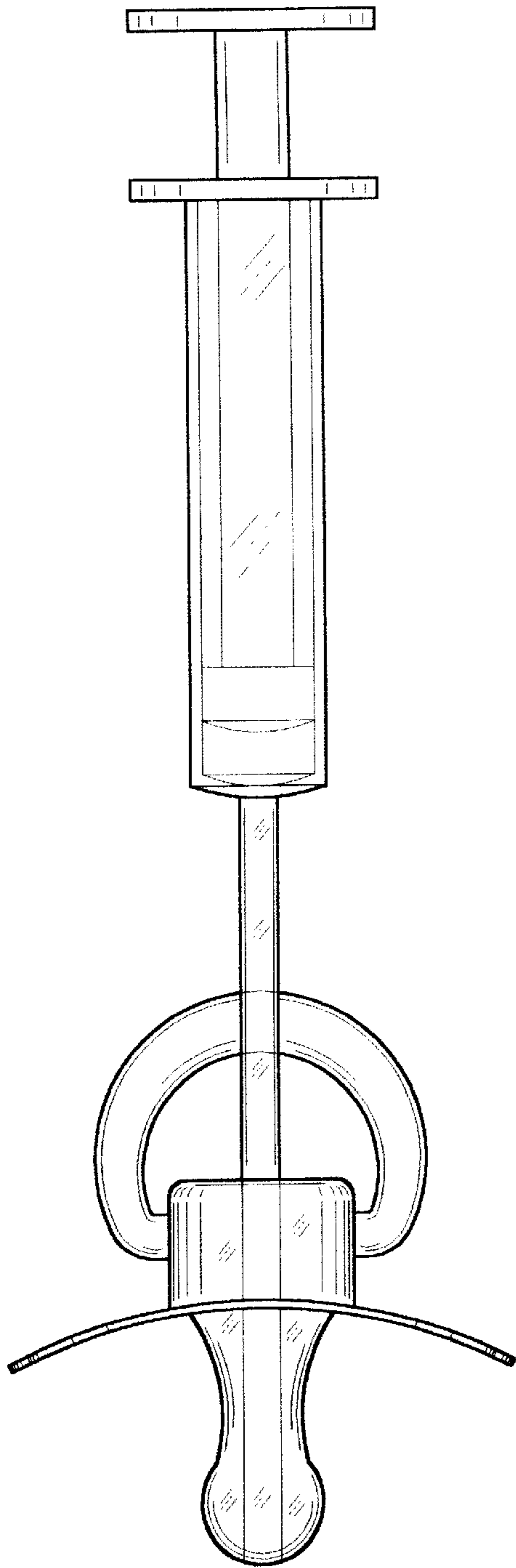


FIG. 1

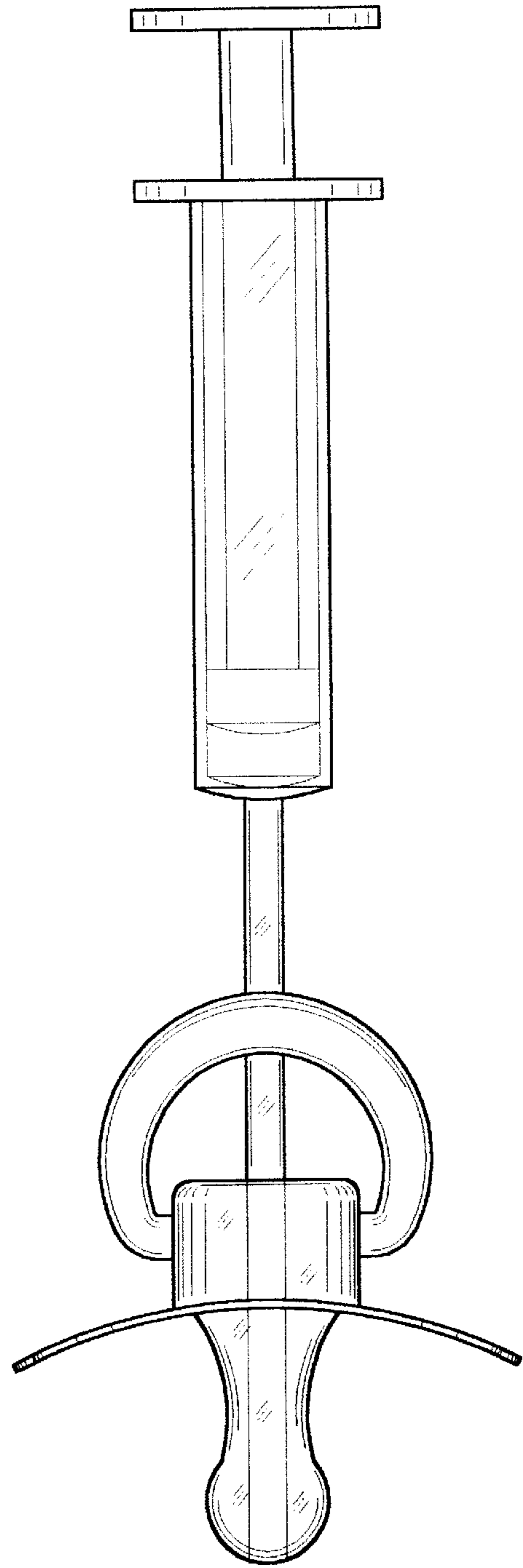


FIG. 2

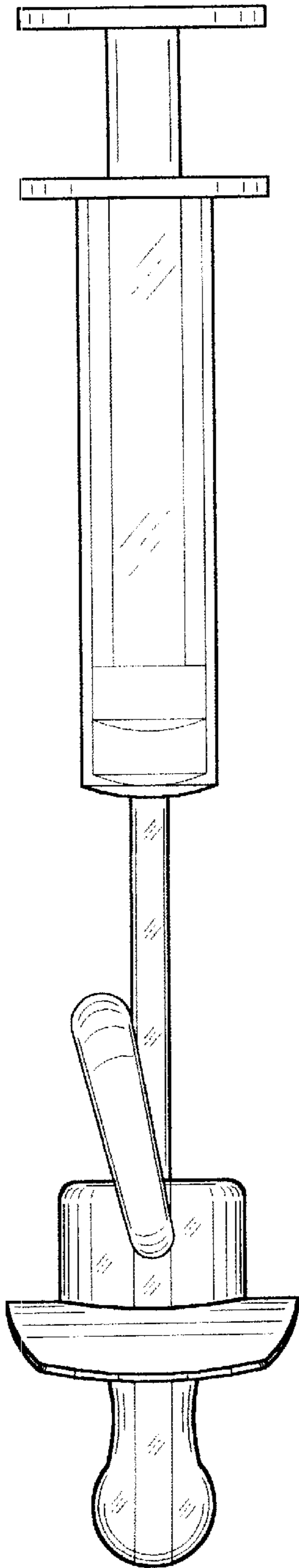


FIG. 3

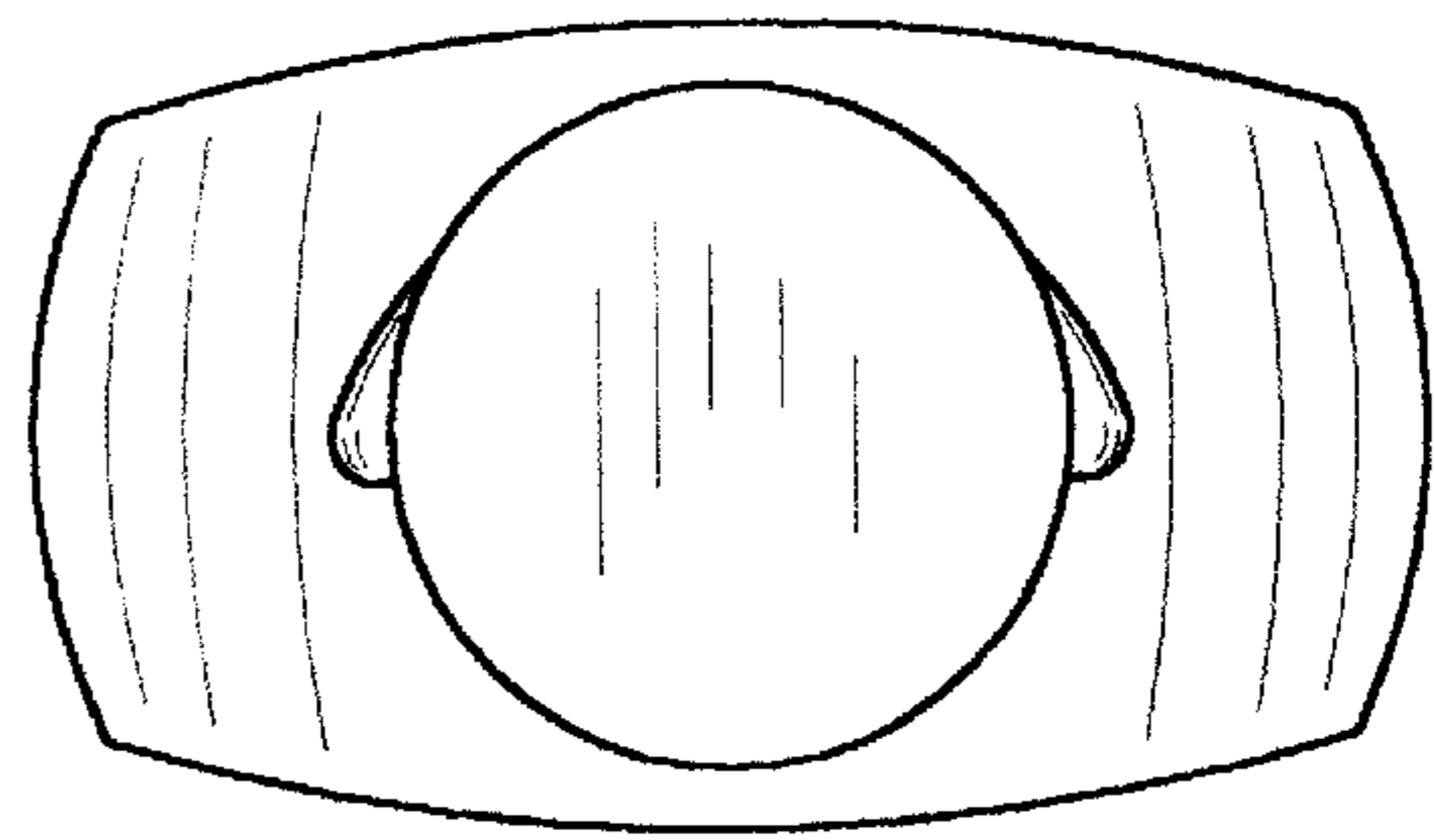


FIG. 4

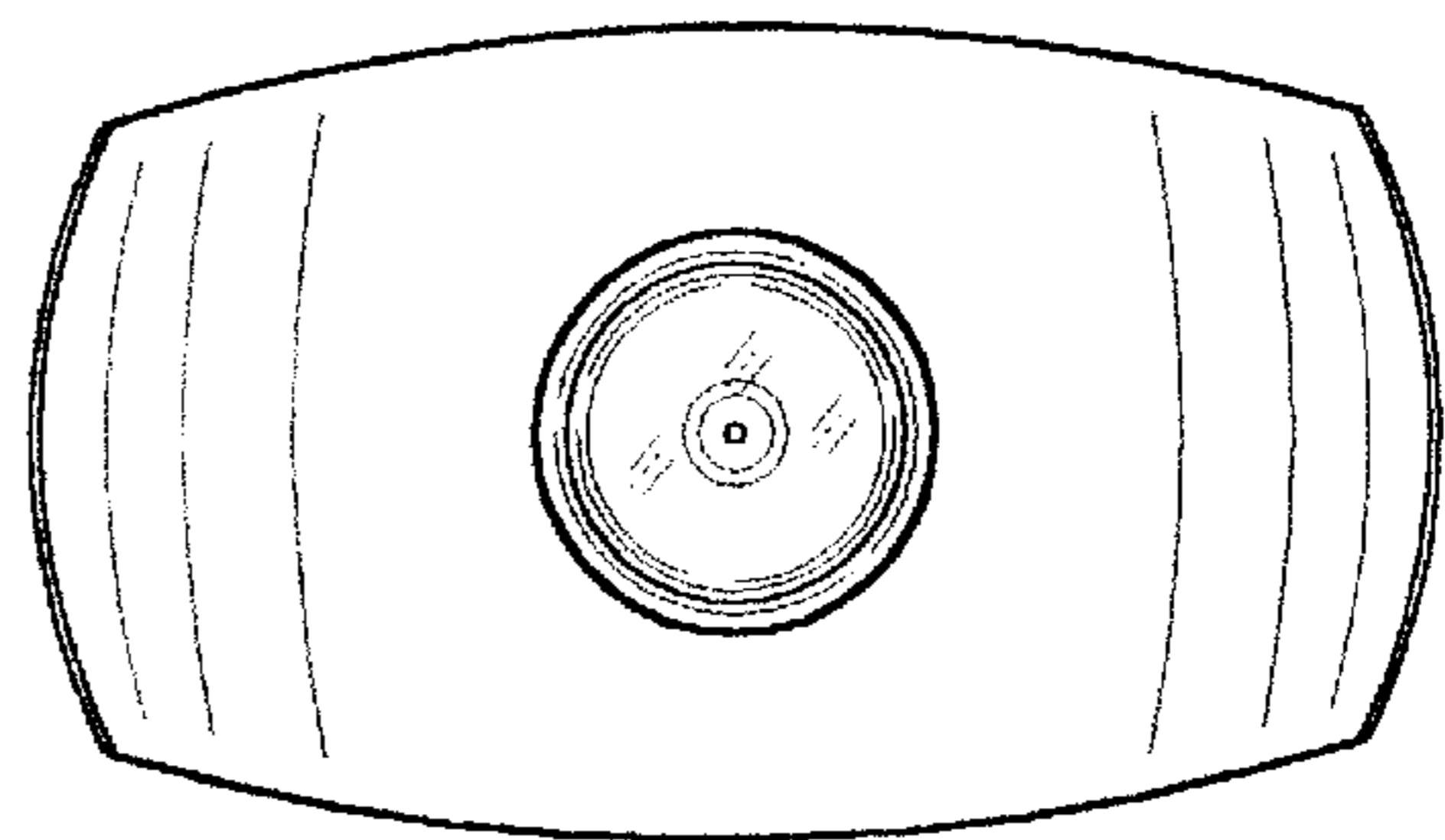


FIG. 5