



US00D476084S

(12) **United States Design Patent**
Gao et al.

(10) **Patent No.:** **US D476,084 S**

(45) **Date of Patent:** **** Jun. 17, 2003**

(54) **INSTRUMENT FOR PULLING AND TWISTING A WIRE**

(75) Inventors: **Hua Gao**, Fox Point, WI (US); **James A. Rinner**, Racine, WI (US)

(73) Assignee: **Beere Precision Medical Instruments, Inc.**, Kenosha, WI (US)

(**) Term: **14 Years**

(21) Appl. No.: **29/161,898**

(22) Filed: **Jun. 6, 2002**

(51) **LOC (7) Cl.** **24-02**

(52) **U.S. Cl.** **D24/133**

(58) **Field of Search** D24/133; 606/103, 606/74, 57, 73; 140/118, 119, 93.6, 105, 106, 123, 123.5

(56) **References Cited**

U.S. PATENT DOCUMENTS

- 1,120,575 A 12/1914 Wertz
- 3,865,155 A * 2/1975 Spath 140/93.6
- 4,527,554 A 7/1985 Klein
- 4,880,038 A 11/1989 Meinershagen
- D347,689 S * 6/1994 Hershberger et al. D24/133
- 5,449,361 A 9/1995 Preissman

- 5,501,688 A 3/1996 Whiteside et al.
- 5,540,698 A 7/1996 Preissman
- 5,693,046 A * 12/1997 Songer et al. 606/103
- 5,810,832 A 9/1998 Blasingame et al.
- 5,935,133 A * 8/1999 Wagner et al. 606/103

* cited by examiner

Primary Examiner—Ian Simmons

(74) *Attorney, Agent, or Firm*—Arthur J. Hansmann

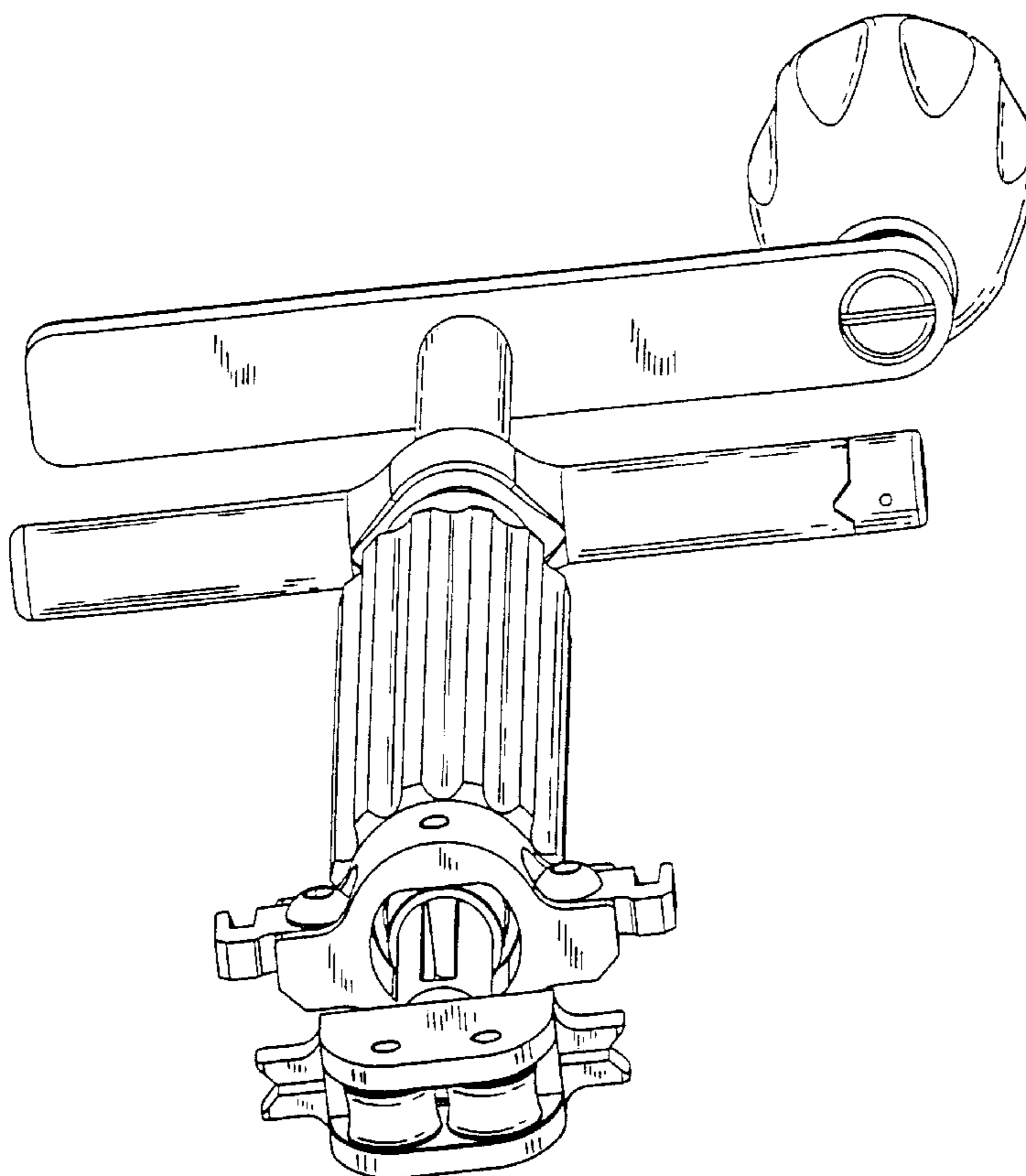
(57) **CLAIM**

The ornamental design for an instrument for pulling and twisting a wire, as shown and described.

DESCRIPTION

FIG. 1 bottom perspective view of the instrument for pulling and twisting a wire, showing our new design;
 FIG. 2 is a top plan view of FIG. 1;
 FIG. 3 is a bottom plan view of FIG. 1;
 FIG. 4 is a front elevational view of FIG. 1, on a larger scale;
 FIG. 5 is a right side elevational view of FIG. 4, on a reduced scale.
 FIG. 6 is rear elevational view of FIG. 1, on a larger scale;
 FIG. 7 is a right side elevational view of FIG. 6; and,
 FIG. 8 is a sectional view taken along the plane designated by the line 8—8 on FIG. 7, on a reduced scale.

1 Claim, 4 Drawing Sheets



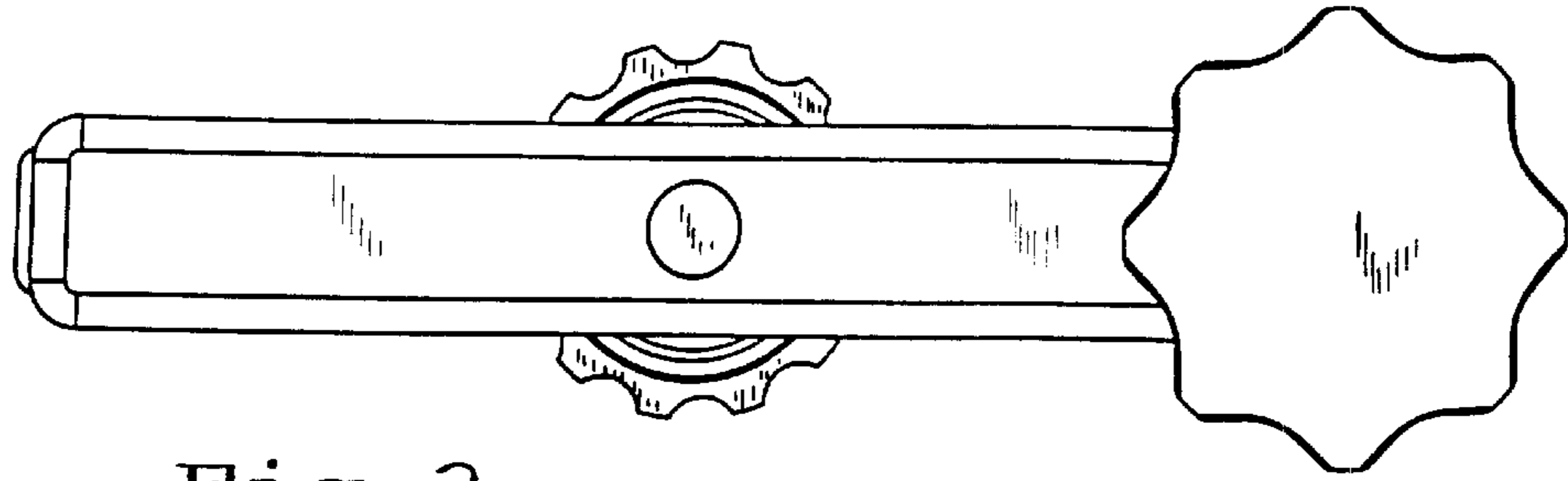


Fig. 2

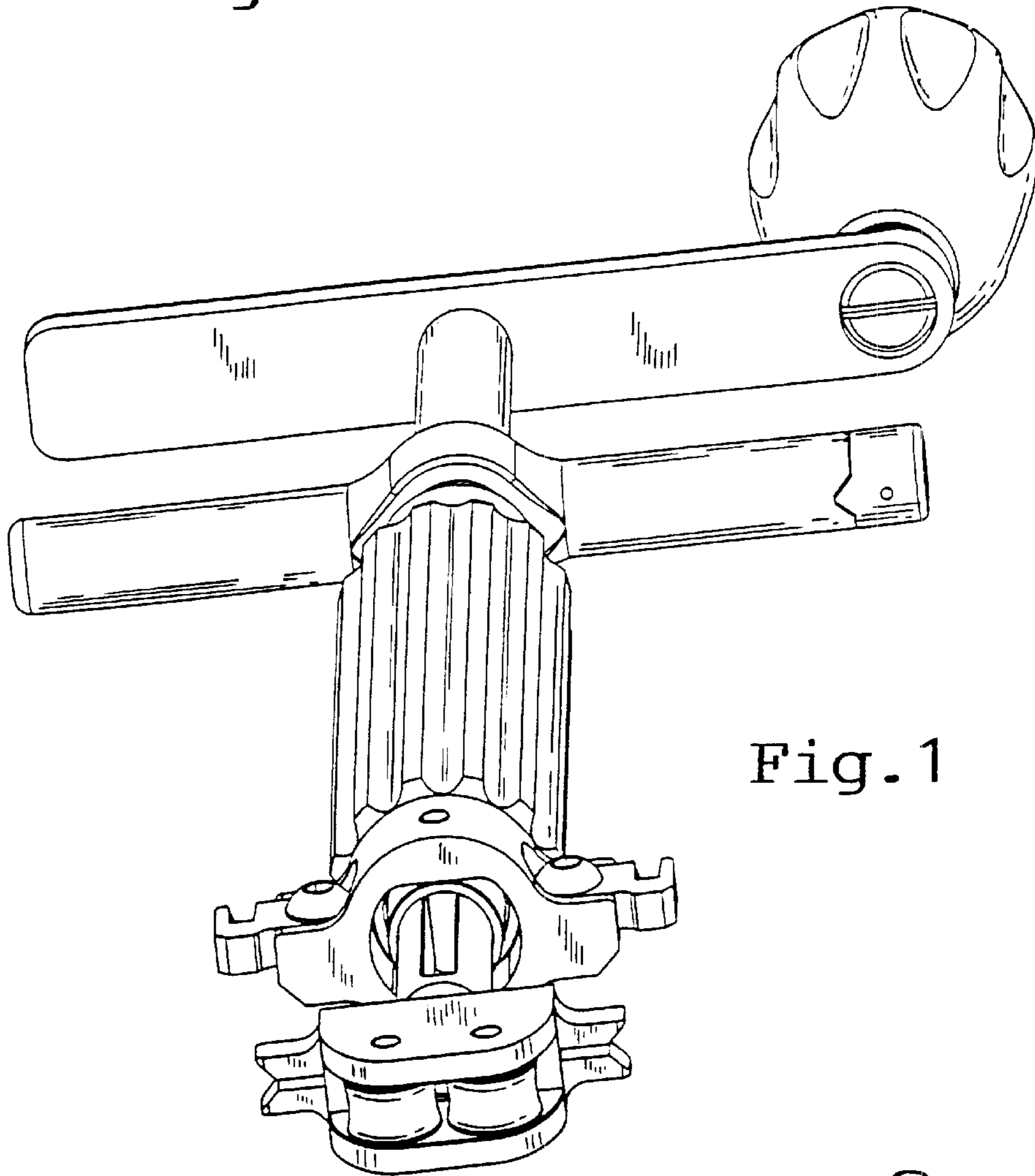


Fig. 1

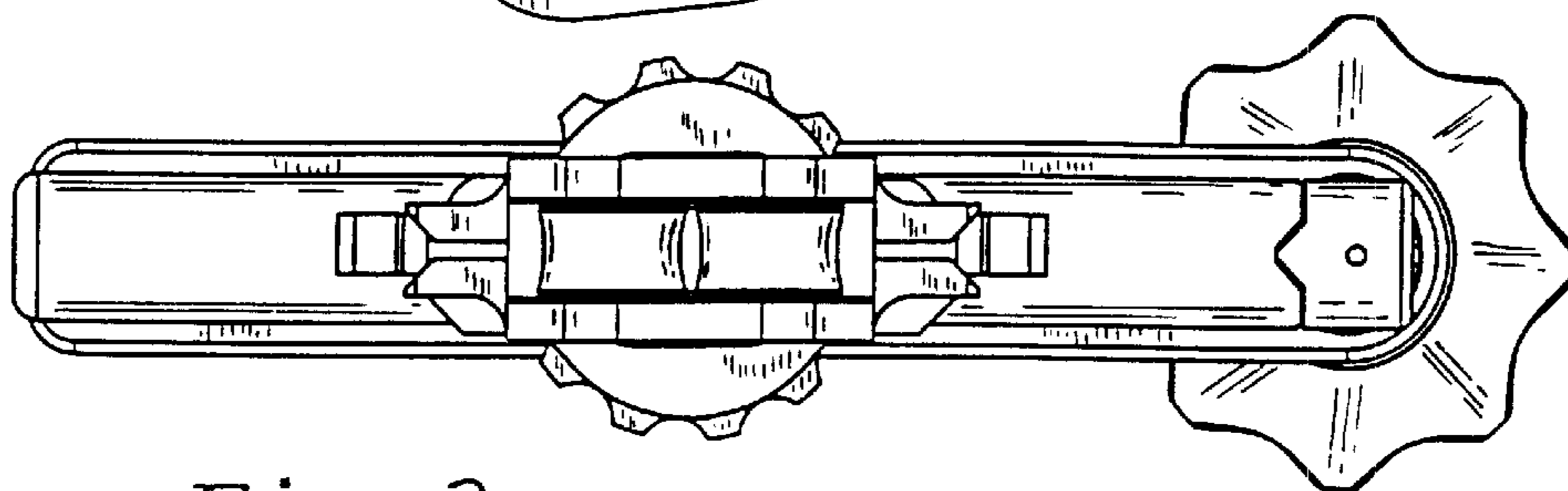
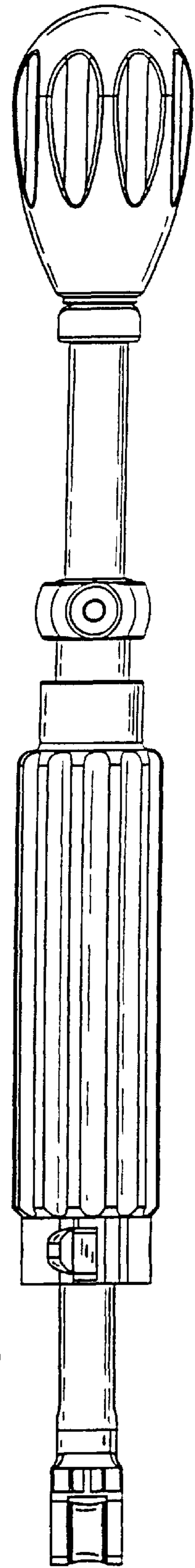
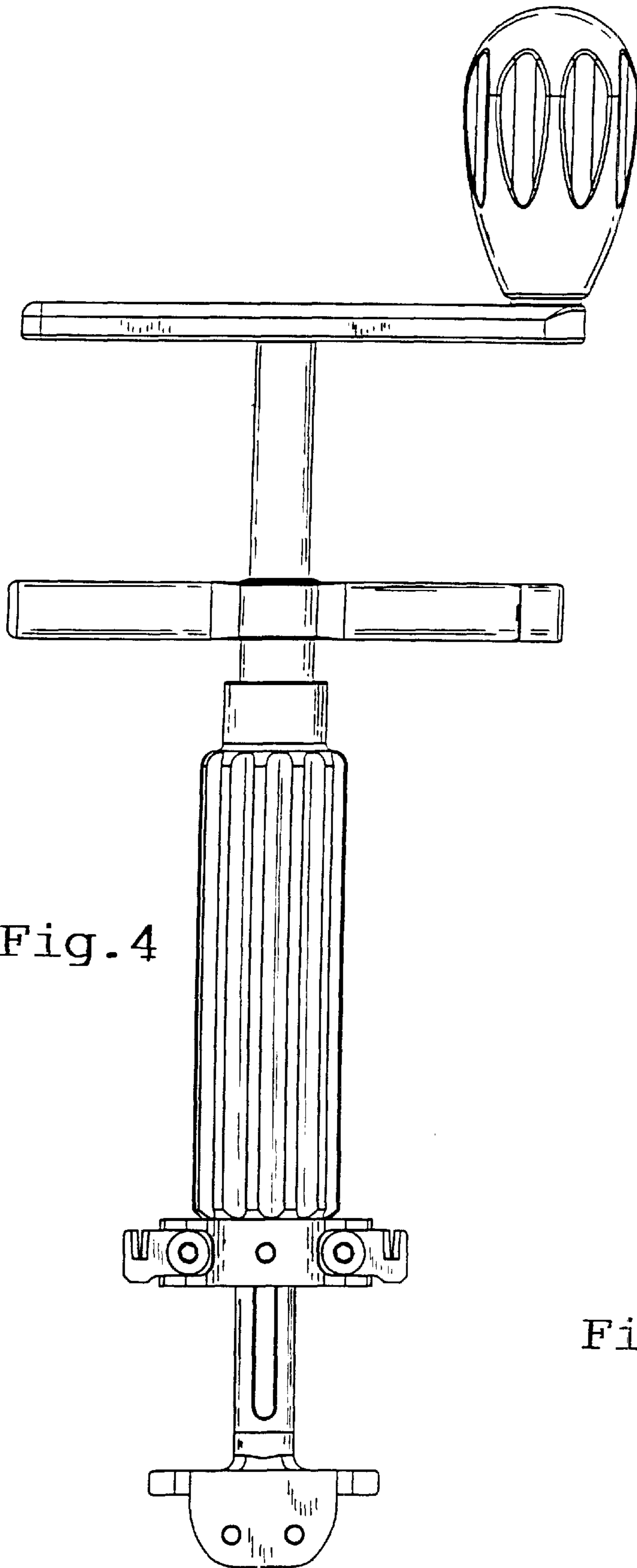
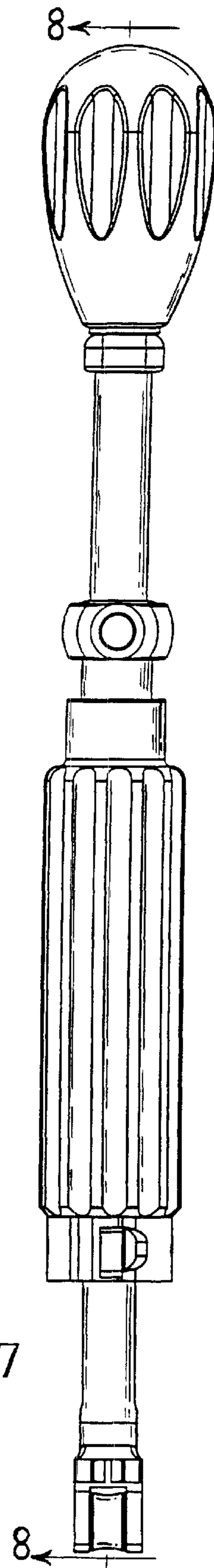
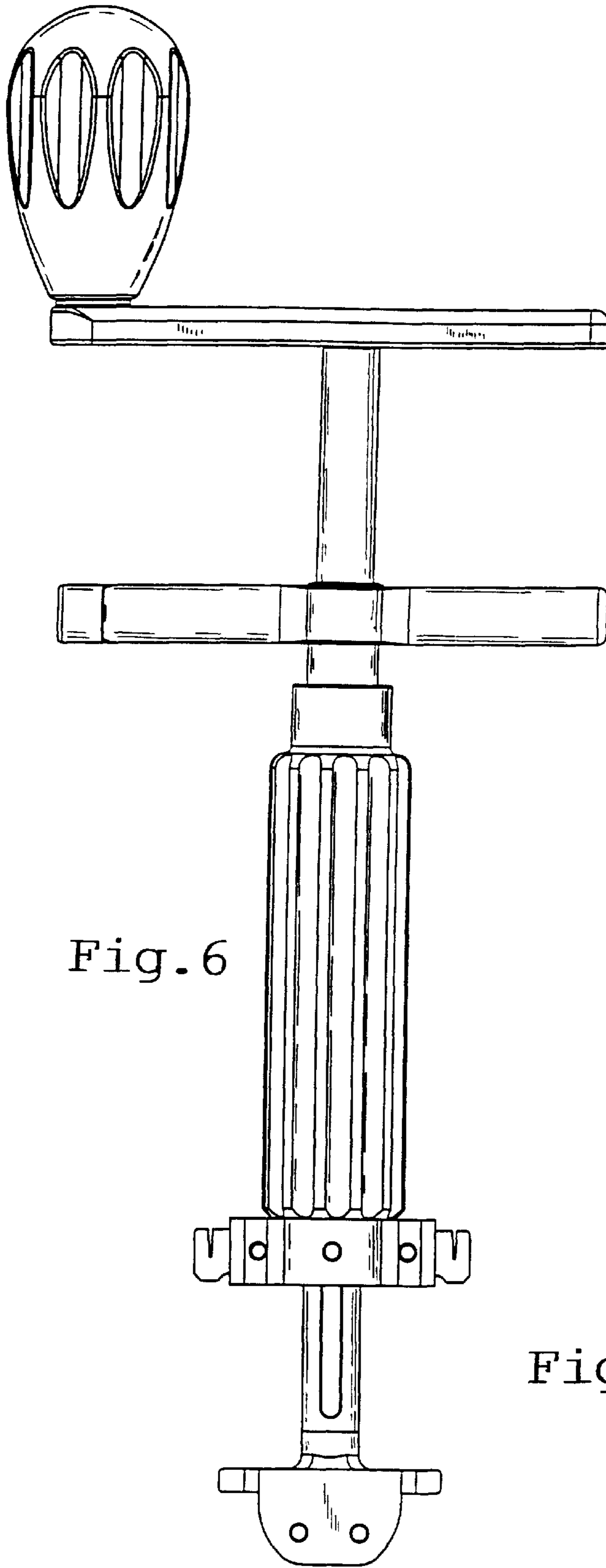


Fig. 3





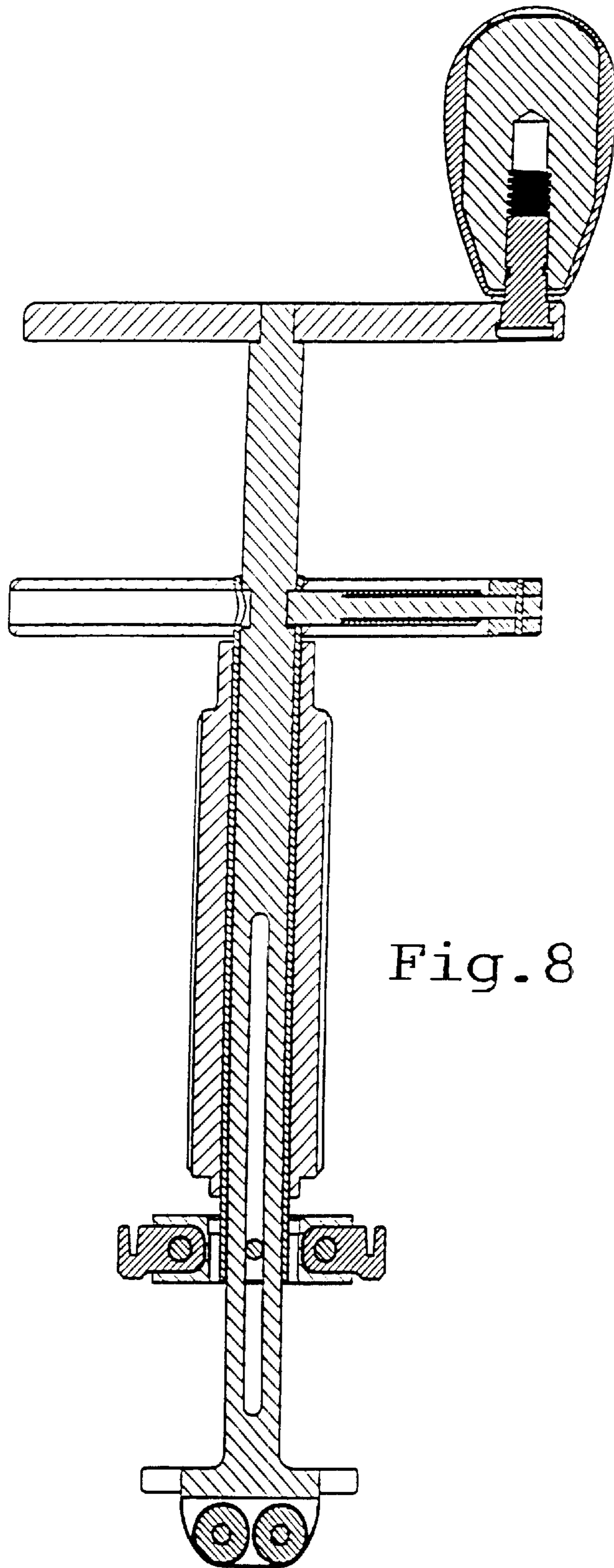


Fig. 8