



US00D476078S

(12) **United States Design Patent**
Pavlu et al.

(10) **Patent No.: US D476,078 S**
(45) **Date of Patent: ** Jun. 17, 2003**

(54) **INJECTOR**

(75) Inventors: **Bohdan Pavlu**, Nacka (SE);
Carl-Göran Crafoord, Danderyd (SE);
Jonas Fridholm, Bromma (SE); **Hana
Himbert**, Bromma (SE); **Ulrika
Vejbrink**, Stockholm (SE); **Daniel
Höglund**, Stockholm (SE)

(73) Assignee: **Pharmacia AB**, Stockholm (SE)

(**) Term: **14 Years**

(21) Appl. No.: **29/168,617**

(22) Filed: **Oct. 7, 2002**

Related U.S. Application Data

(62) Division of application No. 29/152,494, filed on Dec. 26, 2001.

(30) **Foreign Application Priority Data**

Jun. 27, 2001 (SE) 01-1082

(51) **LOC (7) Cl.** **24-02**

(52) **U.S. Cl.** **D24/114; D24/112**

(58) **Field of Search** **D24/114, 112,
D24/113; 604/198, 135, 211, 263, 264,
134, 207, 205, 65, 208, 232**

(56) **References Cited**

U.S. PATENT DOCUMENTS

D351,465 S	10/1994	Stringer et al.	
D351,466 S	10/1994	Stringer et al.	
5,536,249 A	7/1996	Castellano et al.	
D380,827 S	7/1997	Stringer et al.	
5,728,074 A *	3/1998	Castellano et al. 604/207
D453,569 S	2/2002	Himbert	
D455,209 S *	4/2002	Himbert D24/114

* cited by examiner

Primary Examiner—Ian Simmons

(74) *Attorney, Agent, or Firm*—Young & Thompson

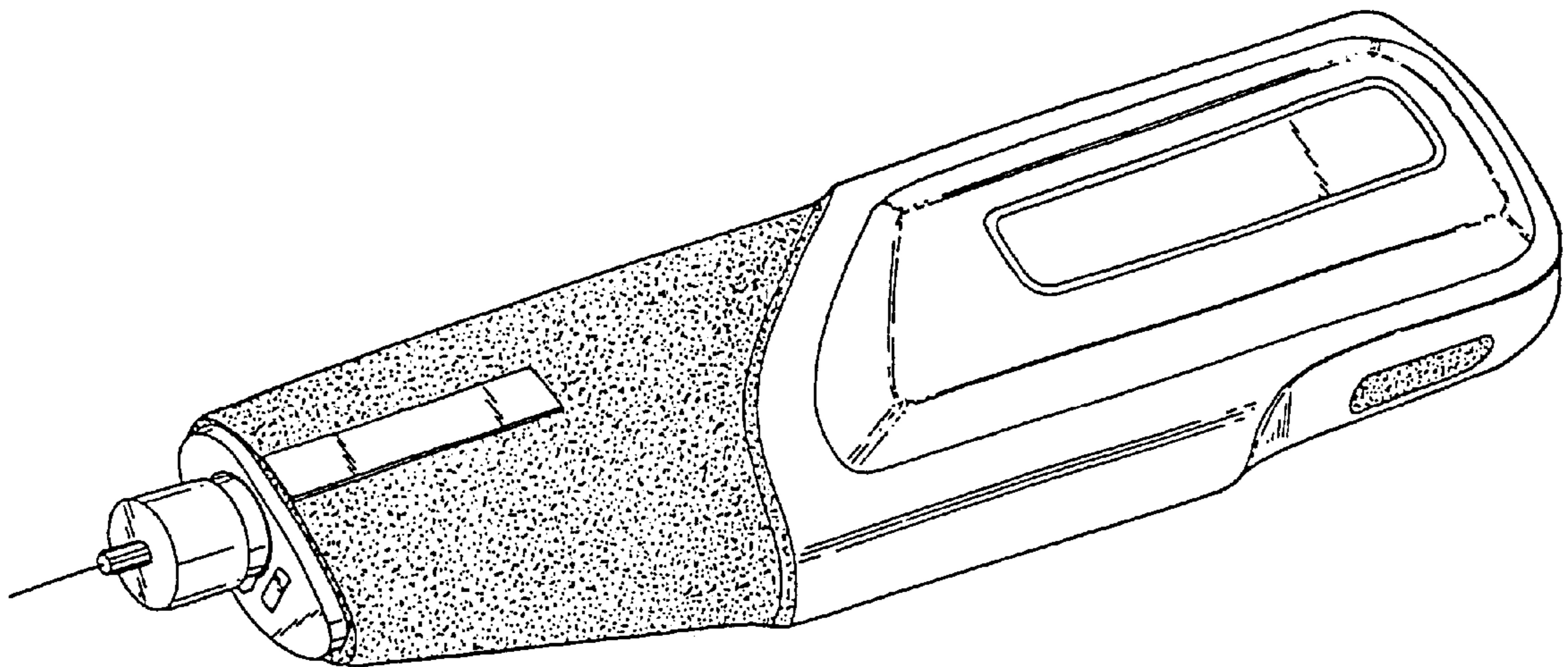
(57) **CLAIM**

The ornamental design for an injector, as shown.

DESCRIPTION

FIG. 1 is a left side perspective view of an injector seen slightly from below, showing our new design; FIG. 2 is a right side elevational view thereof; FIG. 3 is a left side elevational view thereof; FIG. 4 is a top plan view thereof; FIG. 5 is a bottom plan view thereof; FIG. 6 is a rear view thereof; and, FIG. 7 is a front view thereof.

1 Claim, 3 Drawing Sheets



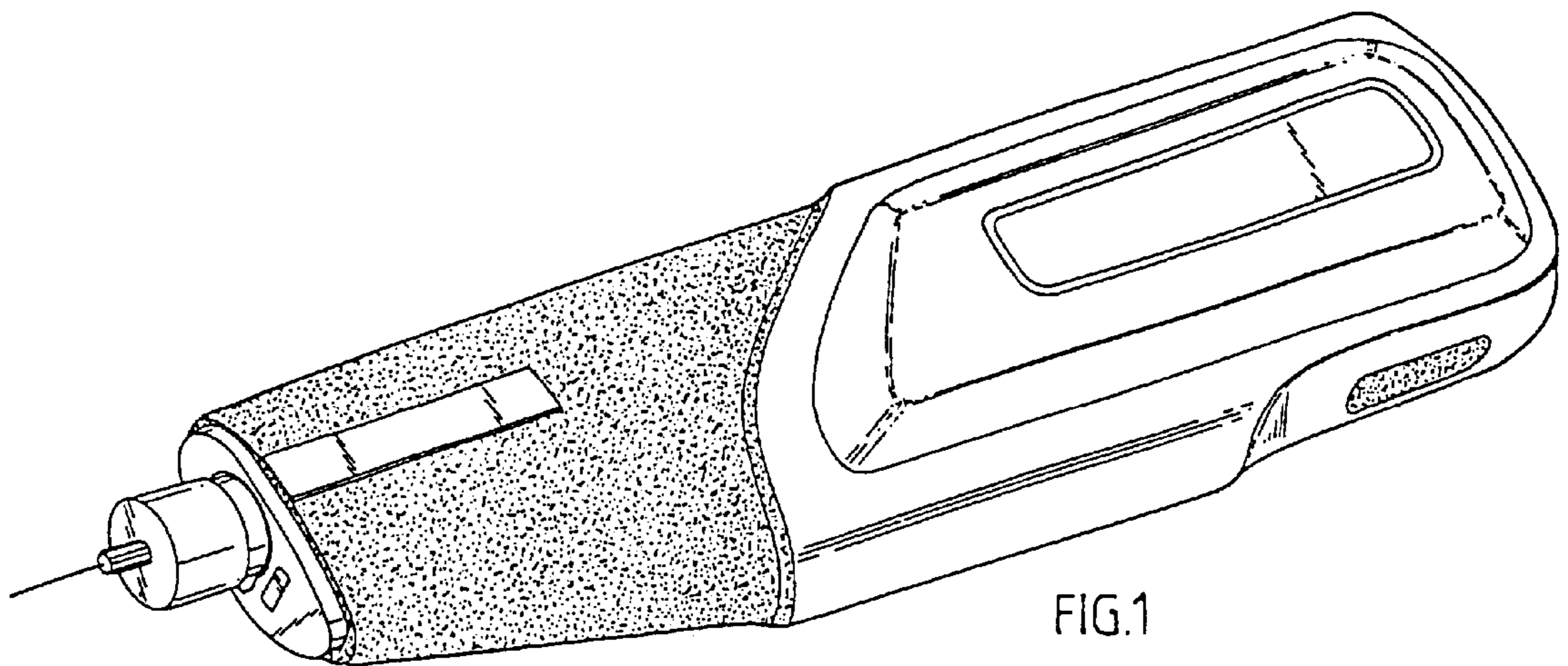


FIG. 1

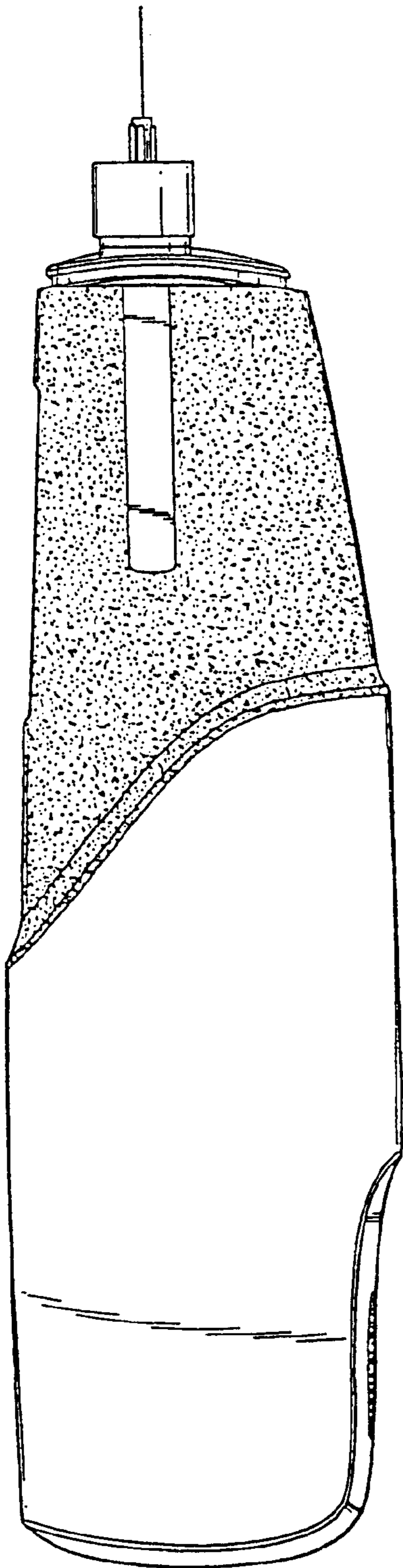


FIG. 2

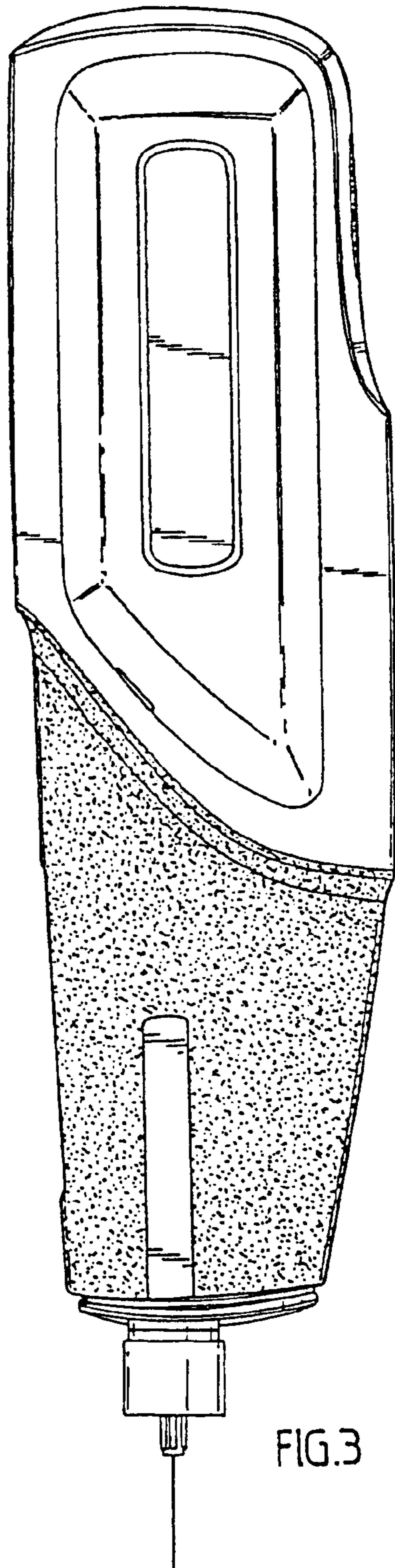


FIG. 3

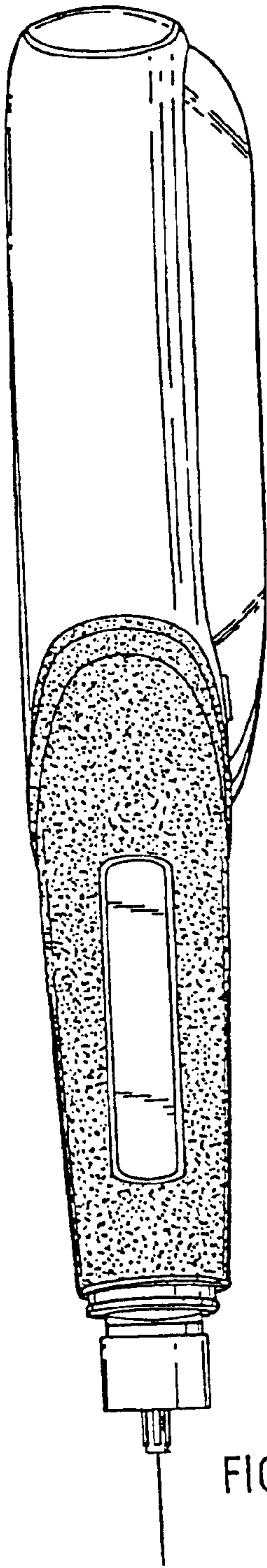


FIG. 4

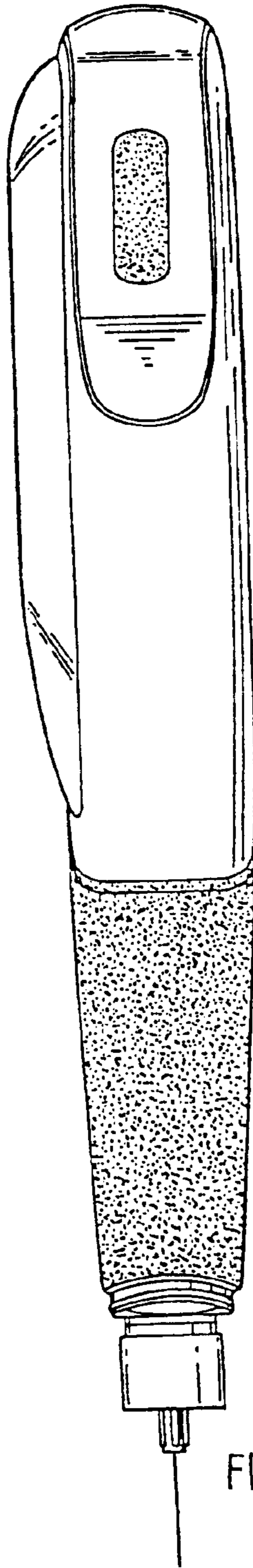


FIG. 5

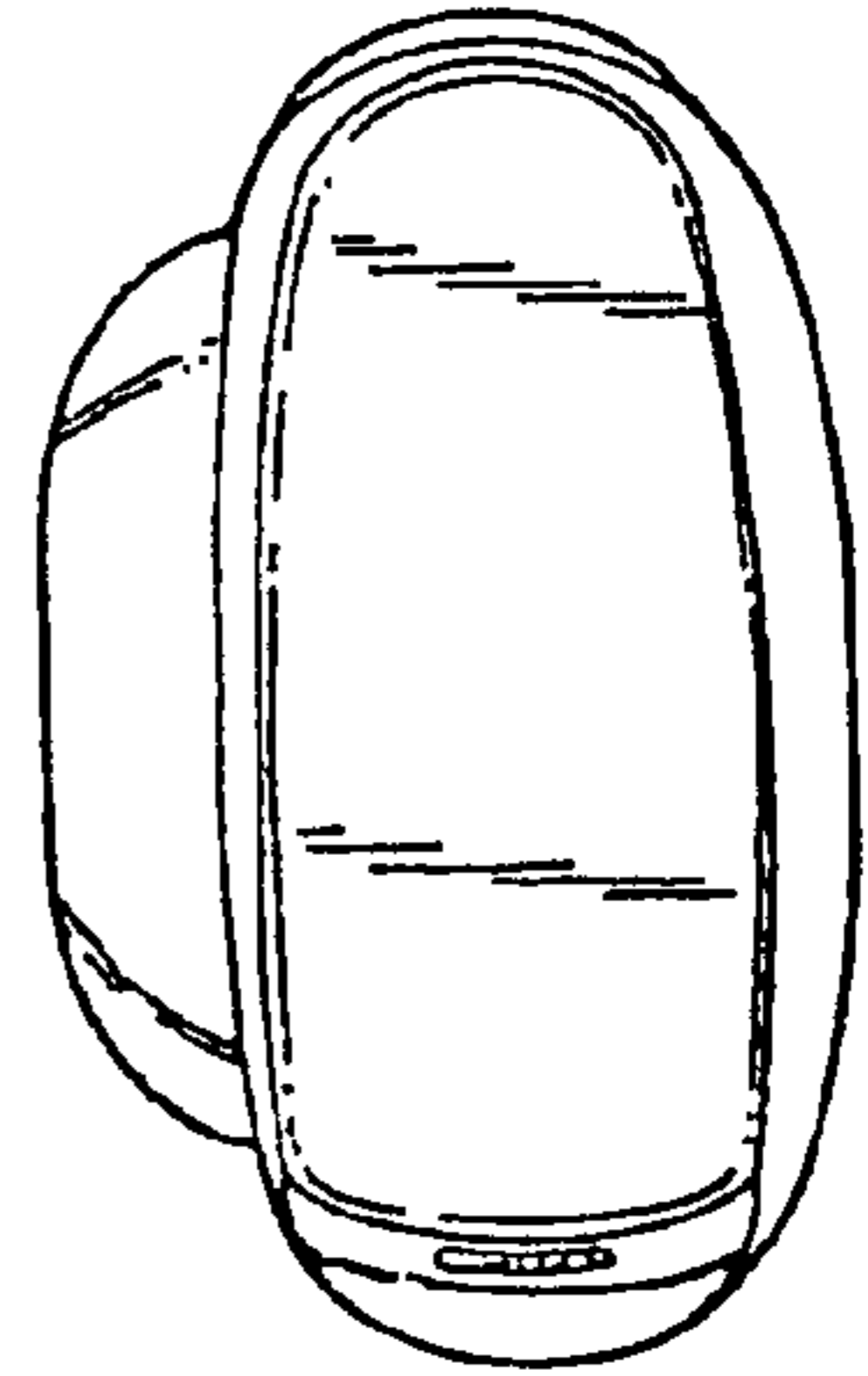


FIG. 6

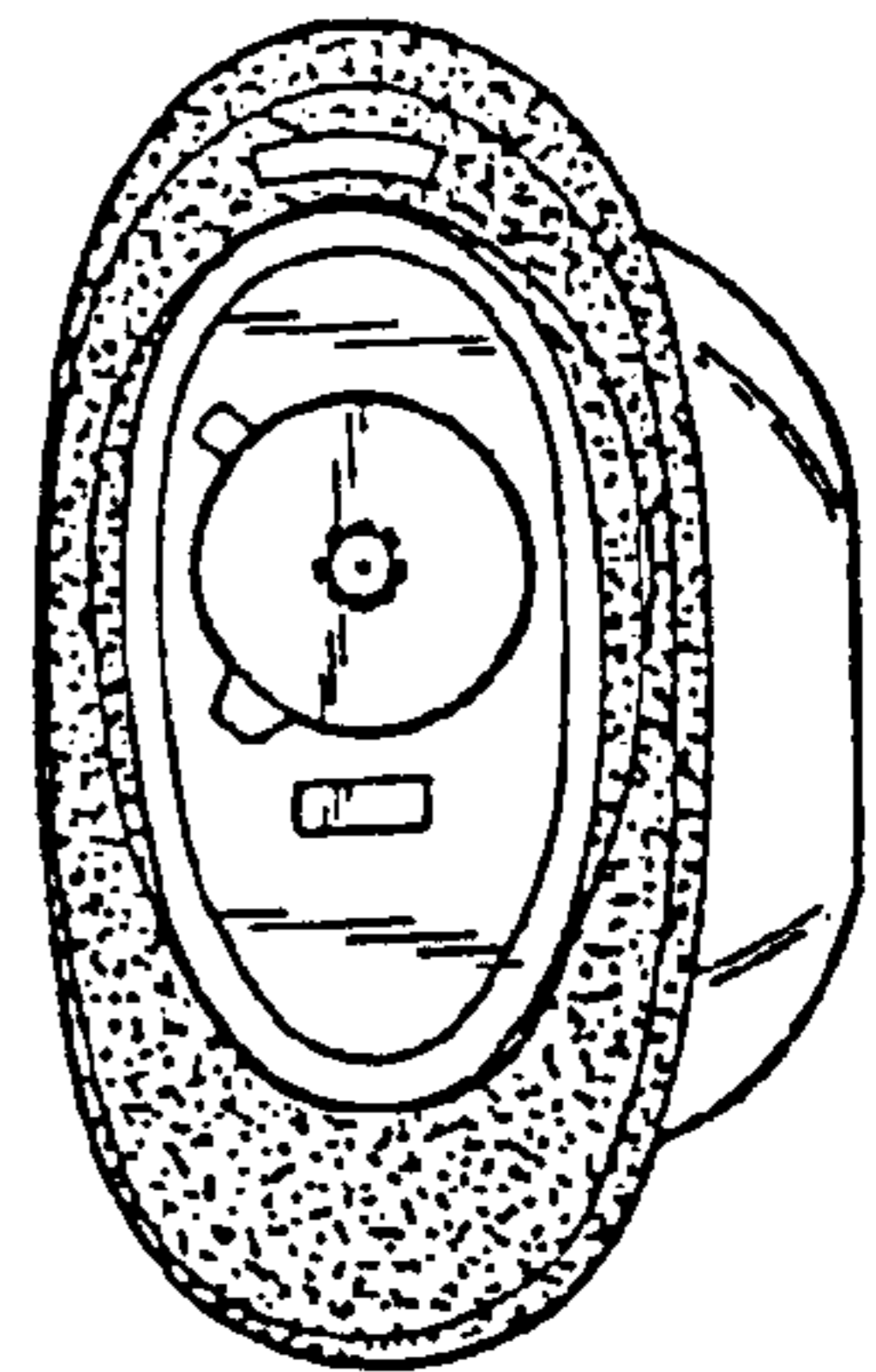


FIG. 7