



US00D476072S

(12) **United States Design Patent**  
**Wagner**

(10) **Patent No.:** **US D476,072 S**  
(45) **Date of Patent:** **\*\* Jun. 17, 2003**

(54) **COOLING DEVICE**

(75) Inventor: **Guy R. Wagner**, Loveland, CO (US)

(73) Assignee: **Agilent Technologie,s Inc.**, Palo Alto, CA (US)

(\*\*) Term: **14 Years**

(21) Appl. No.: **29/149,813**

(22) Filed: **Oct. 17, 2001**

**Related U.S. Application Data**

(62) Division of application No. 29/125,793, filed on Jun. 29, 2000, now Pat. No. Des. 454,947.

(51) **LOC (7) Cl.** ..... **23-04**

(52) **U.S. Cl.** ..... **D23/370**

(58) **Field of Search** ..... D23/370, 379;  
415/176-178, 175, 211.2, 209.2

(56) **References Cited**

**U.S. PATENT DOCUMENTS**

D326,080 S \* 5/1992 Vartiala ..... D12/214

5,700,129 A \* 12/1997 Kocian ..... 415/176  
D403,755 S \* 1/1999 Liang ..... D23/370  
5,910,694 A \* 6/1999 Yokozawa et al. .... 415/176

\* cited by examiner

*Primary Examiner*—Lisa Lichtenstein

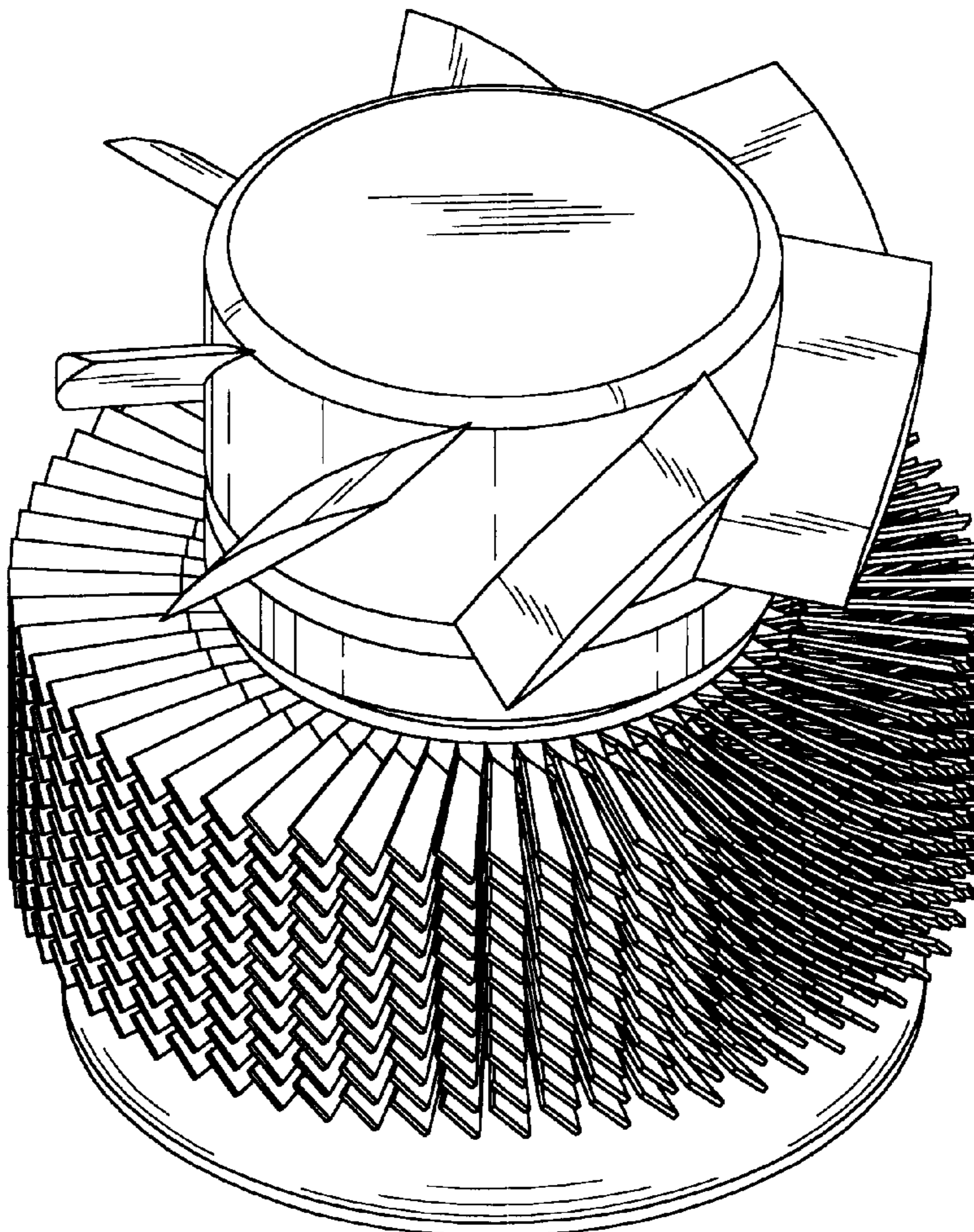
(57) **CLAIM**

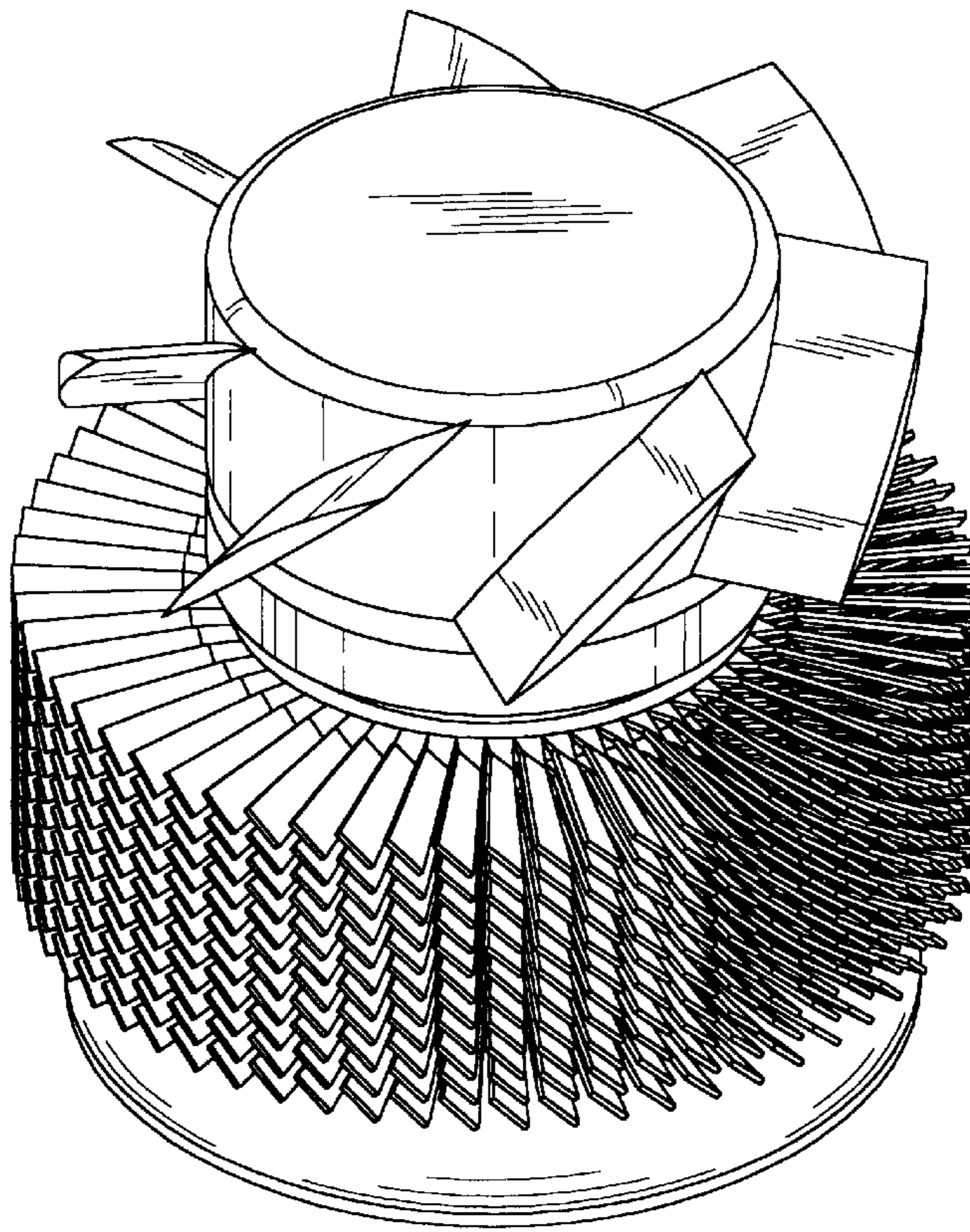
The ornamental design for a cooling device, as shown and described.

**DESCRIPTION**

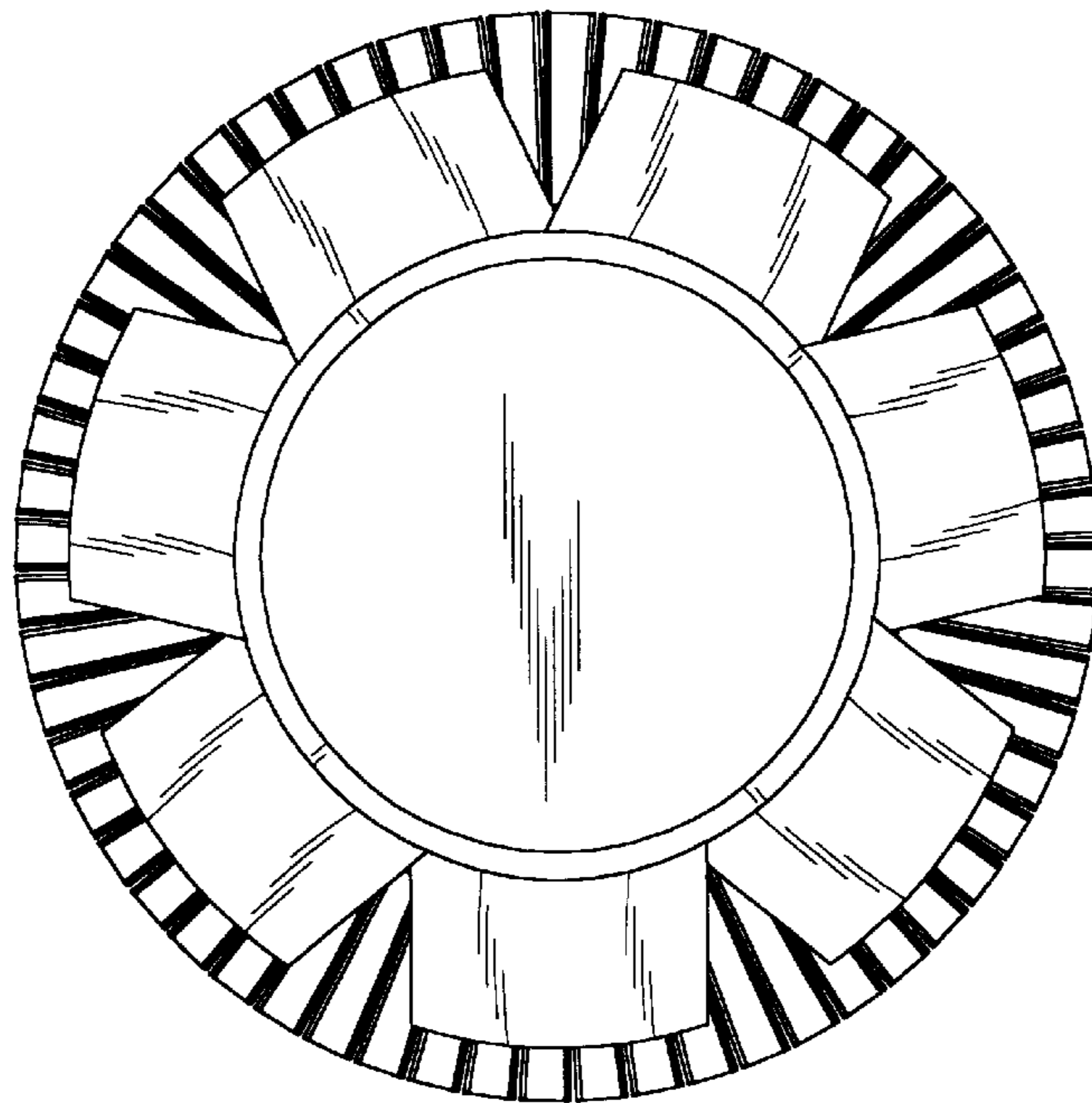
FIG. 1 is a top, front, front perspective view of a cooling device showing my new design having a fan located thereon; FIG. 2 is a top plan view thereof, the bottom plan view is not shown as it is flat and unornamented; FIG. 3 is a left side elevation view thereof; FIG. 4 is a right side elevation view thereof; FIG. 5 is a front elevation view thereof; and, FIG. 6 is a rear elevation view thereof.

**1 Claim, 3 Drawing Sheets**

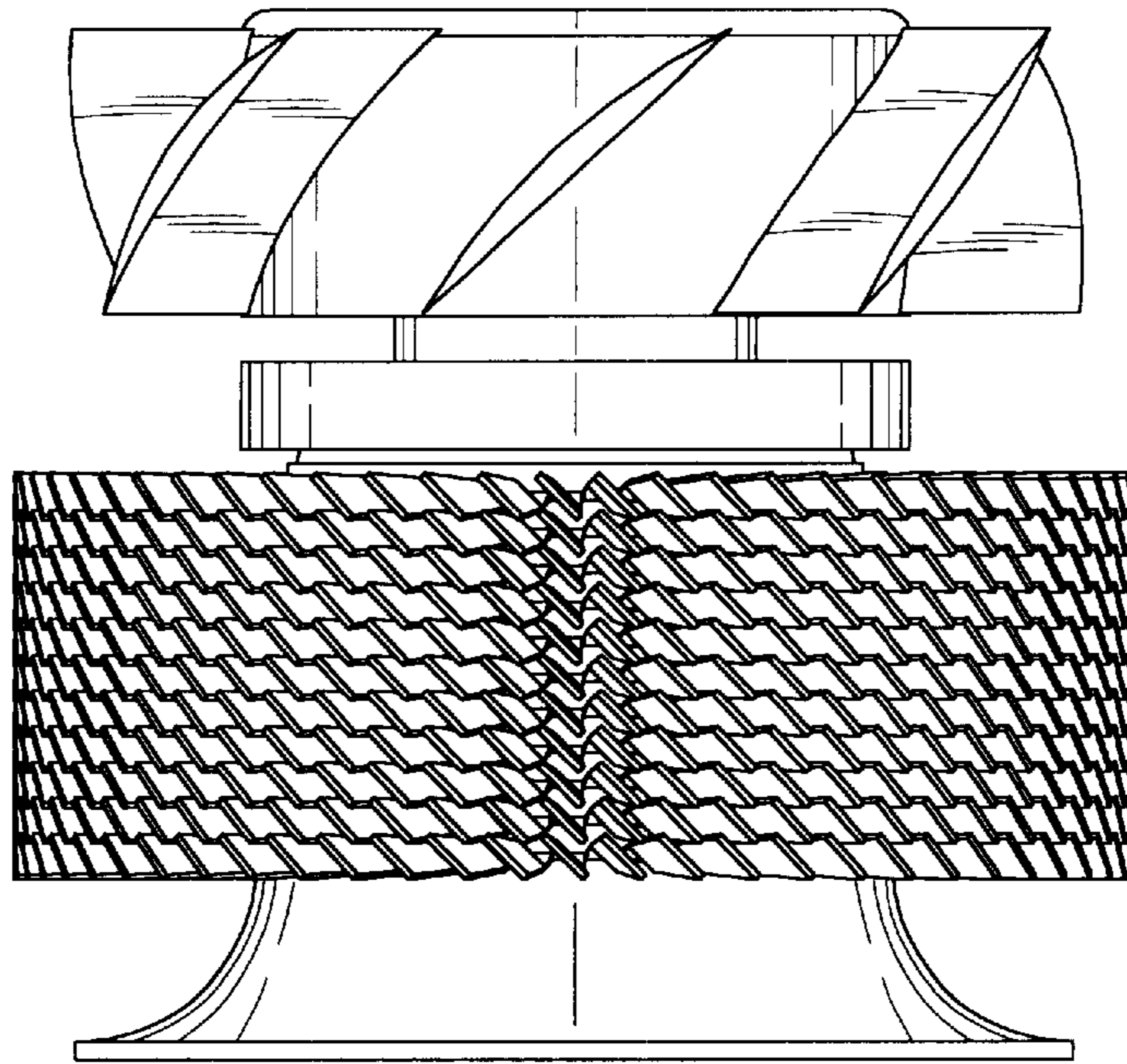




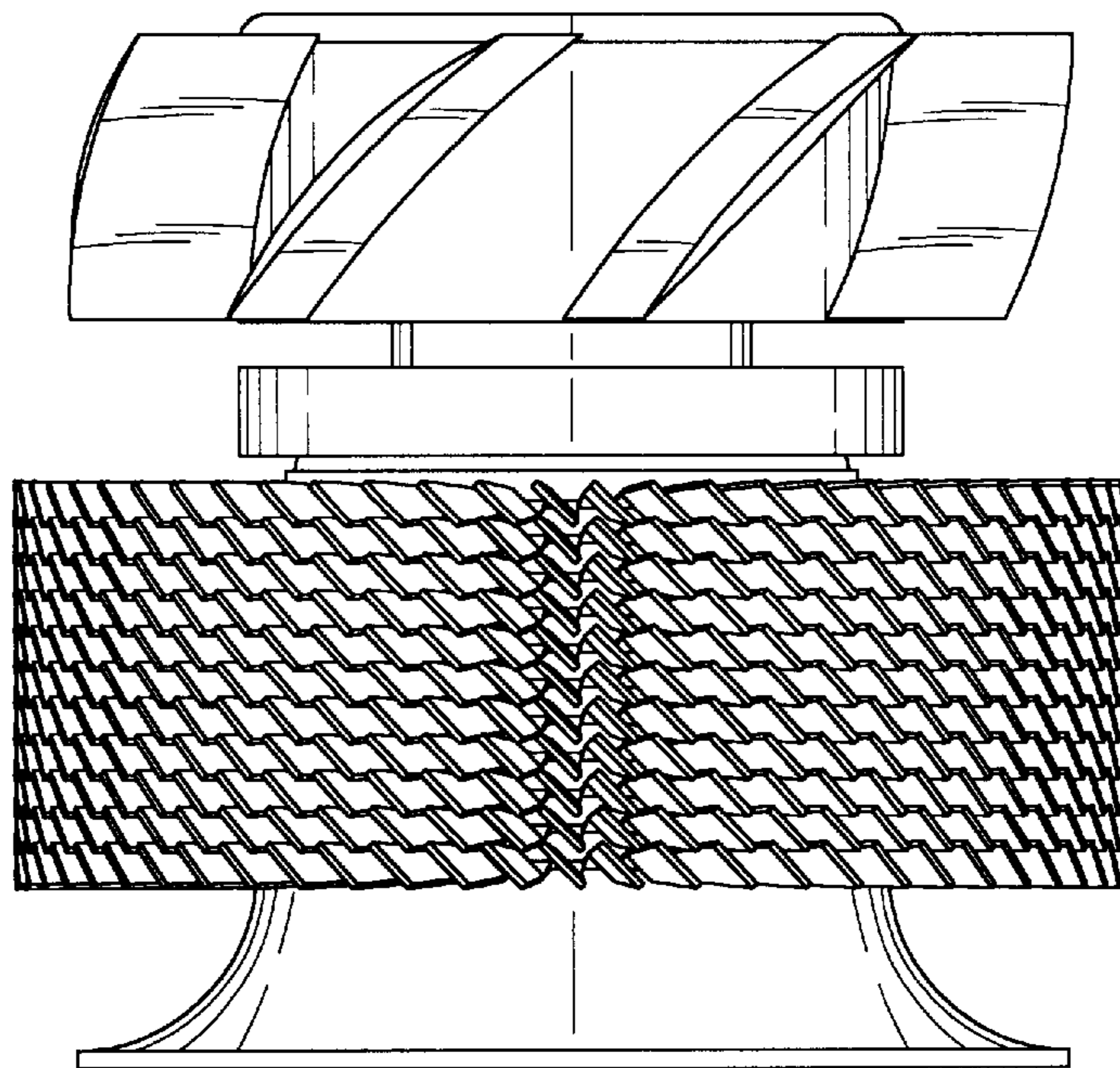
**FIG. 1**



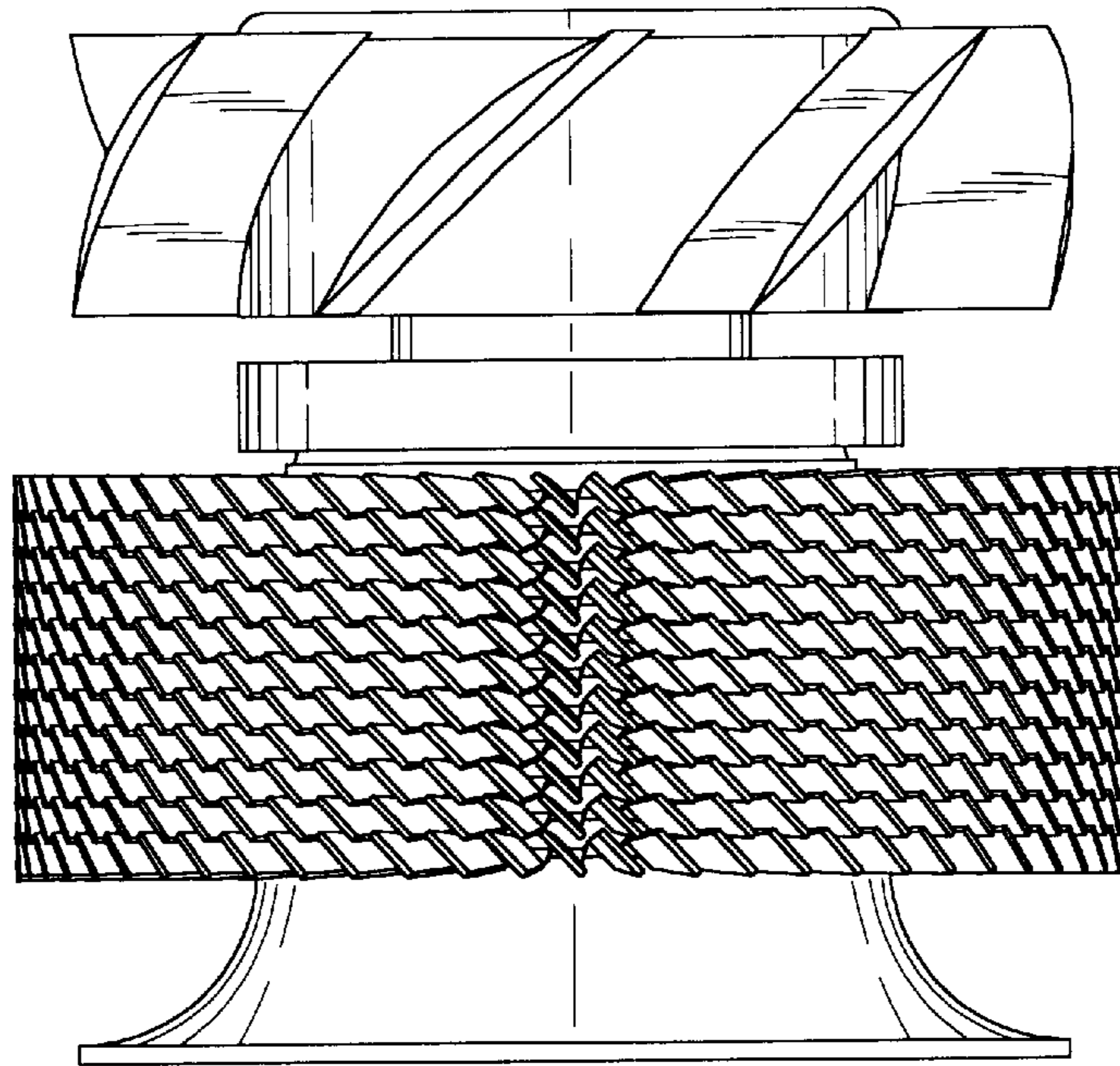
**FIG. 2**



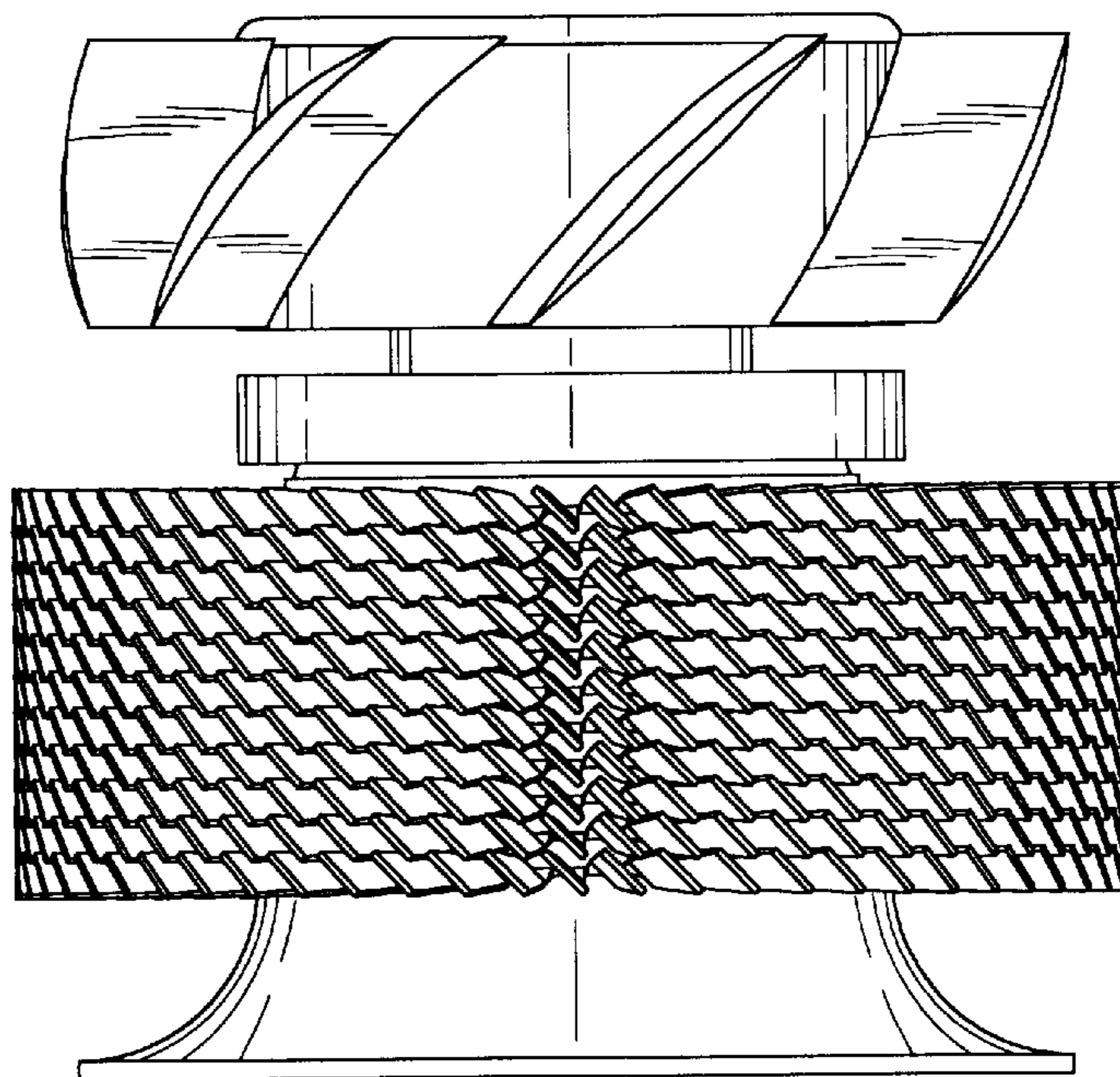
**FIG. 3**



**FIG. 4**



**FIG. 5**



**FIG. 6**