



US00D476069S

(12) **United States Design Patent**
O'Loughlin

(10) **Patent No.:** **US D476,069 S**

(45) **Date of Patent:** **** Jun. 17, 2003**

(54) **FRAGRANCE DISPENSER**

(75) Inventor: **Nicholas O'Loughlin**, Campsie (AU)

(73) Assignee: **Sunbeam Corporation Limited**,
Campsie (AU)

(**) Term: **14 Years**

(21) Appl. No.: **29/156,614**

(22) Filed: **Feb. 25, 2002**

(30) **Foreign Application Priority Data**

Aug. 29, 2001 (AU) 2739/2001

(51) **LOC (7) Cl.** **23-04**

(52) **U.S. Cl.** **D23/366**

(58) **Field of Search** D23/366-369,
D23/355, 356-363; 392/395, 392, 403,
405; 422/305; 239/135, 136, 58; 261/DIG. 17,
DIG. 65; 96/97

(56) **References Cited**

U.S. PATENT DOCUMENTS

D432,222 S * 10/2000 Rymer et al. D23/366

D433,744 S * 11/2000 Basaganas D23/366

D461,885 S * 8/2002 Jordi D23/366

* cited by examiner

Primary Examiner—Lisa Lichtenstein

(74) *Attorney, Agent, or Firm*—Townsend and Townsend
and Crew LLP

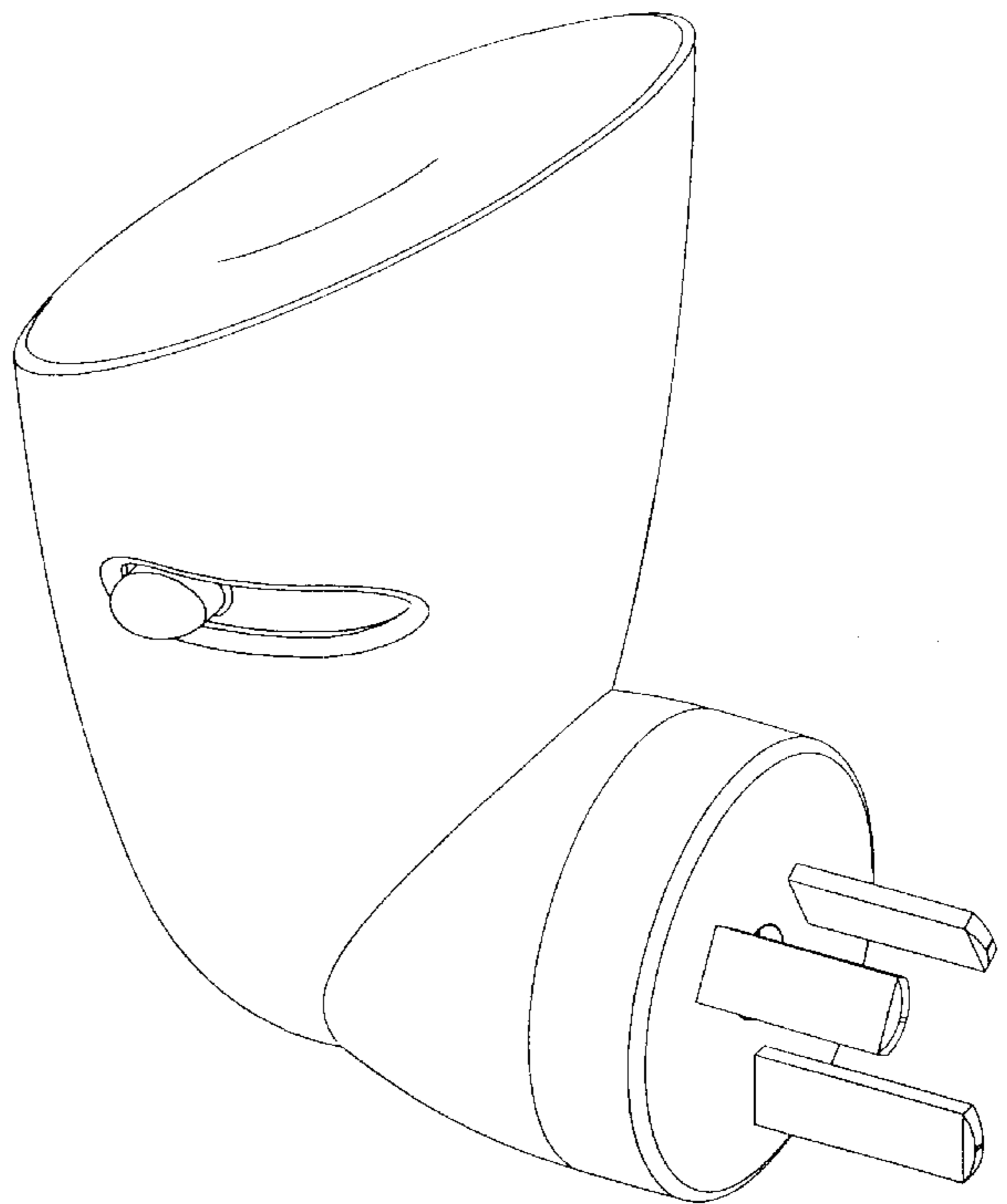
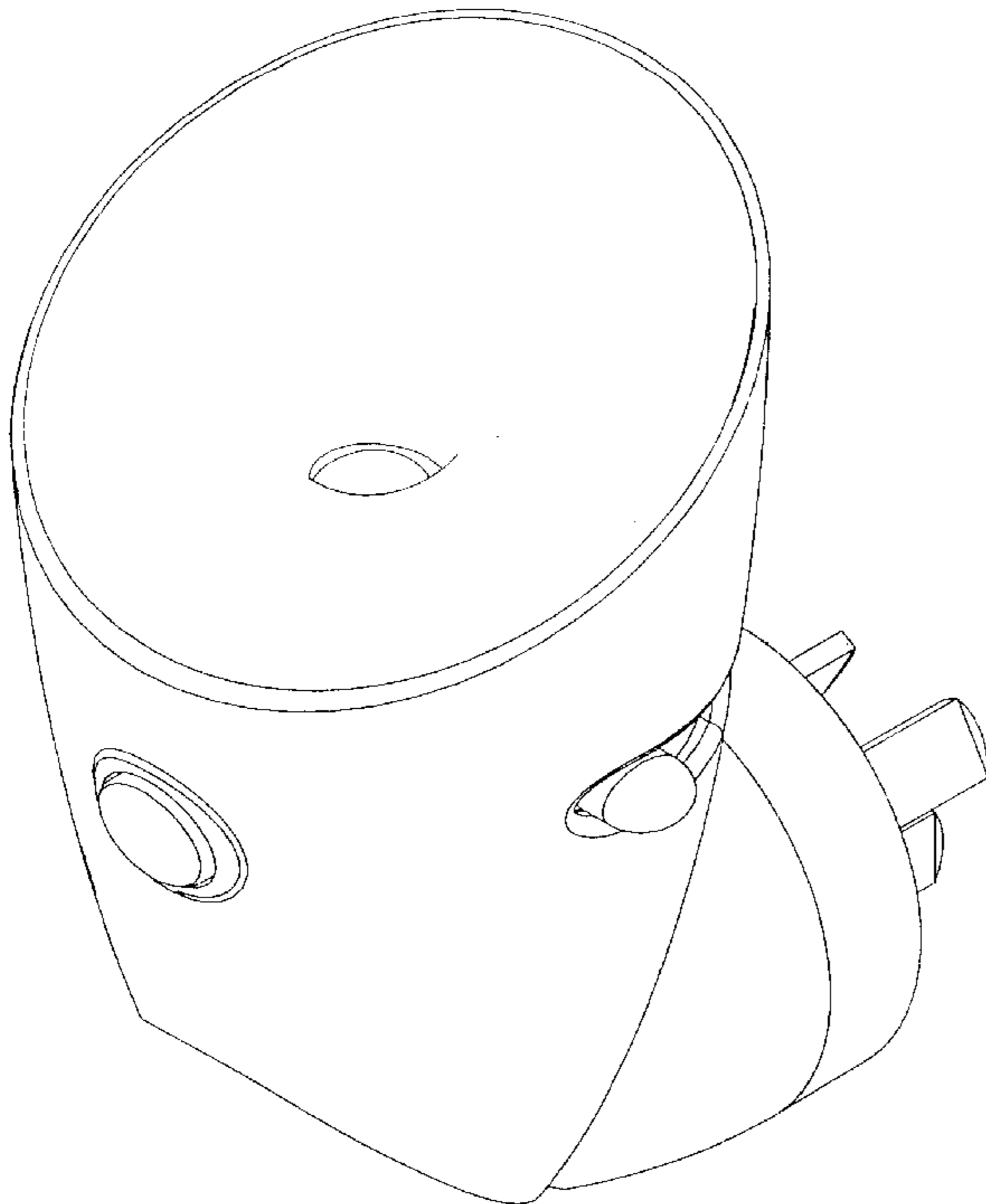
(57) **CLAIM**

The ornamental design a fragrance dispenser, as shown and
described herein.

DESCRIPTION

FIG. 1 is a front elevation view of my fragrance dispenser;
FIG. 2 is a rear elevation view thereof;
FIG. 3 is a right side view thereof;
FIG. 4 is a left side view thereof;
FIG. 5 is a top plan view thereof;
FIG. 6 is a bottom plan view thereof;
FIG. 7 is a front perspective view thereof; and,
FIG. 8 is a rear perspective thereof.

1 Claim, 8 Drawing Sheets



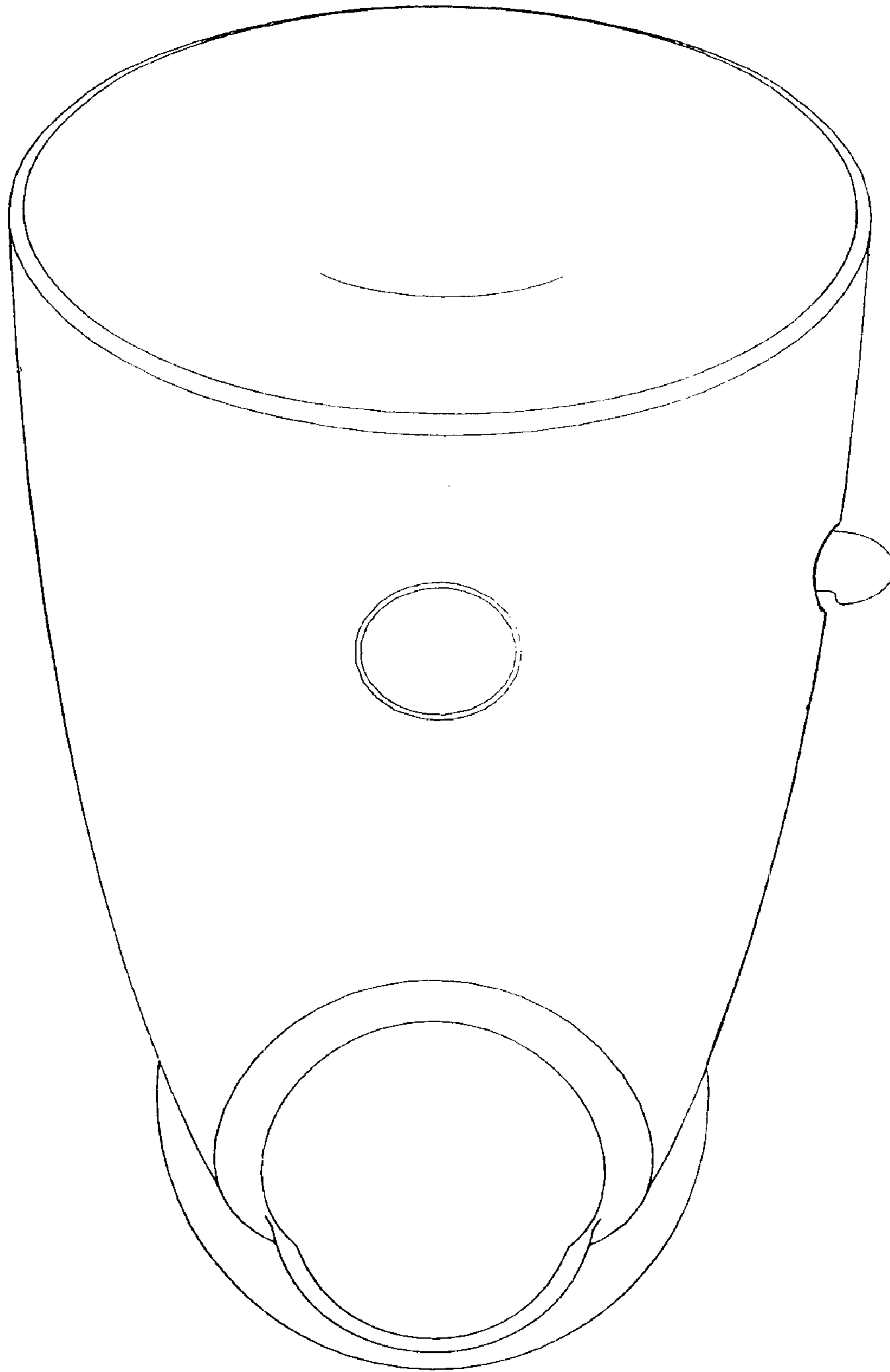


FIG. 1

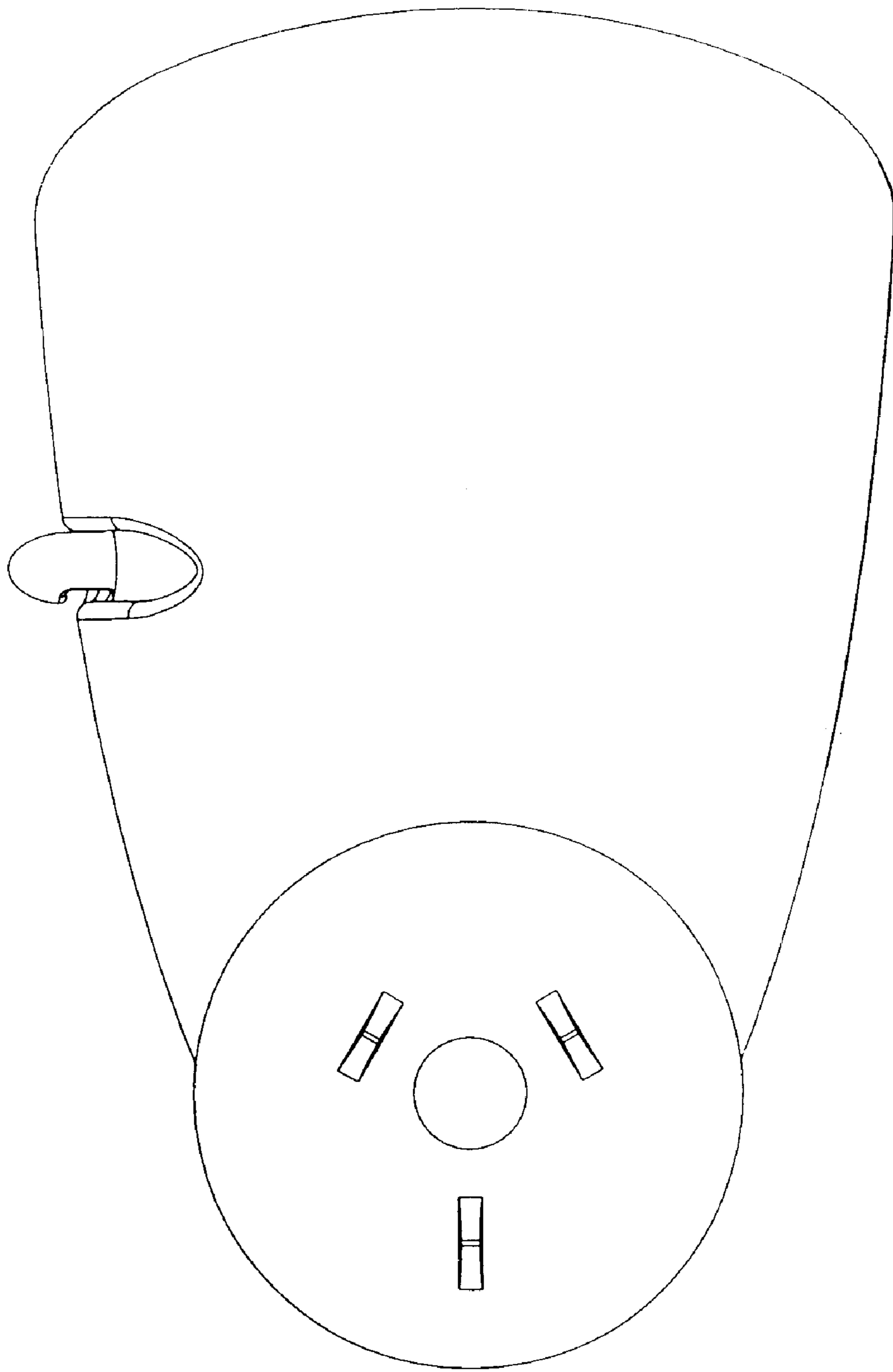


FIG. 2

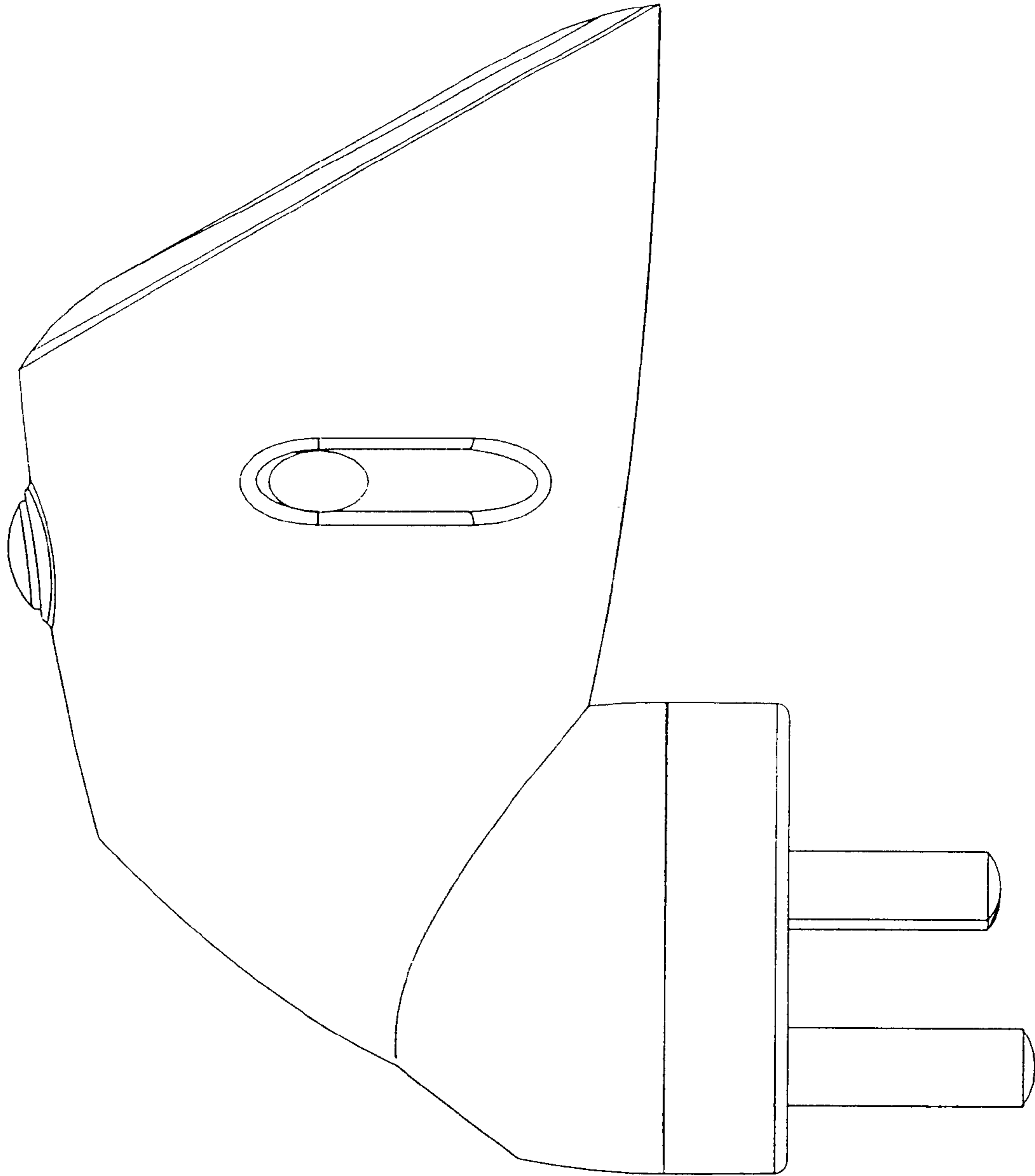


FIG. 3

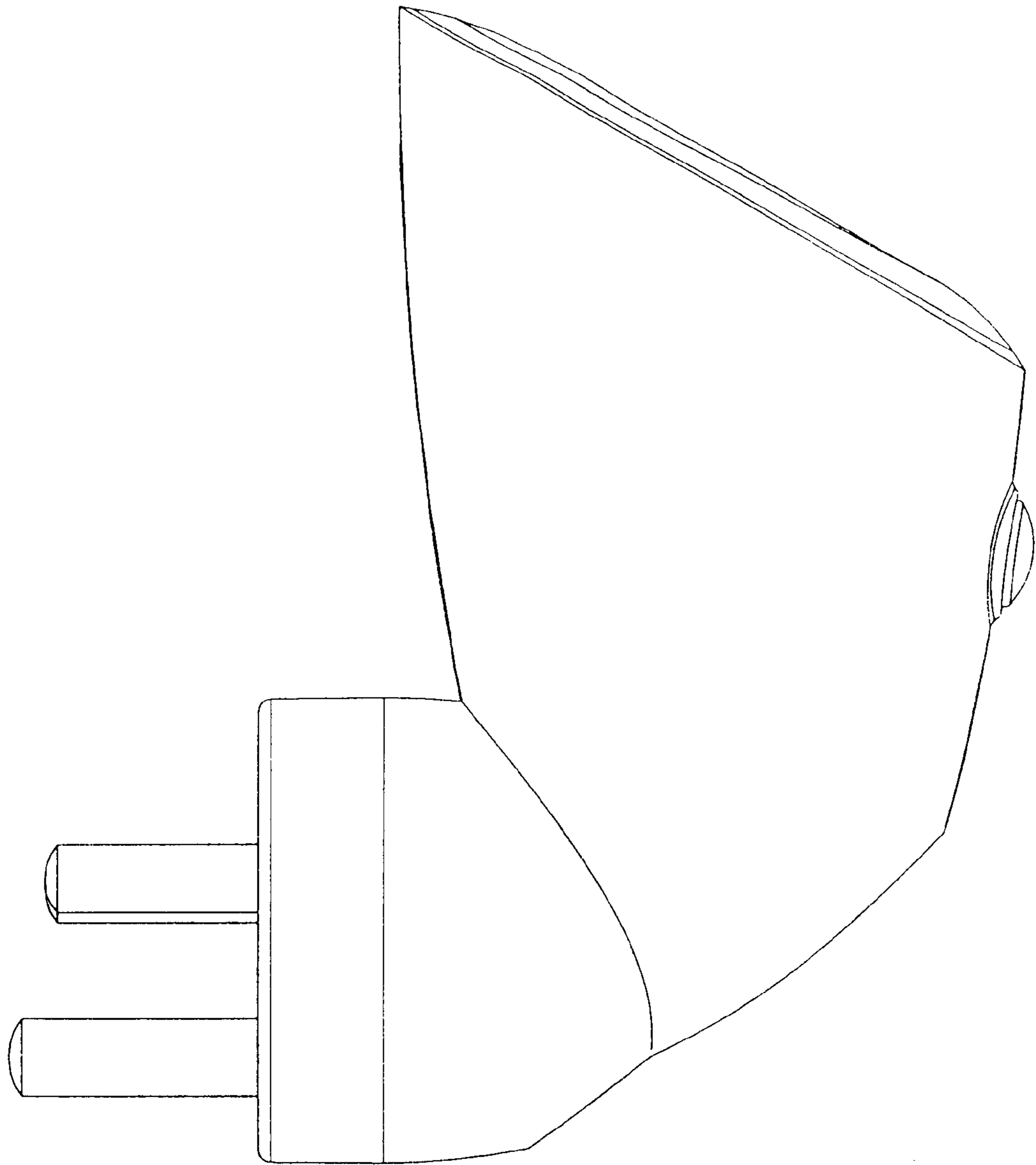


FIG. 4

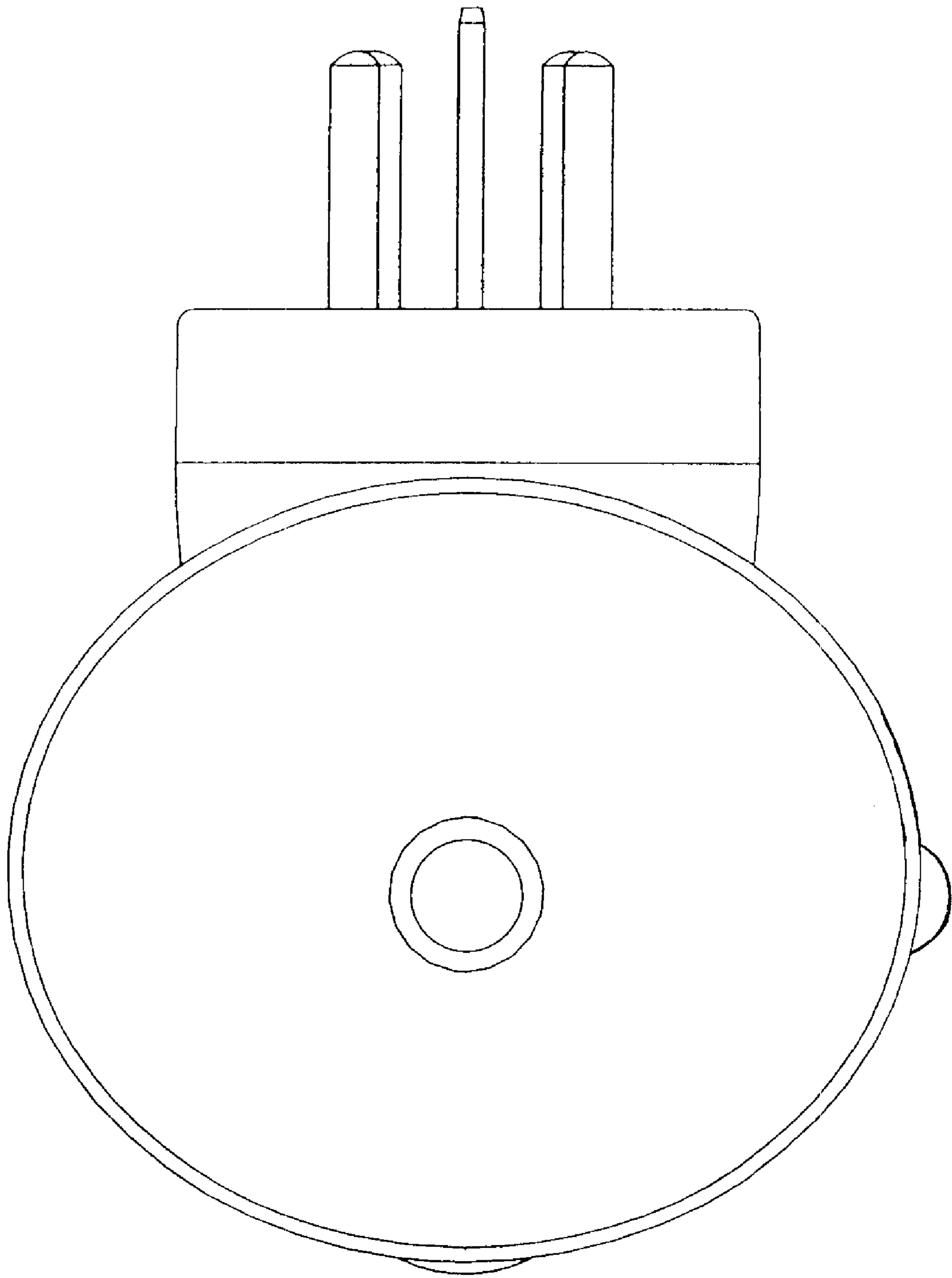


FIG. 5

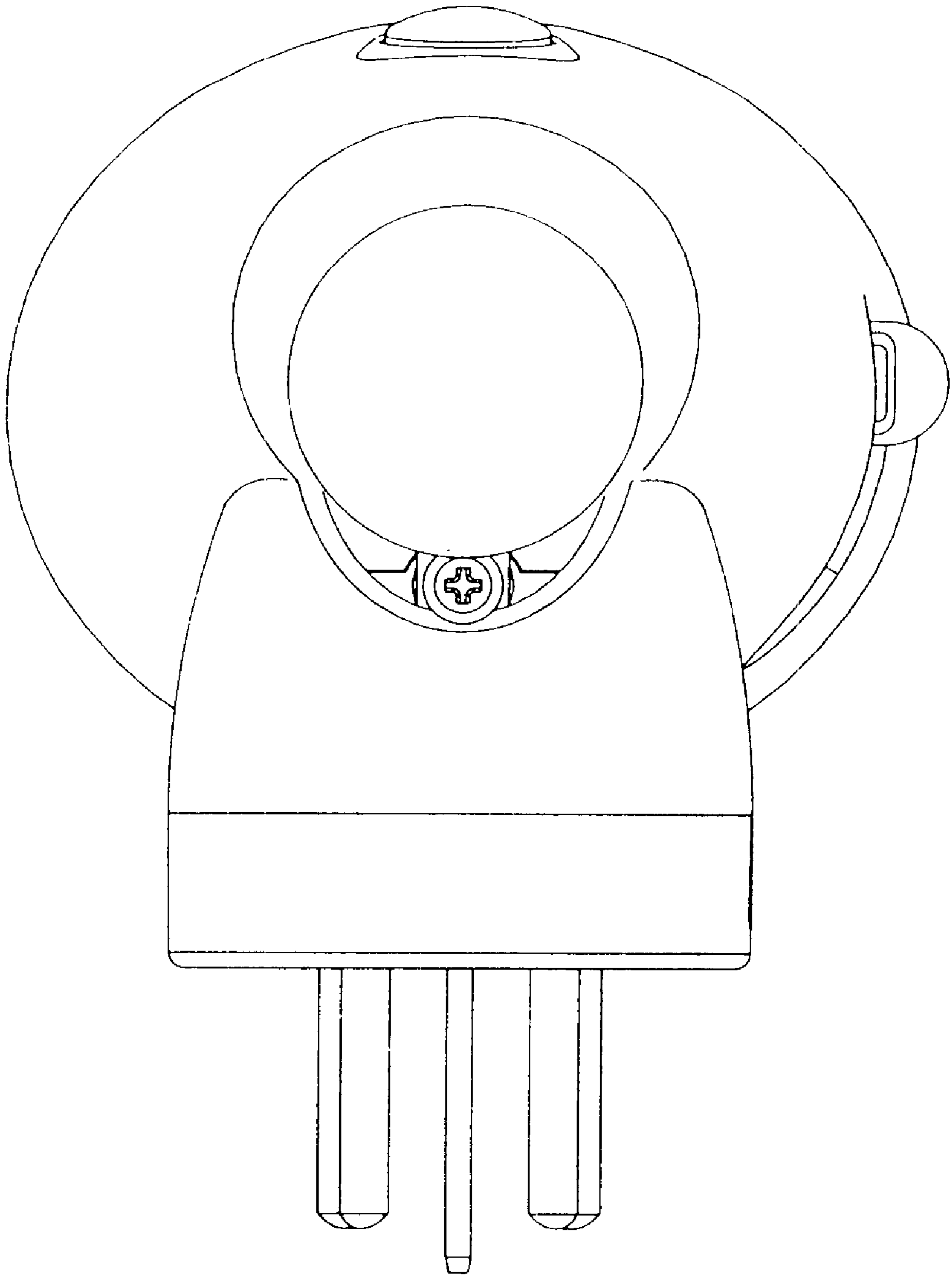


FIG. 6

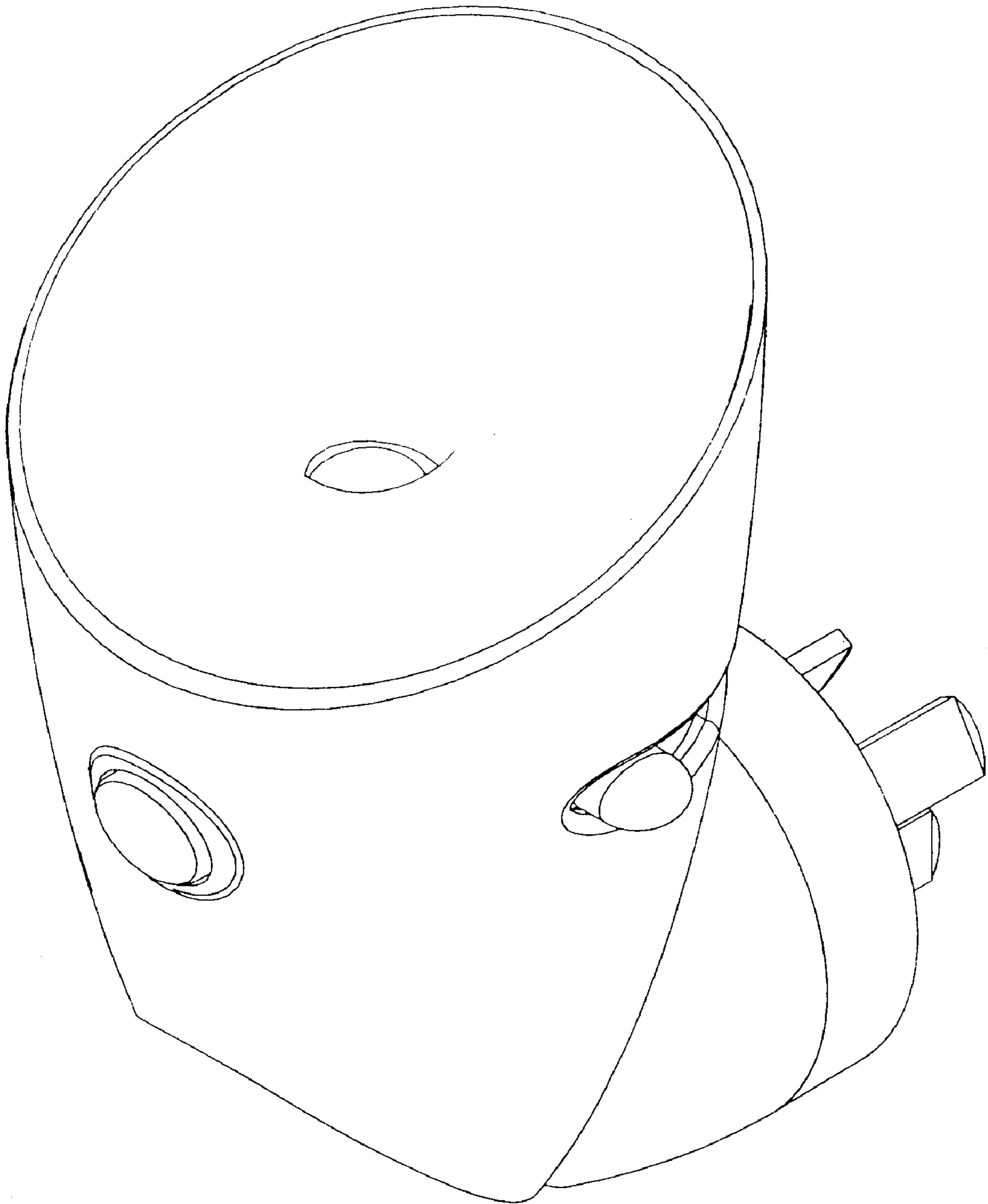


FIG. 7

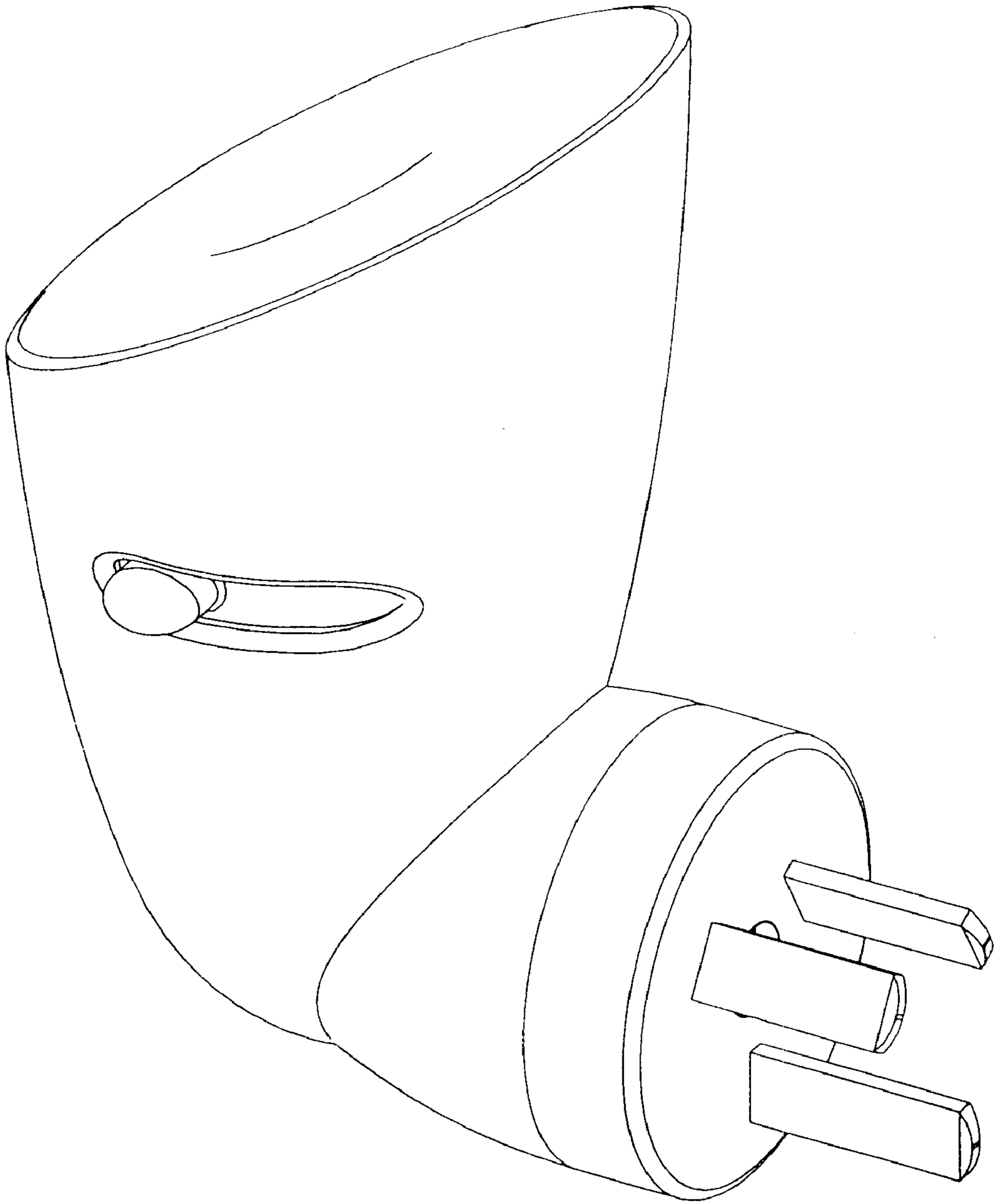


FIG. 8