



US00D476066S

(12) **United States Design Patent**  
**Genslak et al.**

(10) **Patent No.: US D476,066 S**

(45) **Date of Patent: \*\* Jun. 17, 2003**

(54) **FAUCET**

(75) Inventors: **Kristina J. Genslak**, Sheboygan, WI (US); **Thomas A. Bonnell**, Sheboygan, WI (US); **John K. Blomstrom**, Sheboygan Falls, WI (US); **Wyatt A. Cline**, Darville, IL (US)

(73) Assignee: **Kohler Co.**, Kohler, WI (US)

(\*\*) Term: **14 Years**

(21) Appl. No.: **29/152,458**

(22) Filed: **Dec. 19, 2001**

(51) **LOC (7) Cl. .... 23-01**

(52) **U.S. Cl. .... D23/255; D23/223**

(58) **Field of Search .... D23/238, 255, D23/223, 226, 239; 4/675-678; 137/801; 239/587.1, 462, 394**

(56) **References Cited**

**U.S. PATENT DOCUMENTS**

D337,810 S	*	7/1993	Bengston et al. ....	D23/223
D421,482 S	*	3/2000	Milrud et al. ....	D23/223
D432,626 S	*	10/2000	Tse .....	D23/223
D444,851 S		7/2001	Sturgen .....	D23/238
D445,871 S	*	7/2001	Fan .....	D23/223
D457,937 S	*	5/2002	Lindholm et al. ....	D23/223
D465,548 S	*	11/2002	Tse .....	D23/223

**OTHER PUBLICATIONS**

1985 catalog ad, supplier unknown, showing a hand held sprayer.

Undated Sterling catalog ad showing a hand held sprayer.

Undated Kohler catalog ad, p. 23, showing a K-258 oval handle inset.

\* cited by examiner

*Primary Examiner*—Louis S. Zarfaz  
*Assistant Examiner*—Gregory Andoll

(74) *Attorney, Agent, or Firm*—Quarles & Brady LLP

(57) **CLAIM**

The ornamental design for a faucet, as shown and described.

**DESCRIPTION**

In a preferred embodiment, the nature of this product is as a plumbing fixture in the form of a spray faucet primarily useful for washing various objects.

FIG. 1 is a left, bottom, front perspective view of a faucet embodying our new design;

FIG. 2 is a left side elevational view thereof, the right side elevational view being a mirror image of the left side shown;

FIG. 3 is a front elevational view thereof;

FIG. 4 is a rear elevational view thereof;

FIG. 5 is a top plan view thereof;

FIG. 6 is a bottom plan view thereof;

FIG. 7 is a left, bottom, front perspective view of a second embodiment;

FIG. 8 is a left side elevational view thereof, the right side elevational view being a mirror image of the left side shown;

FIG. 9 is a front elevational view thereof;

FIG. 10 is a rear elevational view thereof;

FIG. 11 is top plan view thereof;

FIG. 12 is a bottom plan view thereof;

FIG. 13 is a left, bottom, front perspective view of a third embodiment;

FIG. 14 is a left side elevational view thereof, the right side elevational view being a mirror image of the left side shown;

FIG. 15 is a front elevational view thereof;

FIG. 16 is a rear elevational view thereof;

FIG. 17 is a top plan view thereof; and,

FIG. 18 is a bottom plan view thereof.

The broken line representations of a button cap in FIGS. 1, 3, 7, 9, 13, and 15, of holes in FIGS. 1-3, 5-9, 11-15, and 17-18, and of a fitting in FIGS. 1-4, 6-10, 12-16, and 18, are for the purpose of illustration only, and form no part of the claimed design.

**1 Claim, 6 Drawing Sheets**

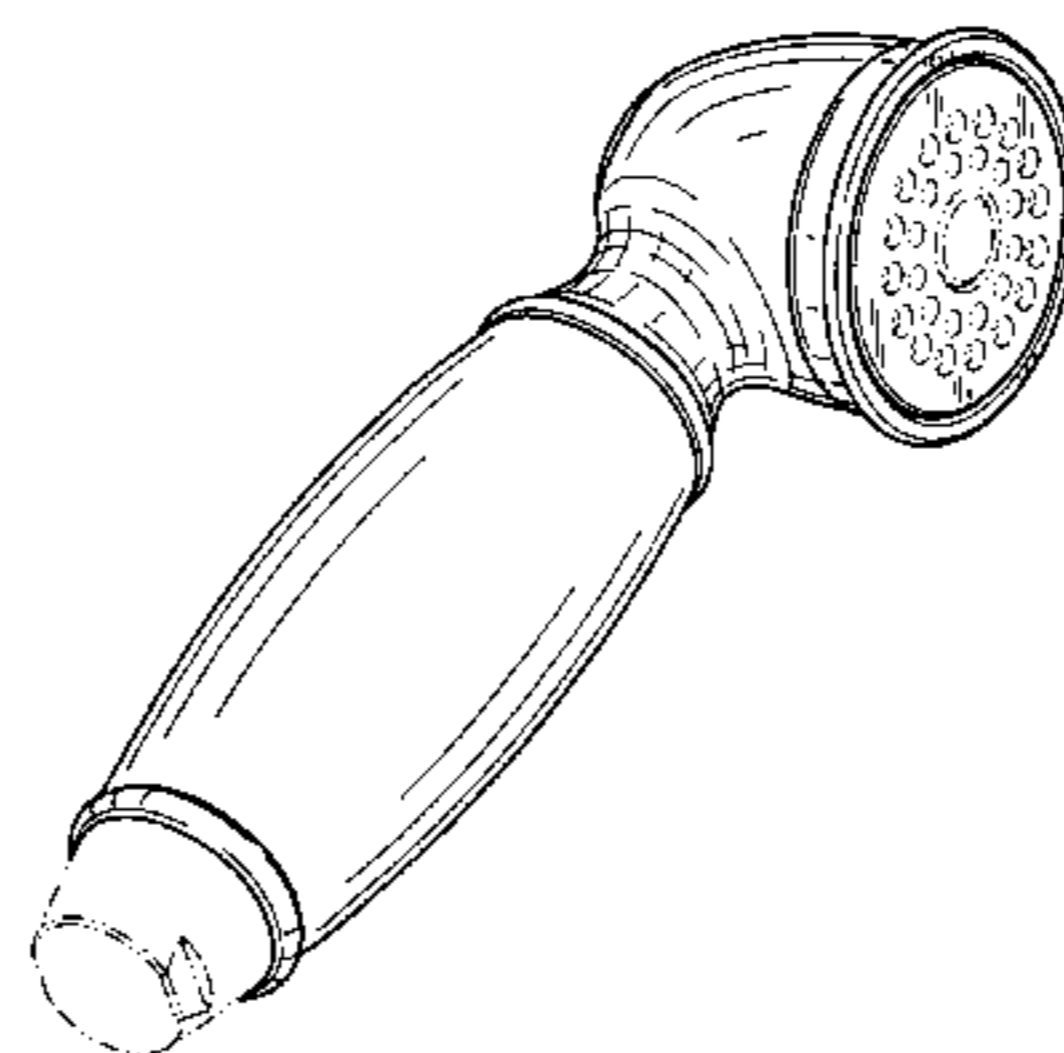
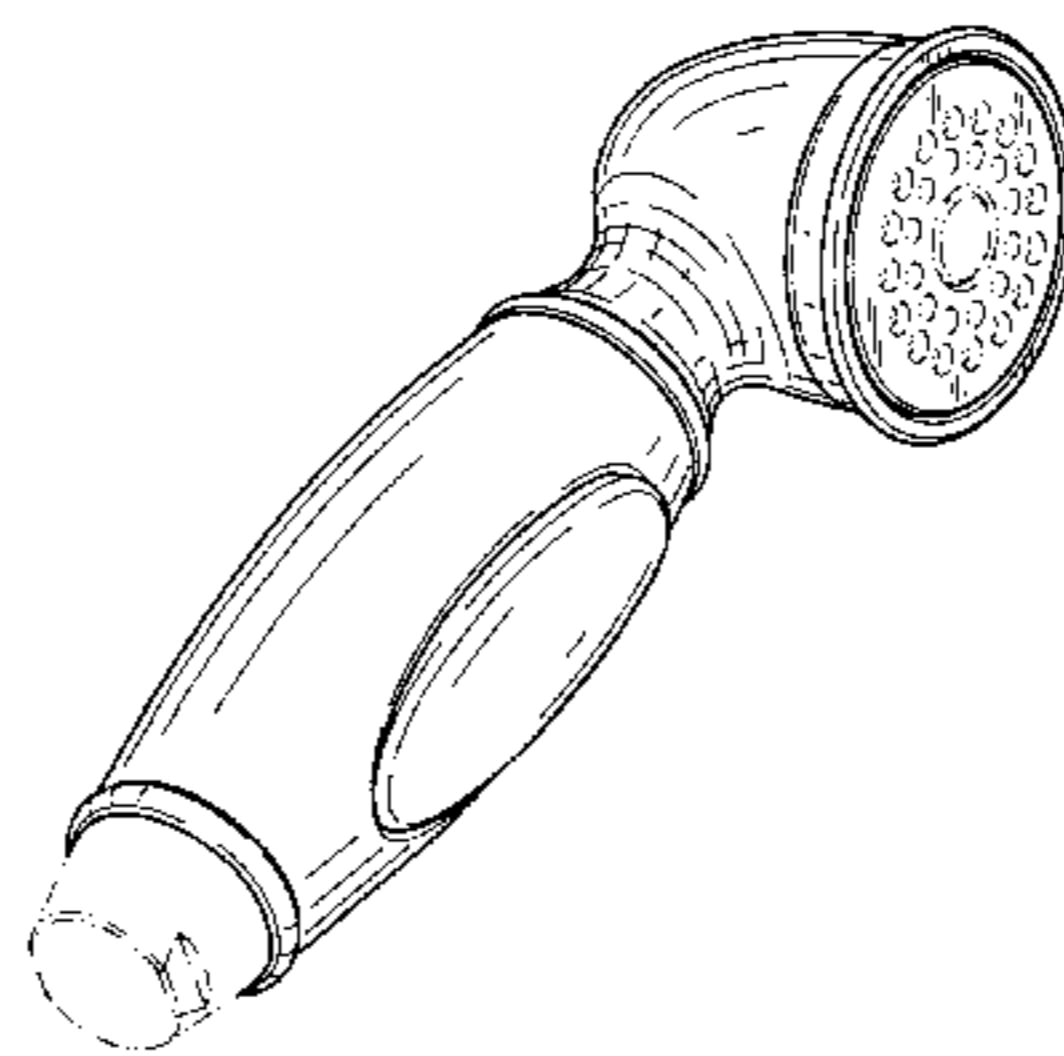


FIG. 1

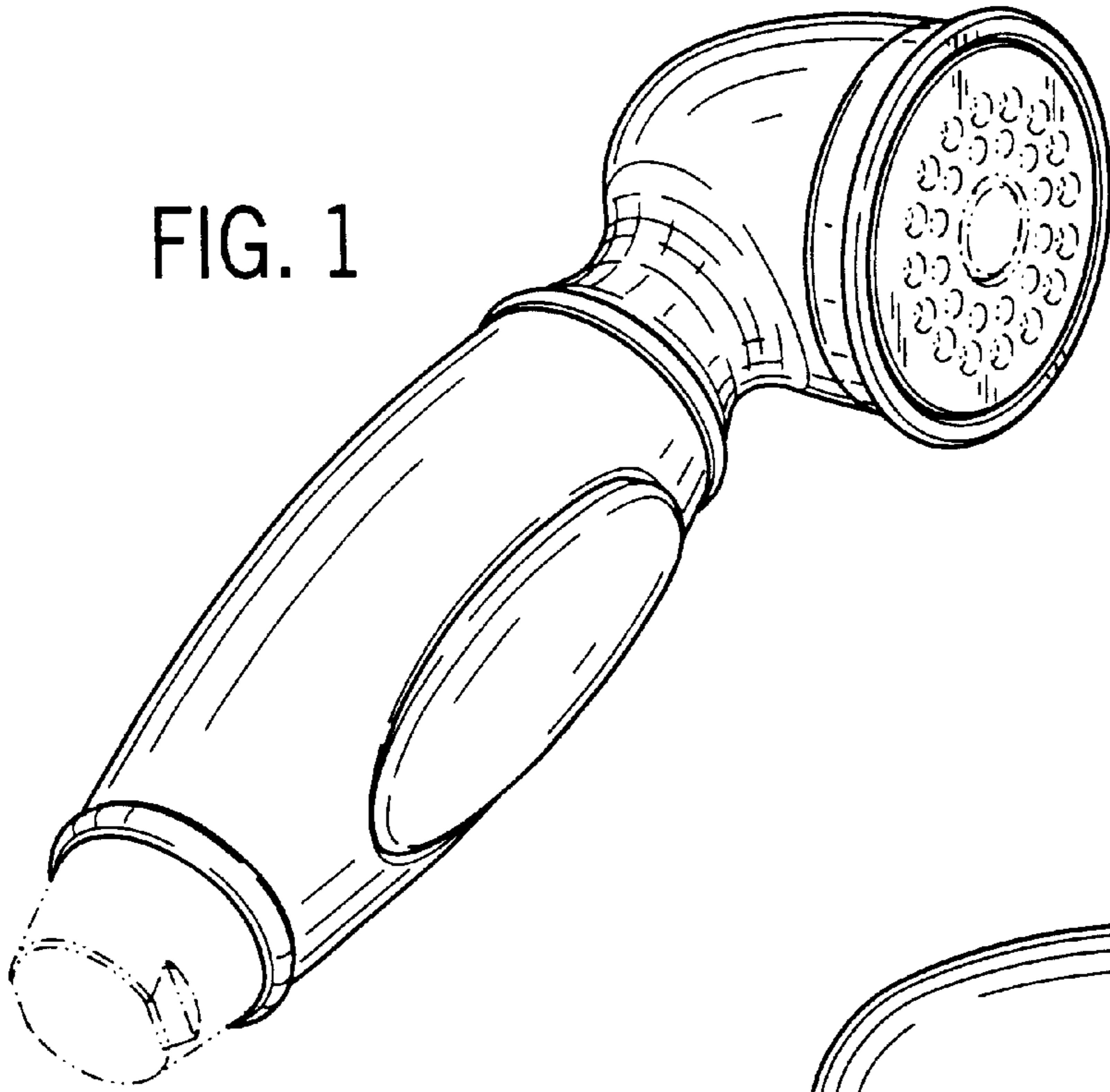


FIG. 2

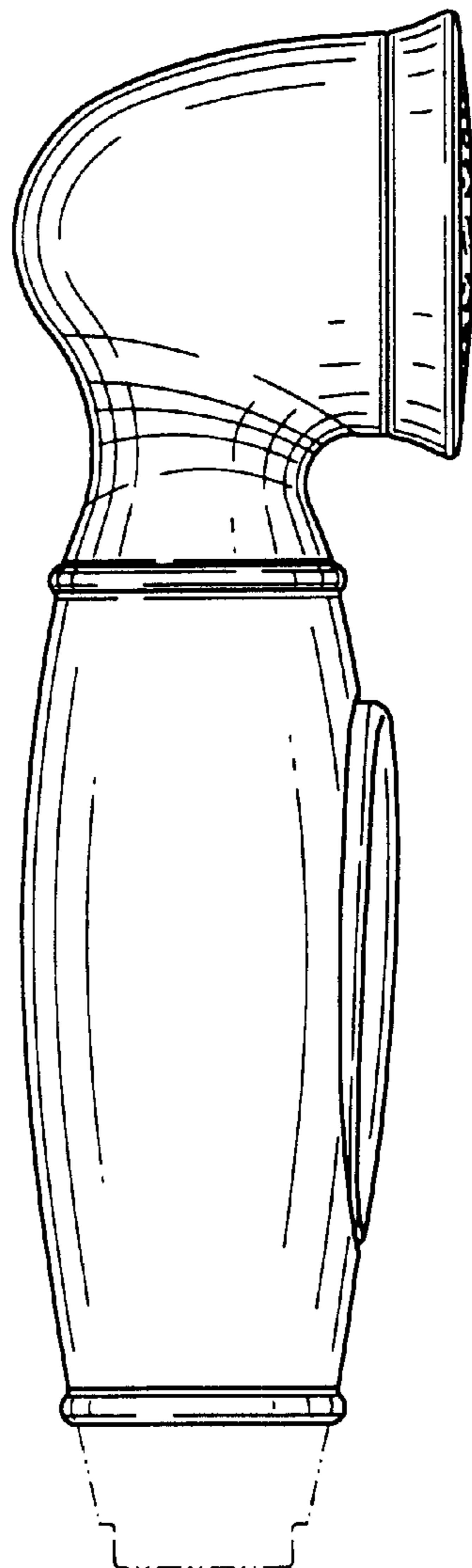


FIG. 3

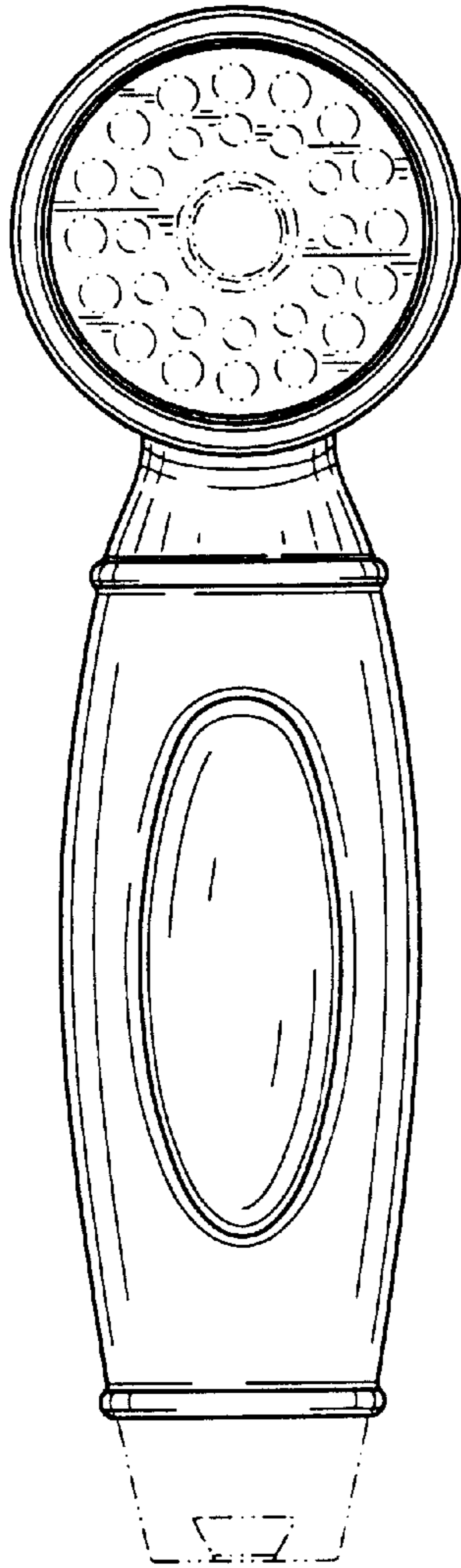


FIG. 4

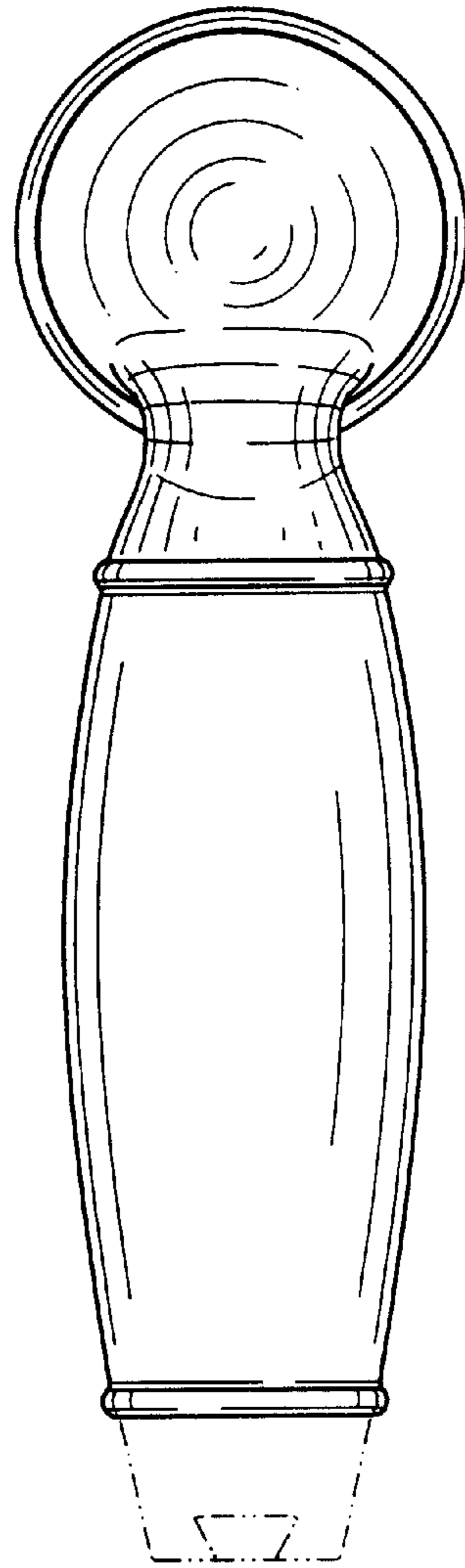


FIG. 5

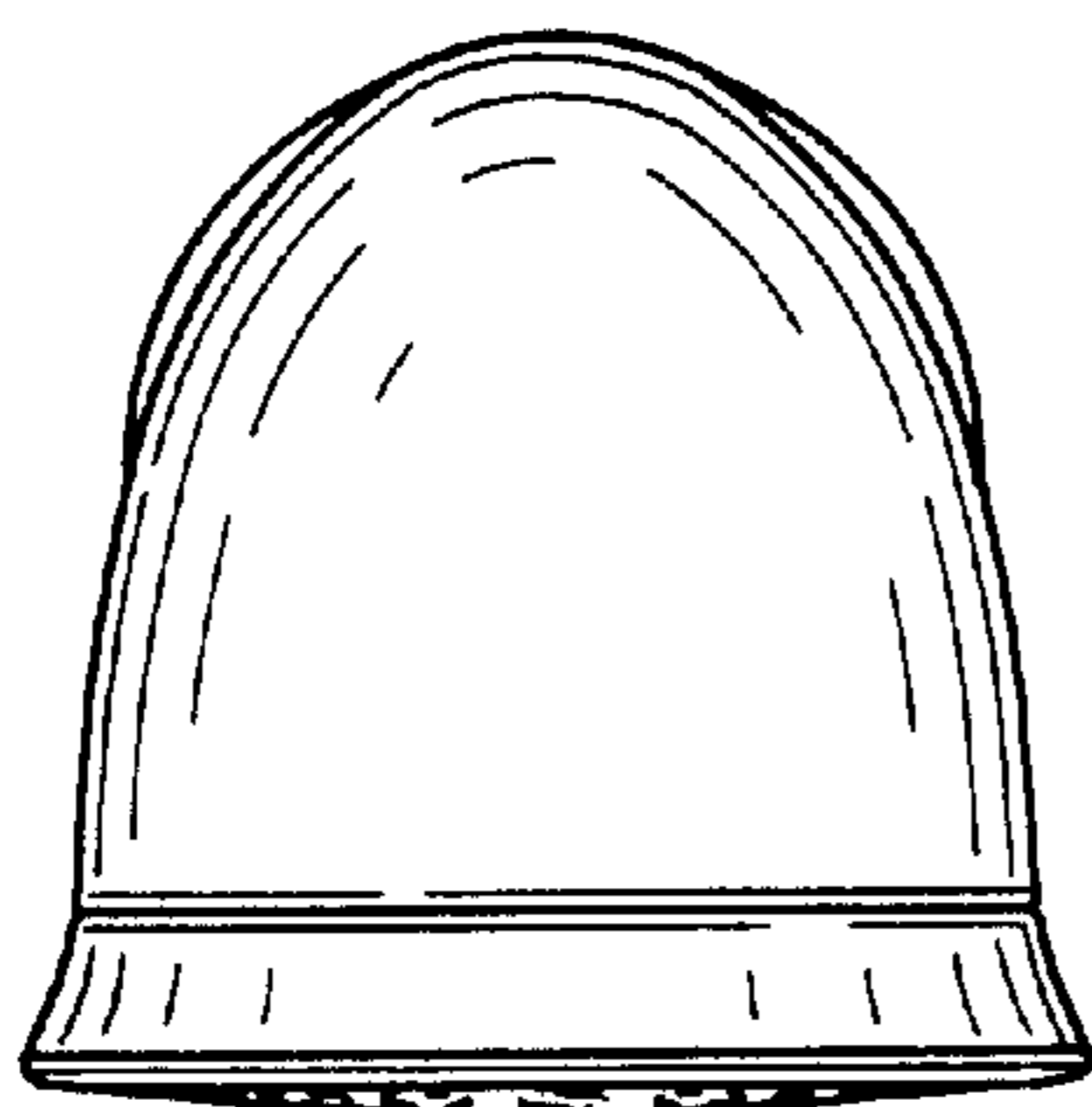


FIG. 6

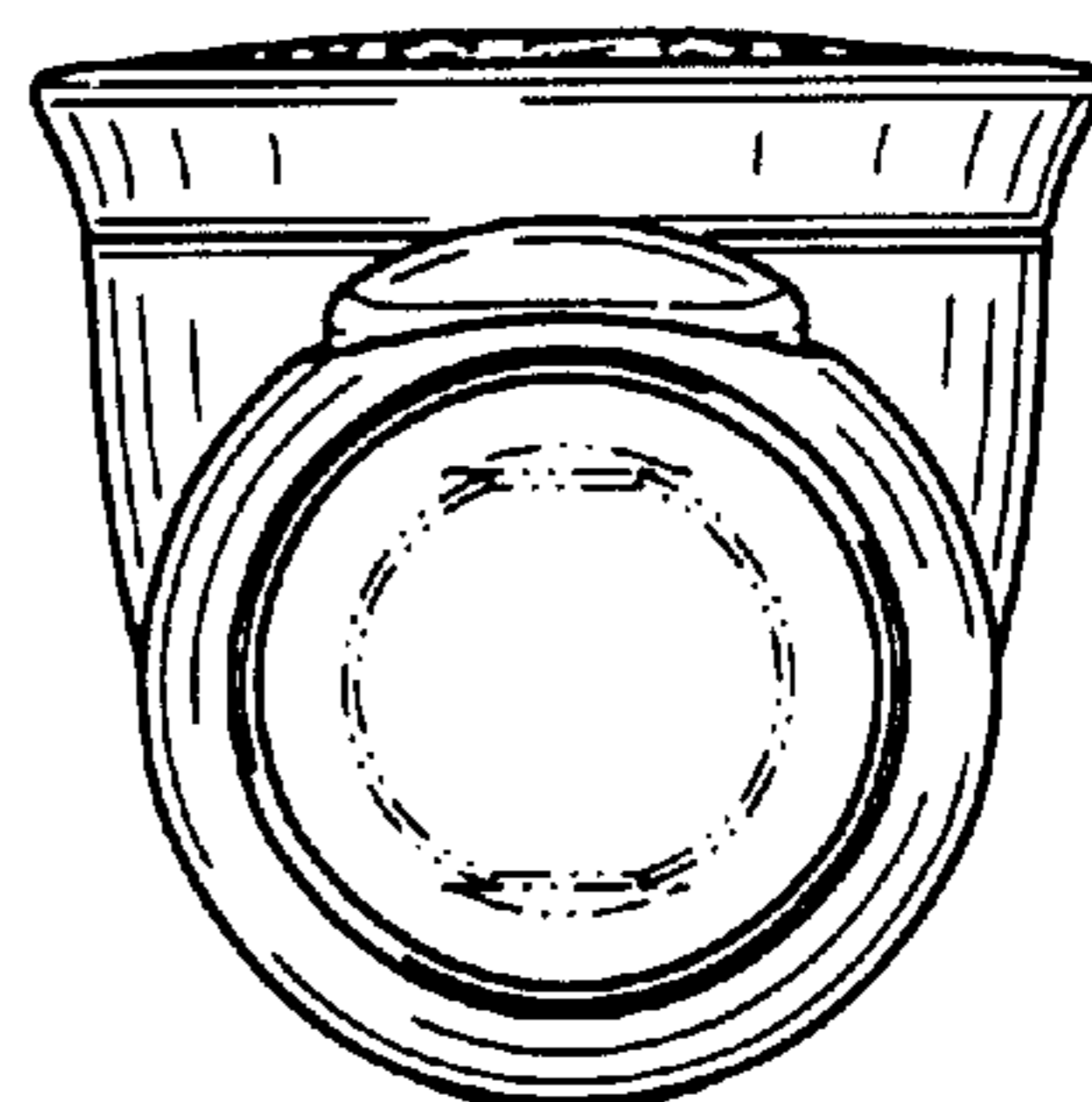


FIG. 7

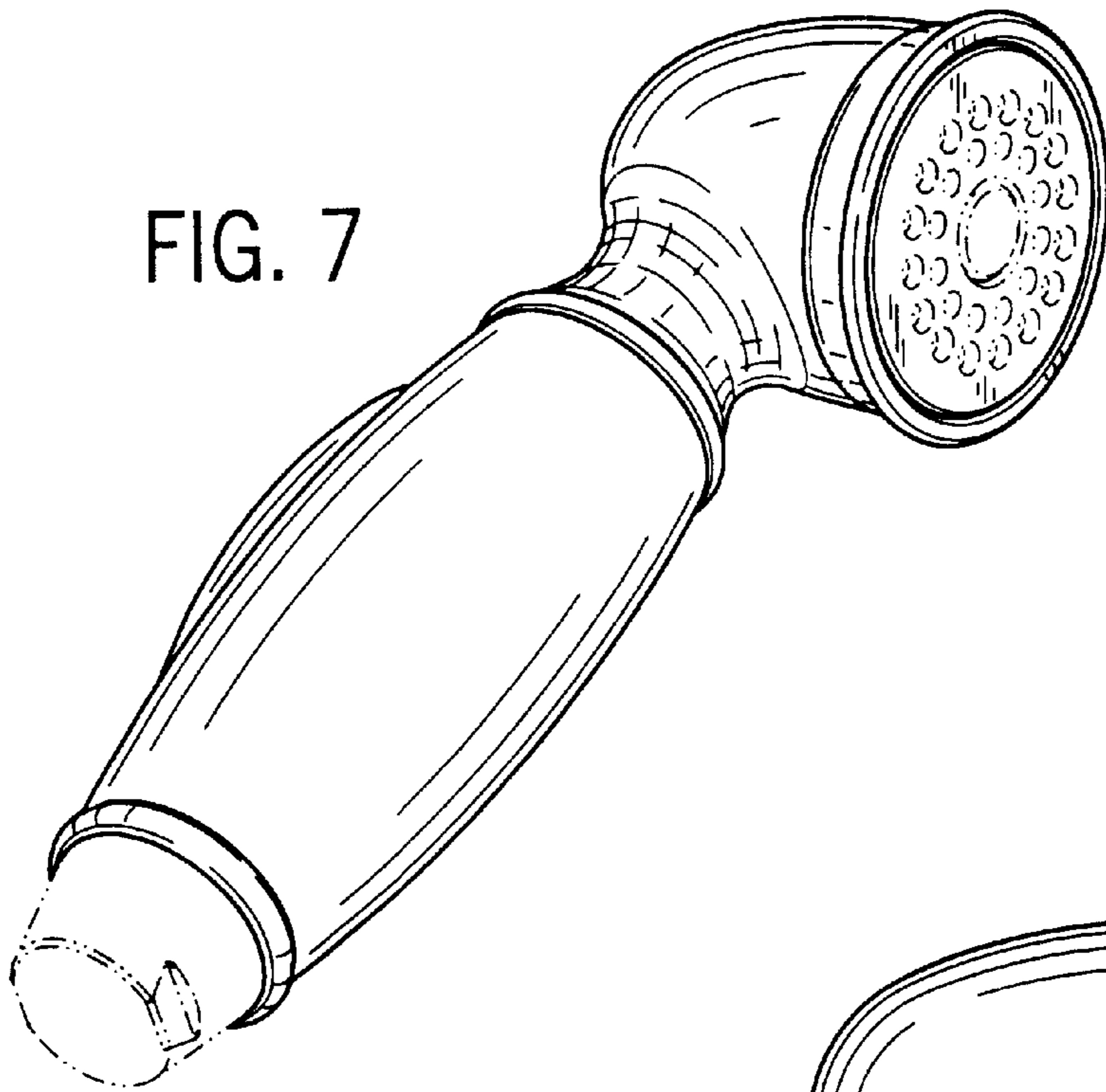


FIG. 8

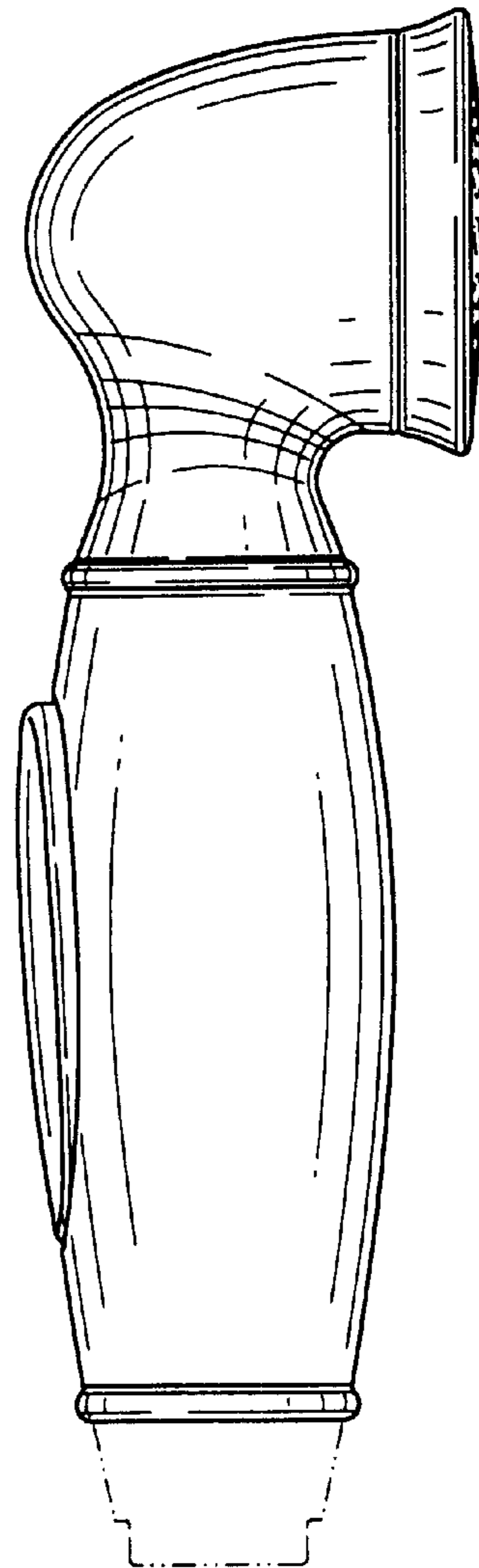


FIG. 9

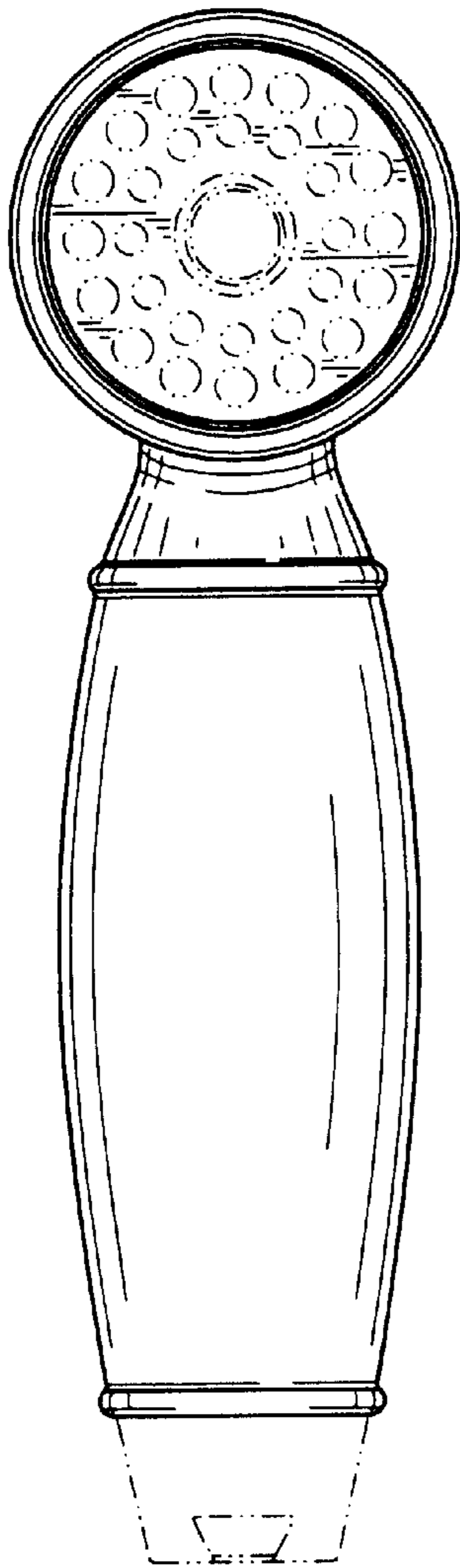


FIG. 10

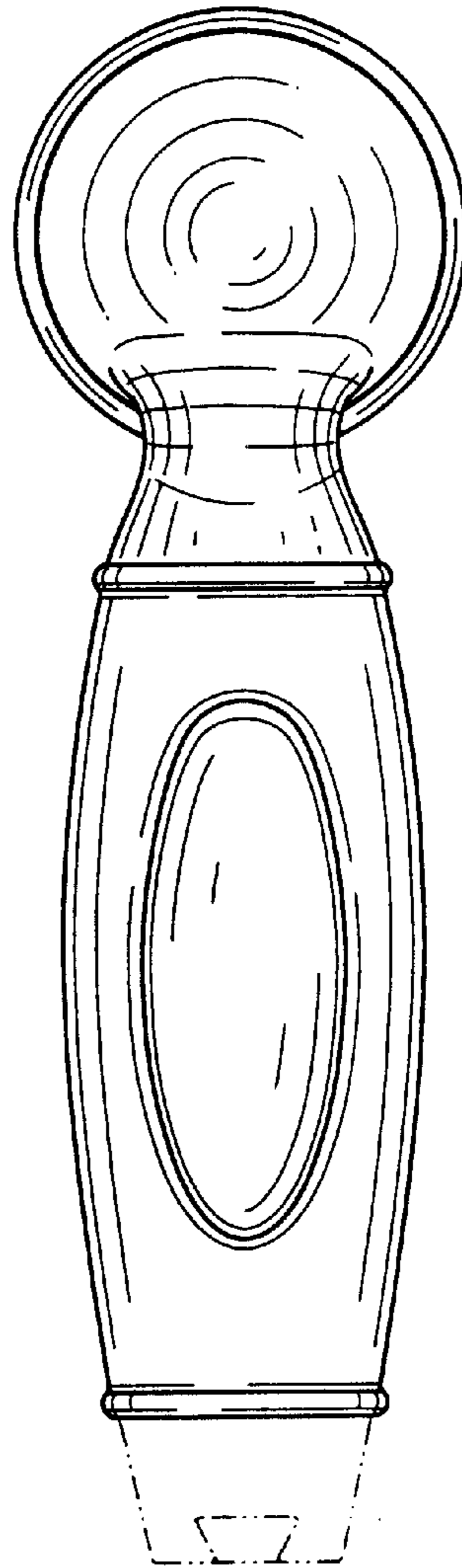


FIG. 11

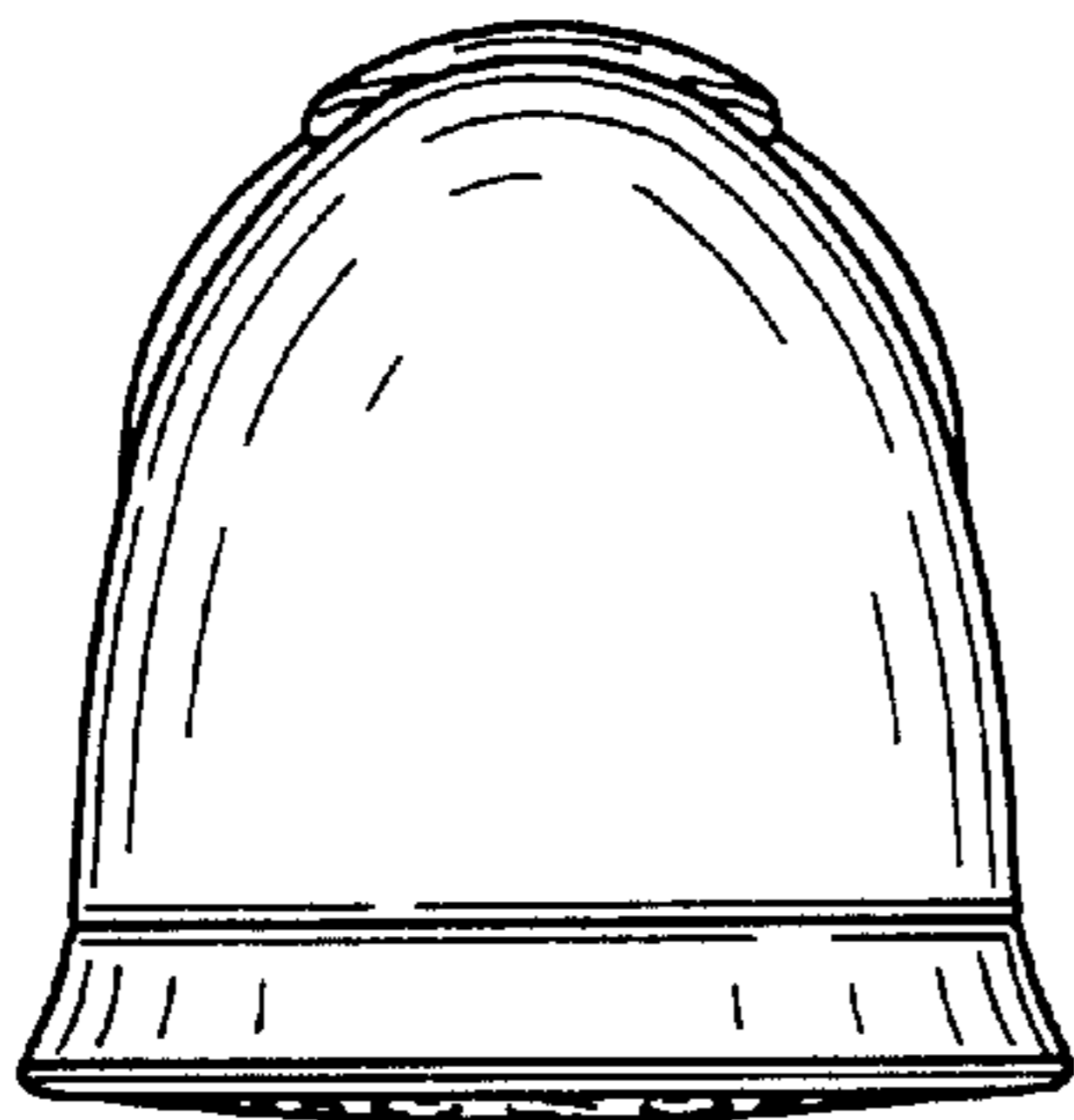


FIG. 12

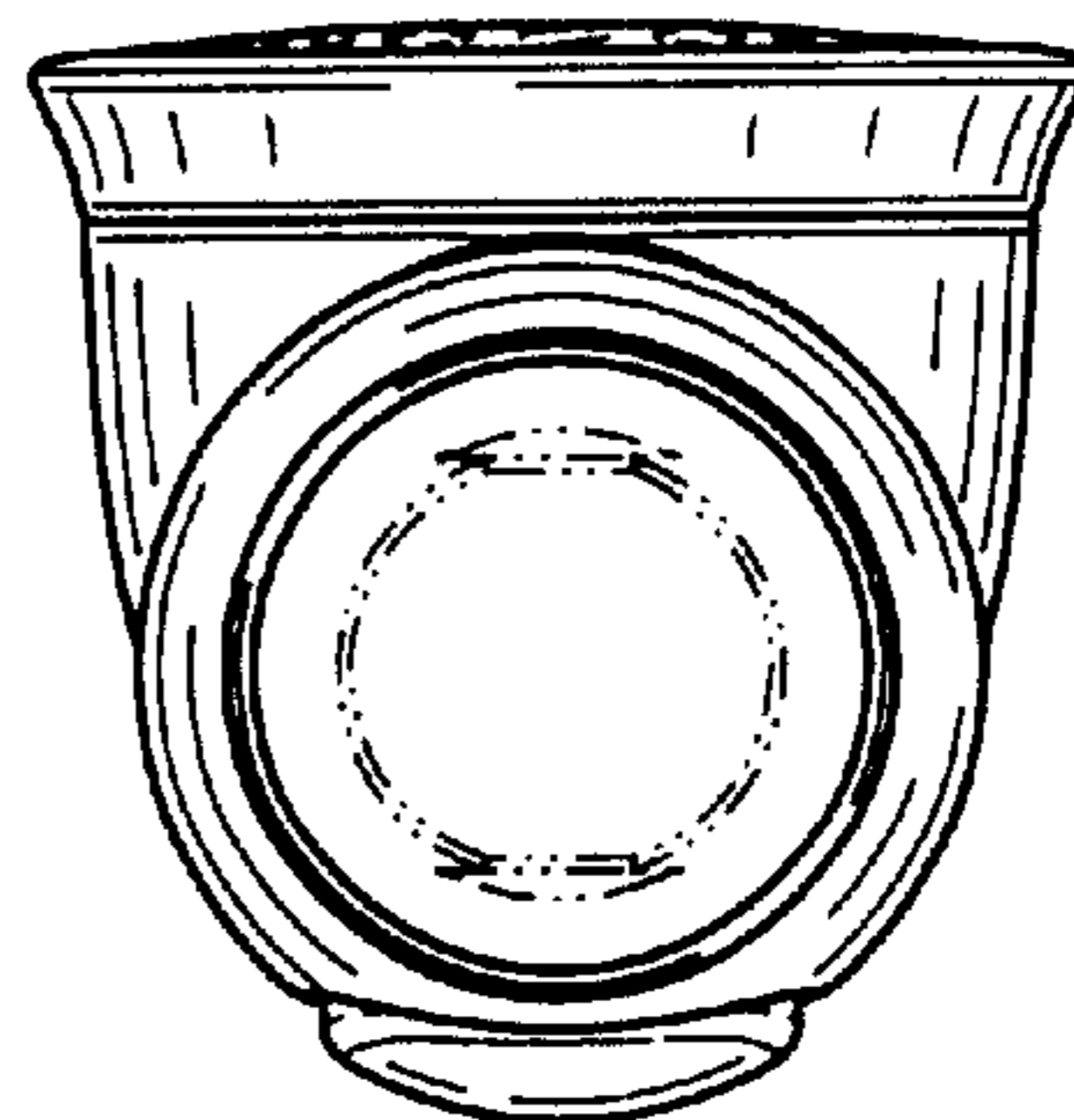


FIG. 13

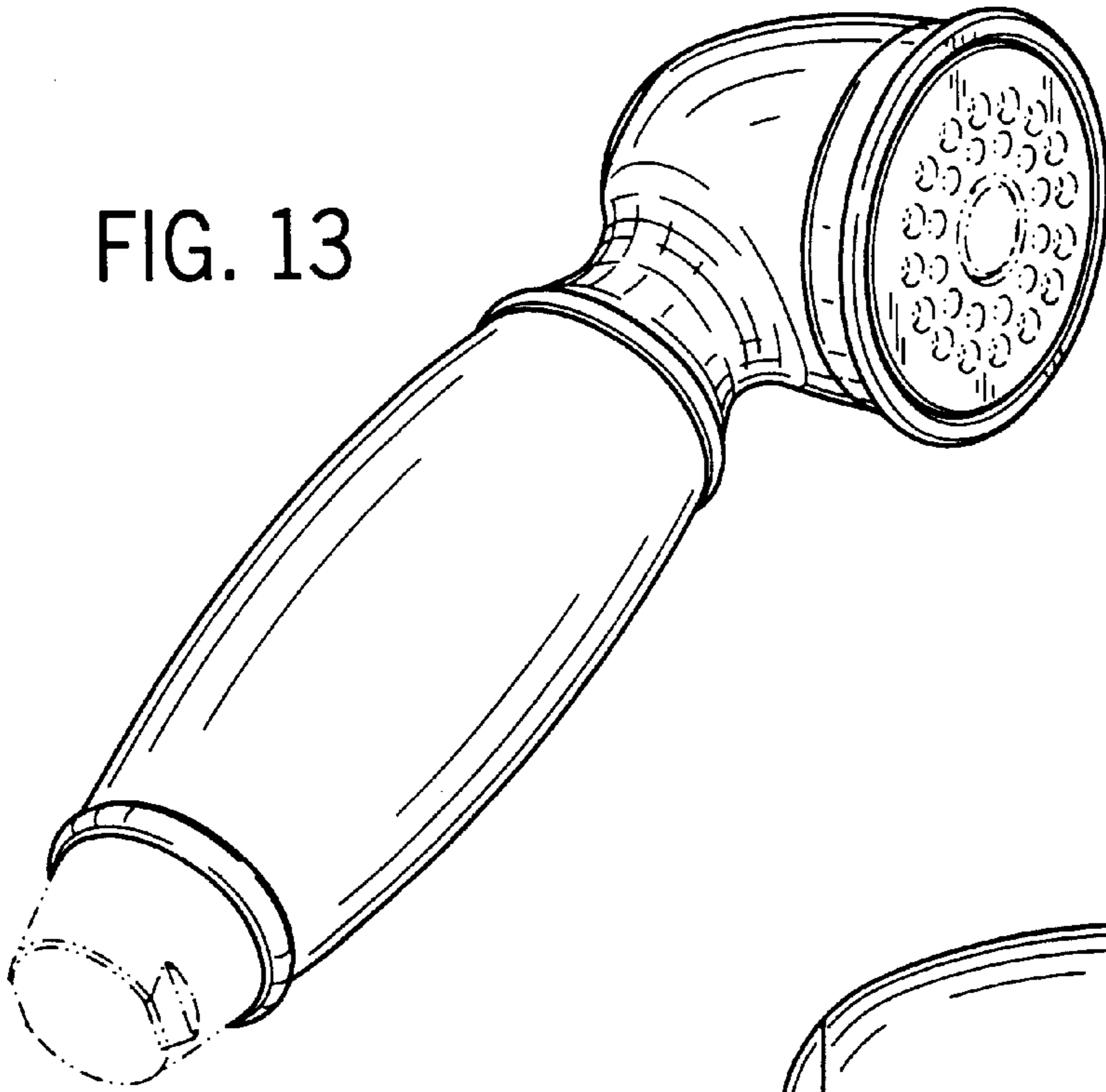


FIG. 14

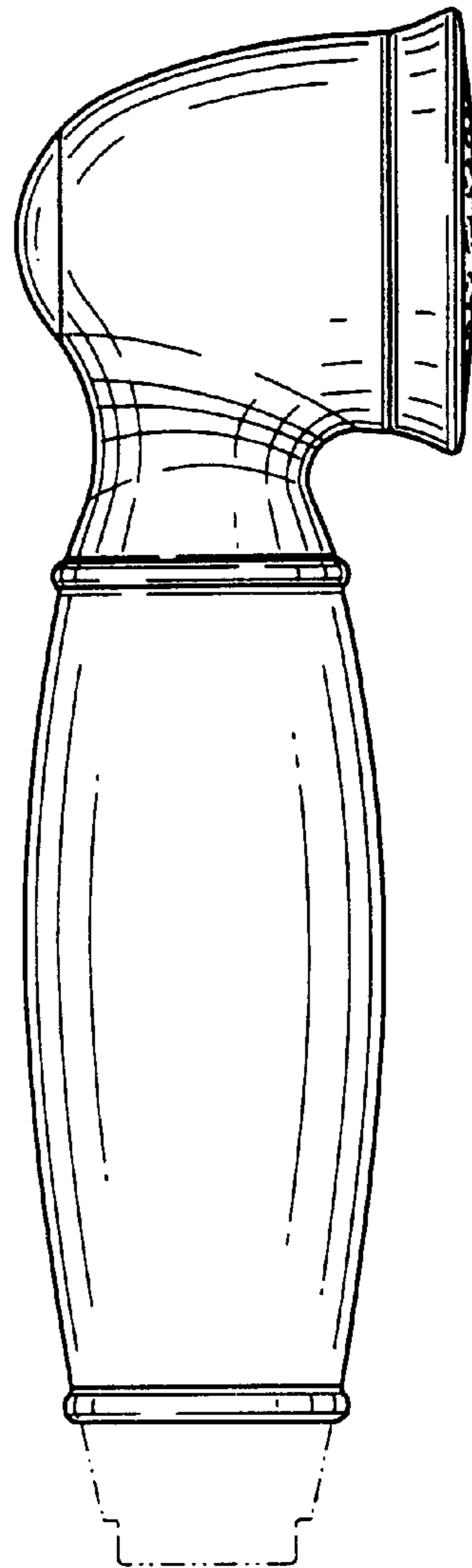


FIG. 15

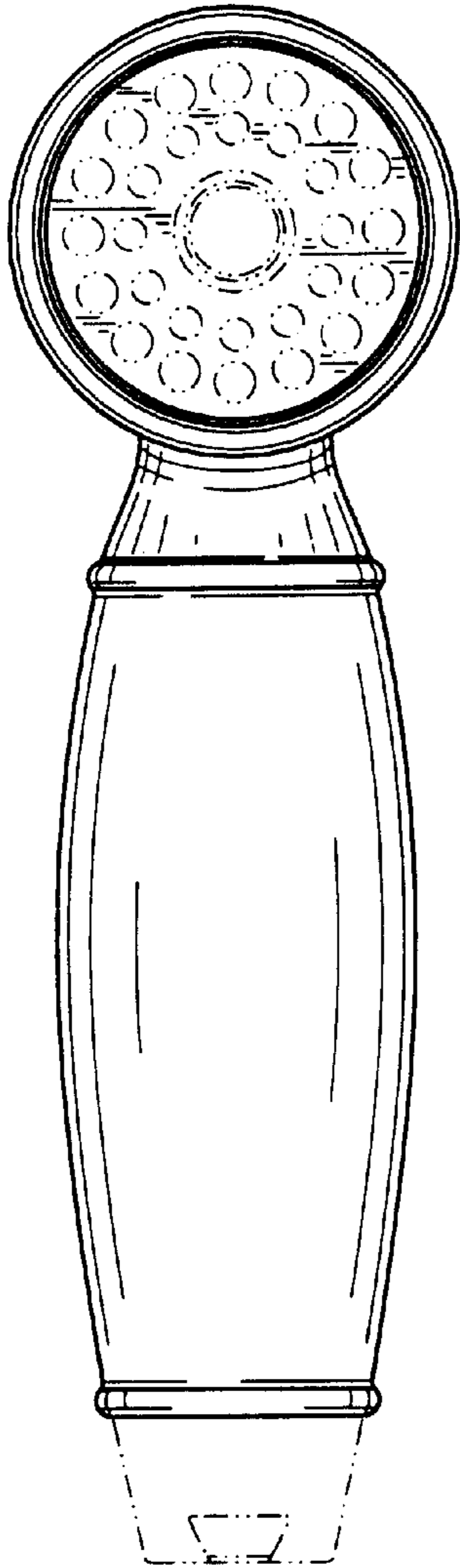


FIG. 16

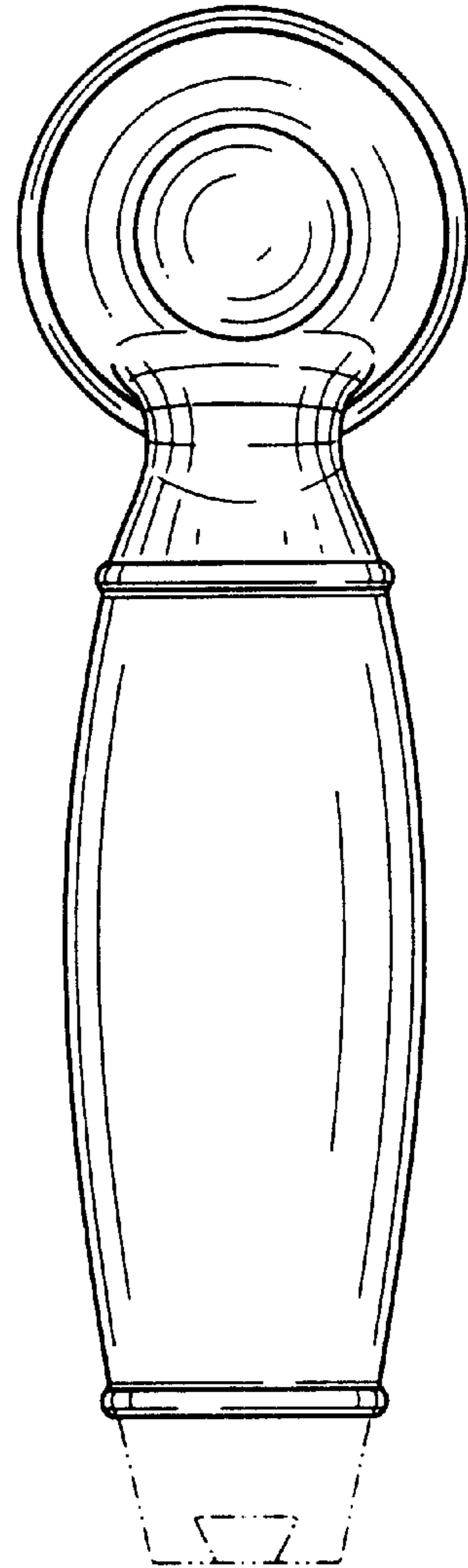


FIG. 17

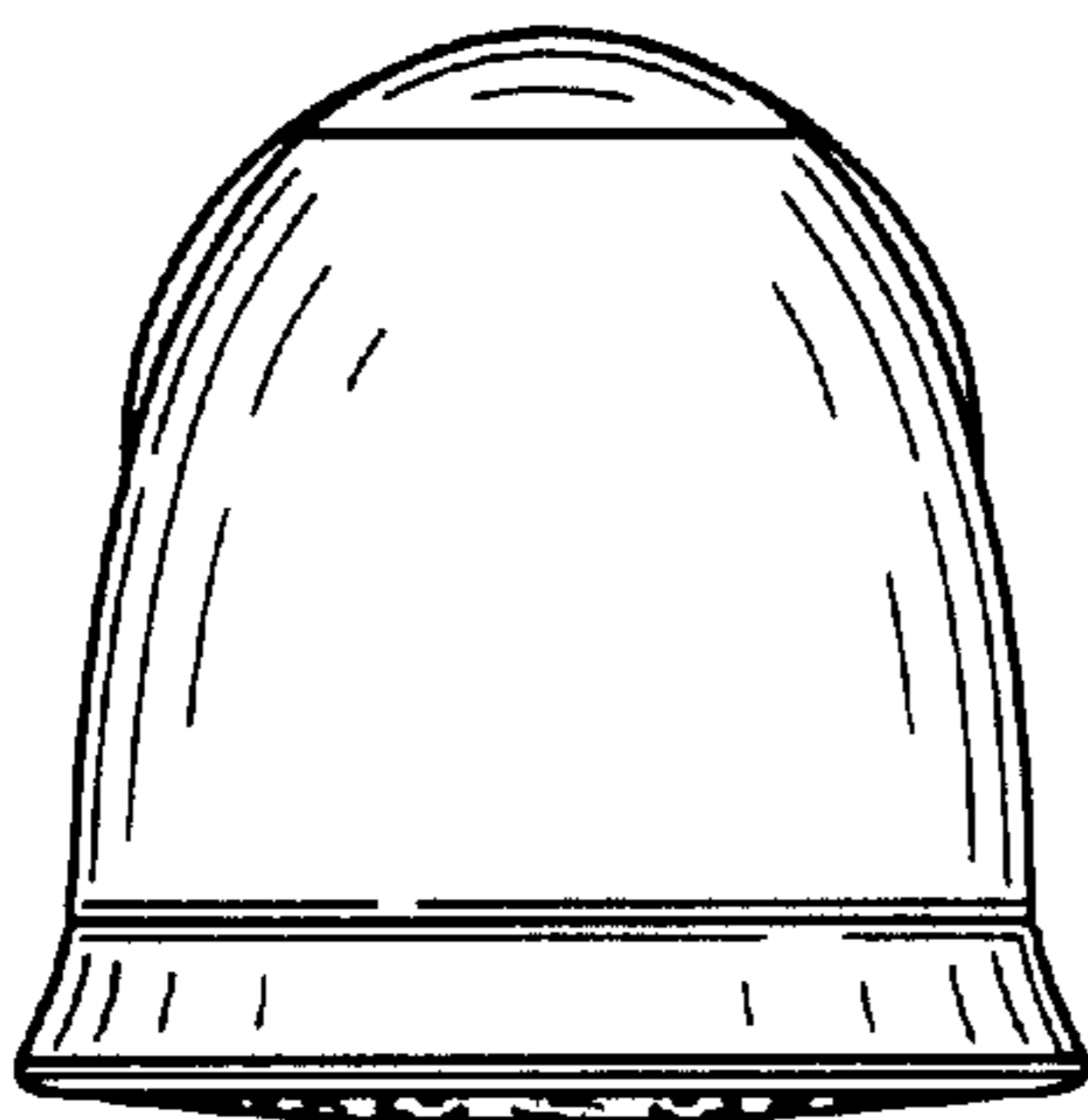


FIG. 18

