



US00D476065S

(12) **United States Design Patent**
Smith

(10) **Patent No.:** **US D476,065 S**

(45) **Date of Patent:** **** Jun. 17, 2003**

(54) **HANDLE**

(75) Inventor: **Michael S. Smith**, Santa Monica, CA (US)

(73) Assignee: **Kallista, Inc.**, Kohler, WI (US)

(**) Term: **14 Years**

(21) Appl. No.: **29/158,492**

(22) Filed: **Apr. 3, 2002**

(51) **LOC (7) Cl.** **23-01**

(52) **U.S. Cl.** **D23/252**

(58) **Field of Search** D23/238–243,
D23/245, 250–257; D8/300–322, 350–353,
DIG. 3; 16/110.1; 4/675–678; 137/801

(56) **References Cited**

U.S. PATENT DOCUMENTS

D194,228 S	*	12/1962	Shames	D23/250
D238,928 S	*	2/1976	Kipp	D23/252
D371,956 S	*	7/1996	Steffes	D23/254
5,562,120 A	*	10/1996	Spano et al.	137/801
D375,785 S	*	11/1996	Spano et al.	D23/252
D411,870 S	*	7/1999	Humber	D23/233
D466,990 S	*	12/2002	Wang	D23/252

OTHER PUBLICATIONS

2000 Kohler catalog ad, p. 2.36, showing a “Revival” lever handle.
1989 Harden catalog ad, p. 13, showing a “Series 16” hexagonal escutcheon base.

Jul. 2001 Kohler catalog ad, p. 2.43a, showing a “Stillness” lever handle.

Undated Sterling catalog ad showing “Color Splash” lever handles.

1998 Pegler catalog ad showing a lever handle.

1999 Kallista catalog ad, p. 59, showing a “Hampstead” hex lever handle.

1985 Delta catalog ad showing a lever handle.

Undated Grohe catalog, p. 7, showing a model 20.783 lever handle.

* cited by examiner

Primary Examiner—Louis S. Zarfes

Assistant Examiner—Gregory Andoll

(74) *Attorney, Agent, or Firm*—Quarles & Brady LLP

(57) **CLAIM**

The ornamental design for a handle, as shown and described.

DESCRIPTION

FIG. 1 is a left, top, front perspective view of a handle embodying my new design;

FIG. 2 is a front elevational view thereof, the rear elevational view being a mirror image of the front elevational view shown;

FIG. 3 is a left side elevational view thereof;

FIG. 4 is a right side elevational view thereof;

FIG. 5 is a top plan view thereof; and,

FIG. 6 is a bottom plan view thereof.

The broken line representation of a mounting structure in FIG. 6 is for the purpose of illustration only, and forms no part of the claimed design.

1 Claim, 1 Drawing Sheet

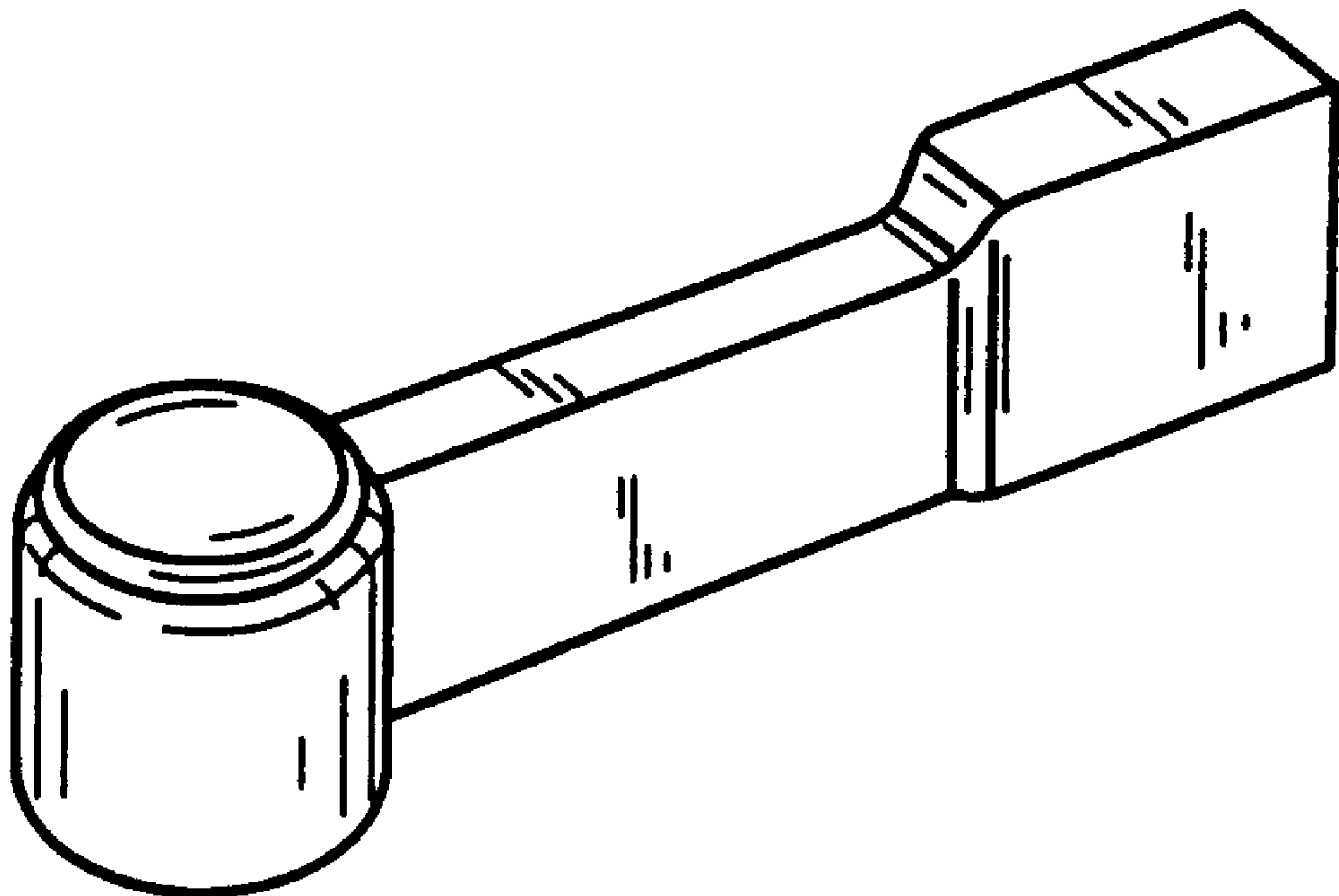


FIG. 1

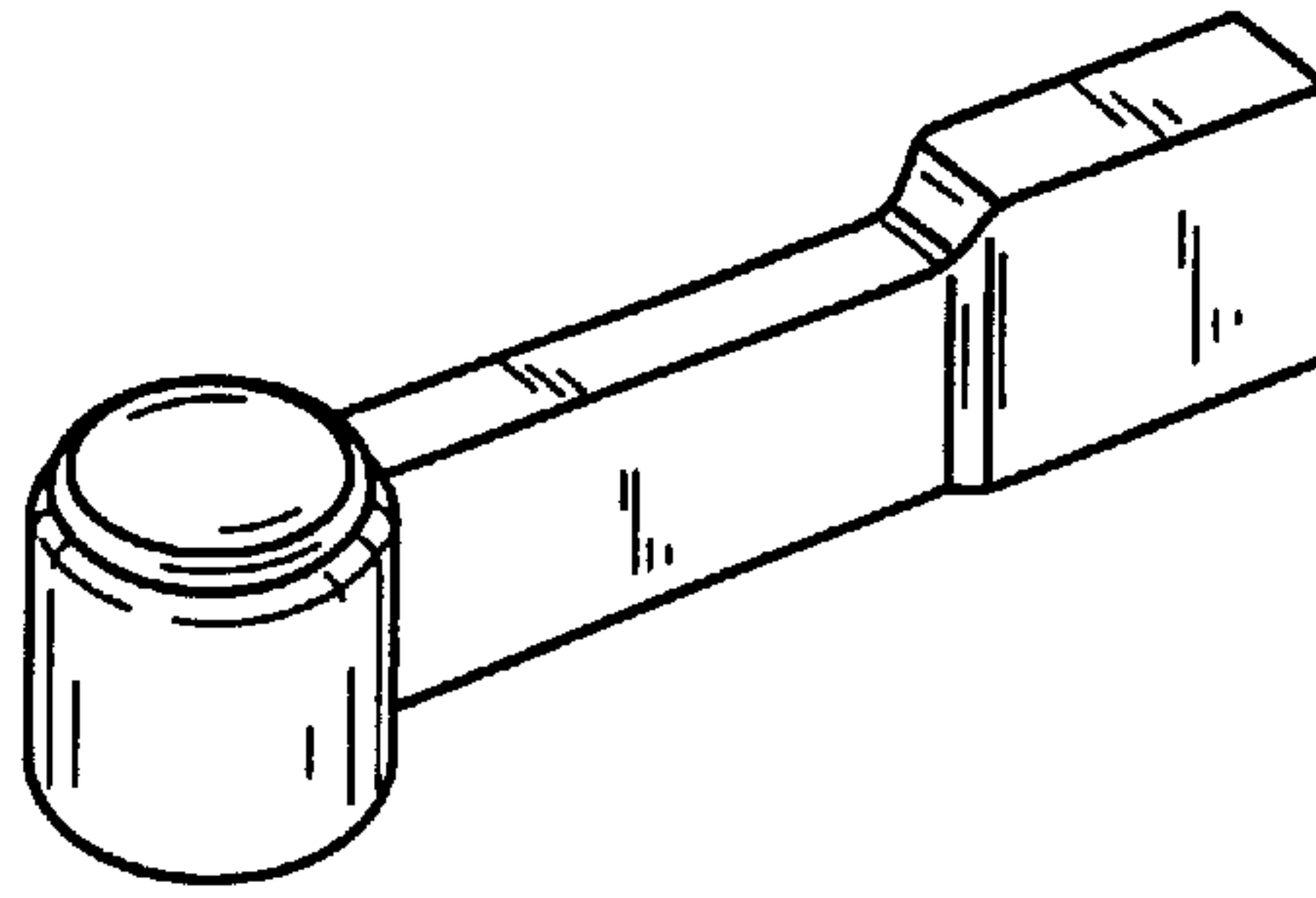


FIG. 2

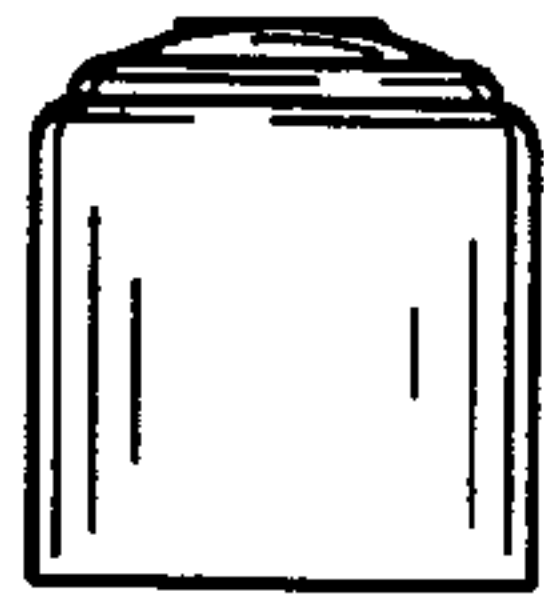
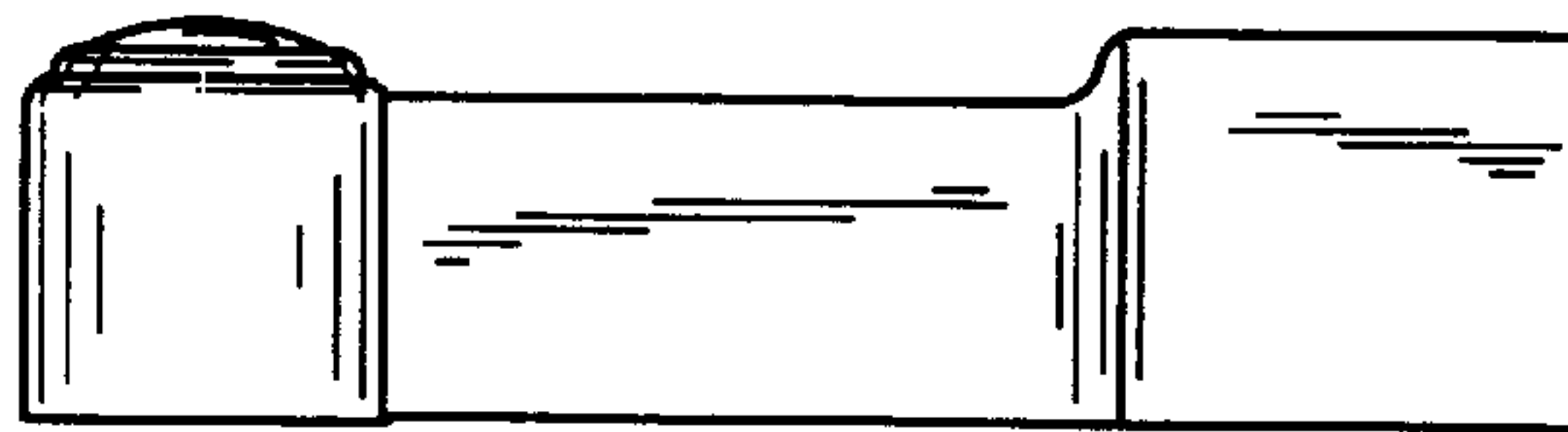


FIG. 3

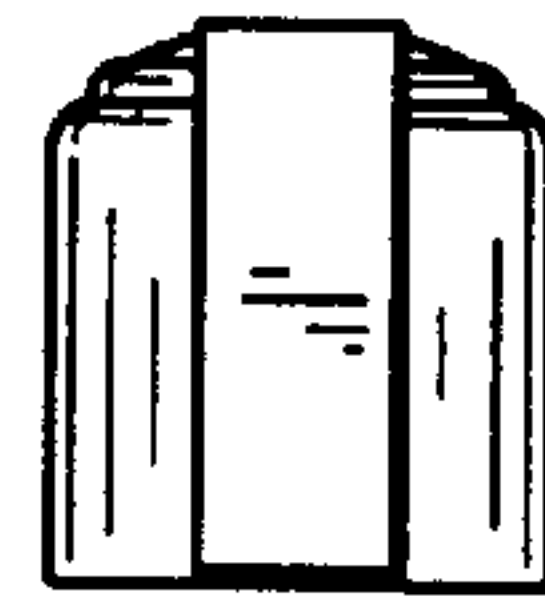


FIG. 4

FIG. 5

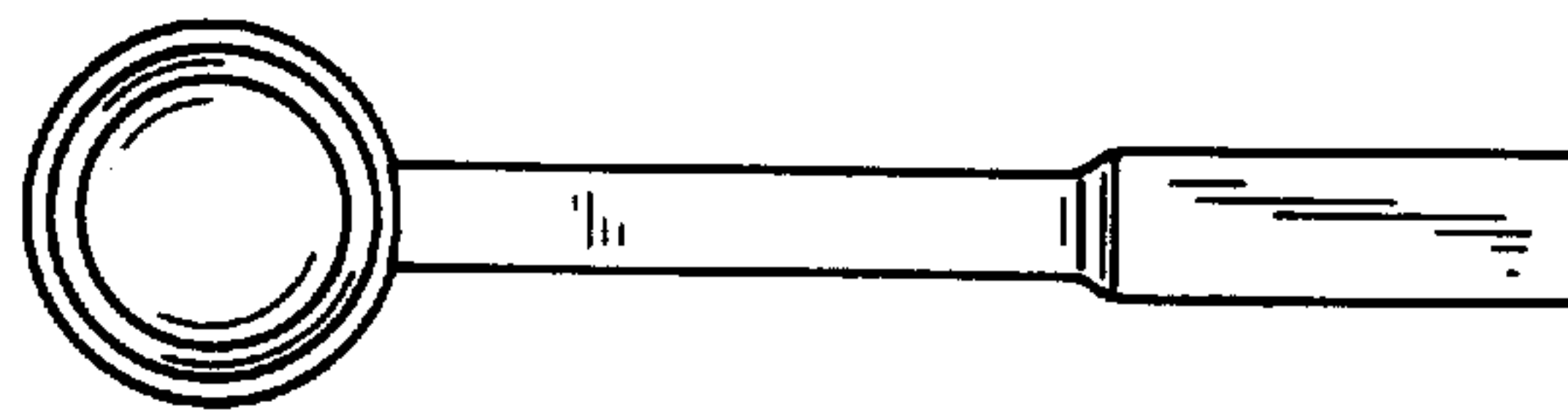


FIG. 6

