



US00D476063S

(12) **United States Design Patent**
Haug et al.

(10) **Patent No.:** **US D476,063 S**

(45) **Date of Patent:** **** Jun. 17, 2003**

(54) **FAUCET**

(75) **Inventors:** **Andreas Haug**, Stuttgart (DE);
Thomas Schönherr, Stuttgart (DE);
Andreas Dimitriadis, Leinzell (DE)

(73) **Assignee:** **Hansgrohe AG**, Schiltach (DE)

(**) **Term:** **14 Years**

(21) **Appl. No.:** **29/106,542**

(22) **Filed:** **Jun. 17, 1999**

(30) **Foreign Application Priority Data**

Dec. 18, 1998 (DE) 498 12 479

(51) **LOC (7) Cl.** **23-01**

(52) **U.S. Cl.** **D23/238**

(58) **Field of Search** D23/238-243,
D23/250-257; 4/675-678; D14/114; 137/801

(56) **References Cited**

U.S. PATENT DOCUMENTS

D372,518 S * 8/1996 Gottwald D23/238
D375,784 S * 11/1996 Gottwald D23/238

D388,774 S * 1/1998 Giuntoli D14/114
D402,736 S * 12/1998 Kergoet D23/238
D404,800 S * 1/1999 Lobermeier D23/238
D408,502 S * 4/1999 Lobermeier D23/238
D409,284 S * 5/1999 Gottwald D23/238
D409,727 S * 5/1999 Lobermeier D23/238

* cited by examiner

Primary Examiner—Eric Watterson

(74) *Attorney, Agent, or Firm*—Duane, Morris & Heckscher

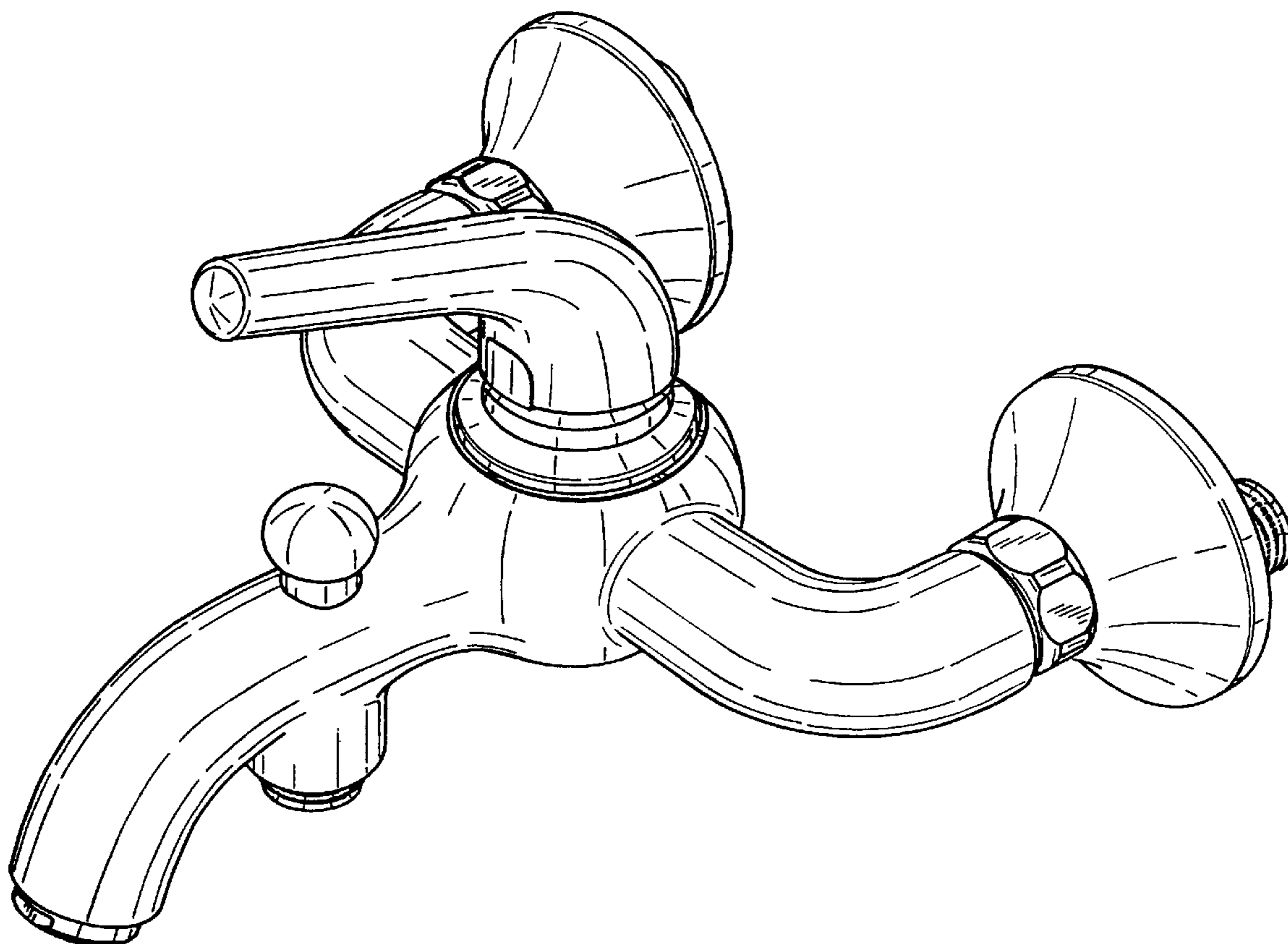
(57) **CLAIM**

The ornamental design for a faucet, as shown and described.

DESCRIPTION

FIG. 1 is a side perspective view of a faucet showing our new design;
FIG. 2 is a side elevation view, the opposite side being a mirror image thereof;
FIG. 3 is a top plan view thereof;
FIG. 4 is a front elevation view thereof;
FIG. 5 is a rear elevation view thereof; and,
FIG. 6 is a bottom plan view thereof.

1 Claim, 3 Drawing Sheets



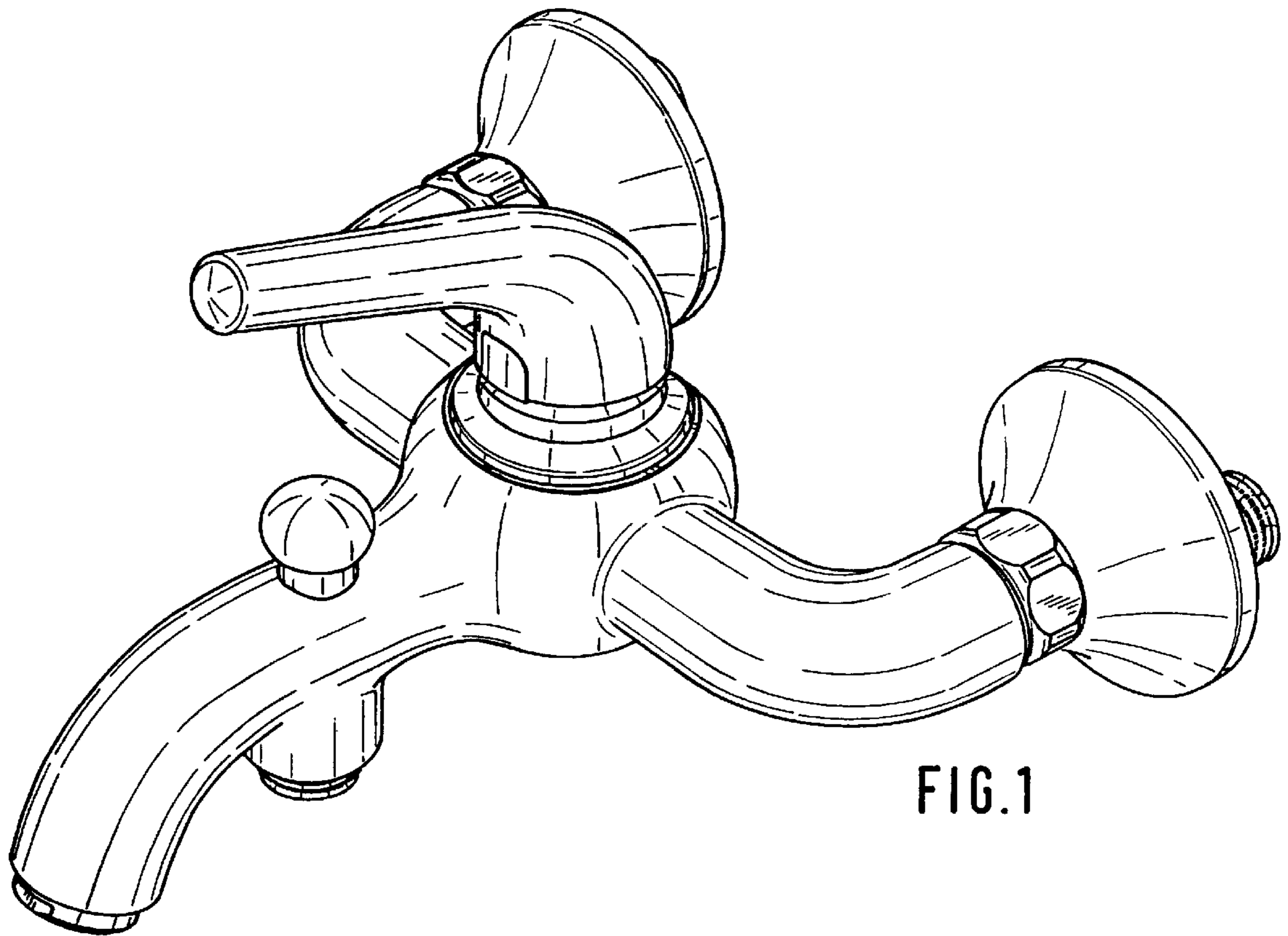


FIG. 1

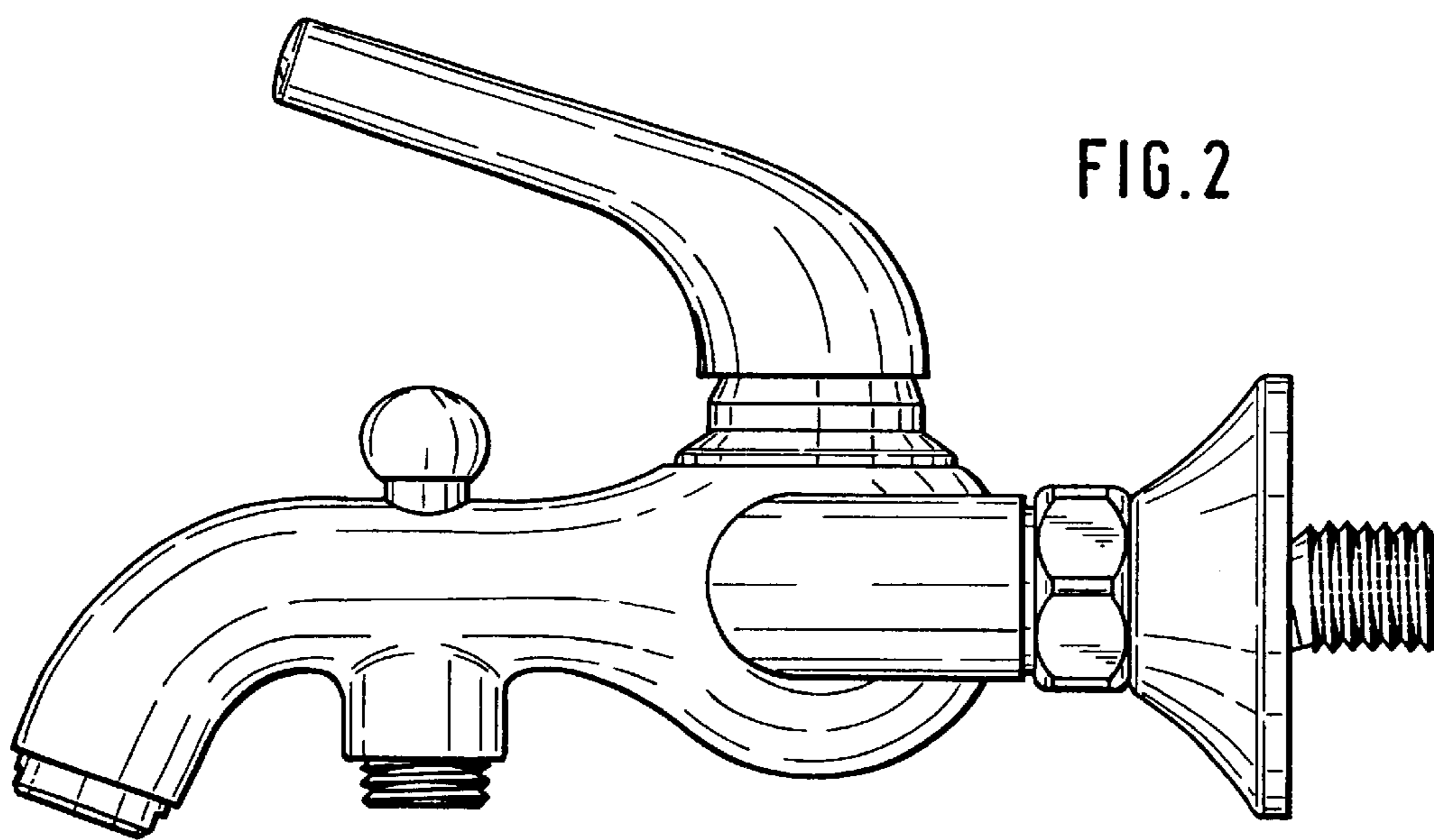


FIG. 2

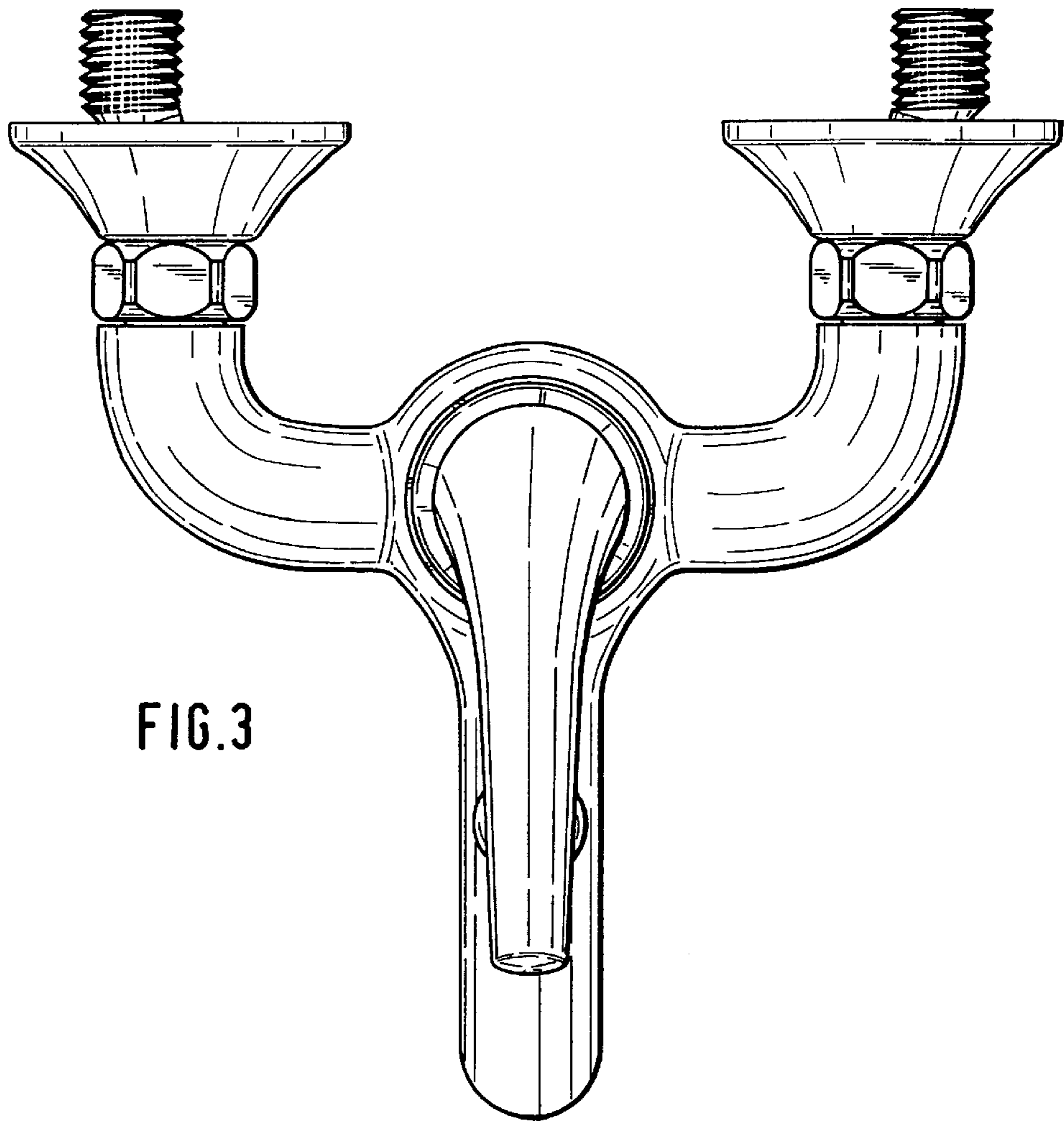


FIG. 3

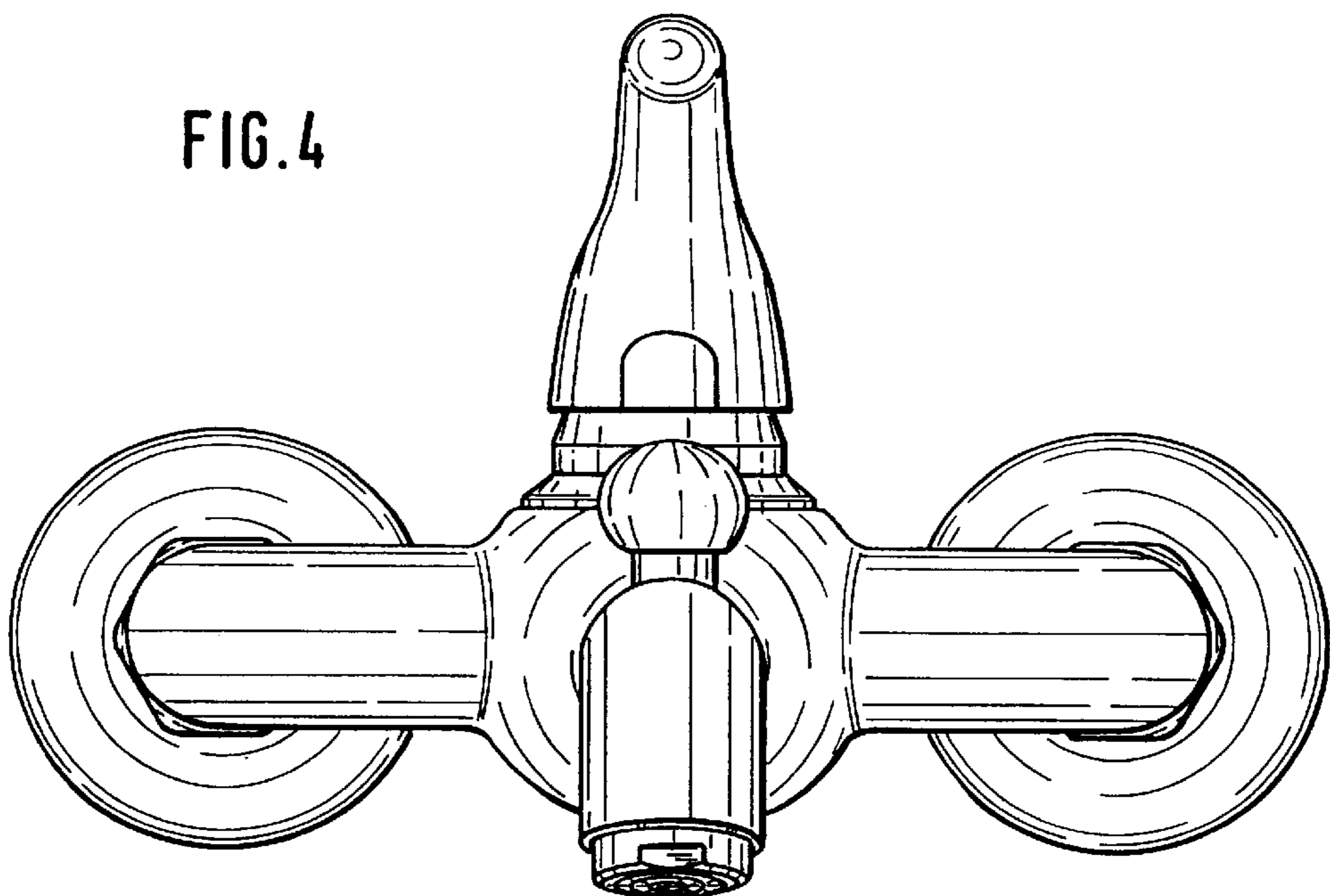


FIG. 4

FIG. 5

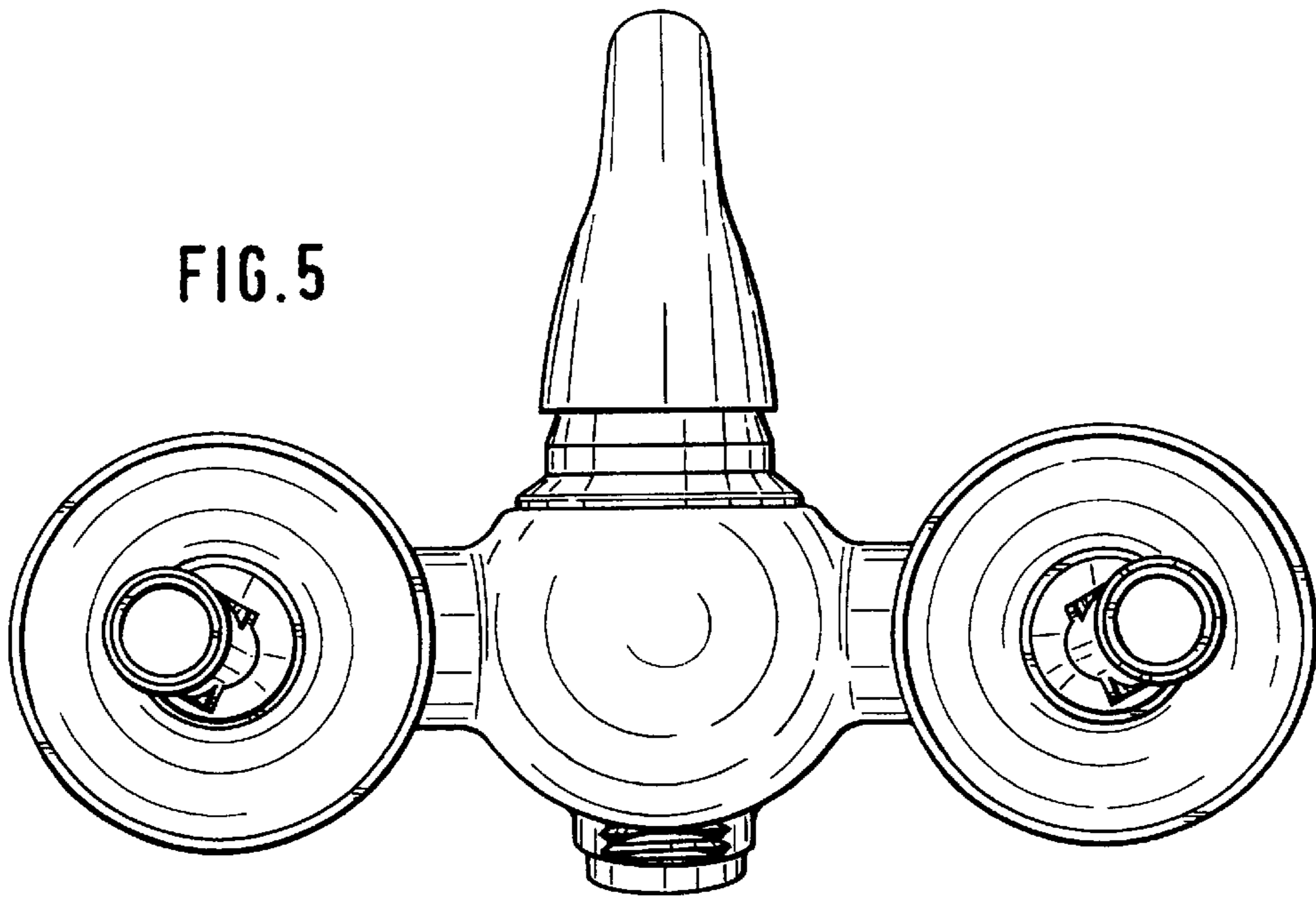


FIG. 6

