



US00D476060S

(12) **United States Design Patent**  
**Duncan et al.**

(10) **Patent No.: US D476,060 S**

(45) **Date of Patent: \*\* Jun. 17, 2003**

(54) **STOCK CAR SPRINKLER**  
(75) Inventors: **Scott W. Duncan**, Bloomington, MN  
(US); **Scott A. Dunlap**, Bloomington,  
MN (US)

D386,254 S \* 11/1997 Lung-Ruey ..... D23/215  
D421,933 S \* 3/2000 Bender ..... D12/88  
D438,529 S \* 3/2001 Brennan ..... D12/88  
D461,223 S \* 8/2002 Duncan et al. .... D23/215

\* cited by examiner

(73) Assignee: **S & S Product Design Inc.**,  
Bloomington, MN (US)

*Primary Examiner*—Robin V. Taylor  
(74) *Attorney, Agent, or Firm*—Patterson, Thuente, Skaar &  
Christensen, P.A.

(\*\*) Term: **14 Years**

(21) Appl. No.: **29/162,860**

(57) **CLAIM**

(22) Filed: **Jun. 21, 2002**

We claim the ornamental design for stock car sprinkler, as  
shown.

**Related U.S. Application Data**

**DESCRIPTION**

(63) Continuation-in-part of application No. 29/145,092, filed on  
Jul. 16, 2001, now Pat. No. Des. 461,223.

FIG. 1 is a side view of the stock car sprinkler according to  
the present invention.

(51) **LOC (7) Cl.** ..... **23-01**

FIG. 2 is a top view of the stock car sprinkler.

(52) **U.S. Cl.** ..... **D23/215**

FIG. 3 is a front view of the stock car sprinkler.

(58) **Field of Search** ..... D23/214, 215,  
D23/217, 218, 219, 22; 239/211, 222; D12/82,  
86, 88; D21/548-9, 550

FIG. 4 is a back view of the stock car sprinkler.

FIG. 5 is a side view of the stock car sprinkler.

FIG. 6 is a top view of the stock car sprinkler.

FIG. 7 is a front view of the stock car sprinkler; and,

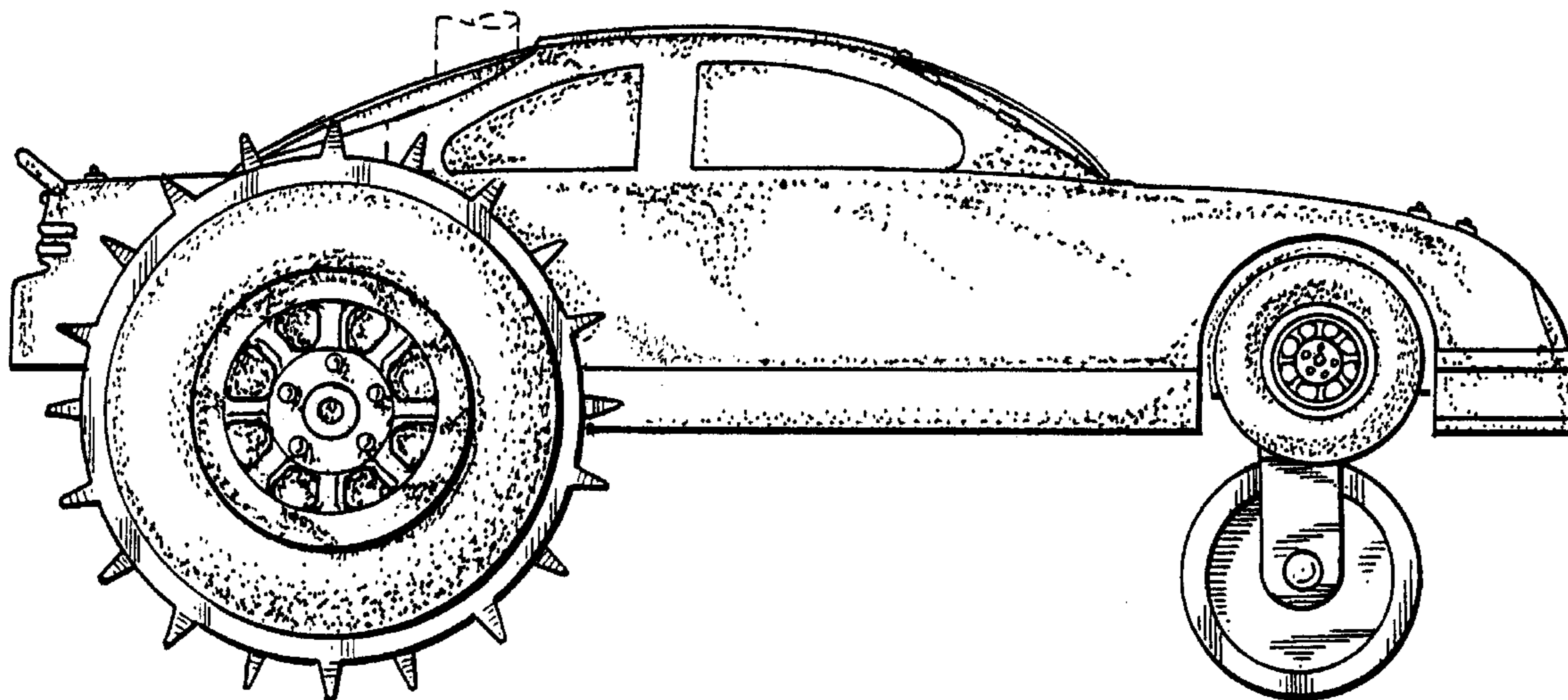
FIG. 8 is a back view of the stock car sprinkler.

(56) **References Cited**

**U.S. PATENT DOCUMENTS**

2,883,116 A \* 4/1959 Muench ..... D23/219

**1 Claim, 6 Drawing Sheets**



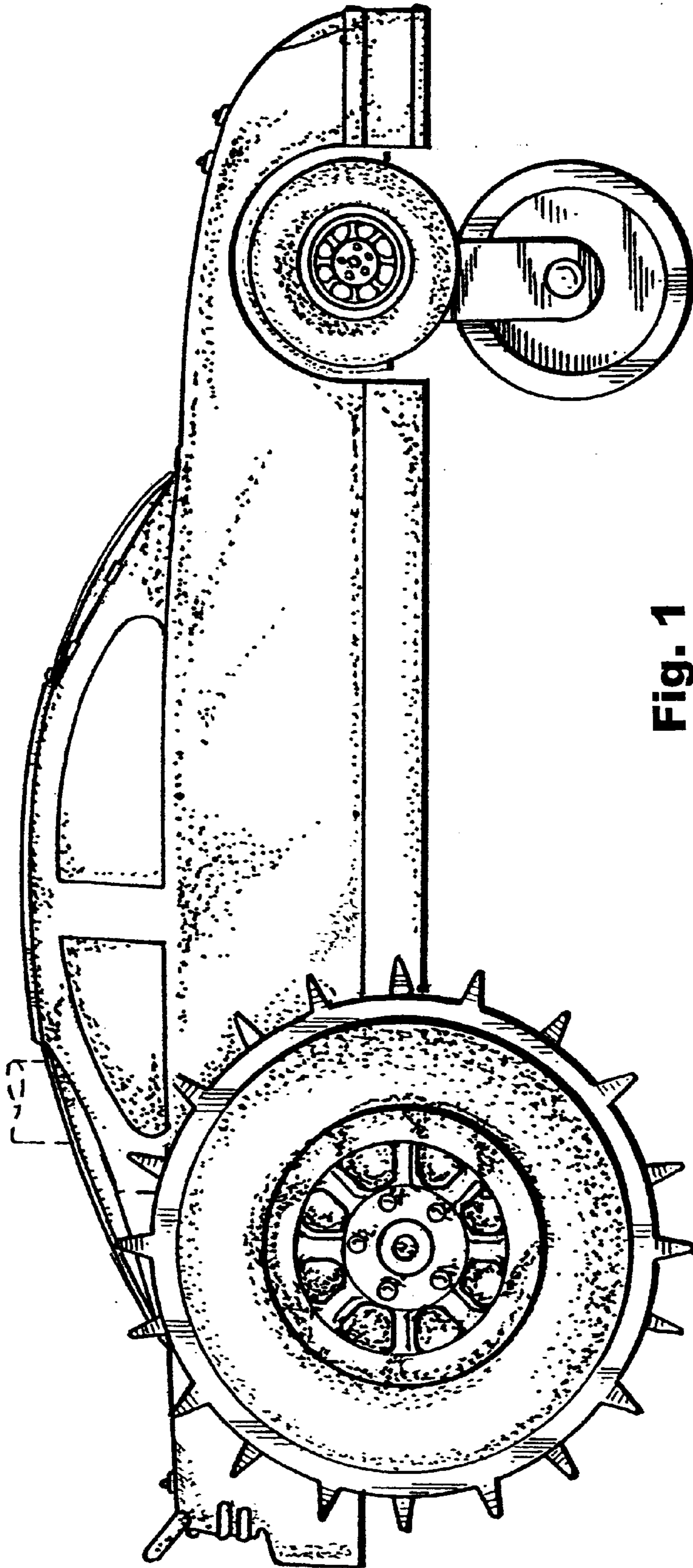


Fig. 1

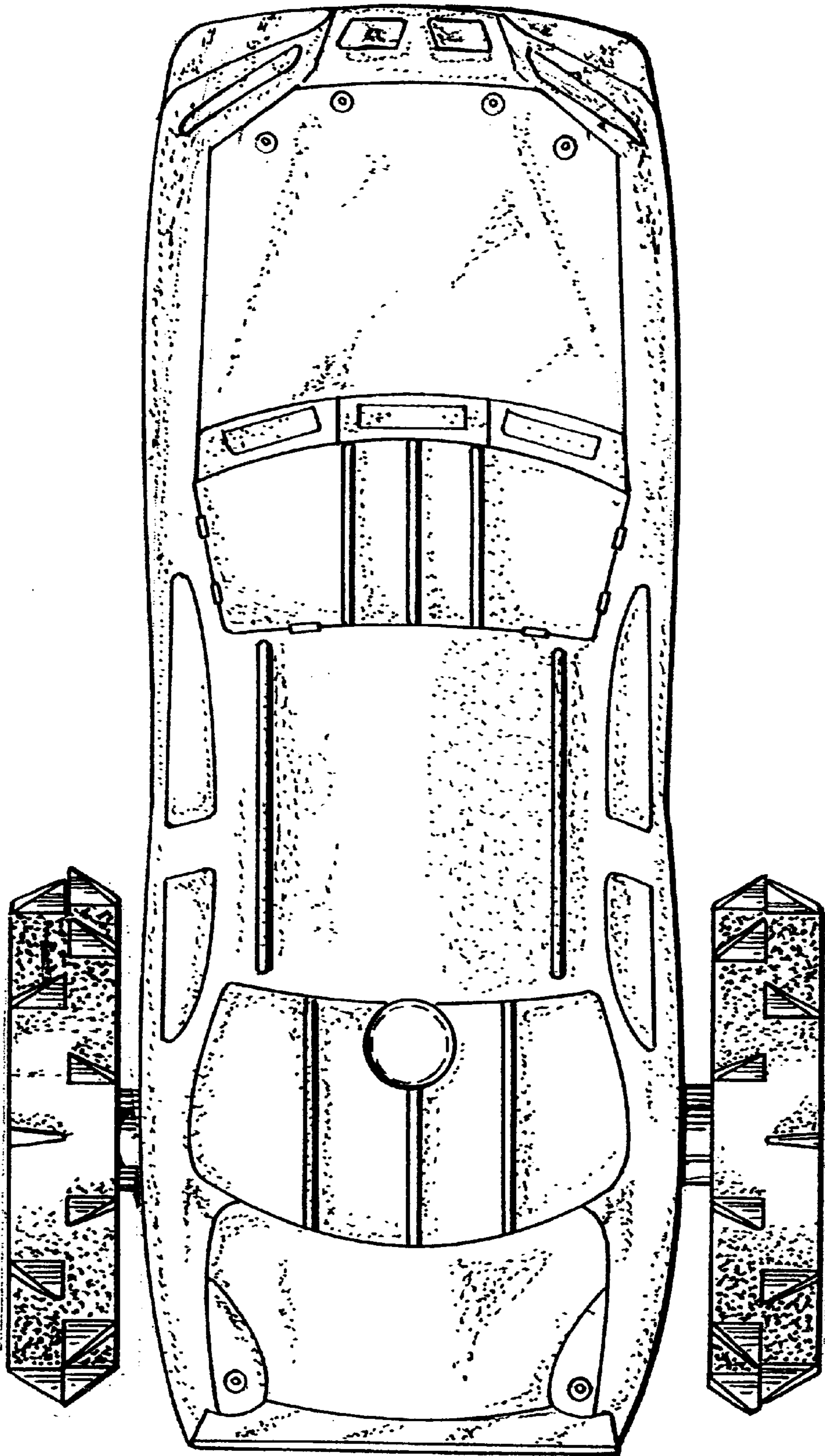


Fig. 2

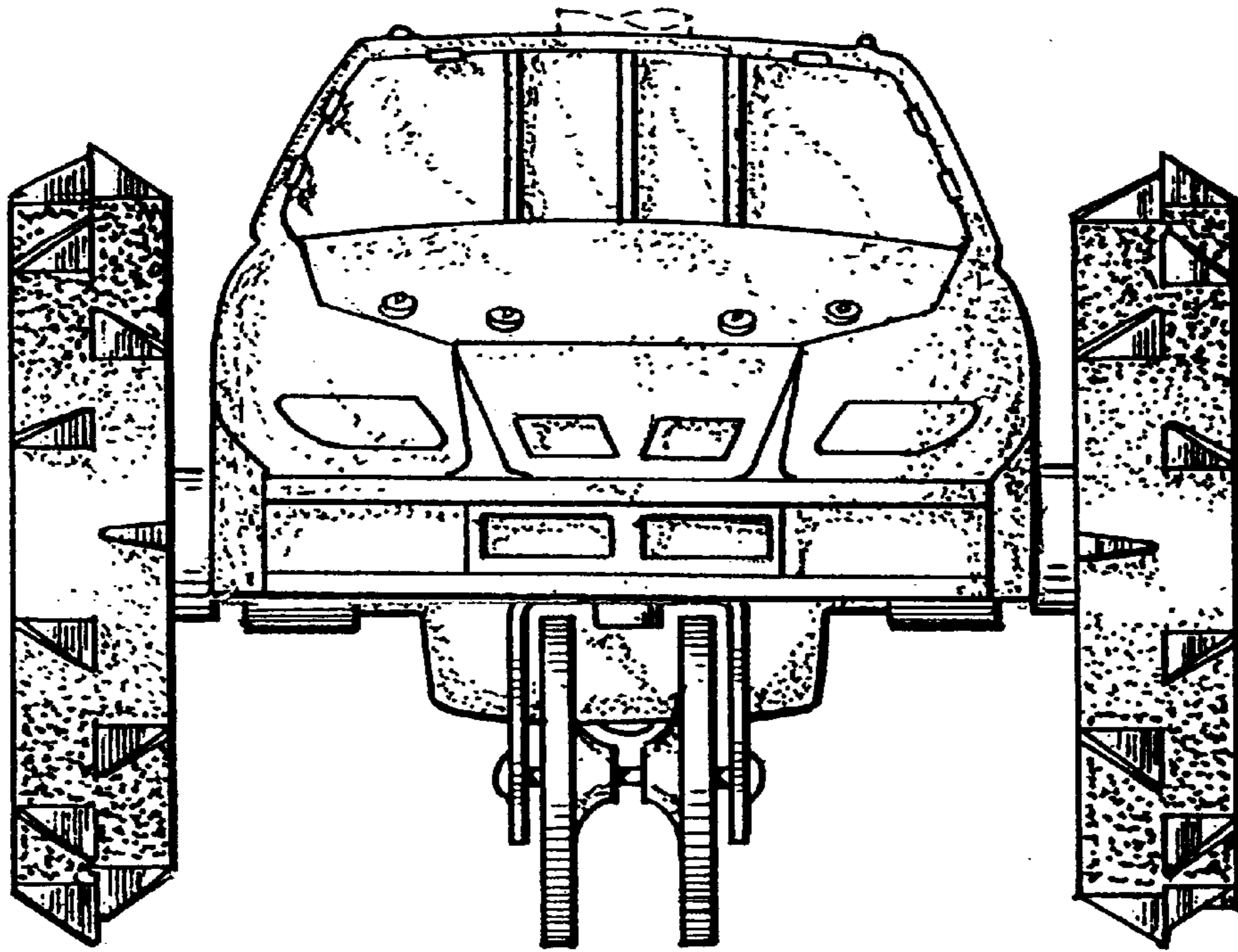


Fig. 3

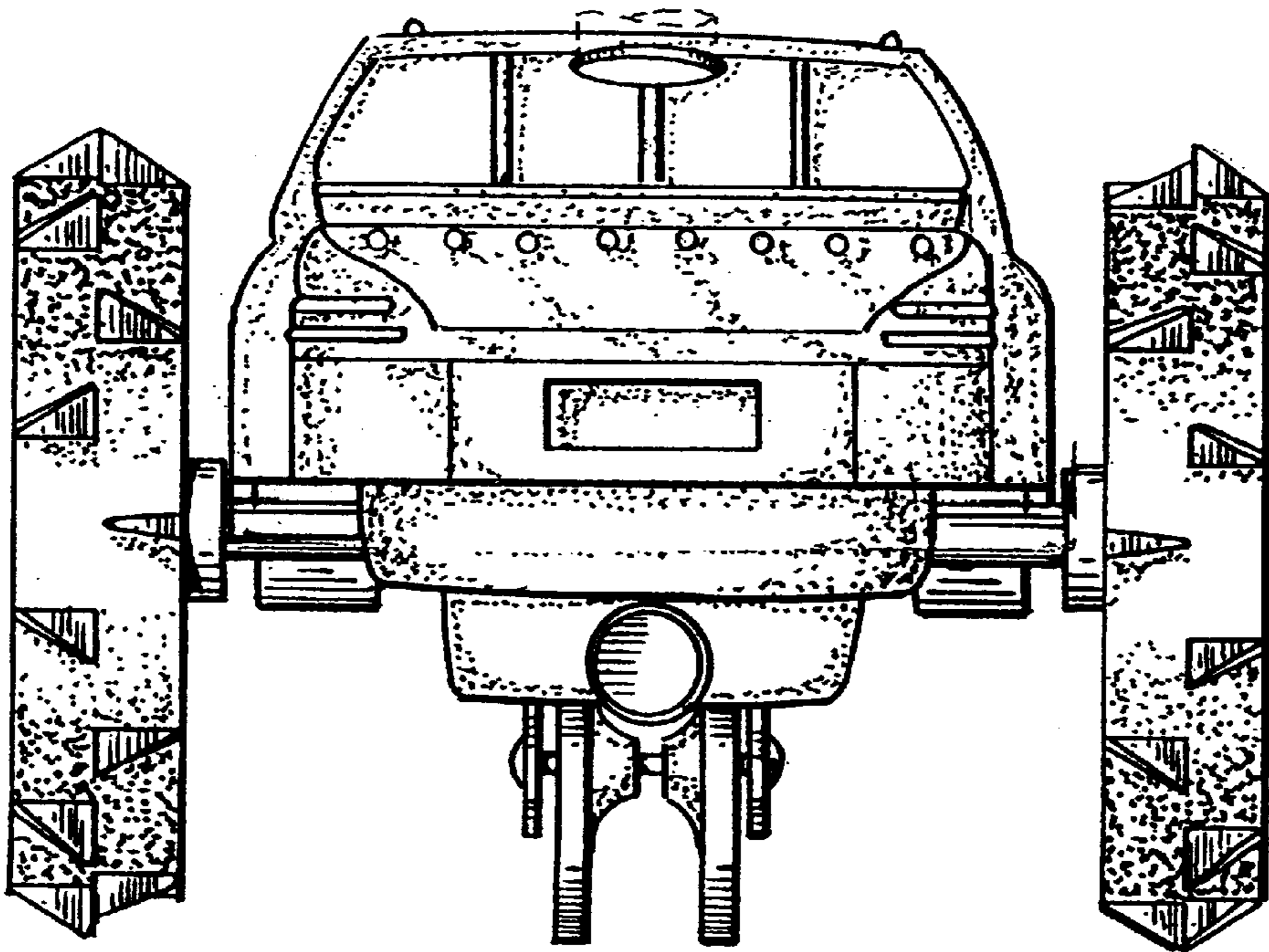


Fig. 4

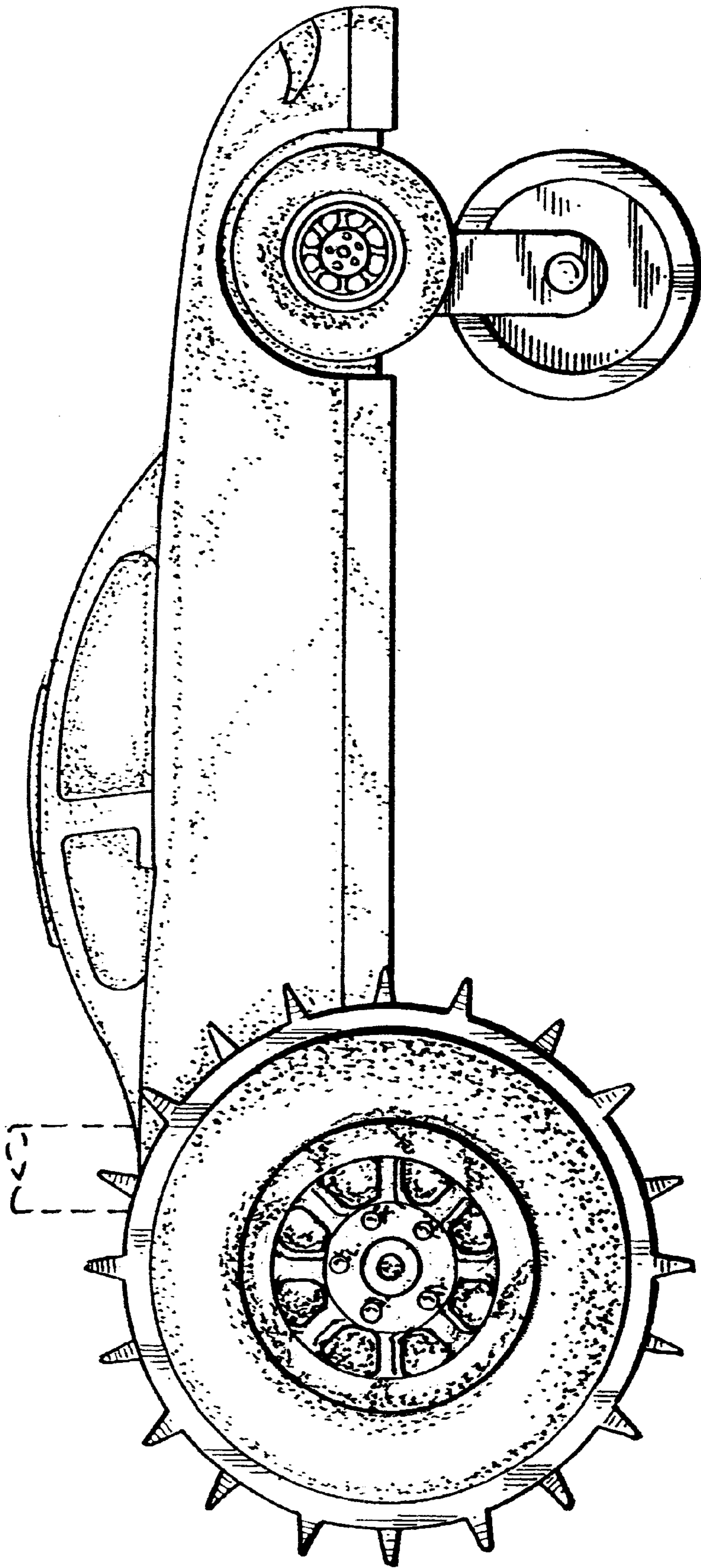


Fig. 5

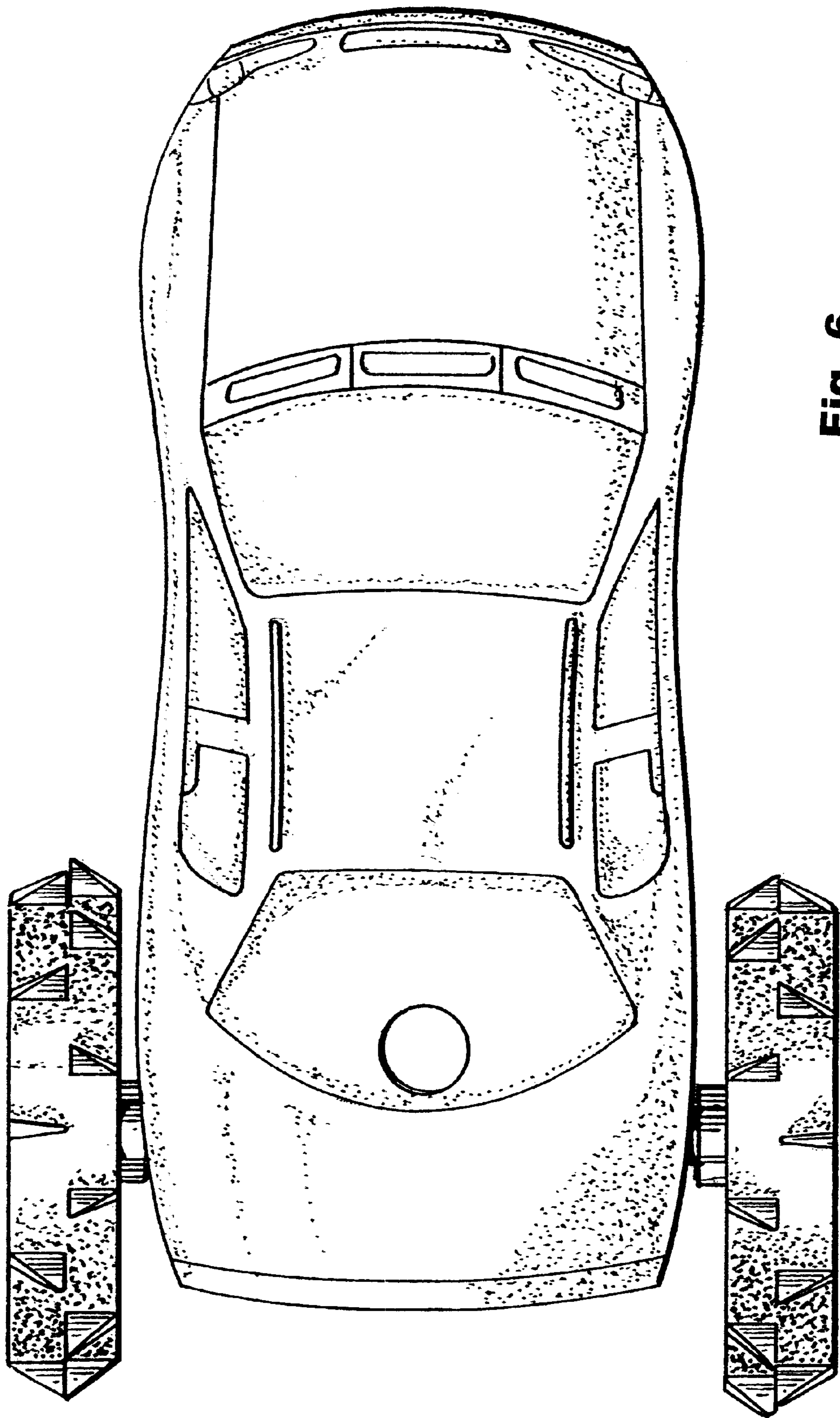
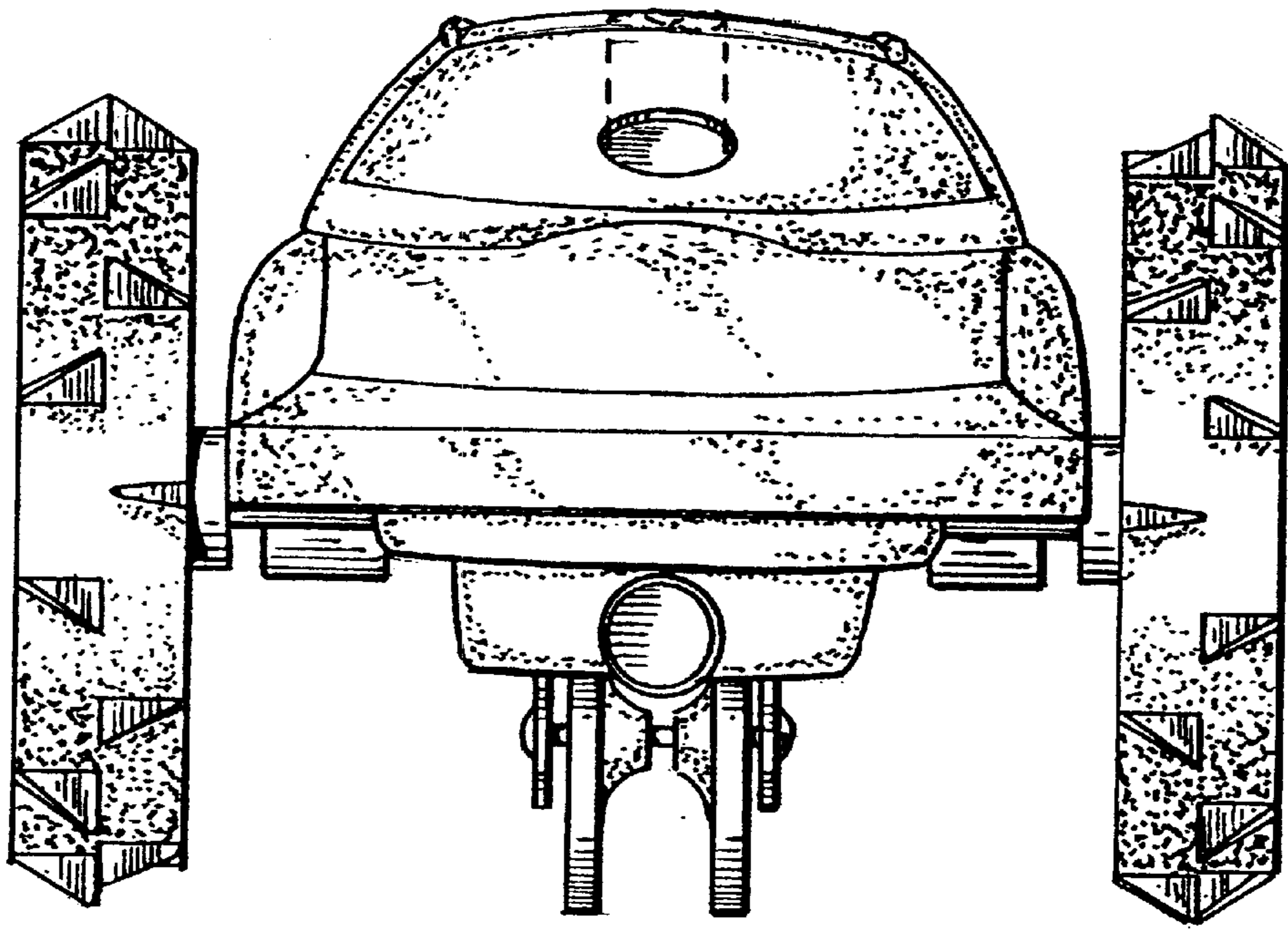
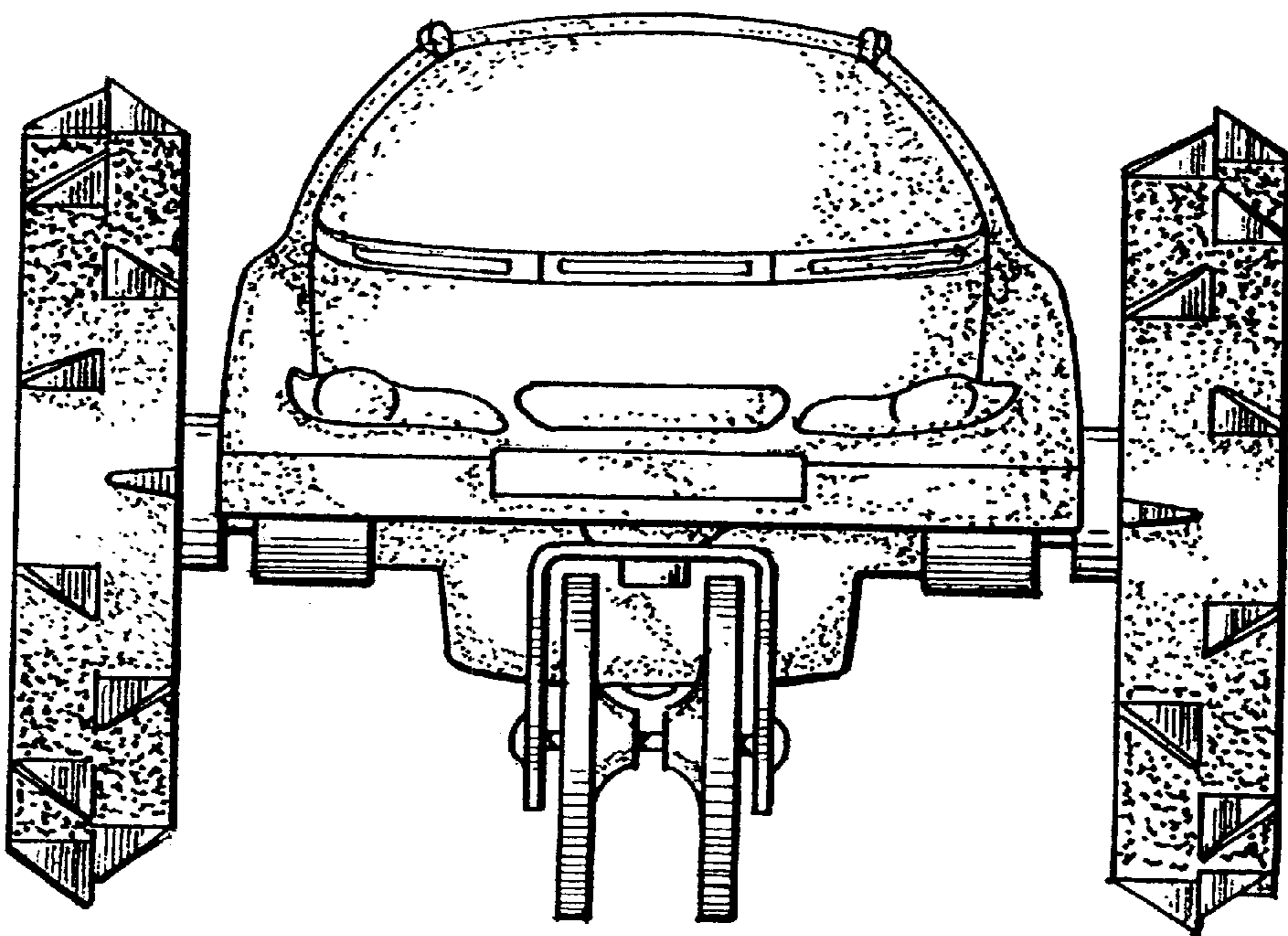


Fig. 6



**Fig. 7**



**Fig. 8**