



US00D476059S

(12) **United States Design Patent**
Huang

(10) **Patent No.:** **US D476,059 S**

(45) **Date of Patent:** **** Jun. 17, 2003**

(54) **SHOWER HEAD FIXTURE**

(75) Inventor: **Linchuan Huang**, Guanian (CN)

(73) Assignee: **Waxman Consumer Products Group Inc.**, Aurora, OH (US)

(**) Term: **14 Years**

(21) Appl. No.: **29/165,581**

(22) Filed: **Aug. 13, 2002**

(51) **LOC (7) Cl.** **23-01**

(52) **U.S. Cl.** **D23/213; D23/229**

(58) **Field of Search** **D23/213, 229, D23/230; 239/273, 282, 283**

D366,307 S * 1/1996 Doughty D23/213
D426,614 S 6/2000 Wang
6,082,633 A 7/2000 Kephart et al.
D464,708 S * 10/2002 Dempsey et al. D23/229

* cited by examiner

Primary Examiner—Robin V. Taylor

(74) *Attorney, Agent, or Firm*—Watts Hoffmann Fisher & Heinke

(57) **CLAIM**

The ornamental design for a showerhead fixture, as shown and described.

DESCRIPTION

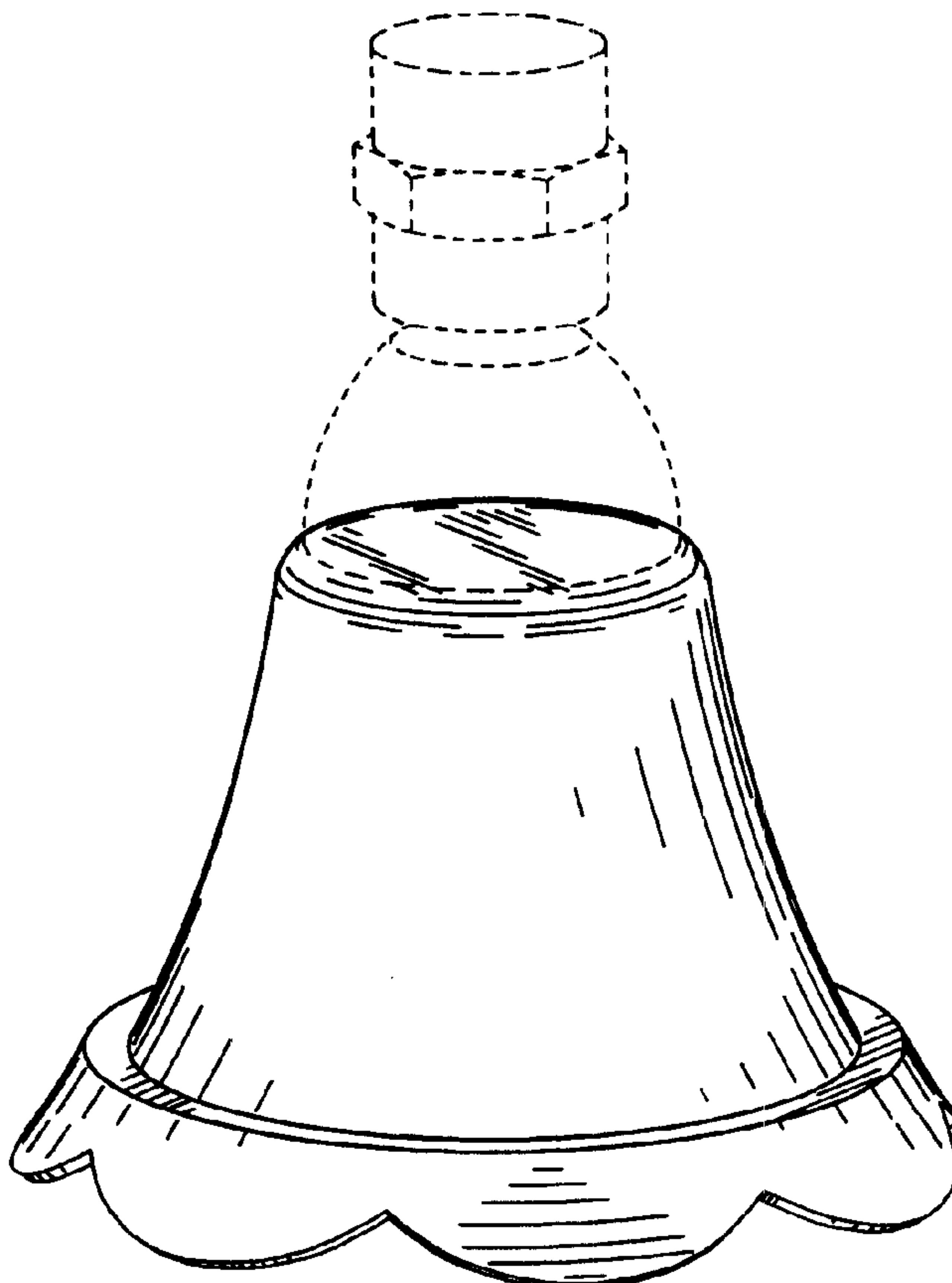
FIG. 1 is a perspective view of a shower head fixture of the present invention;
FIG. 2 is a front elevational view of the shower head fixture;
FIG. 3 is an alternative front elevational view of the shower head fixture;
FIG. 4 is yet another alternative front elevational view of the shower head fixture;
FIG. 5 is a top plan view of the shower head fixture; and,
FIG. 6 is a bottom plan view of the shower head fixture.
The broken lines shown in the Figures are for illustrative purposes only and form no part of the claimed design.

(56) **References Cited**

U.S. PATENT DOCUMENTS

181,614 A	8/1876	Abbott	
D150,296 S	7/1948	Hubbard	
D175,756 S	10/1955	Becker	
D189,119 S	* 10/1960	Kohler D23/213
4,413,362 A	11/1983	Chianco et al.	
D293,708 S	1/1988	Shames et al.	
D294,168 S	2/1988	Fabian	
D329,488 S	9/1992	Santagada	
5,253,807 A	10/1993	Newbegin	
D348,718 S	* 7/1994	Garrison D23/213

1 Claim, 2 Drawing Sheets



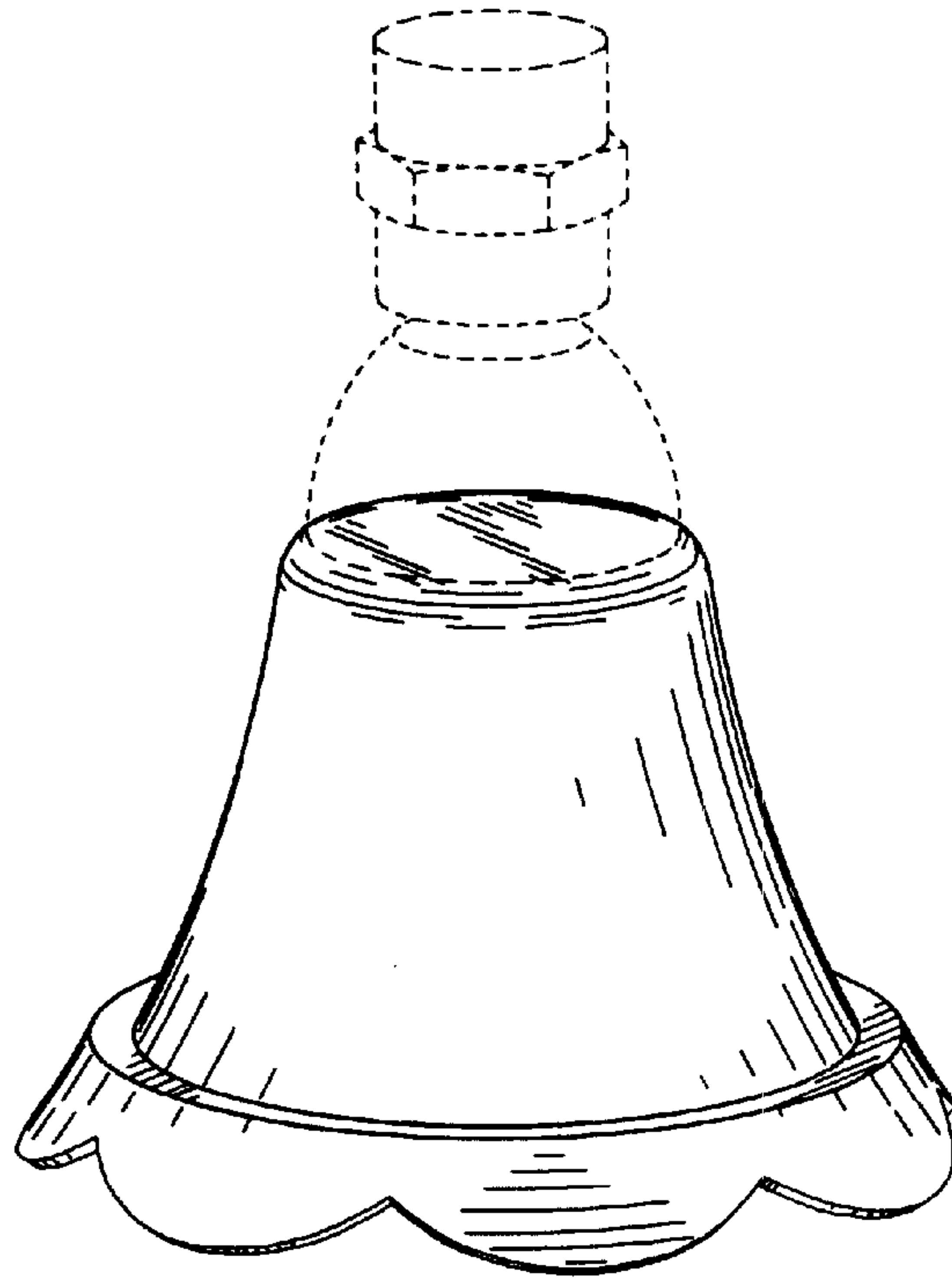


Fig.1

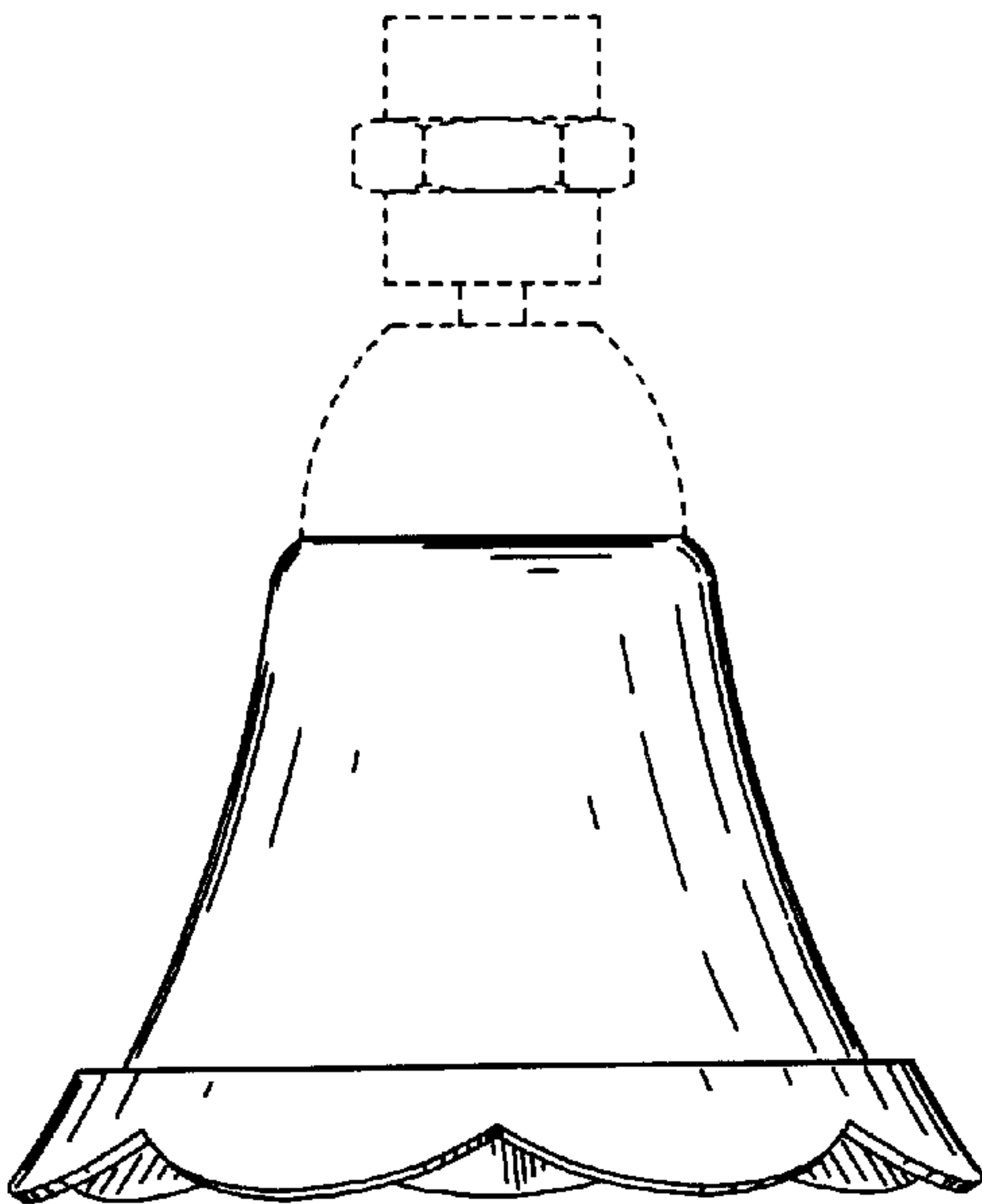


Fig.2

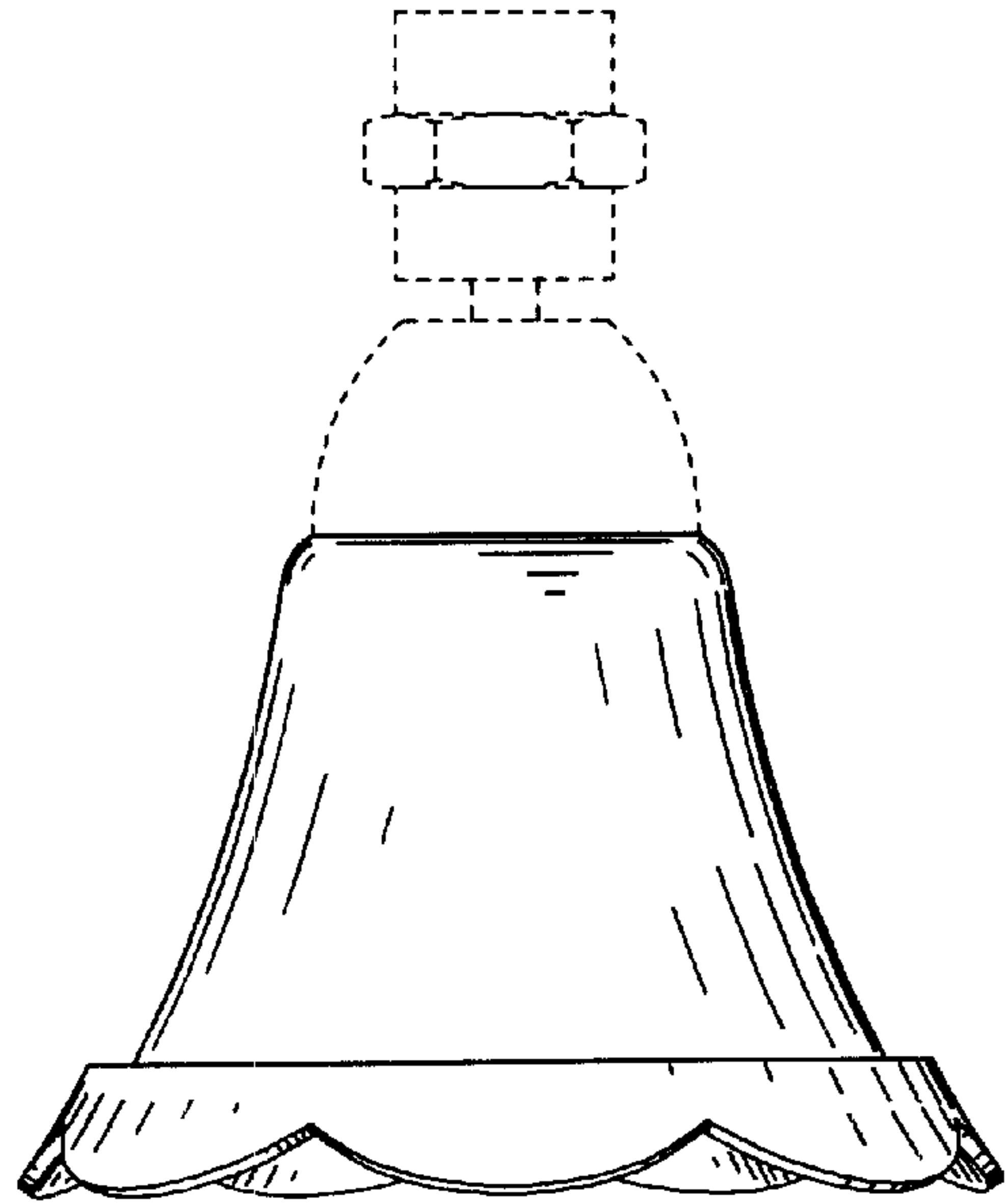


Fig.3

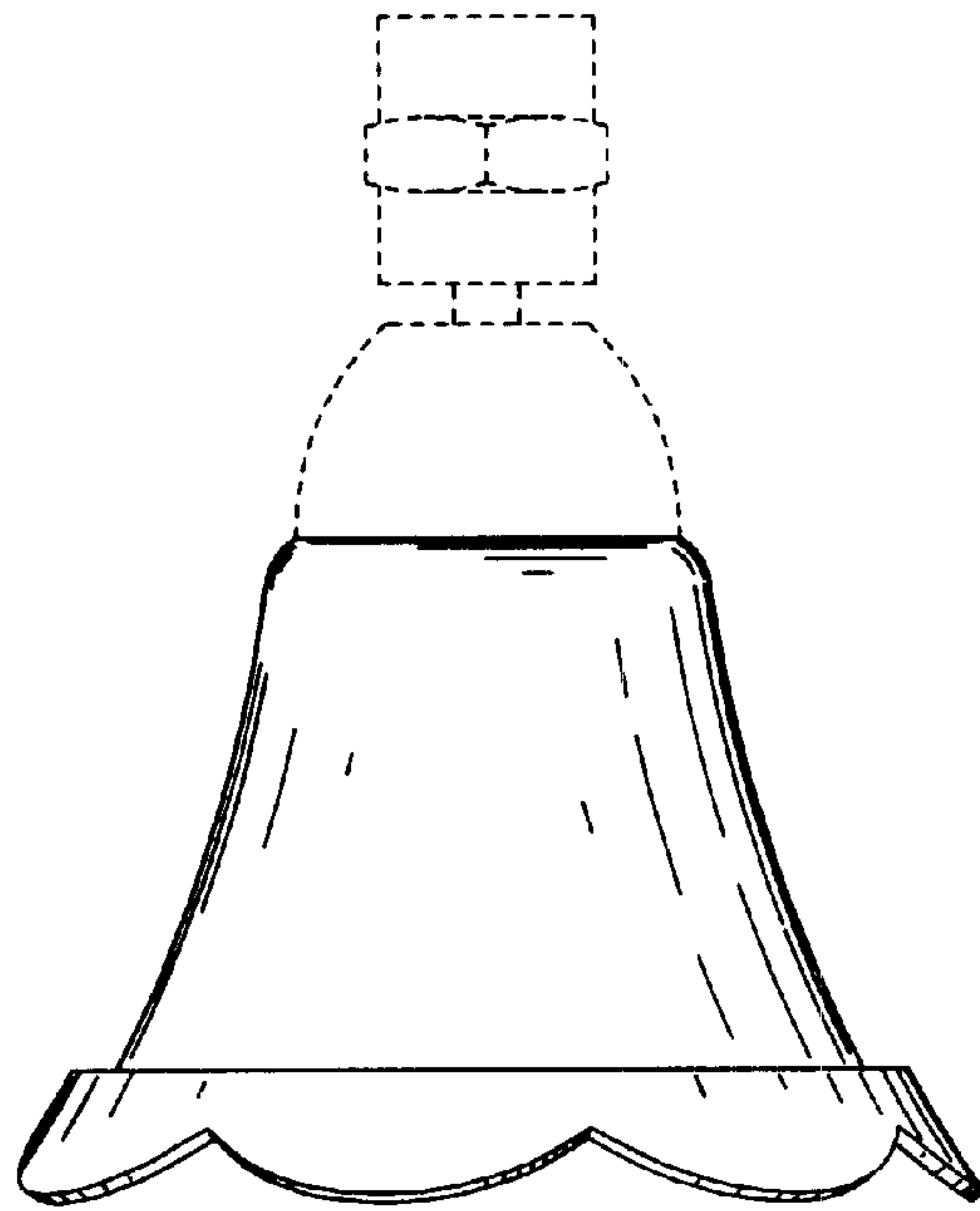


Fig.4

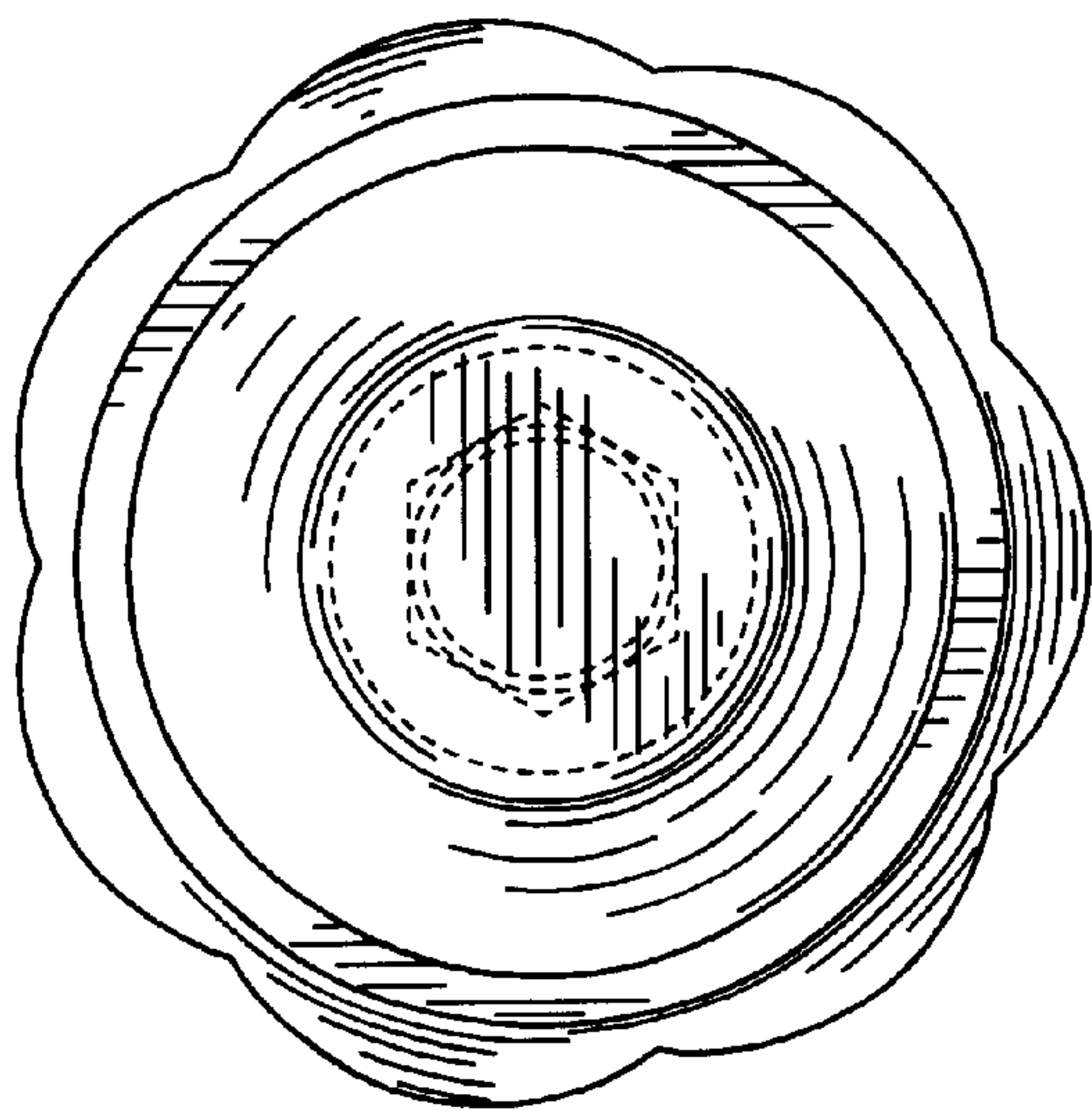


Fig.5

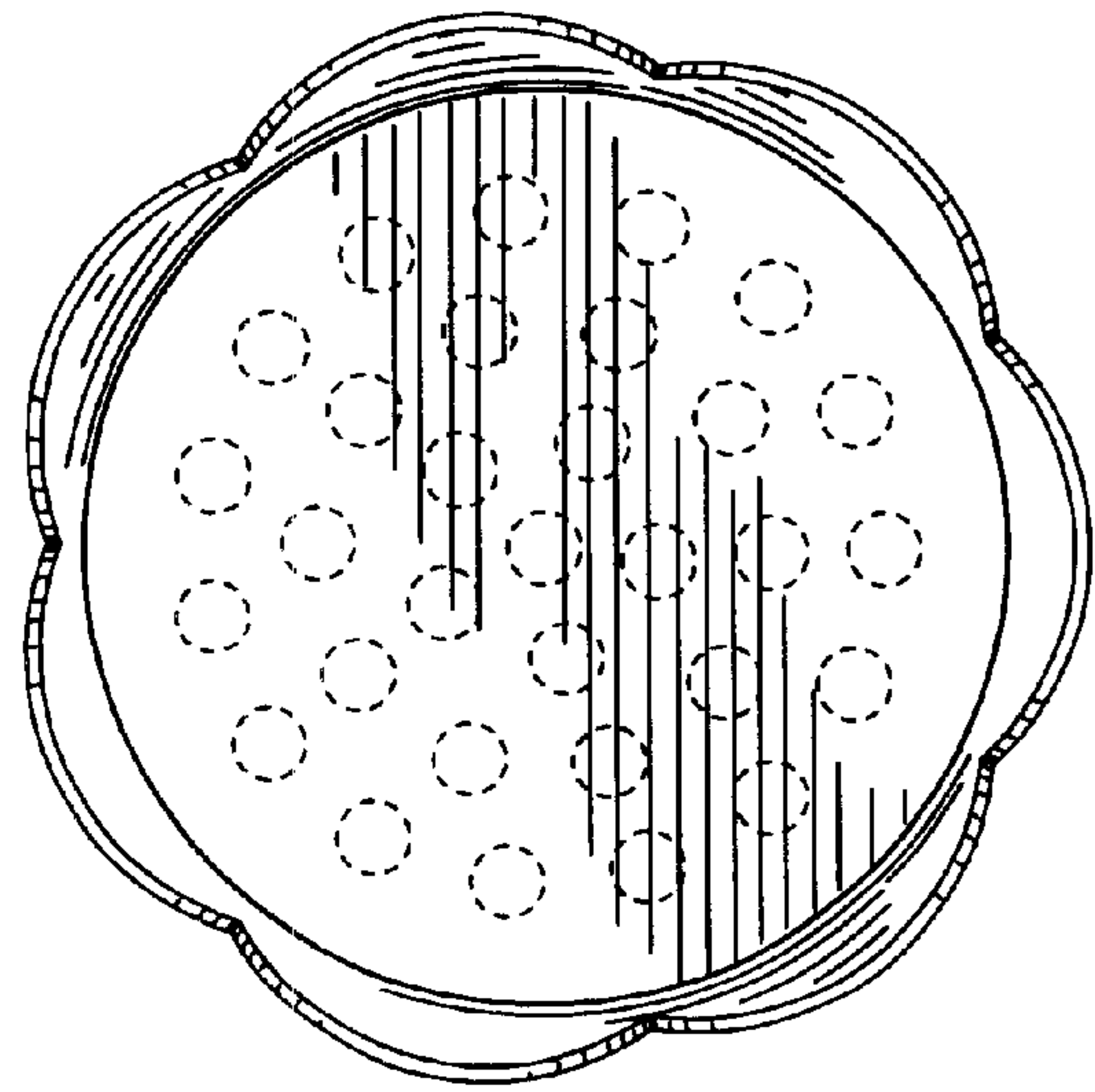


Fig.6