



US00D476058S

(12) **United States Design Patent**  
**Norton**

(10) **Patent No.:** **US D476,058 S**  
(45) **Date of Patent:** **\*\* Jun. 17, 2003**

(54) **CYLINDRICAL FILTER ELEMENT**

(75) Inventor: **Joel A. Norton**, Cookeville, TN (US)

(73) Assignee: **Fleetguard, Inc.**, Nashville, TN (US)

(\*\*) Term: **14 Years**

(21) Appl. No.: **29/167,961**

(22) Filed: **Sep. 24, 2002**

**Related U.S. Application Data**

(62) Division of application No. 29/118,569, filed on Feb. 10, 2000, now Pat. No. Des. 468,797.

(51) **LOC (7) Cl.** ..... **23-01**

(52) **U.S. Cl.** ..... **D23/209**

(58) **Field of Search** ..... D23/207, 209,  
D23/365; 210/499, 497.01, 497.1, 493.1,  
493.2, 493.4

(56) **References Cited**

**U.S. PATENT DOCUMENTS**

|             |           |                     |            |
|-------------|-----------|---------------------|------------|
| 3,241,680 A | 3/1966    | Humbert, Jr. ....   | 210/457    |
| 3,442,392 A | 5/1969    | Skelley .....       | 210/491    |
| 3,552,553 A | 1/1971    | Reading .....       | 210/484    |
| 3,747,770 A | 7/1973    | Zentis .....        | 210/402    |
| 4,402,830 A | 9/1983    | Pall .....          | 210/457    |
| D306,640 S  | * 3/1990  | Kott .....          | D23/209    |
| 4,986,900 A | * 1/1991  | Mason .....         | 210/497.01 |
| 5,039,413 A | 8/1991    | Harwood et al. .... | 210/457    |
| 5,211,846 A | * 5/1993  | Kott et al. ....    | 210/493.2  |
| 5,252,207 A | 10/1993   | Miller et al. ....  | 210/335    |
| D349,567 S  | 8/1994    | Miller et al. ....  | D23/365    |
| 5,460,721 A | * 10/1995 | Goodwin .....       | 210/497.1  |
| 5,490,926 A | * 2/1996  | Hammeken .....      | 210/497.1  |
| D374,476 S  | 10/1996   | Page et al. ....    | D23/209    |
| 5,639,370 A | 6/1997    | Fall et al. ....    | 210/489    |
| 5,690,765 A | 11/1997   | Stoyell et al. .... | 156/69     |
| D390,910 S  | 2/1998    | Sundquist .....     | D23/209    |
| D402,734 S  | 12/1998   | Rao et al. ....     | D23/209    |
| 5,846,421 A | * 12/1998 | Ohtani .....        | 210/493.2  |
| D403,741 S  | 1/1999    | Rao et al. ....     | D23/209    |
| D404,796 S  | 1/1999    | Miller et al. ....  | D23/209    |

|            |          |                    |         |
|------------|----------|--------------------|---------|
| D406,315 S | 3/1999   | Rao et al. ....    | D23/209 |
| D406,316 S | 3/1999   | Rao et al. ....    | D23/209 |
| D415,245 S | 10/1999  | Miller et al. .... | D23/209 |
| D415,819 S | 10/1999  | Miller et al. .... | D23/209 |
| D417,715 S | 12/1999  | Miller et al. .... | D23/209 |
| D418,197 S | 12/1999  | Miller et al. .... | D23/209 |
| D420,095 S | * 2/2000 | Miller et al. .... | D23/209 |

\* cited by examiner

*Primary Examiner*—Robin V. Taylor  
(74) *Attorney, Agent, or Firm*—Woodard, Emhardt, Naughton, Moriarty & McNett LLP

(57) **CLAIM**

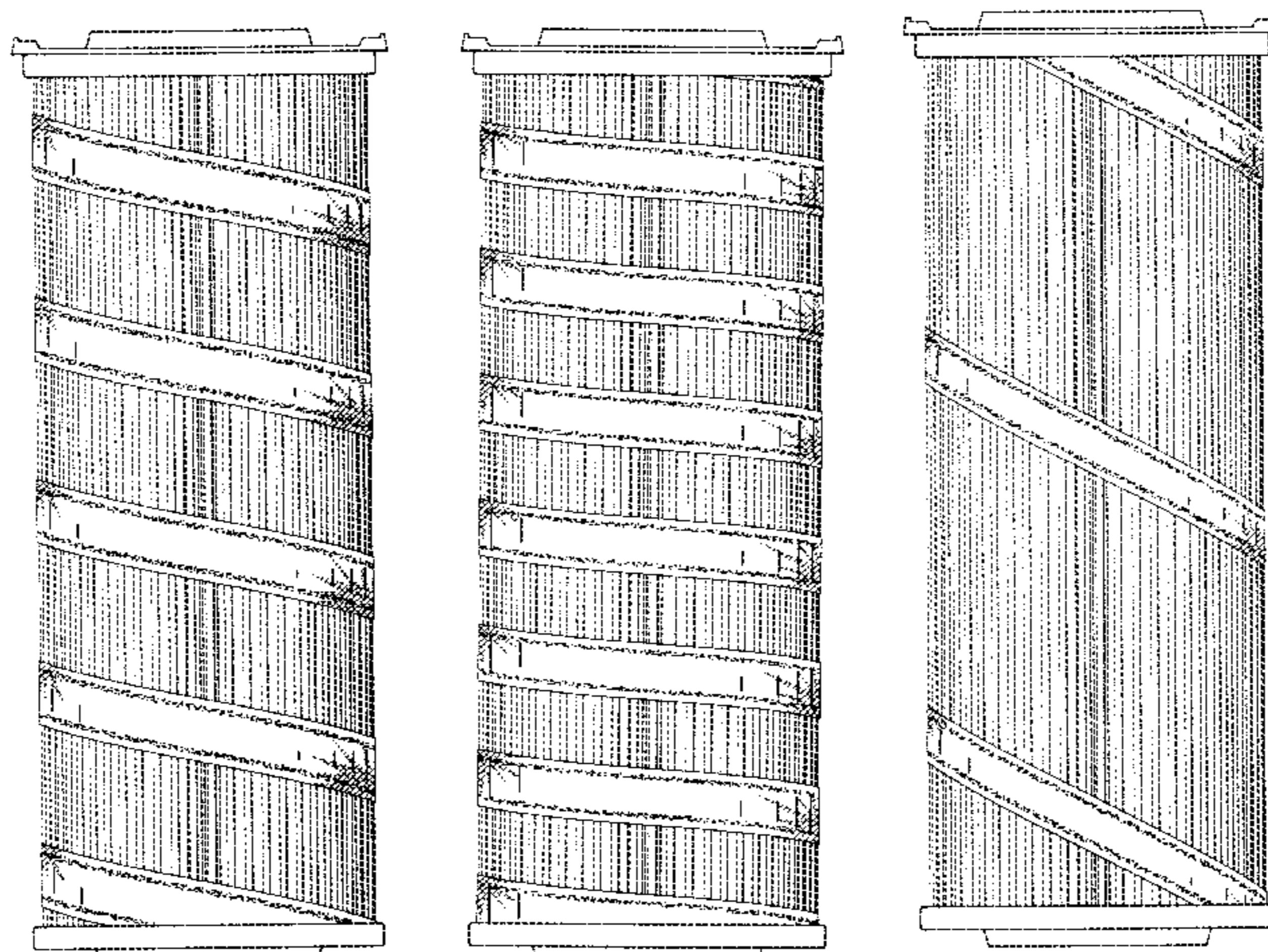
I claim the ornamental design for cylindrical filter element, as shown and described.

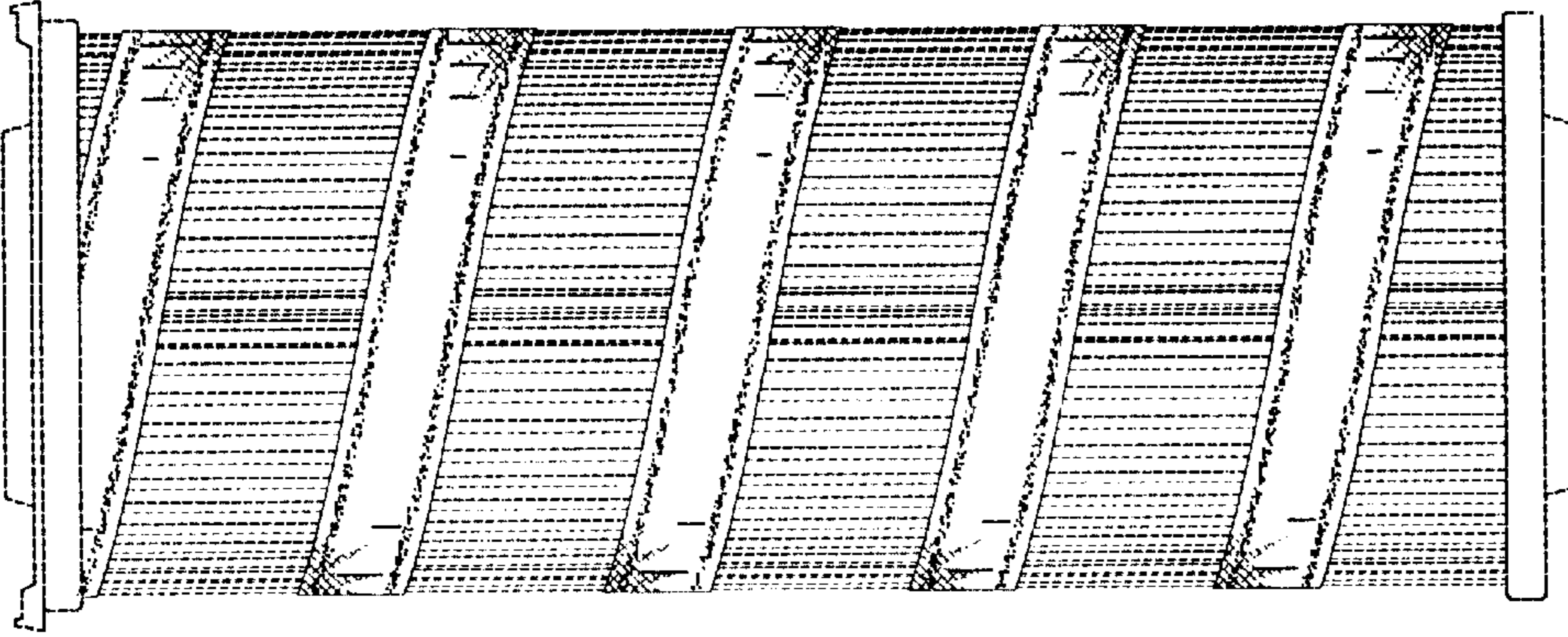
**DESCRIPTION**

FIG. 1 is a front elevational view of a cylindrical filter element showing one embodiment of my new design; FIG. 2 is a right side elevational view thereof; and, FIG. 3 is a rear elevational view thereof. FIG. 4 is a front elevational view of a cylindrical filter element showing another embodiment of my new design; FIG. 5 is a right side elevational view thereof; and, FIG. 6 is a rear elevational view thereof. FIG. 7 is a front elevational view of a cylindrical filter element showing another embodiment of my new design; FIG. 8 is a right side elevational view thereof; and, FIG. 9 is a rear elevational view thereof. FIG. 10 is a front elevational view of a cylindrical filter element showing another embodiment of my new design; FIG. 11 is a right side elevational view thereof; and, FIG. 12 is a rear elevational view thereof. The broken line showing of environmental structure in FIGS. 1–12 is for illustrative purposes only and forms no part of the claimed design.

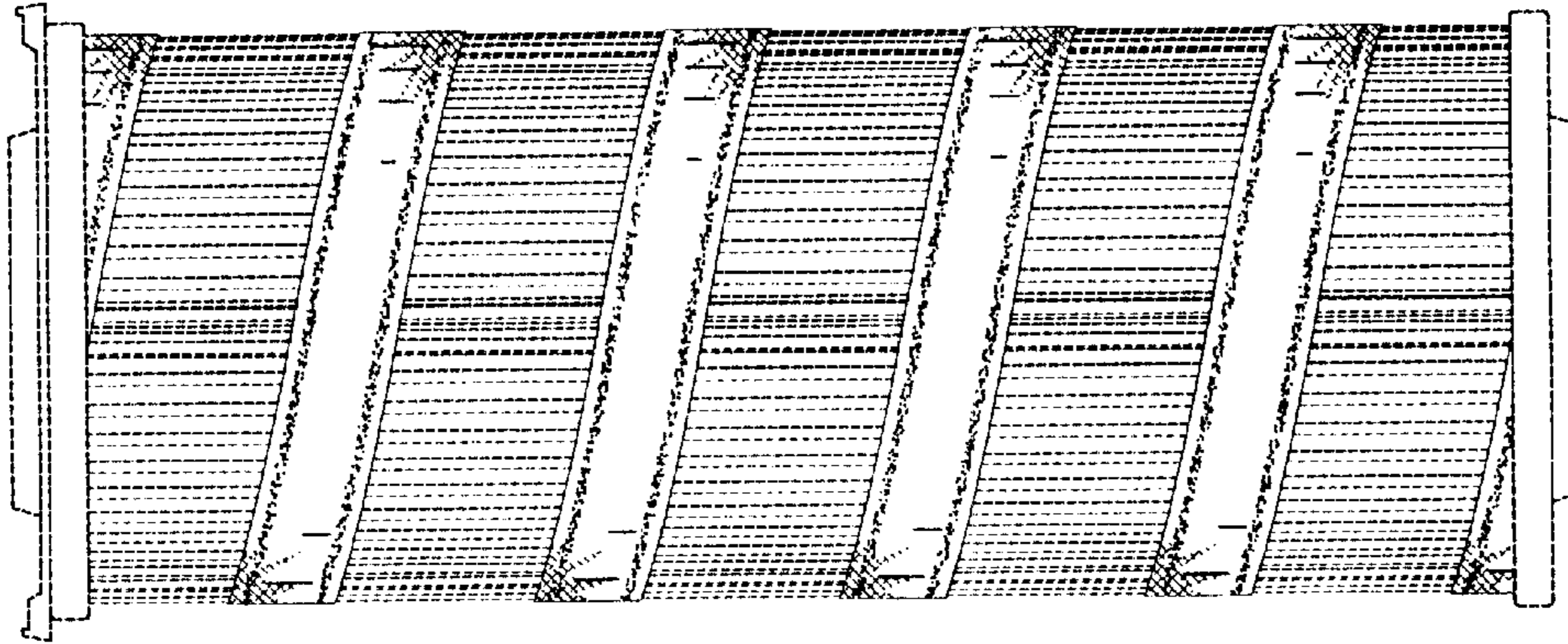
Characteristic features of the design include the larger open areas compared to the area covered by the spiral wrap and the edge pattern of the two beads of adhesive which are visible through the spiral wrap.

**1 Claim, 4 Drawing Sheets**

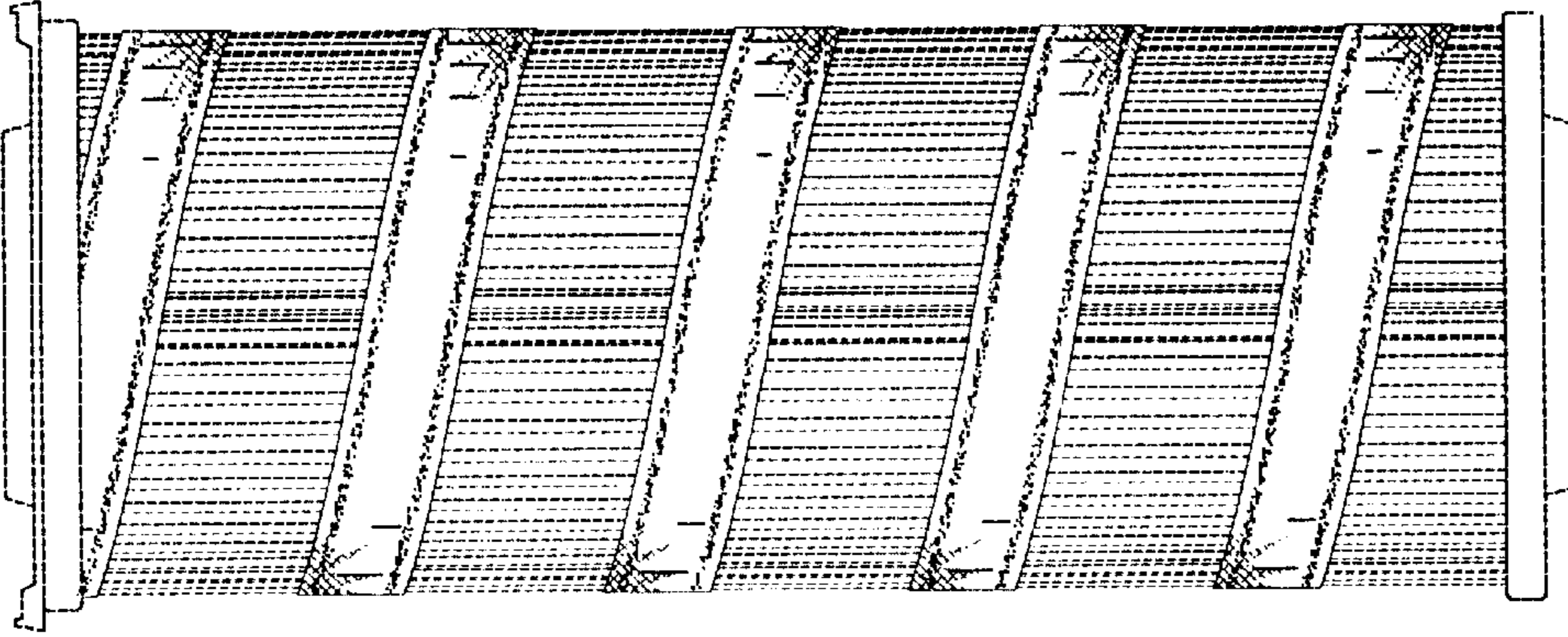




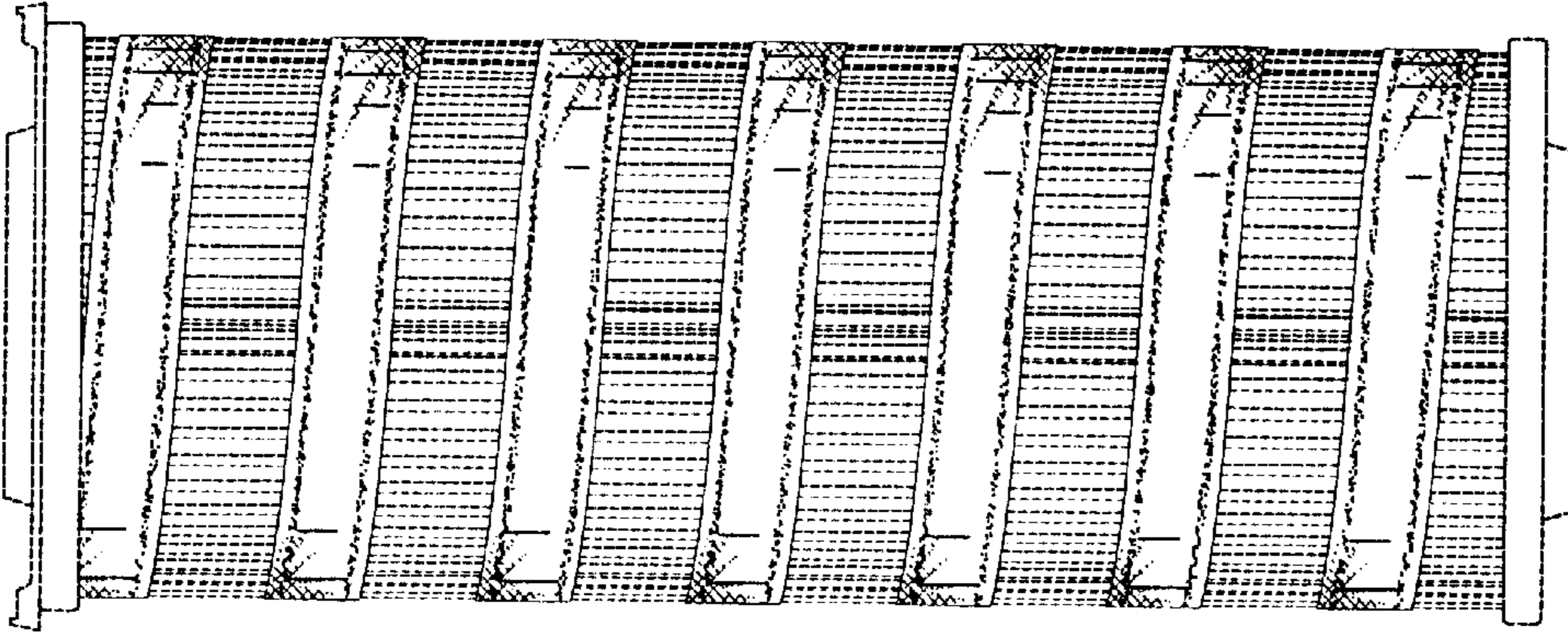
**Fig. 1**



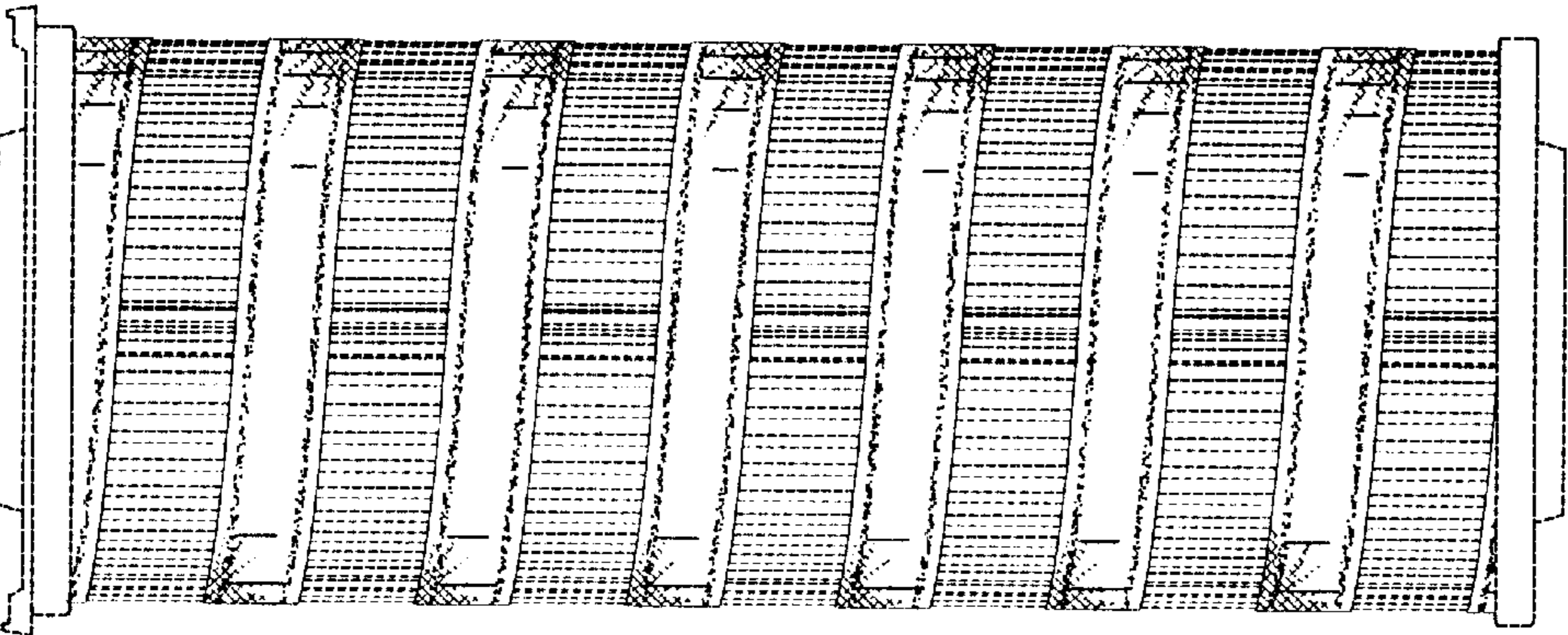
**Fig. 2**



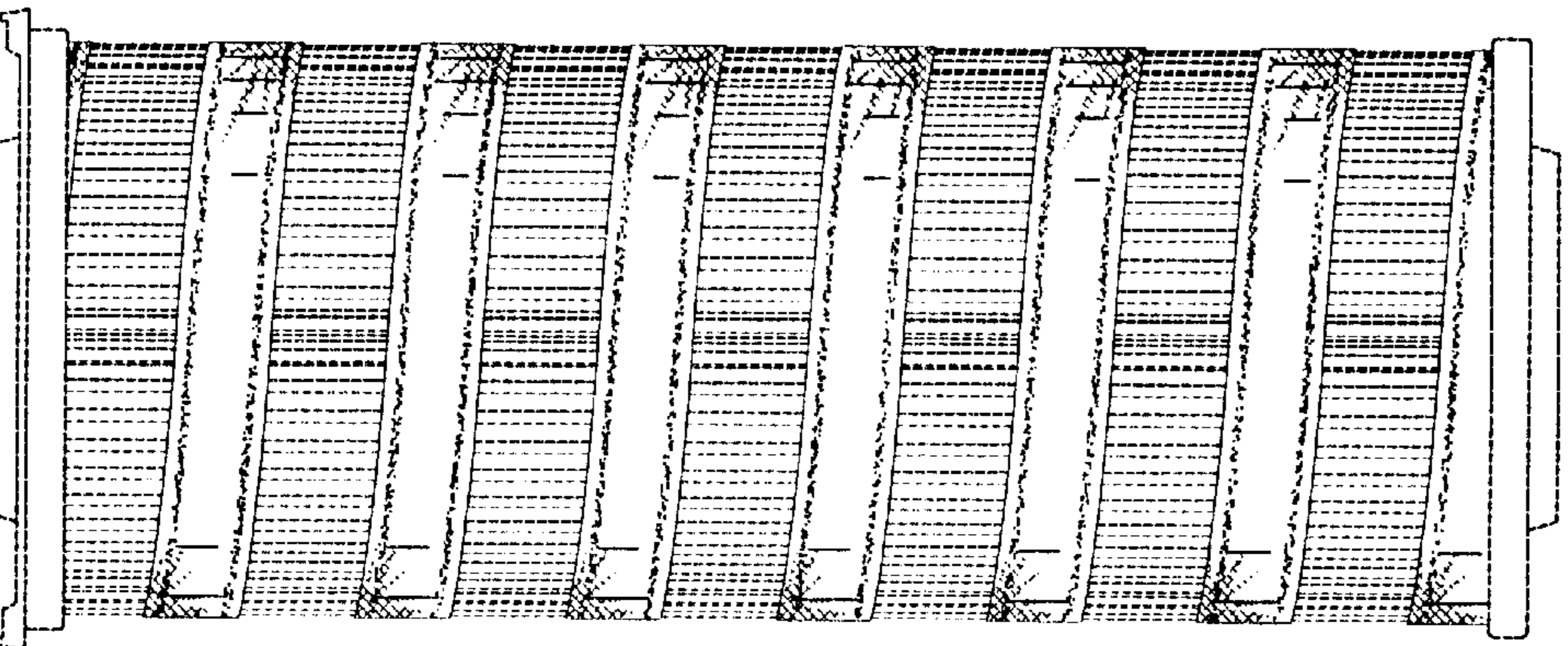
**Fig. 3**



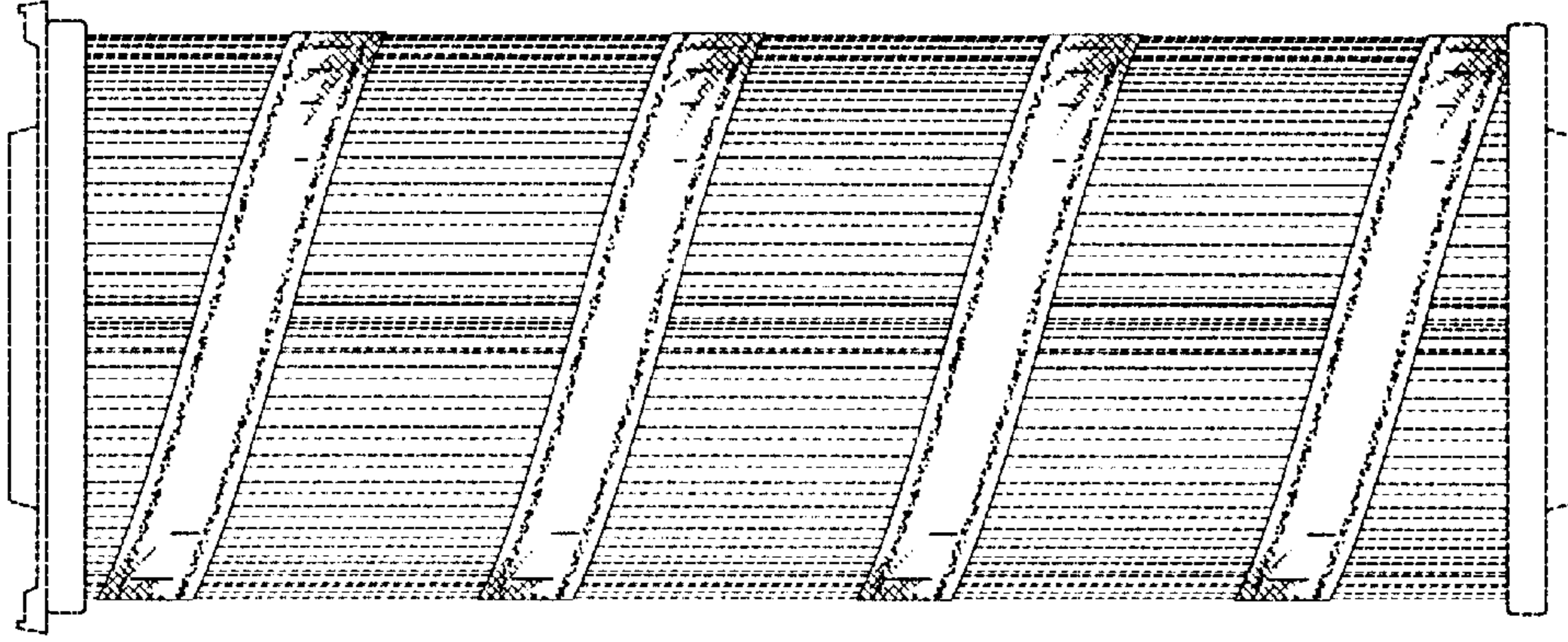
**Fig. 4**



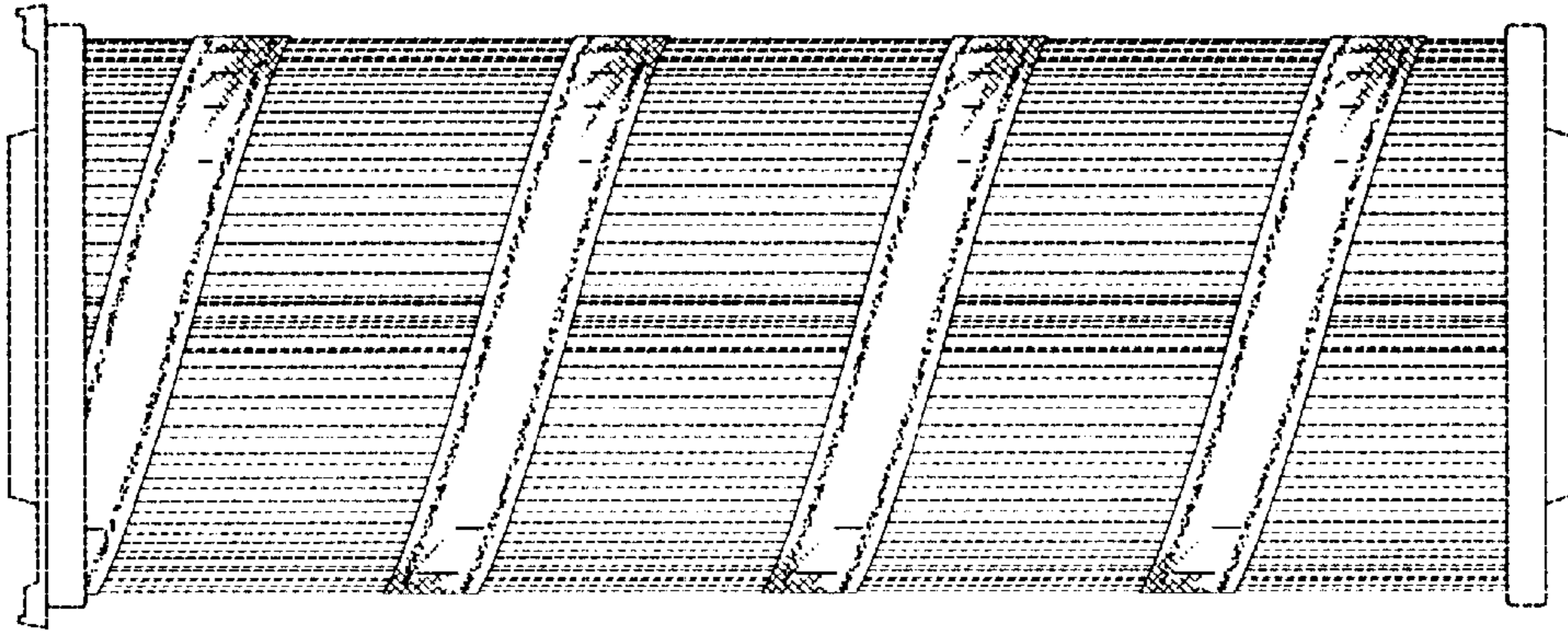
**Fig. 5**



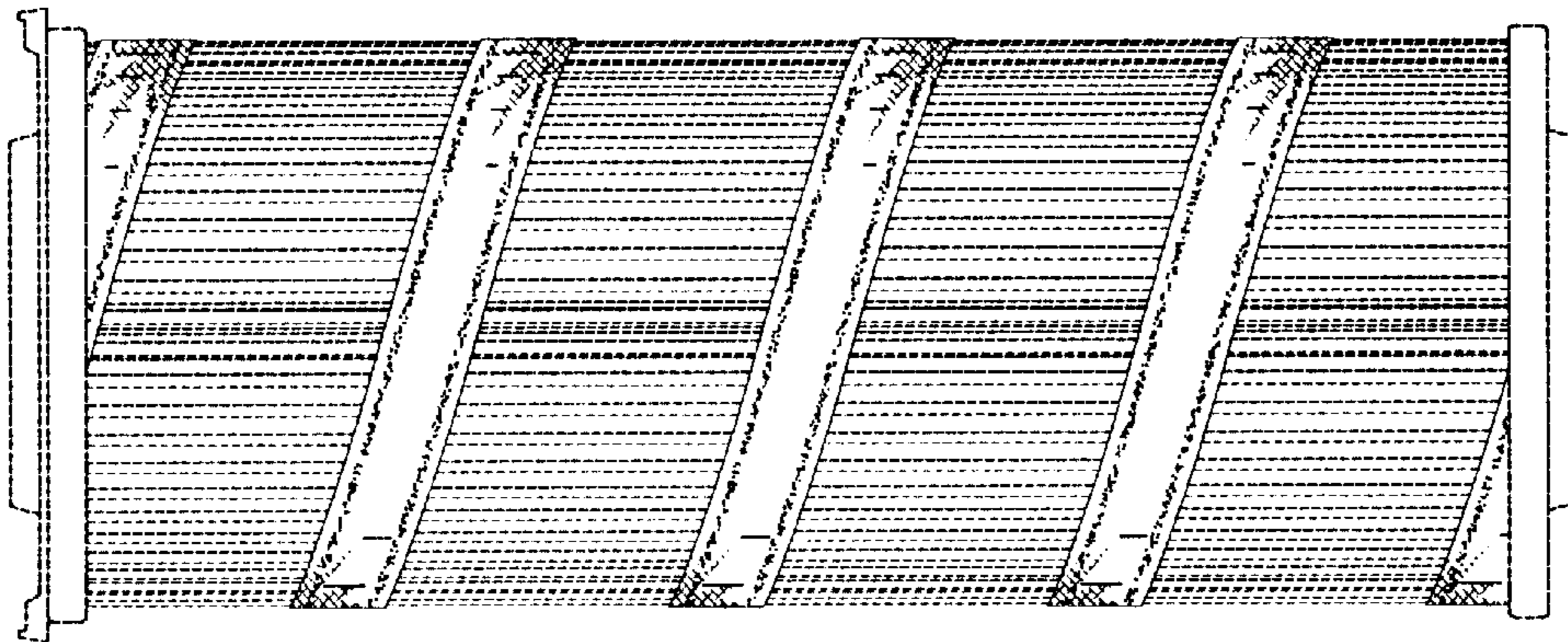
**Fig. 6**



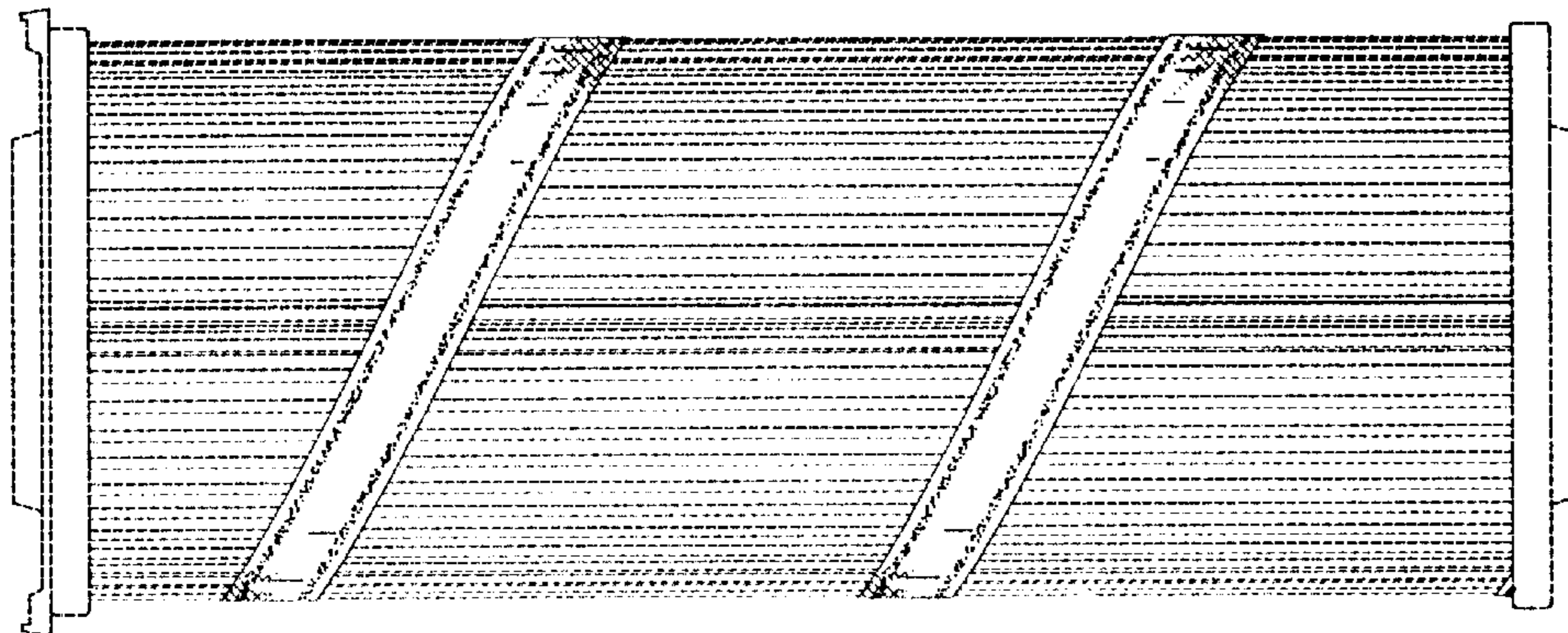
**Fig. 9**



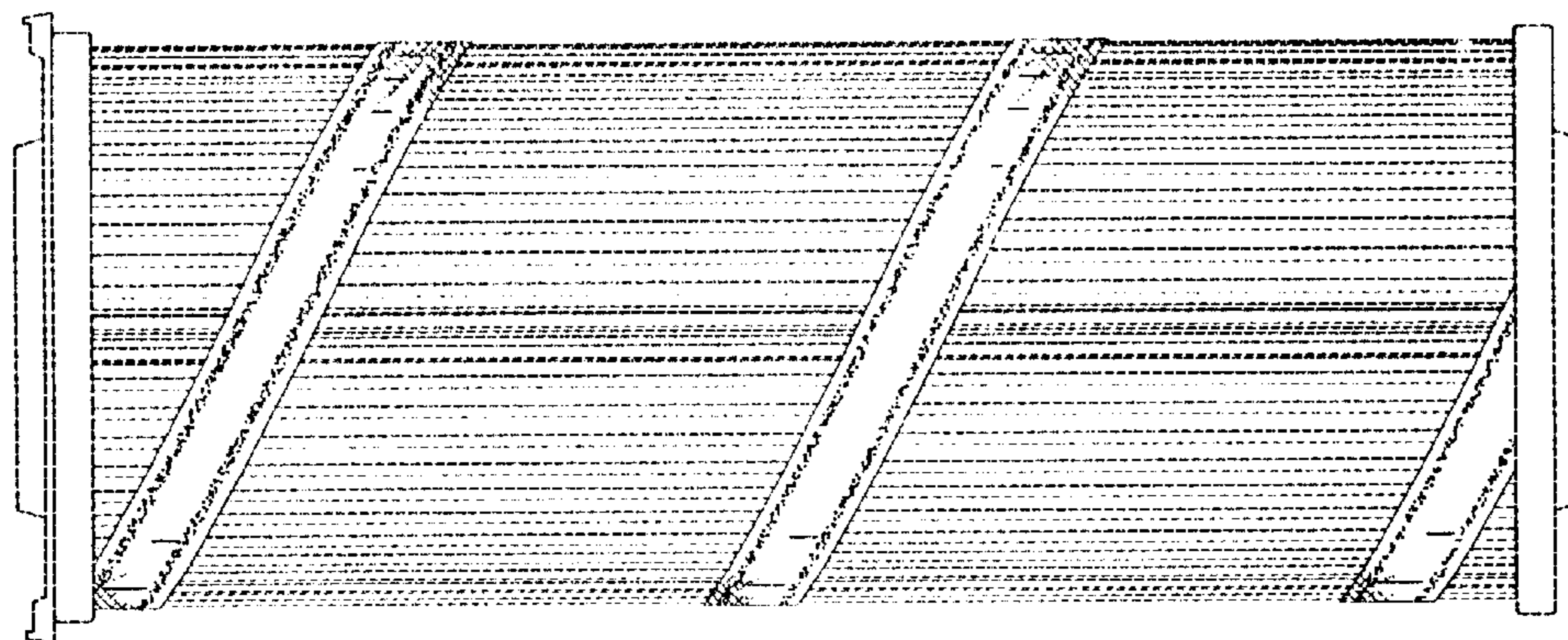
**Fig. 8**



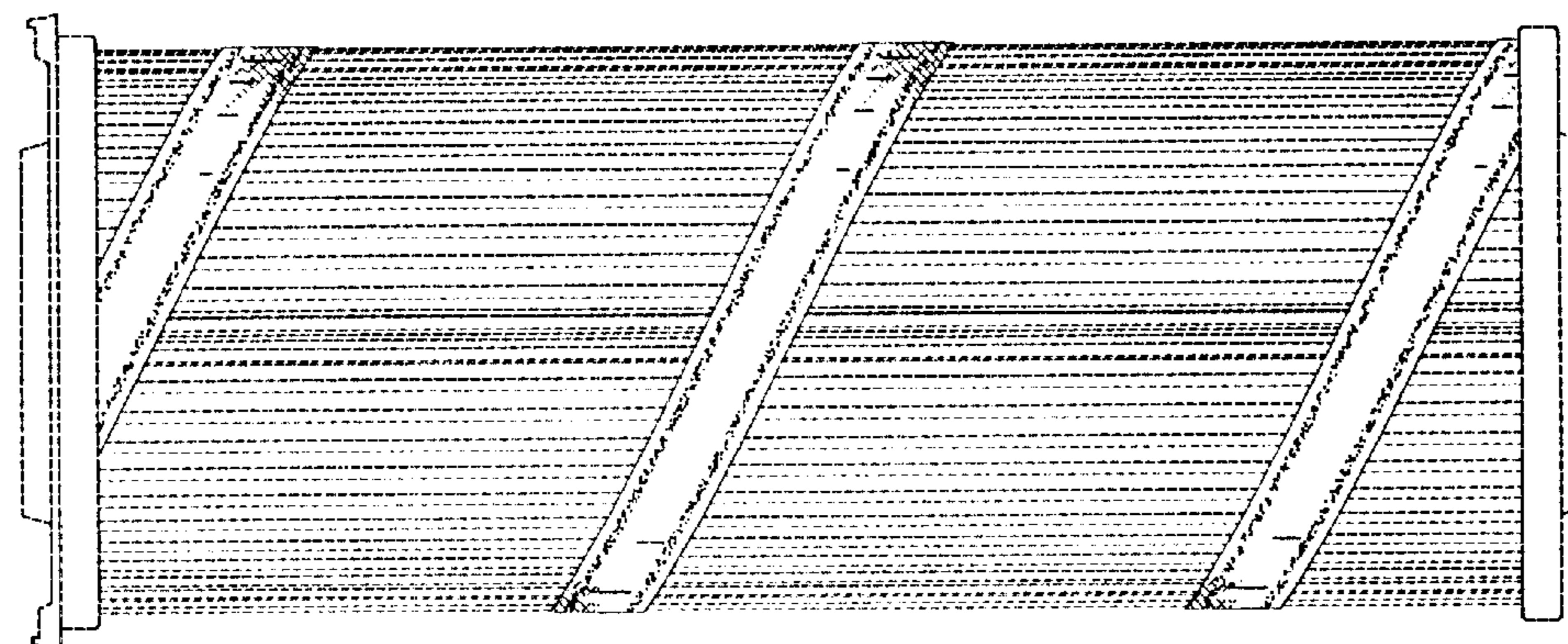
**Fig. 7**



**Fig. 12**



**Fig. 11**



**Fig. 10**