



US00D476057S

(12) **United States Design Patent**
Nguyen et al.

(10) **Patent No.:** **US D476,057 S**
(45) **Date of Patent:** **** Jun. 17, 2003**

(54) **DISPENSER AND CHEMICAL CARTRIDGE COMBINATION**

(75) Inventors: **Jack T. Nguyen**, Rancho Santa Margarita, CA (US); **Farid Maiwandi**, Laguna Hills, CA (US); **Dan Lohde**, Aliso Viejo, CA (US); **Christopher A. Coppock**, Laguna Niguel, CA (US); **Troy A. Bell**, Irvine, CA (US)

(73) Assignee: **Fluidmaster, Inc.**, San Juan Capistrano, CA (US)

(**) Term: **14 Years**

(21) Appl. No.: **29/164,677**

(22) Filed: **Jul. 30, 2002**

(51) **LOC (7) Cl.** **23-01**

(52) **U.S. Cl.** **D23/208**

(58) **Field of Search** D23/208; 4/231, 4/223, 225.1, 227.1

(56) **References Cited**

U.S. PATENT DOCUMENTS

D307,625 S	*	5/1990	King et al.	D23/208
D308,409 S	*	6/1990	Hoyt et al.	D23/208
D365,138 S	*	12/1995	Puri	D23/208
D395,071 S	*	6/1998	Bodker et al.	D23/208
D400,965 S	*	11/1998	Akwei	D23/208

* cited by examiner

Primary Examiner—Robin V. Taylor

(74) *Attorney, Agent, or Firm*—Richard L. Myers; Myers Dawes & Andras LLP

(57) **CLAIM**

The ornamental design of a dispenser and chemical cartridge combination, as illustrated in the drawings.

DESCRIPTION

FIG. 1 is an assembled perspective view of the dispenser and chemical cartridge combination of the present invention; FIG. 2 is a top plan assembled view of the dispenser and cartridge; FIG. 3 is a front elevation assembled view of the dispenser and cartridge; FIG. 4 is a bottom plan assembled view of the dispenser and cartridge; FIG. 5 is a left side elevation assembled view of the dispenser and cartridge; FIG. 6 is a right side elevation assembled view of the dispenser and cartridge; FIG. 7 is a back elevation assembled view of the dispenser and cartridge; FIG. 8 is an exploded perspective view of the dispenser and chemical cartridge of the present invention; FIG. 9 is a front elevation exploded view of the dispenser and cartridge; FIG. 10 is a back elevation exploded view of the dispenser and cartridge; FIG. 11 is a right side elevation exploded view of the dispenser and cartridge; and, FIG. 12 is a left side elevation exploded view of the dispenser and cartridge.

1 Claim, 5 Drawing Sheets

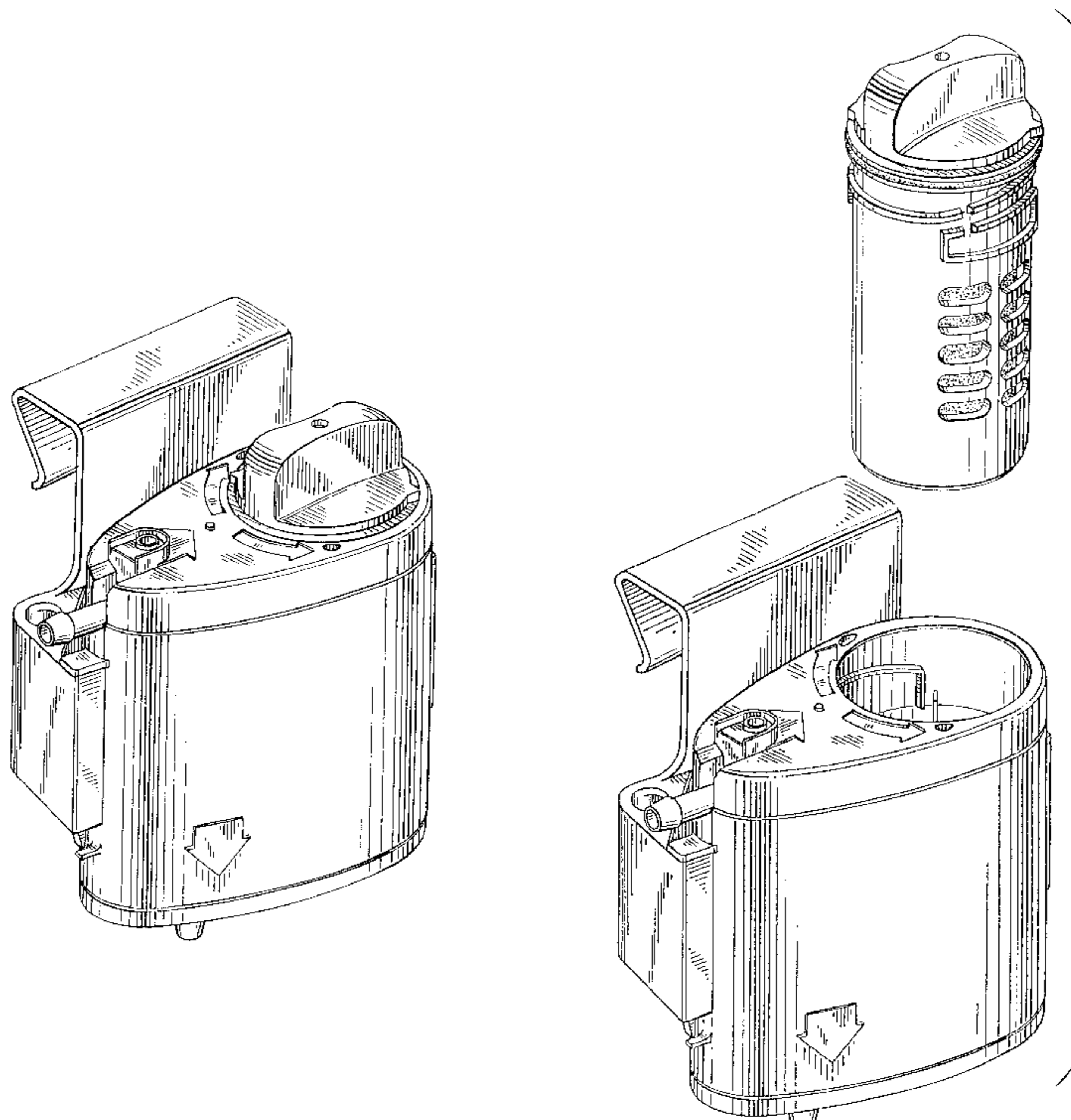


FIG. 1

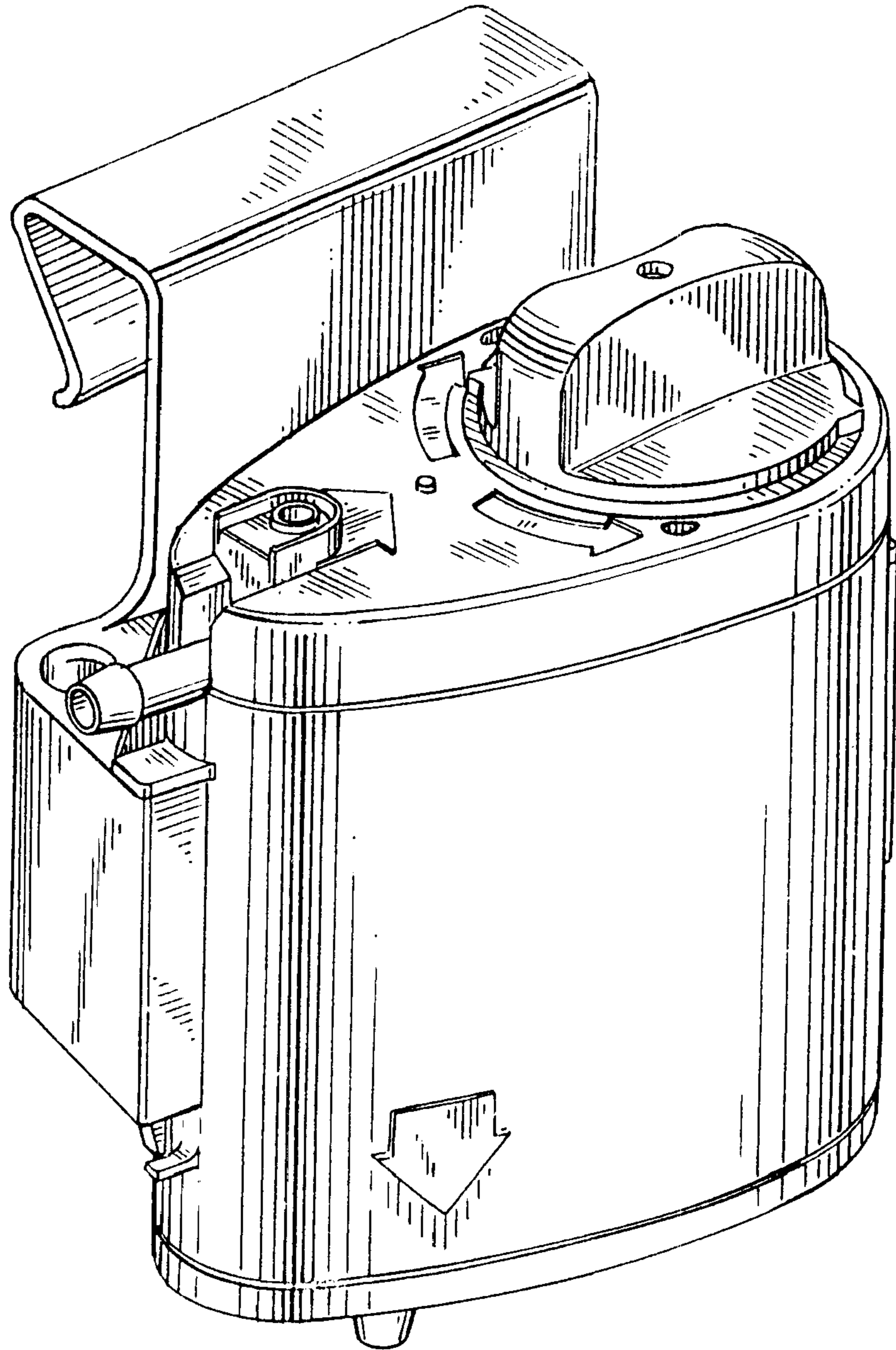


FIG. 2

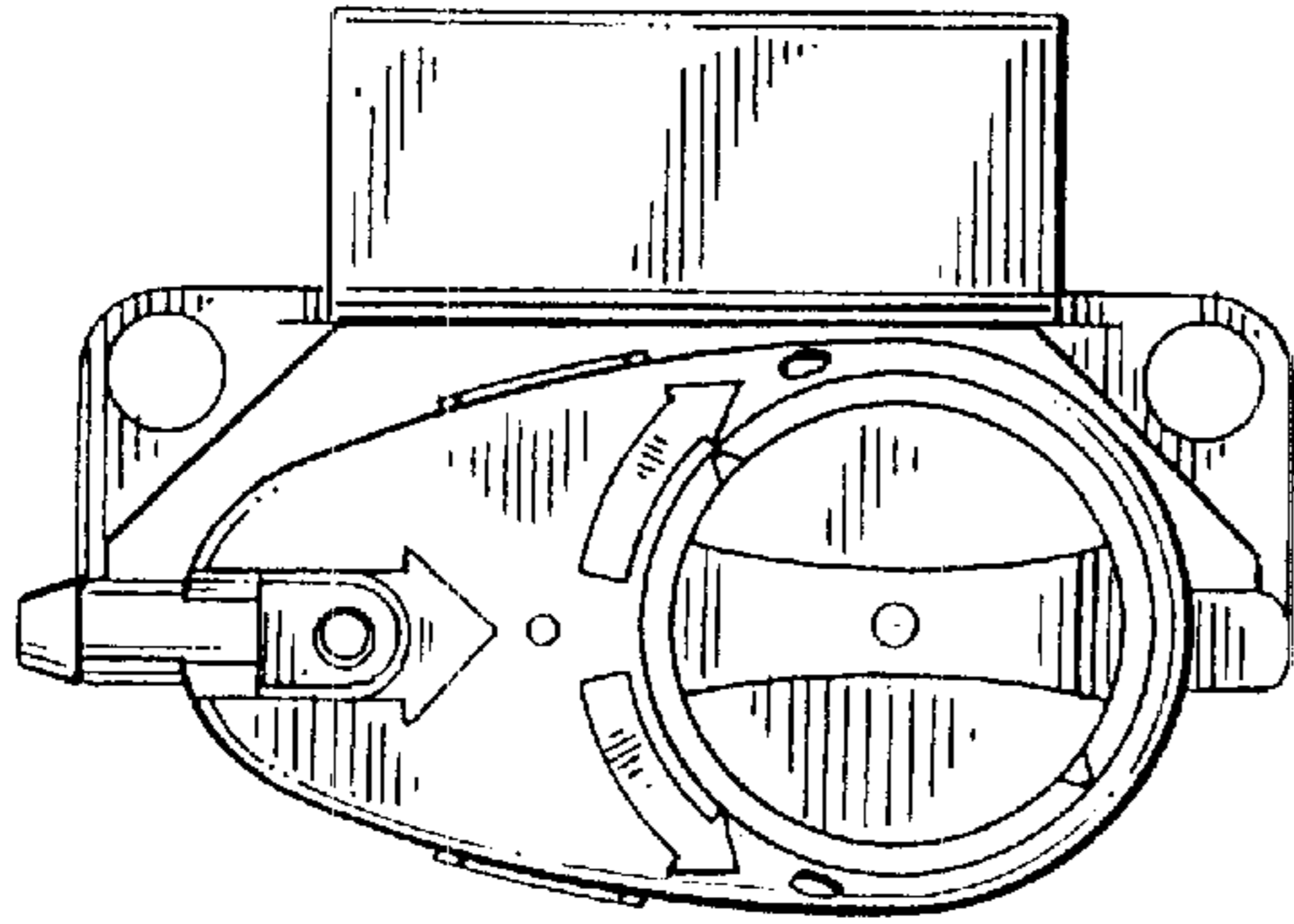


FIG. 3

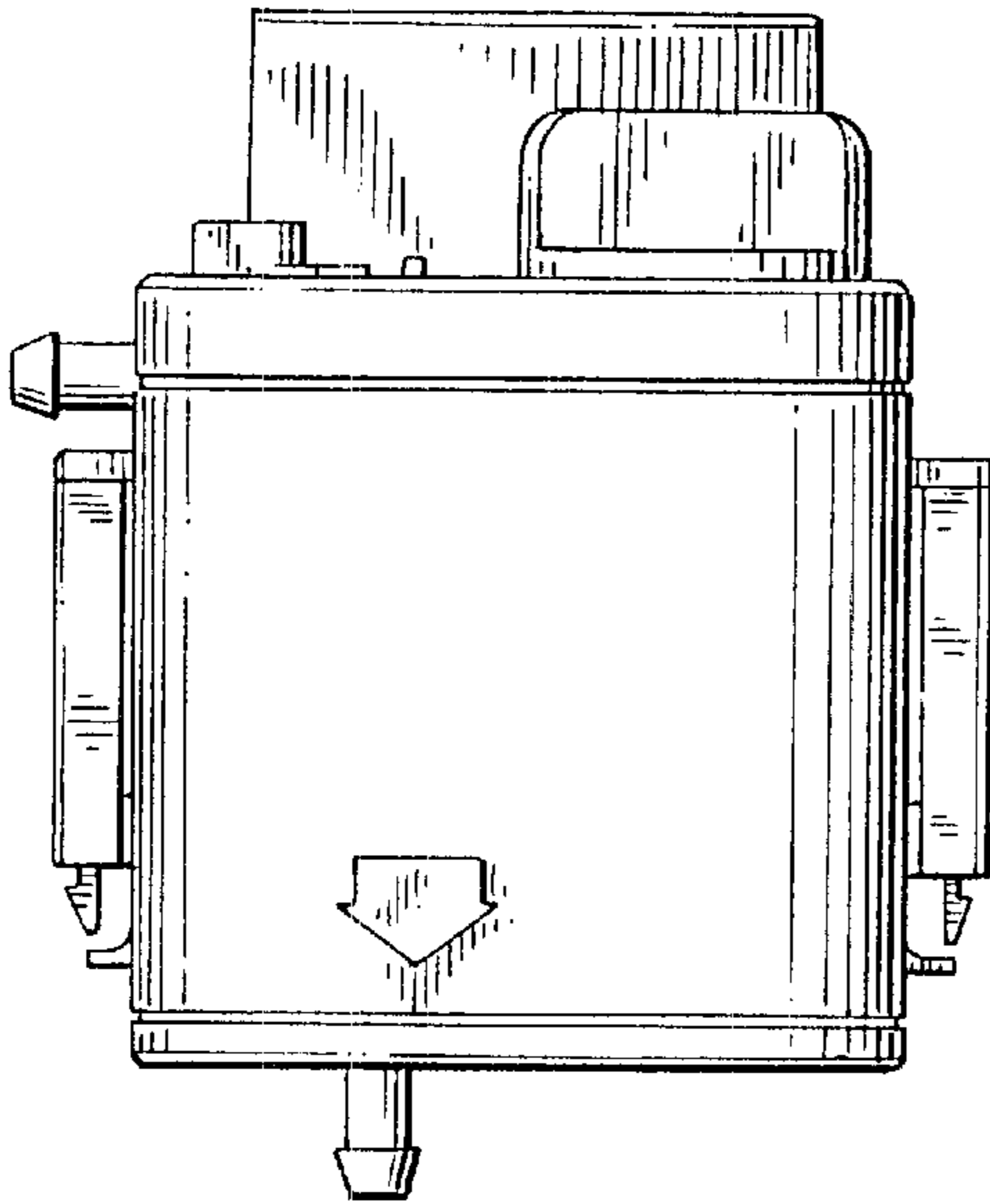


FIG. 4

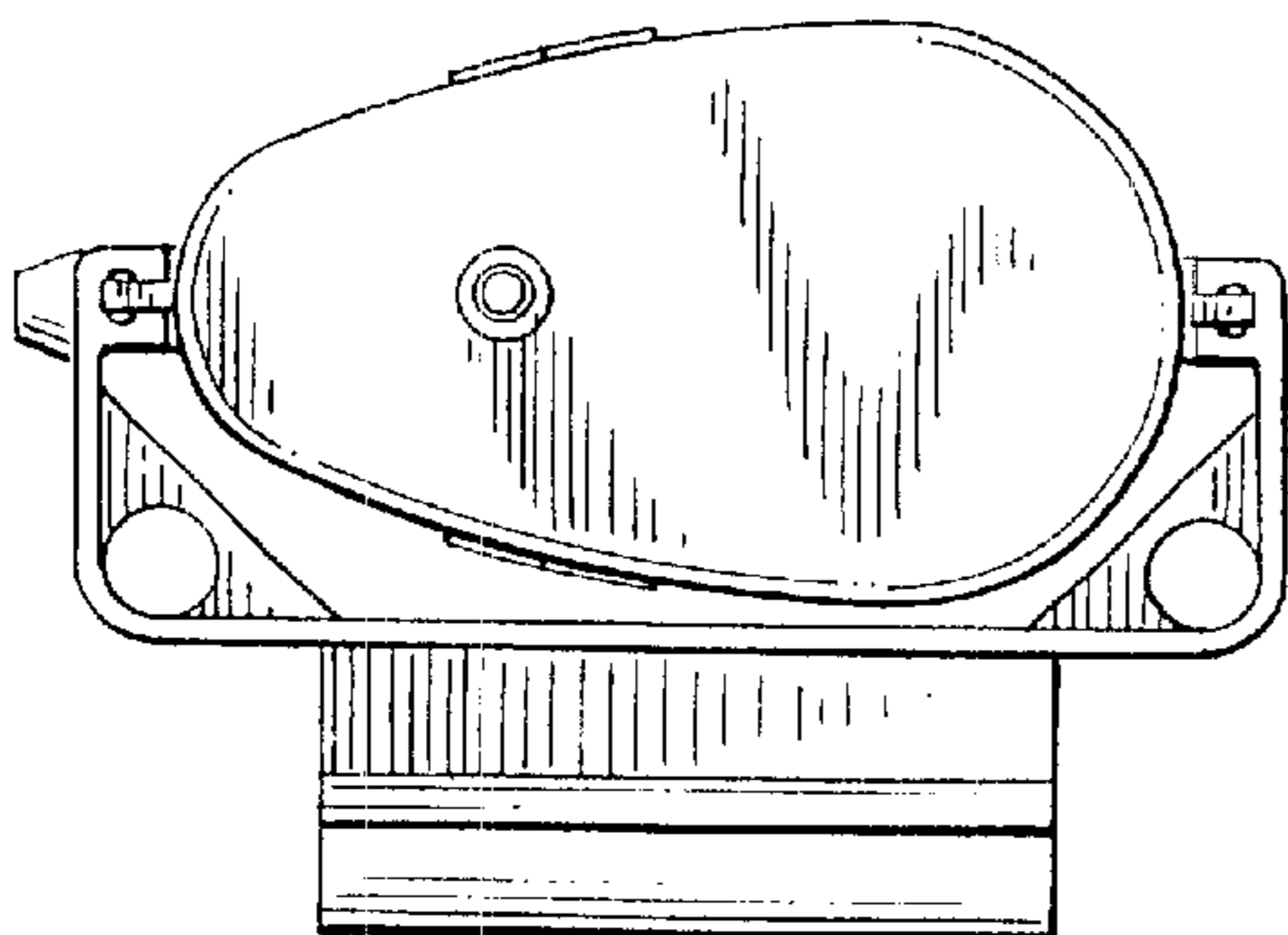


FIG. 5

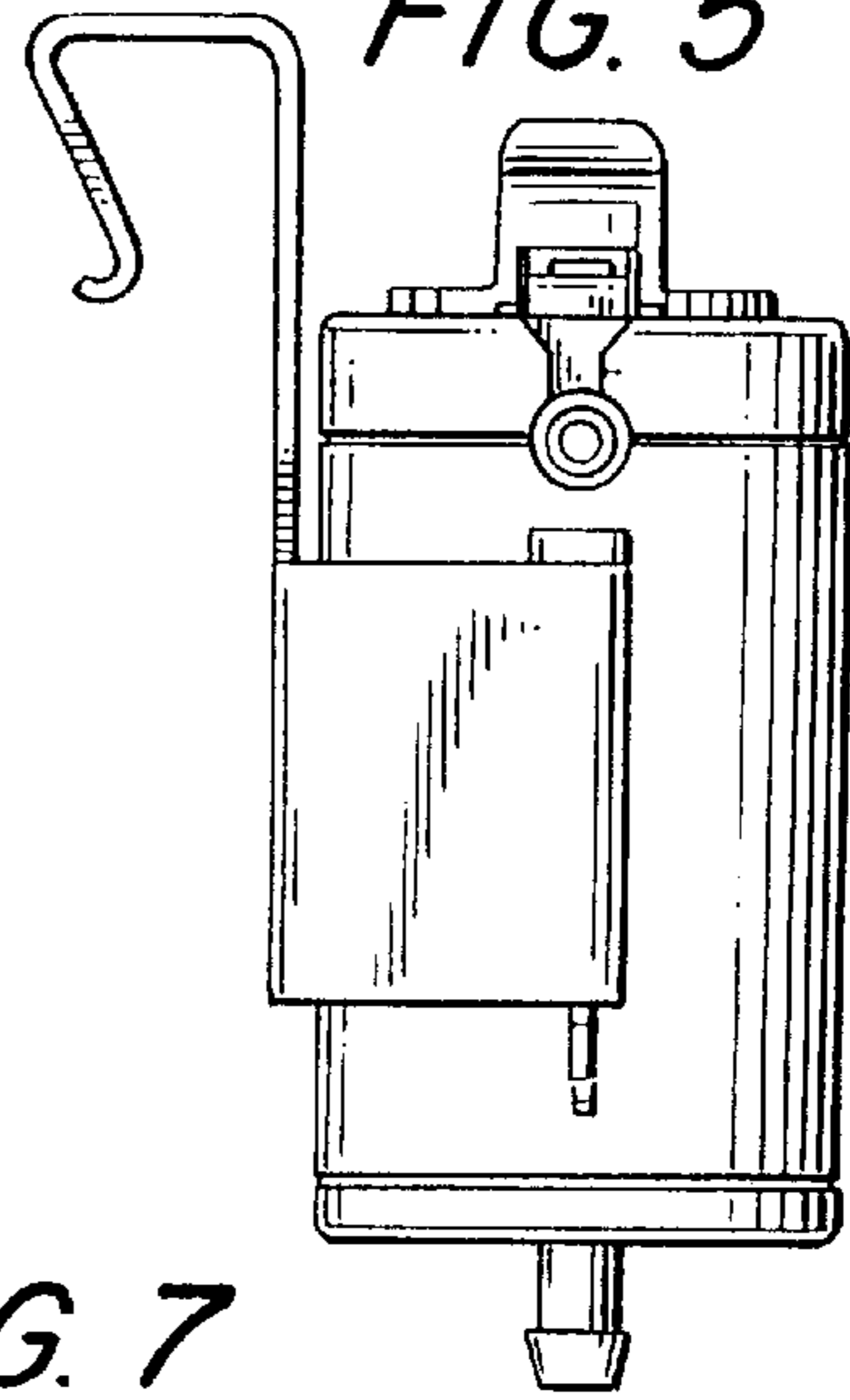


FIG. 7

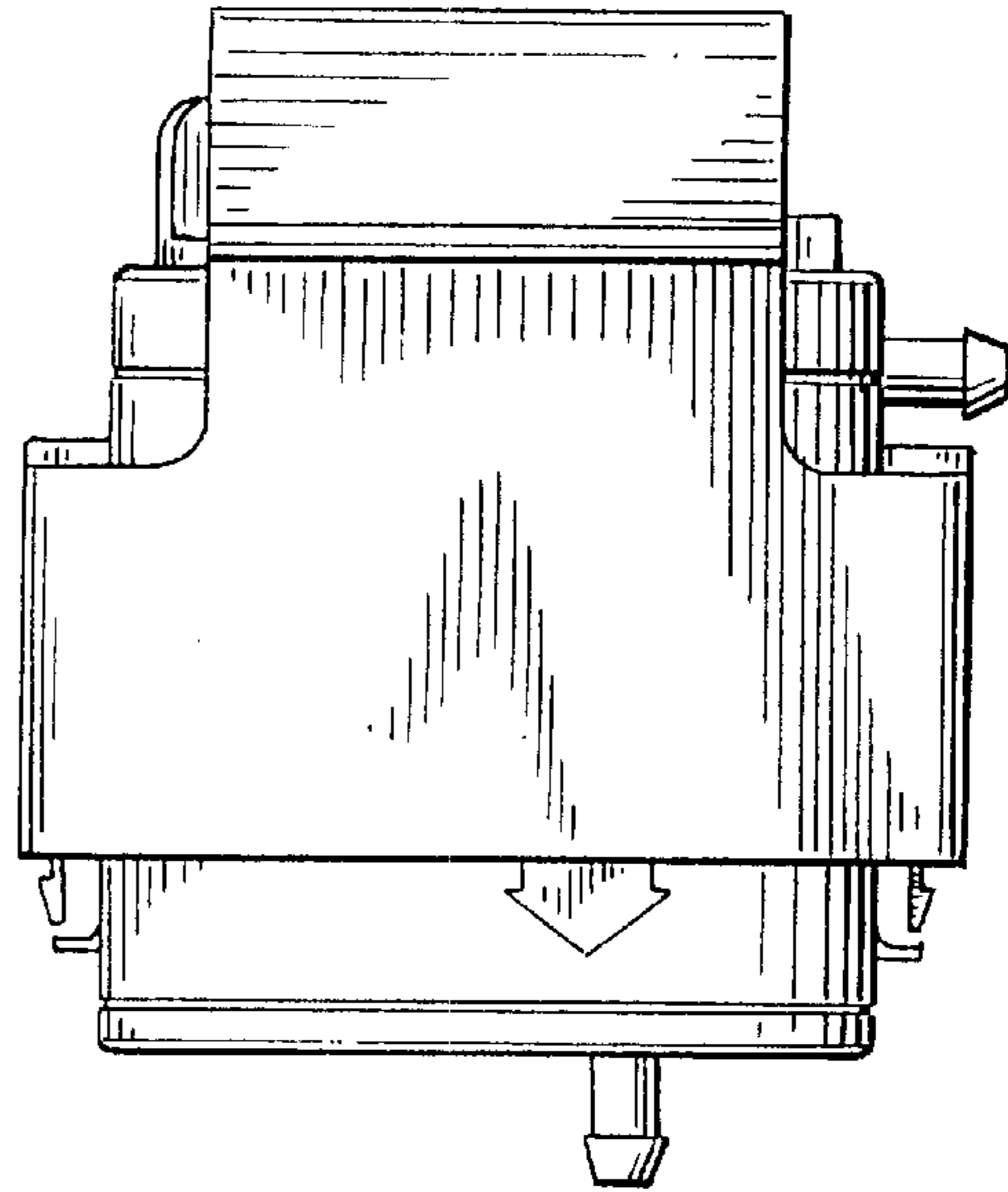


FIG. 6

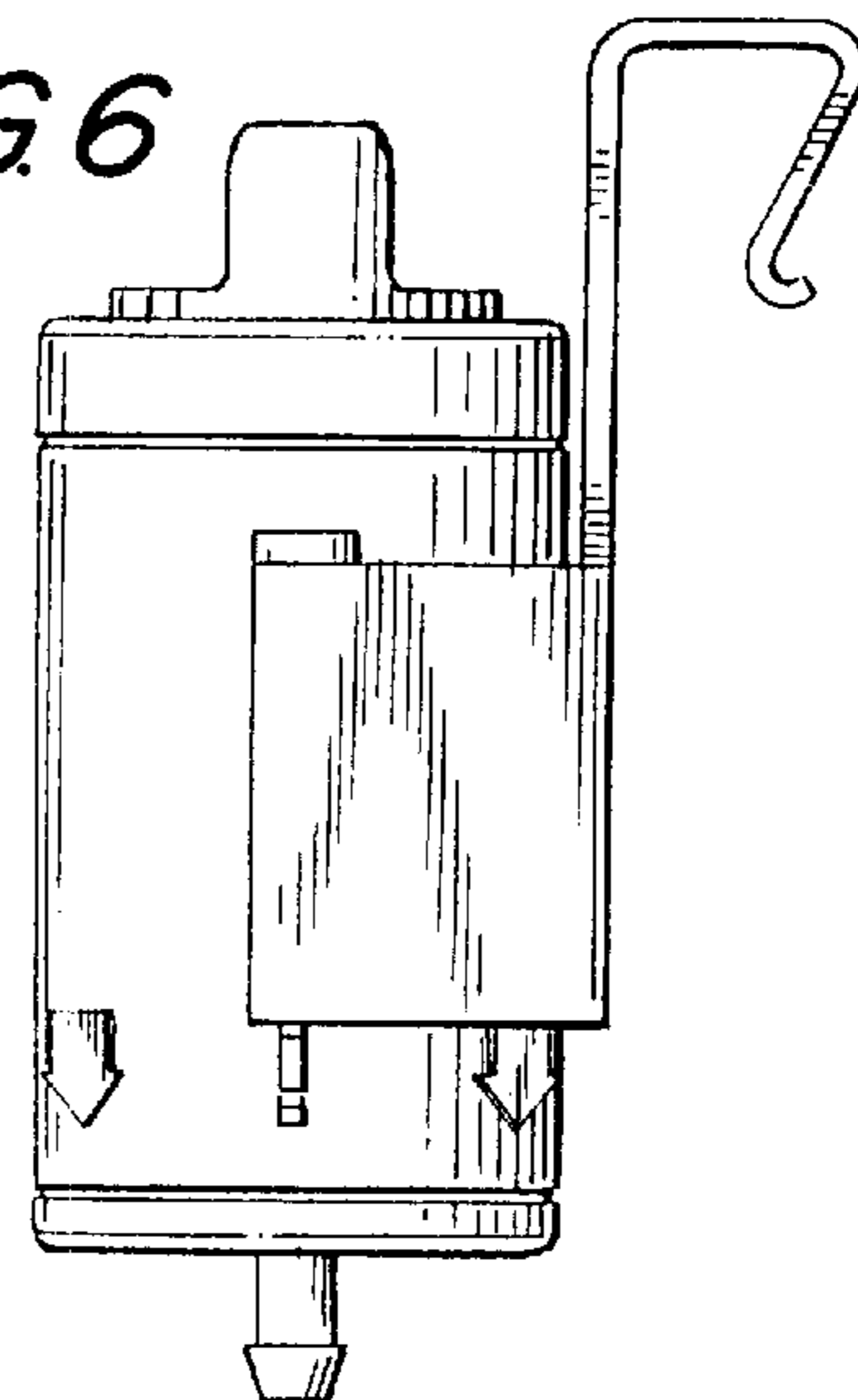


FIG. 8

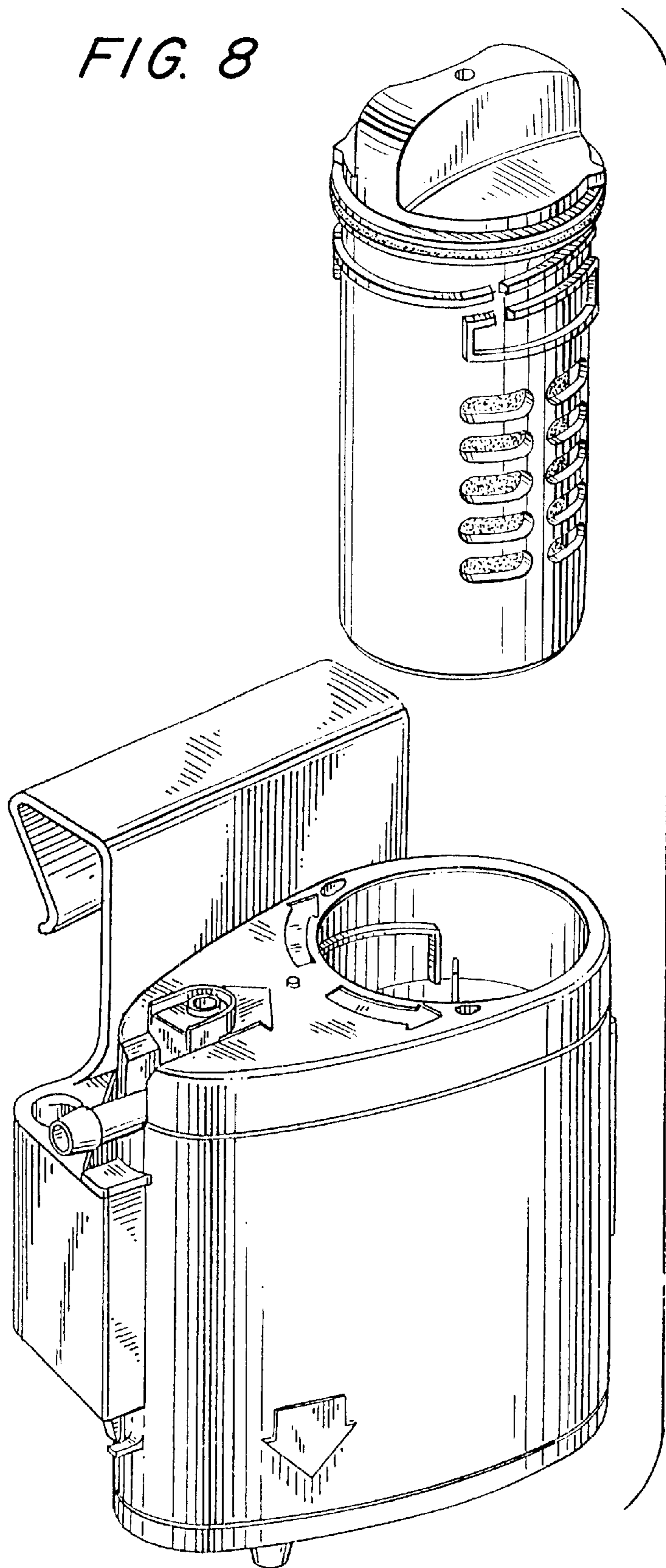


FIG. 9

FIG. 10

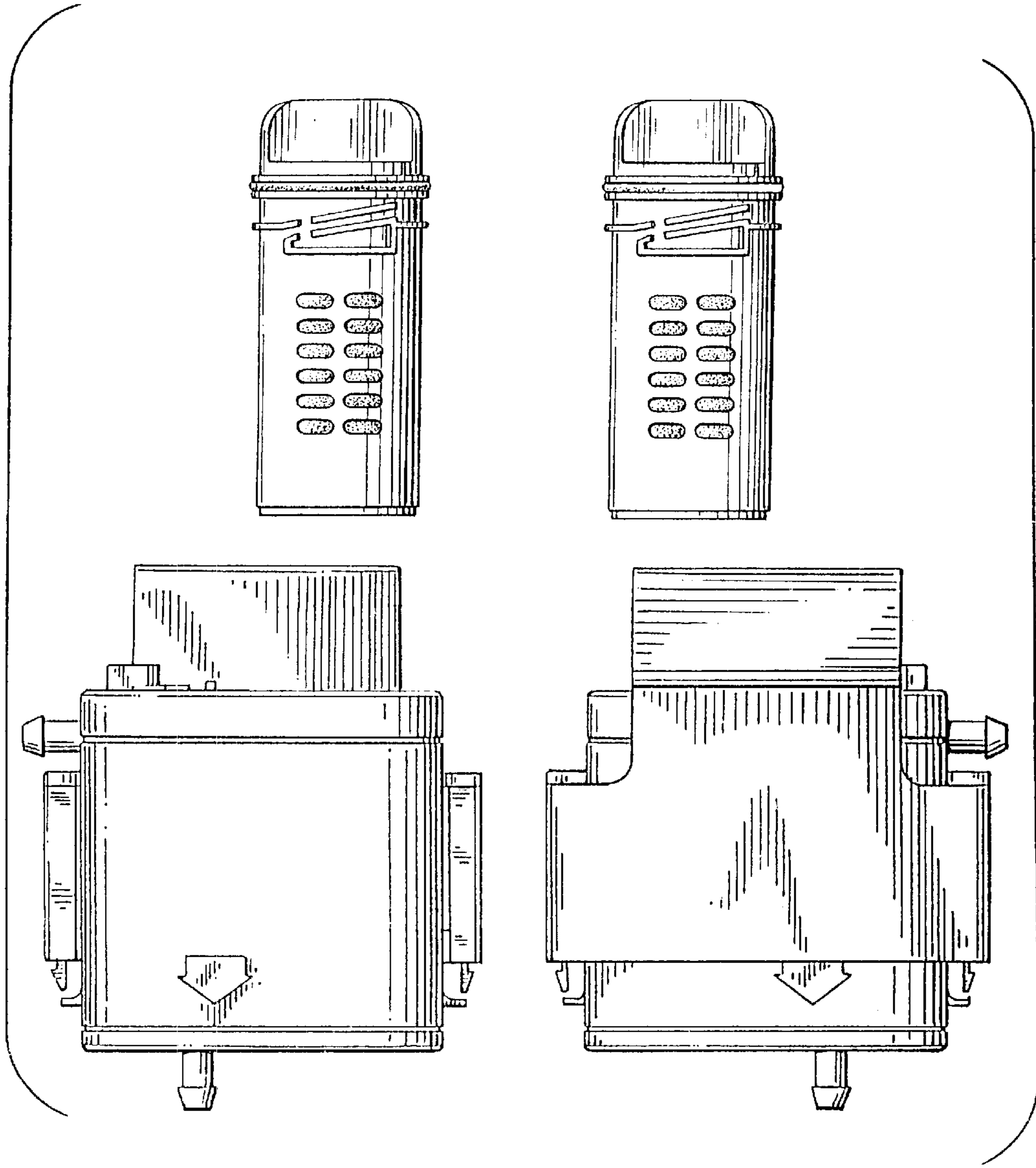


FIG. 11

FIG. 12

