



US00D476047S

(12) **United States Design Patent**
De La Cruz

(10) **Patent No.:** **US D476,047 S**

(45) **Date of Patent:** **** Jun. 17, 2003**

(54) **GOLF PUTTER WITH A MIRROR-FINISH INSERT IN ITS FACE**

D447,198 S * 8/2001 Shaw D21/736

* cited by examiner

(76) **Inventor:** **Dick De La Cruz**, 2260 Rutherford Rd., Suite 109, Carlsbad, CA (US) 92008

Primary Examiner—Mitchell Siegel

(74) *Attorney, Agent, or Firm*—Steven W. Webb

(**) **Term:** **14 Years**

(57) **CLAIM**

The ornamental design for a golf putter with a mirror-finish insert in its face, as shown and described.

(21) **Appl. No.:** **29/159,174**

DESCRIPTION

(22) **Filed:** **Apr. 17, 2002**

(51) **LOC (7) Cl.** **21-02**

FIG. 1 is a perspective view of the golf putter.

(52) **U.S. Cl.** **D21/743**

FIG. 2 is a face side view of the golf putter.

(58) **Field of Search** D21/736-746;
473/324, 327-330, 340, 341, 251-256

FIG. 3 is a back side view of the golf putter.

FIG. 4 is a top side view of the golf putter.

FIG. 5 is a trailing edge view of the golf putter.

FIG. 6 is a leading edge view of the golf putter; and,

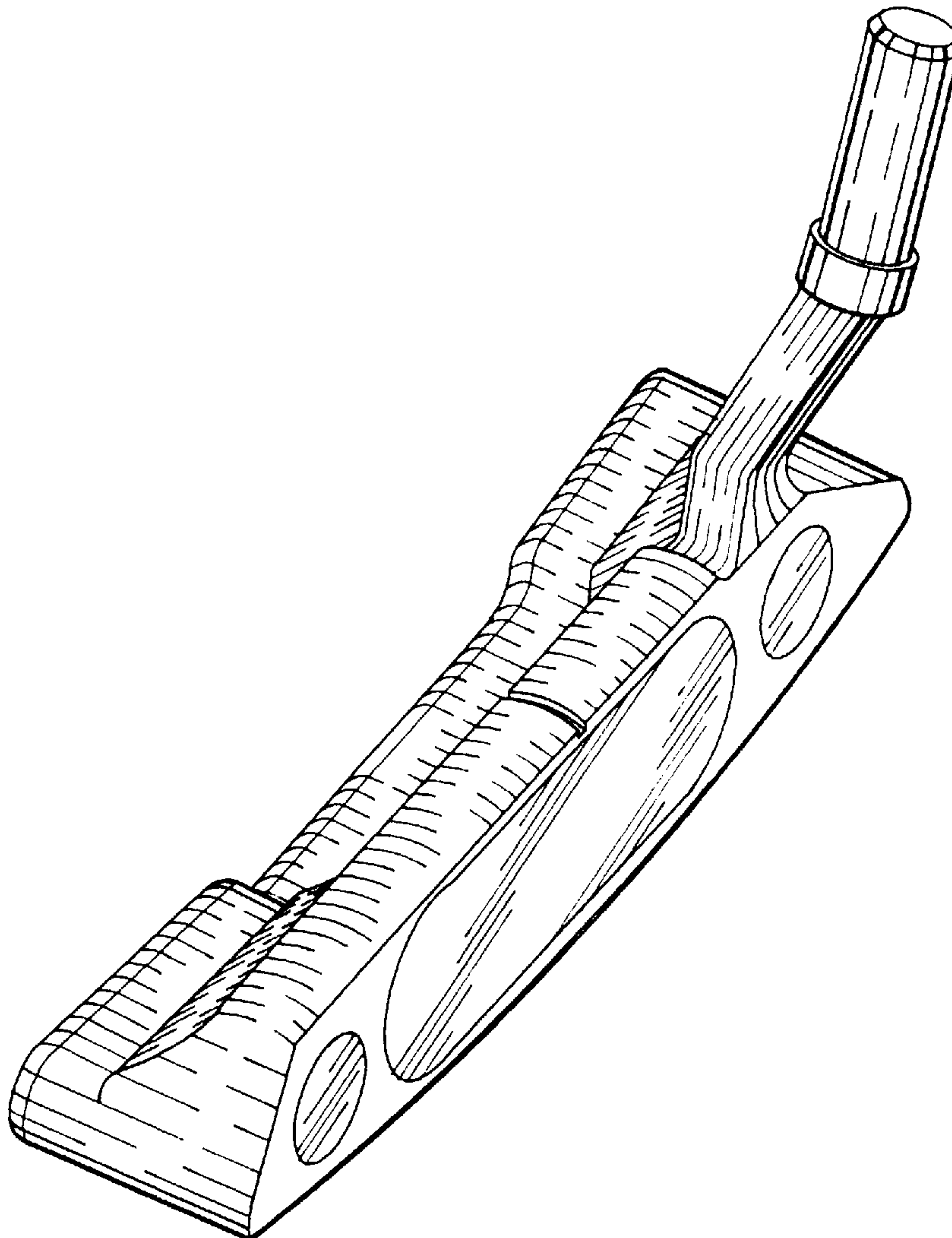
FIG. 7 is a bottom view of the golf putter.

(56) **References Cited**

U.S. PATENT DOCUMENTS

D409,701 S * 5/1999 Ashcraft et al. D21/743

1 Claim, 3 Drawing Sheets



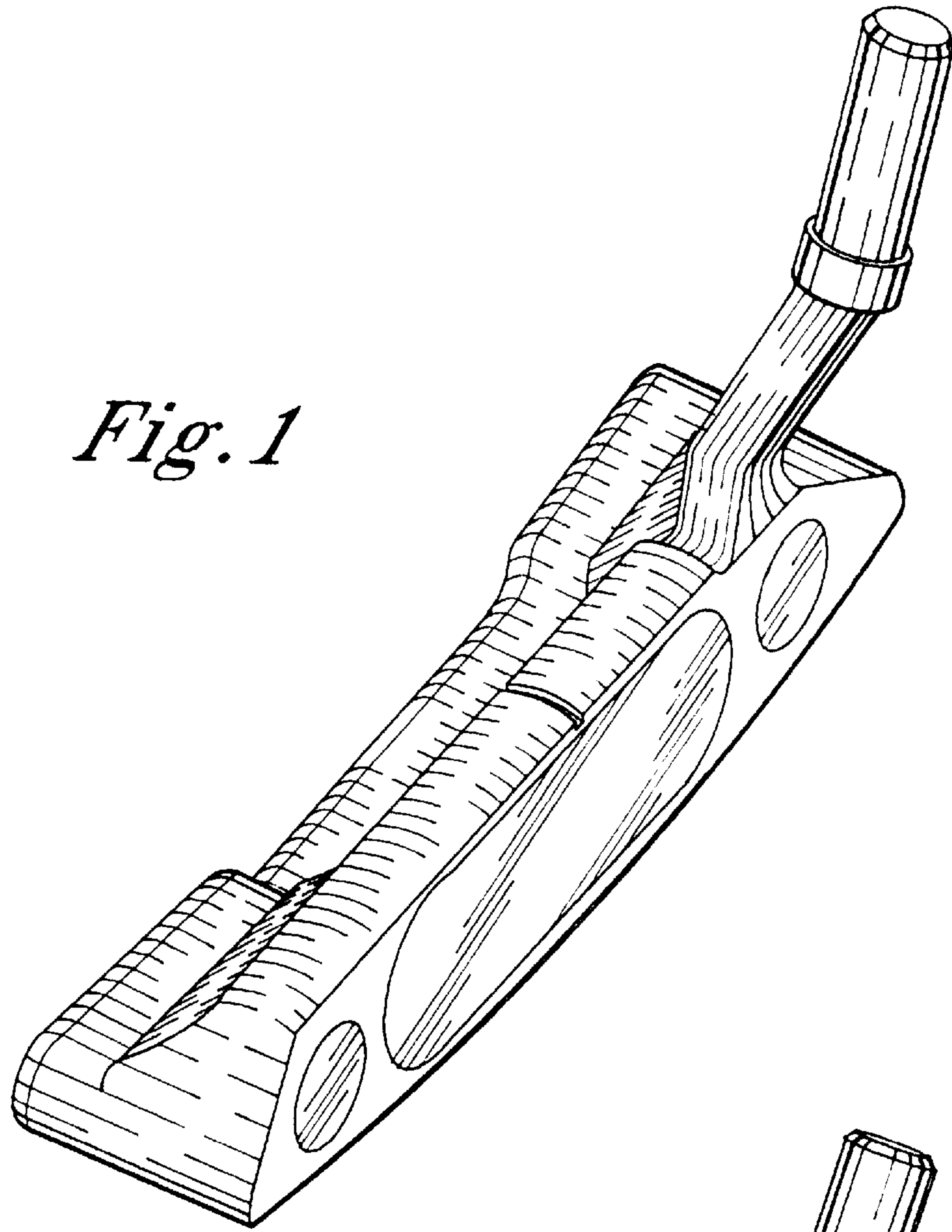


Fig. 1

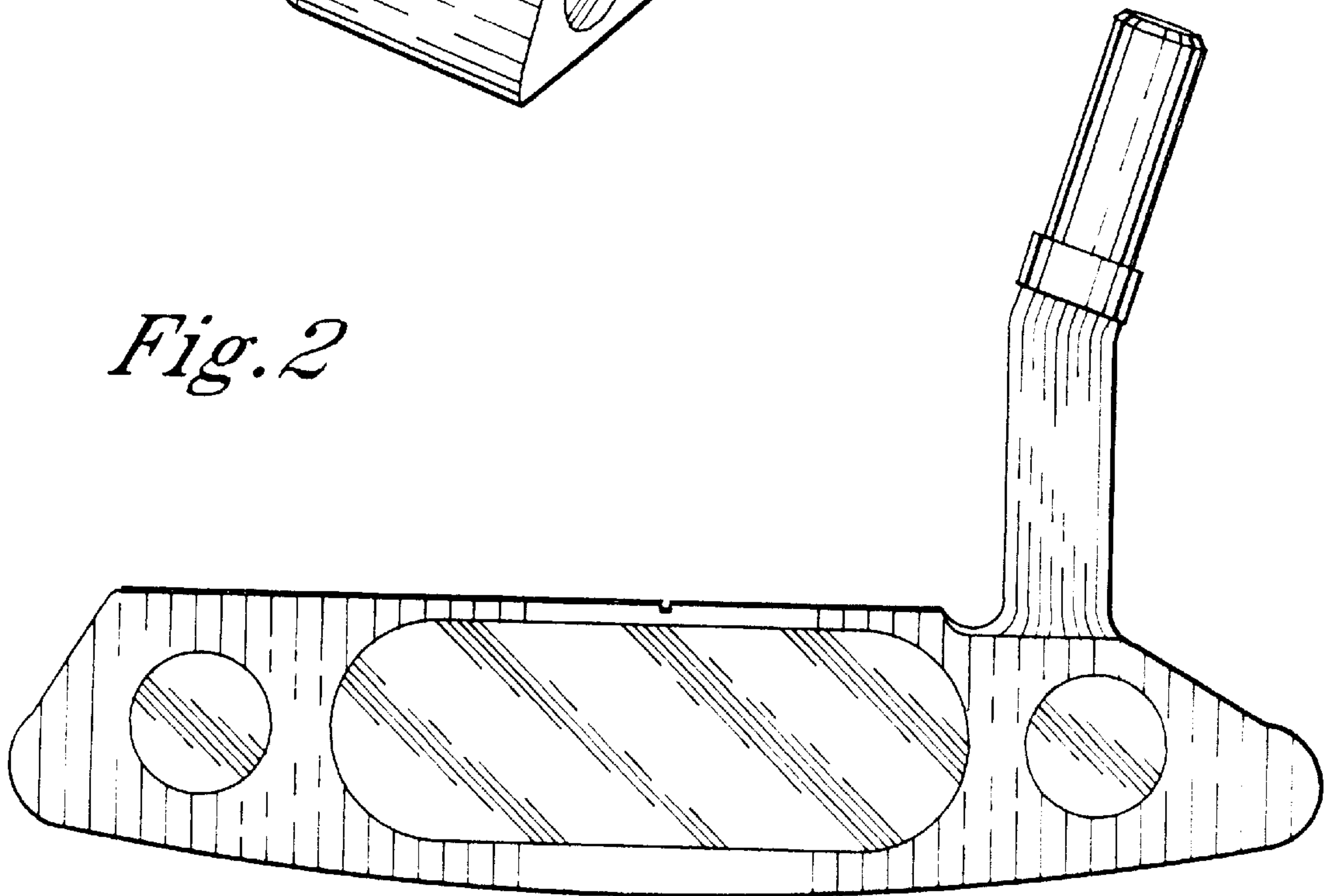


Fig. 2

Fig. 3

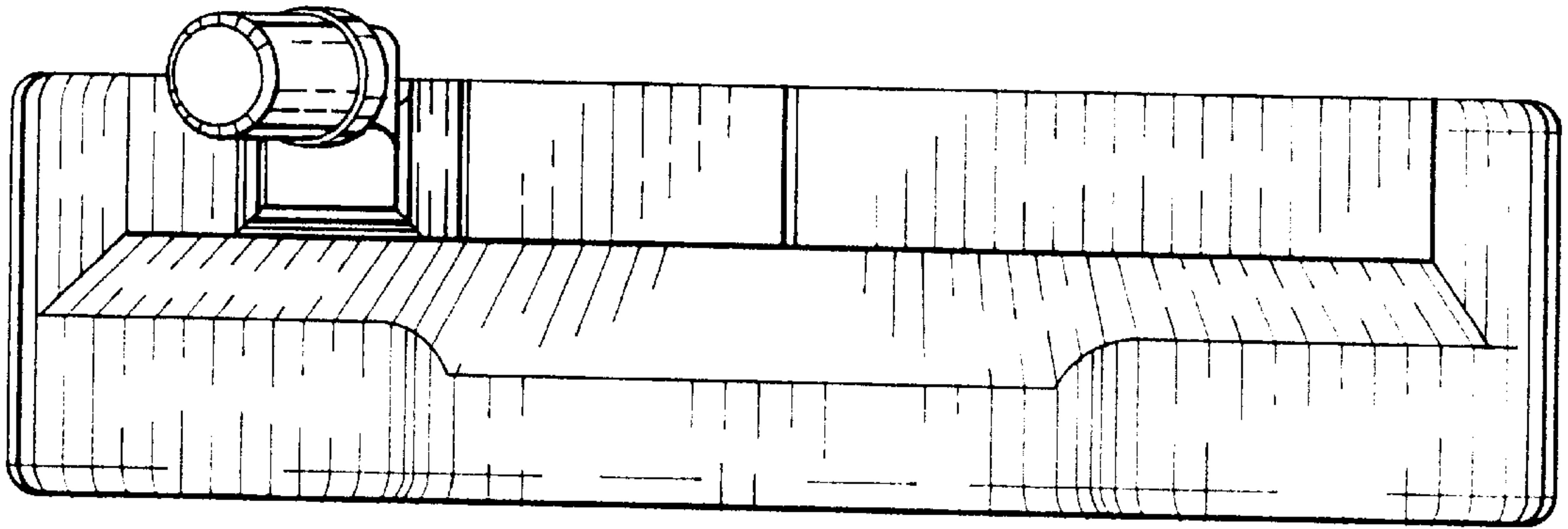
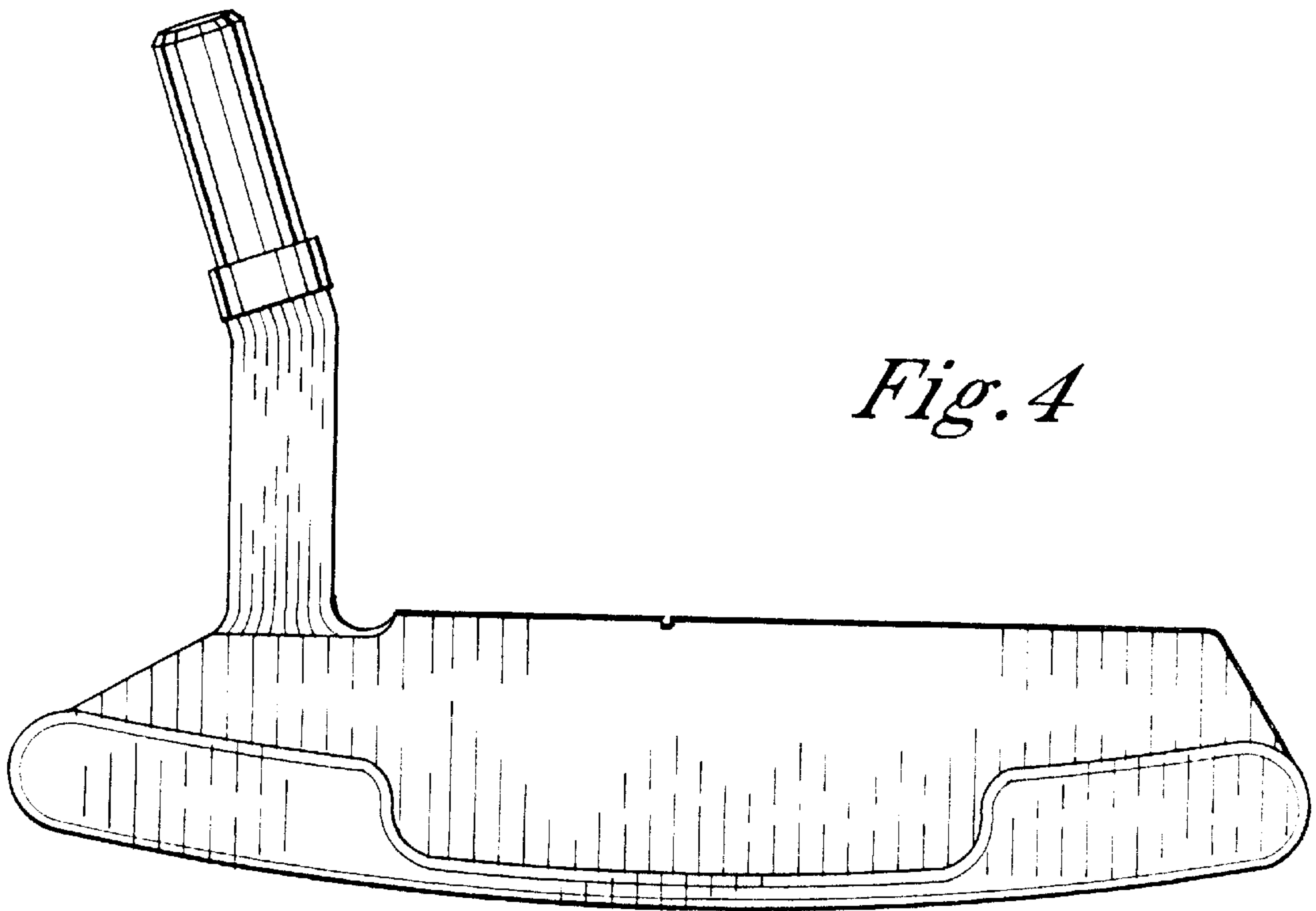


Fig. 4



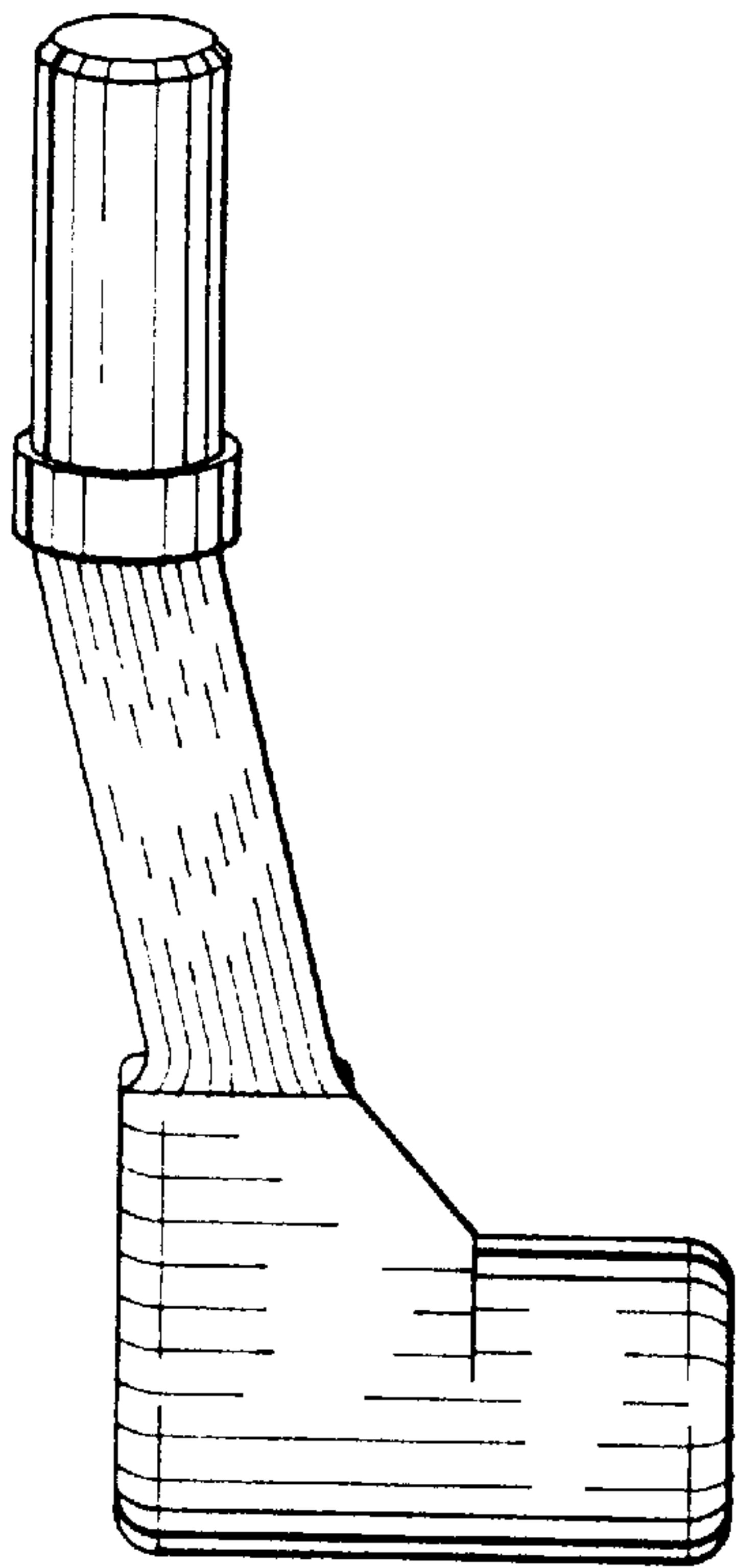


Fig. 5

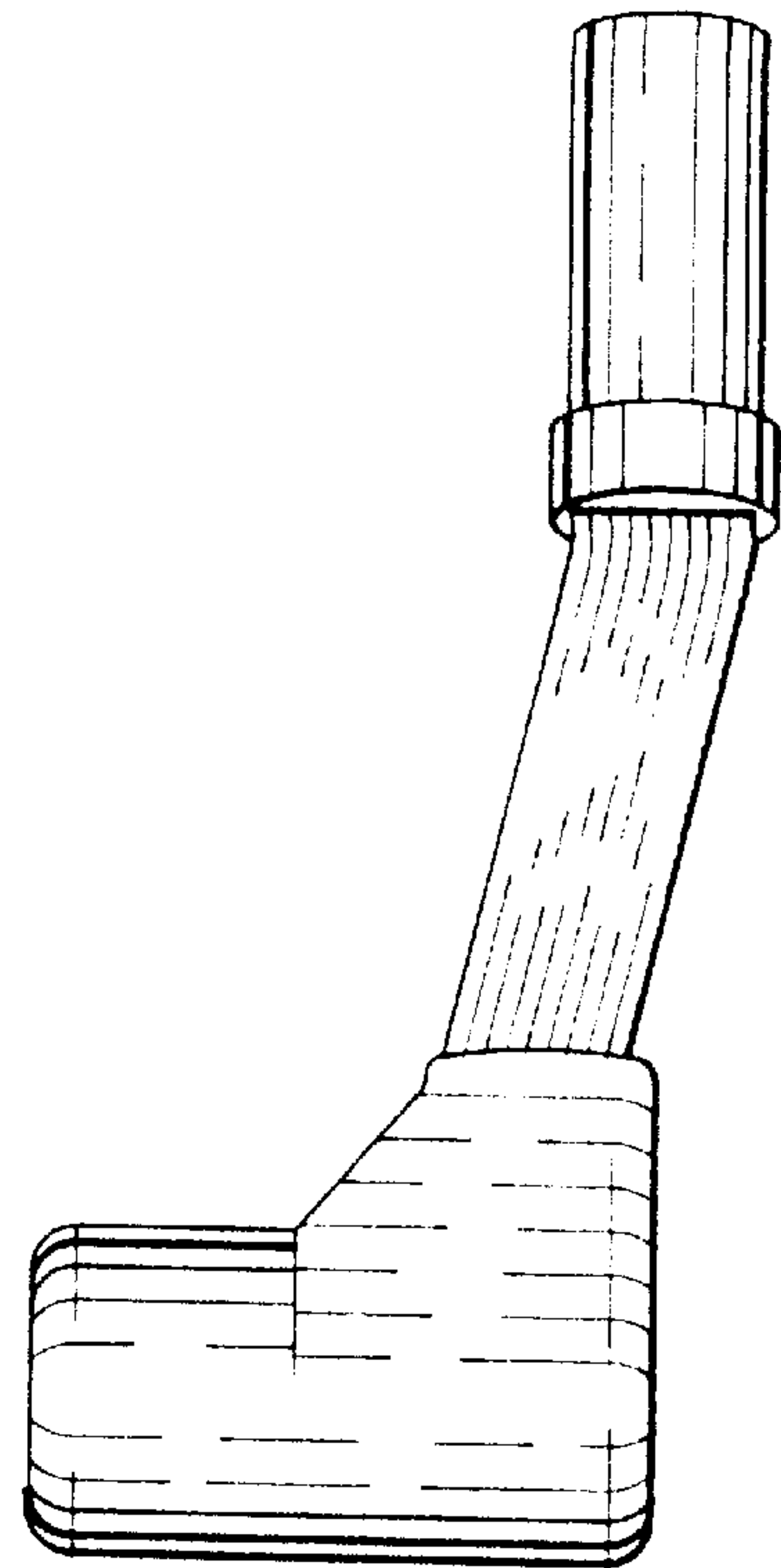


Fig. 6

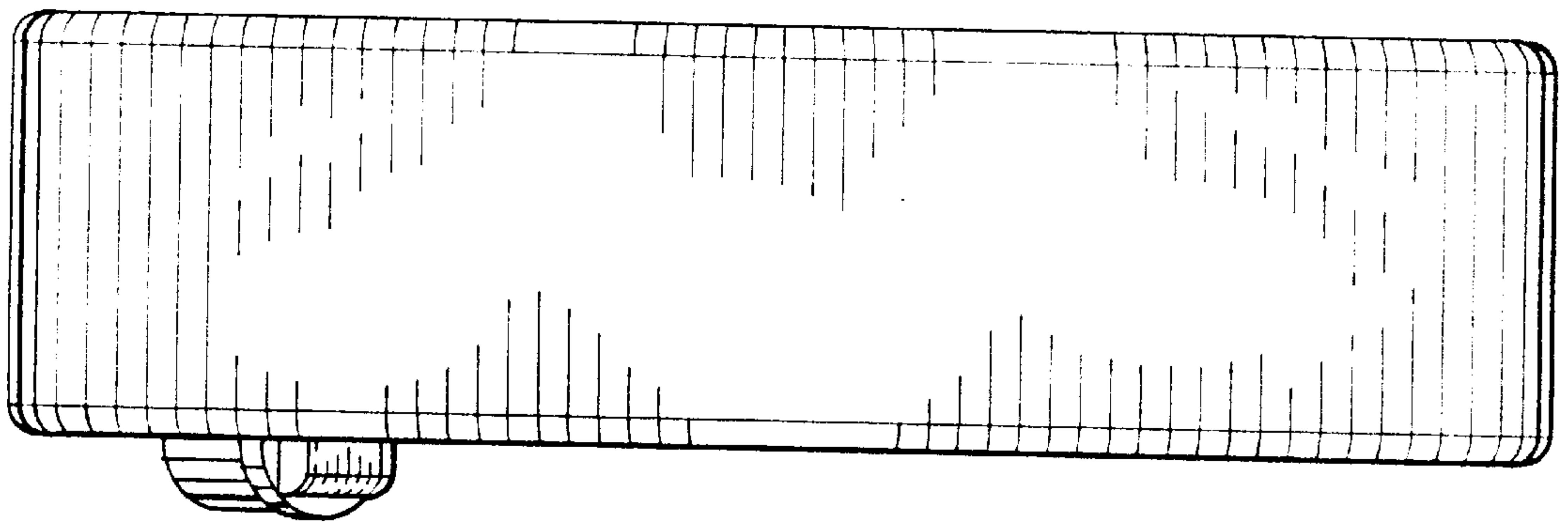


Fig. 7