



US00D476046S

(12) **United States Design Patent**  
**Wang et al.**

(10) **Patent No.: US D476,046 S**  
(45) **Date of Patent: \*\* Jun. 17, 2003**

(54) **HANDRAIL OF A TREADMILL**

(76) Inventors: **Leao Wang**, No. 1, Lane 233, Sec.2,  
Charng Long Rd., Taiping (TW), 411;  
**Peter Wu**, No. 1, Lane 233, Sec.2,  
Charng Long Rd., Taiping (TW), 411

(\*\*) Term: **14 Years**

(21) Appl. No.: **29/153,179**

(22) Filed: **Jan. 7, 2002**

(51) **LOC (7) Cl.** ..... **21-02**

(52) **U.S. Cl.** ..... **D21/694; D25/38**

(58) **Field of Search** ..... D21/669, 694,  
D21/670; D25/38, 41, 43, 126; 256/59,  
60, 65; 482/54, 51; D6/495; D8/317, 320

(56) **References Cited**

**U.S. PATENT DOCUMENTS**

D203,160 S	*	12/1965	Blum	.....	D25/164
3,621,970 A	*	11/1971	Johnson et al.	.....	198/336
4,602,766 A	*	7/1986	Naka et al.	.....	256/59
5,461,823 A	*	10/1995	Foster	.....	47/33
D381,714 S	*	7/1997	Easley et al.	.....	D21/694
5,787,664 A	*	8/1998	Hollander et al.	.....	52/300

D403,034 S	*	12/1998	Moon et al.	.....	D21/669
5,916,006 A	*	6/1999	Ganson	.....	446/85
D412,953 S	*	8/1999	Armstrong	.....	D21/694
6,019,706 A	*	2/2000	Wang et al.	.....	482/54
D445,152 S	*	7/2001	Wang et al.	.....	D21/669
D446,316 S	*	8/2001	Wooten	.....	D25/43
6,308,937 B1	*	10/2001	Pettit	.....	256/65.05

\* cited by examiner

*Primary Examiner*—Philip S. Hyder  
(74) *Attorney, Agent, or Firm*—Kuo-Hsiung Chiu

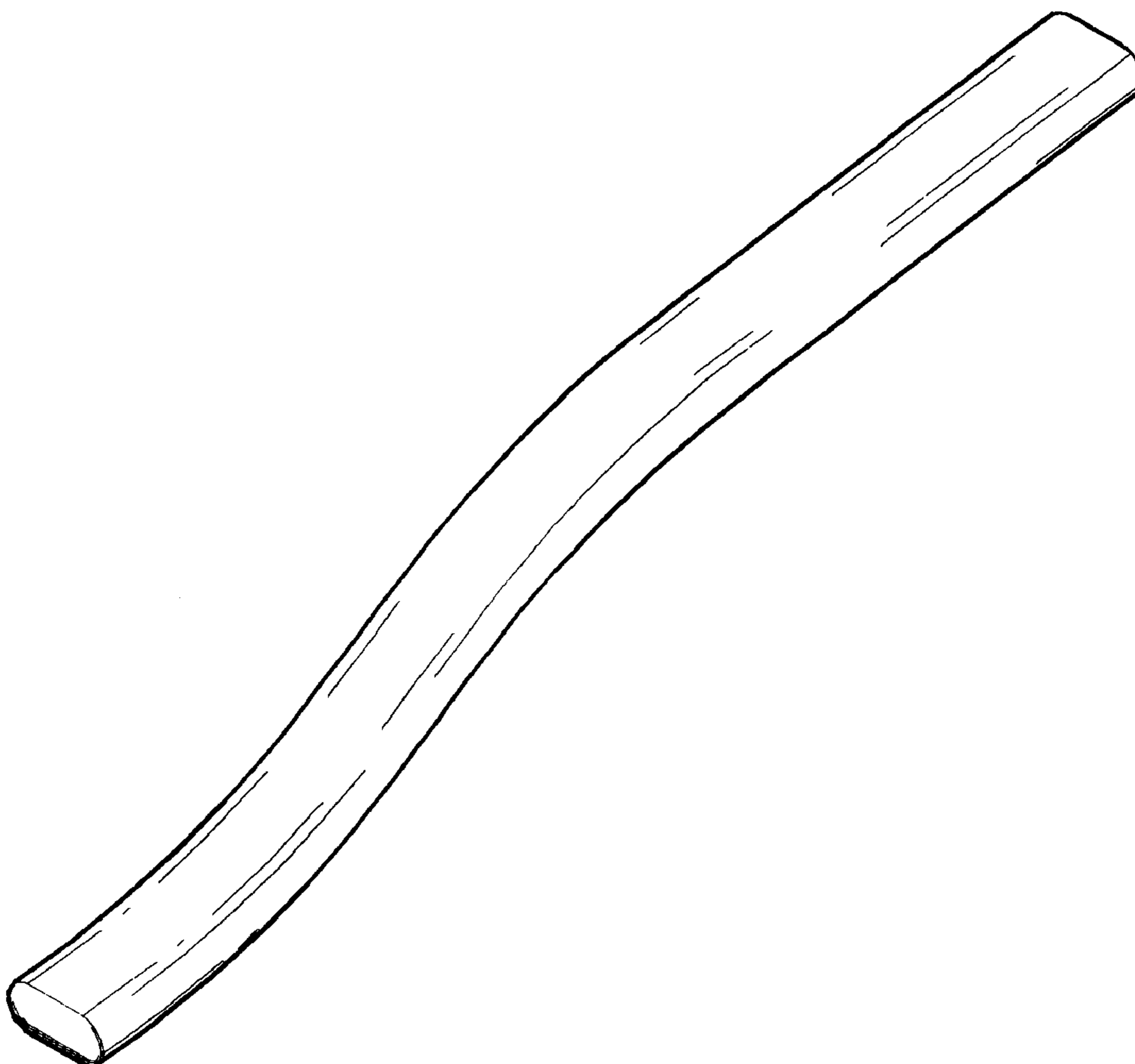
(57) **CLAIM**

The ornamental design for a handrail of a treadmill, as shown.

**DESCRIPTION**

FIG. 1 is a perspective view of a handrail of a treadmill showing our new design;  
FIG. 2 is a front elevational view thereof;  
FIG. 3 is a rear elevational view thereof;  
FIG. 4 is a left side elevational view thereof;  
FIG. 5 is a right side elevational view thereof;  
FIG. 6 is a top plan view thereof; and,  
FIG. 7 is a bottom plan view thereof.

**1 Claim, 3 Drawing Sheets**



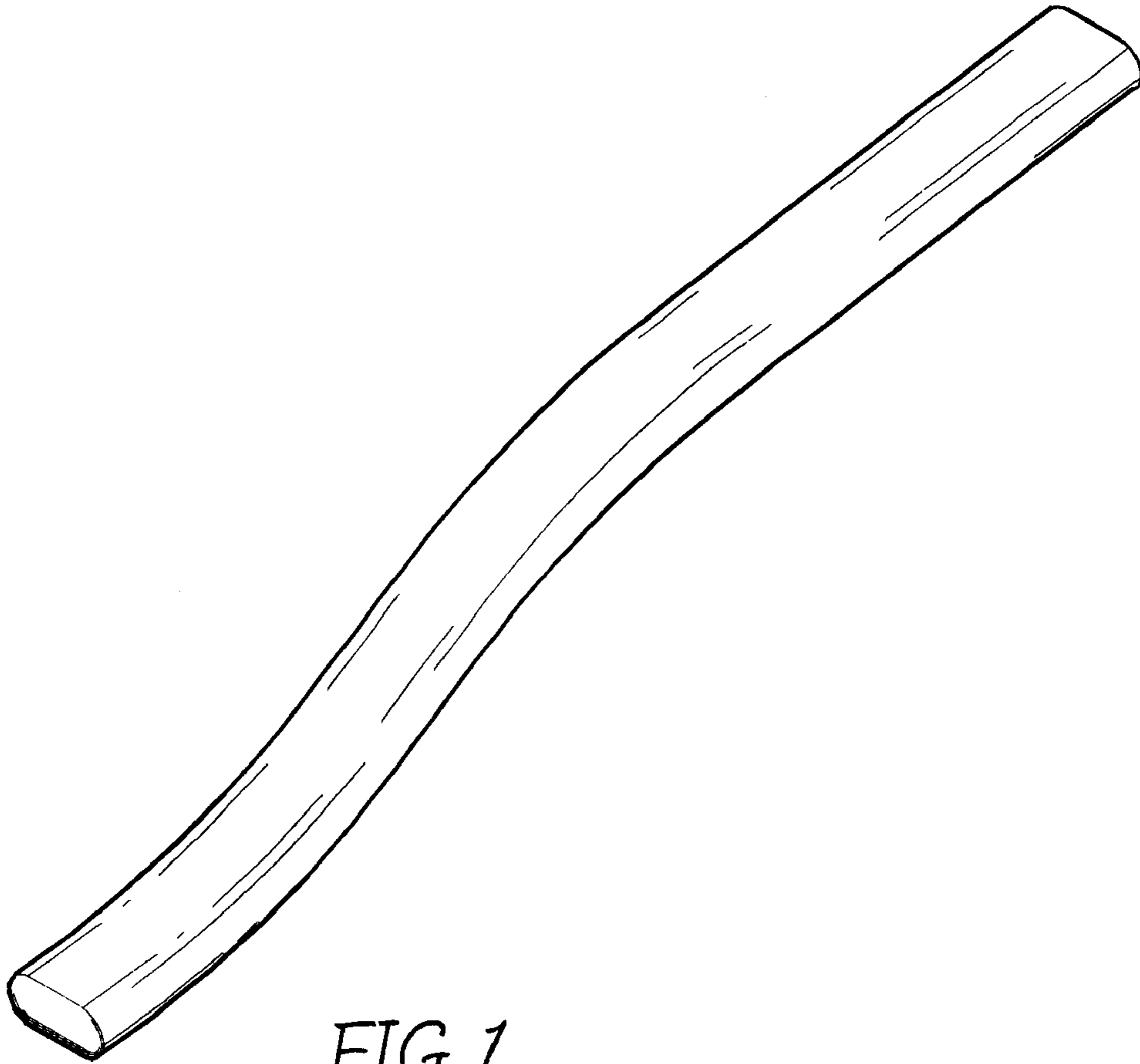


FIG. 1

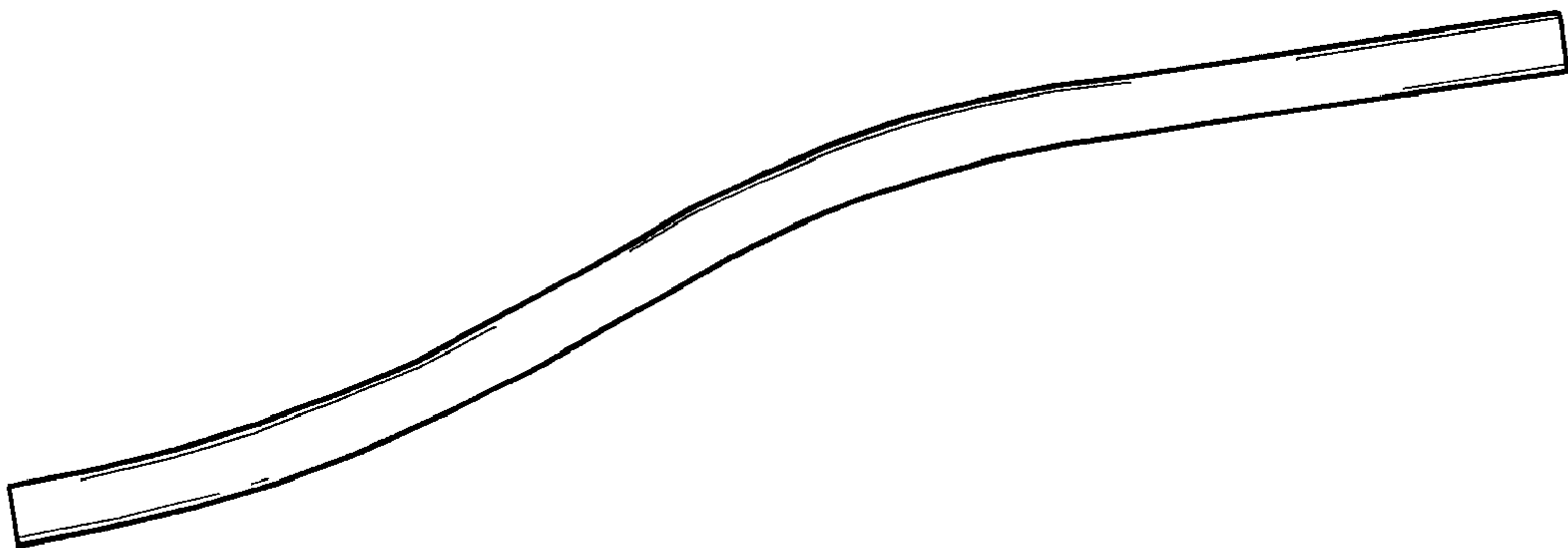


FIG. 2

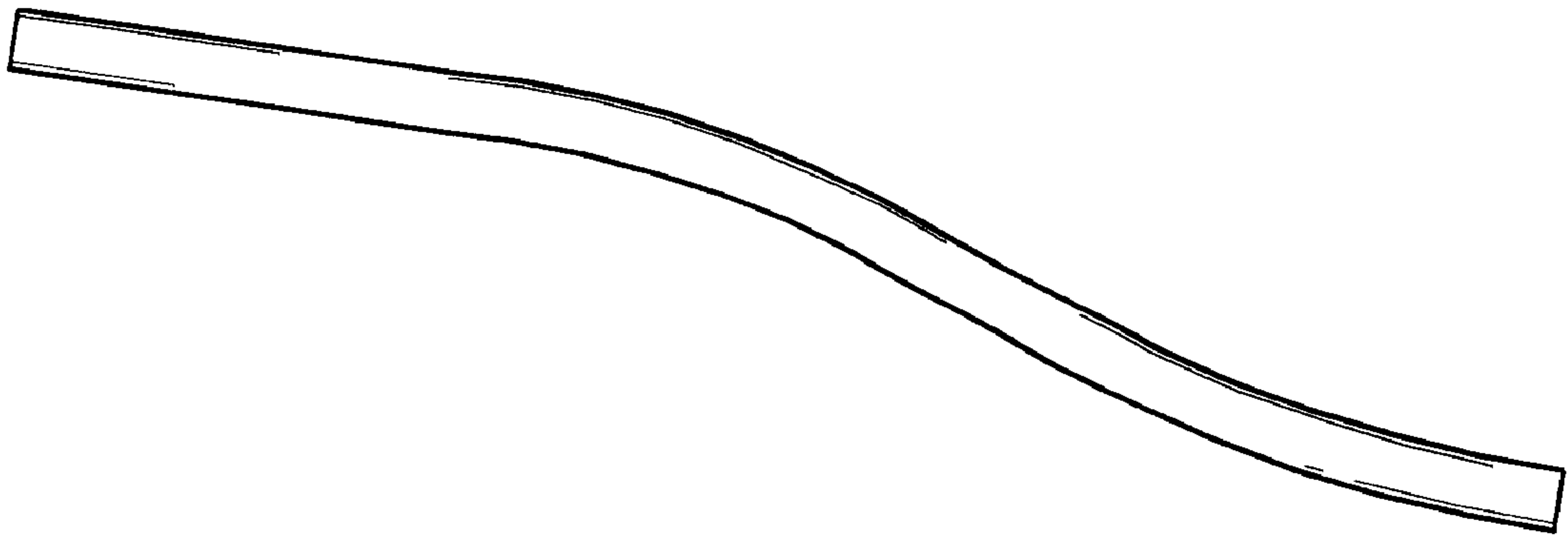


FIG.3



FIG.4



FIG. 5

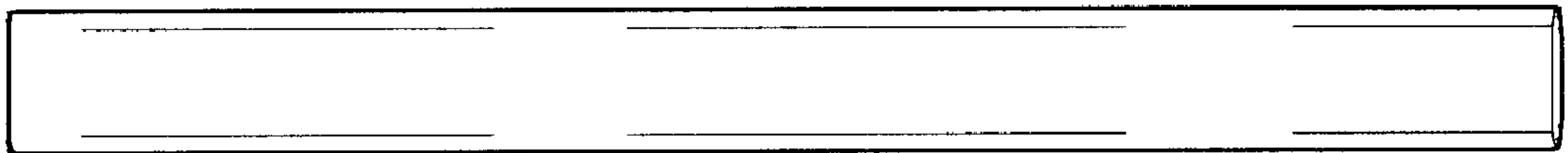


FIG. 6



FIG. 7