



US00D476045S

(12) **United States Design Patent**  
**Casey et al.**

(10) **Patent No.:** **US D476,045 S**  
(45) **Date of Patent:** **\*\* Jun. 17, 2003**

(54) **ABDOMINAL EXERCISE MACHINE**

(75) Inventors: **Michael E. Casey**, Santa Monica, CA  
(US); **Wei-Teh Ho**, Taipei (TW)

(73) Assignee: **Michael Casey**, Santa Monica, CA  
(US)

(\*\*) Term: **14 Years**

(21) Appl. No.: **29/168,924**

(22) Filed: **Oct. 11, 2002**

(51) **LOC (7) Cl.** ..... **21-02**

(52) **U.S. Cl.** ..... **D21/690; D21/686**

(58) **Field of Search** ..... D21/662, 687,  
D21/690; 482/140, 130, 142, 132, 133

(56) **References Cited**

**U.S. PATENT DOCUMENTS**

5,346,447 A	9/1994	Stearns	482/96
D370,506 S	6/1996	Clem	D21/687
5,545,114 A	8/1996	Gvoich	482/140
5,702,334 A	12/1997	Lee	482/140
5,769,766 A *	6/1998	Huang	482/140
5,833,590 A *	11/1998	Chiu et al.	482/142
5,839,998 A	11/1998	Wilkinson	482/140
5,989,168 A	11/1999	See	482/142
5,997,450 A	12/1999	Wilkinson	482/142
6,090,023 A	7/2000	Liu	482/140

6,168,557 B1	1/2001	Liao	482/140
6,206,808 B1	3/2001	Ho	482/95
6,206,809 B1	3/2001	Habing et al.	482/96
6,213,923 B1	4/2001	Cameron et al.	482/142

**FOREIGN PATENT DOCUMENTS**

WO	WO 98/11952	3/1998	A63B/23/02
----	-------------	--------	------------

\* cited by examiner

*Primary Examiner*—Philip S. Hyder

(74) *Attorney, Agent, or Firm*—Cislo & Thomas LLP

(57) **CLAIM**

The ornamental design for an abdominal exercise machine, as shown and described herein.

**DESCRIPTION**

FIG. 1. Is a perspective view of my abdominal exercise machine;

FIG. 2. Is a side elevational view thereof; the reverse side elevational view being identical thereto;

FIG. 3. Is a front view thereof

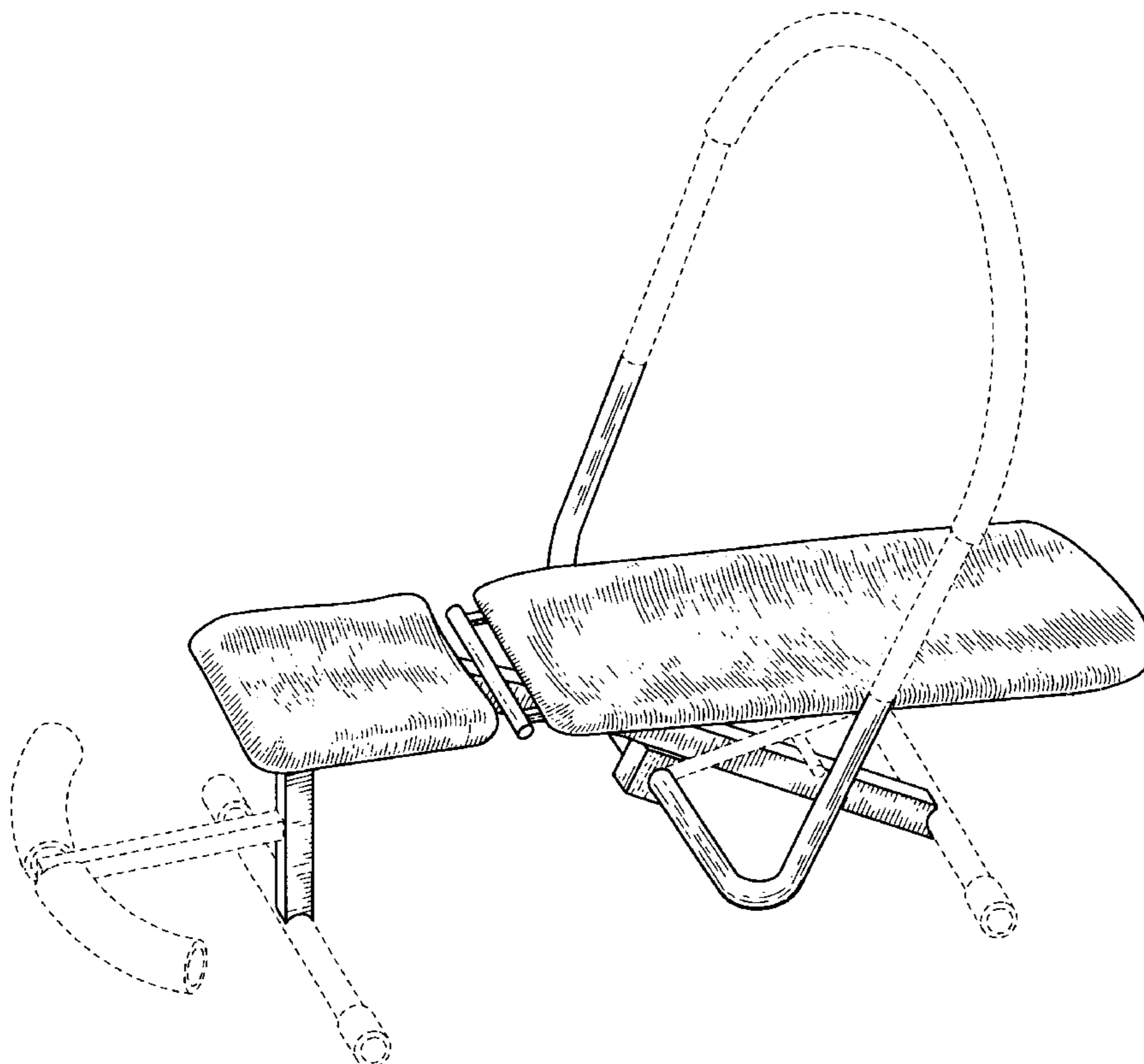
FIG. 4. Is a rear view thereof;

FIG. 5. Is a top plan view thereof; and,

FIG. 6. is a bottom view thereof.

The broken line showing portions of the drawings are for illustrative purposes only and form no part of the claimed design.

**1 Claim, 5 Drawing Sheets**



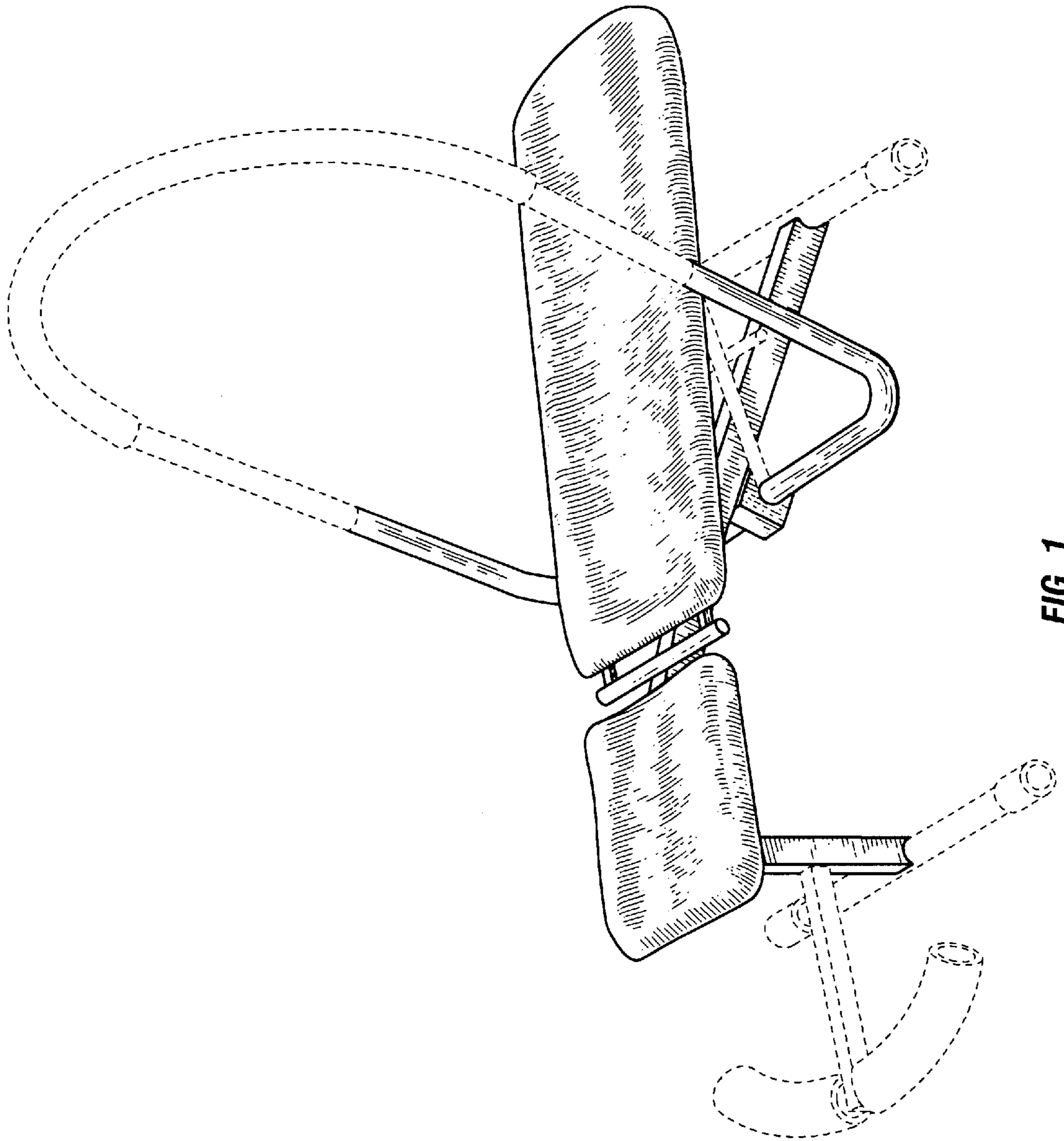


FIG. 1

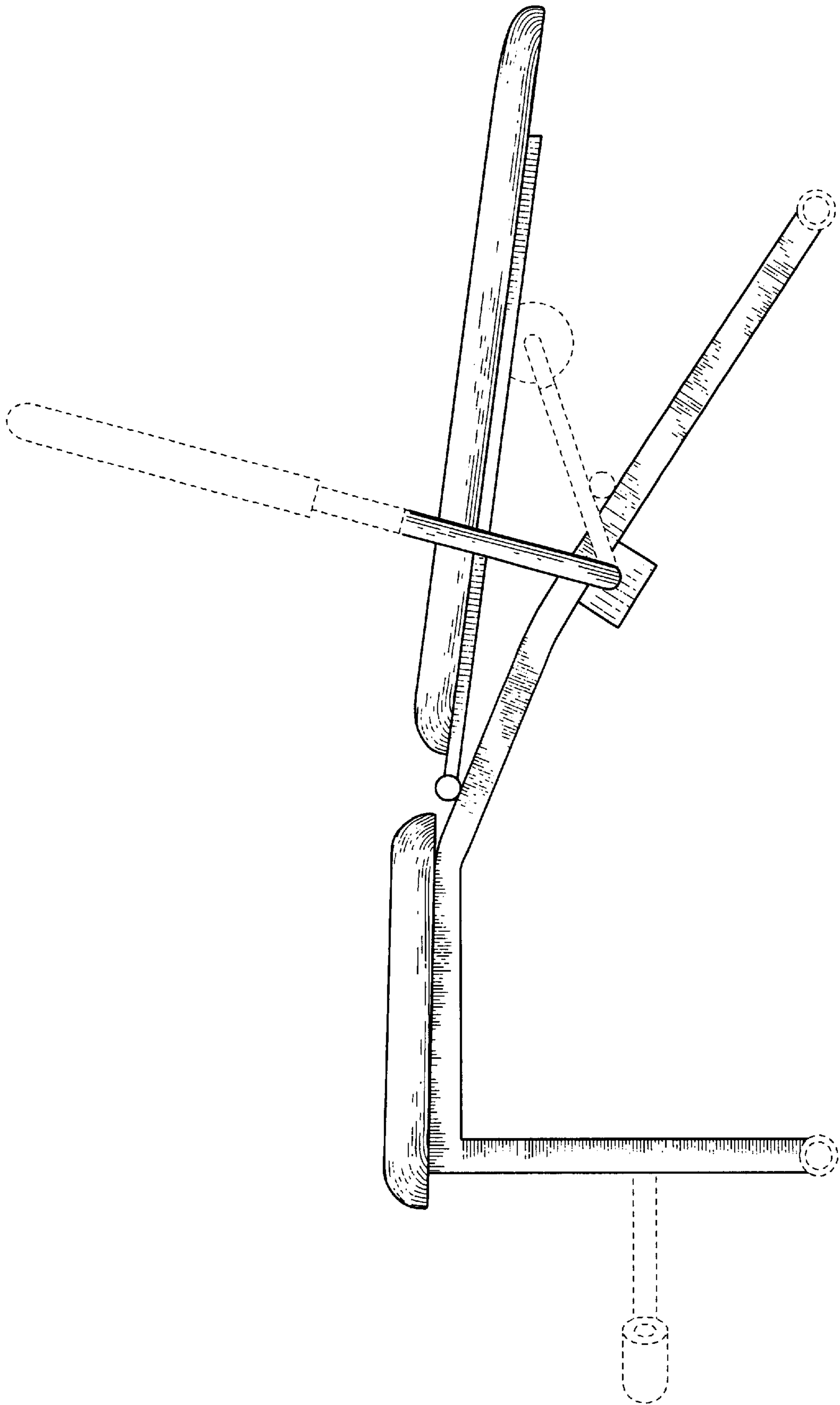


FIG. 2

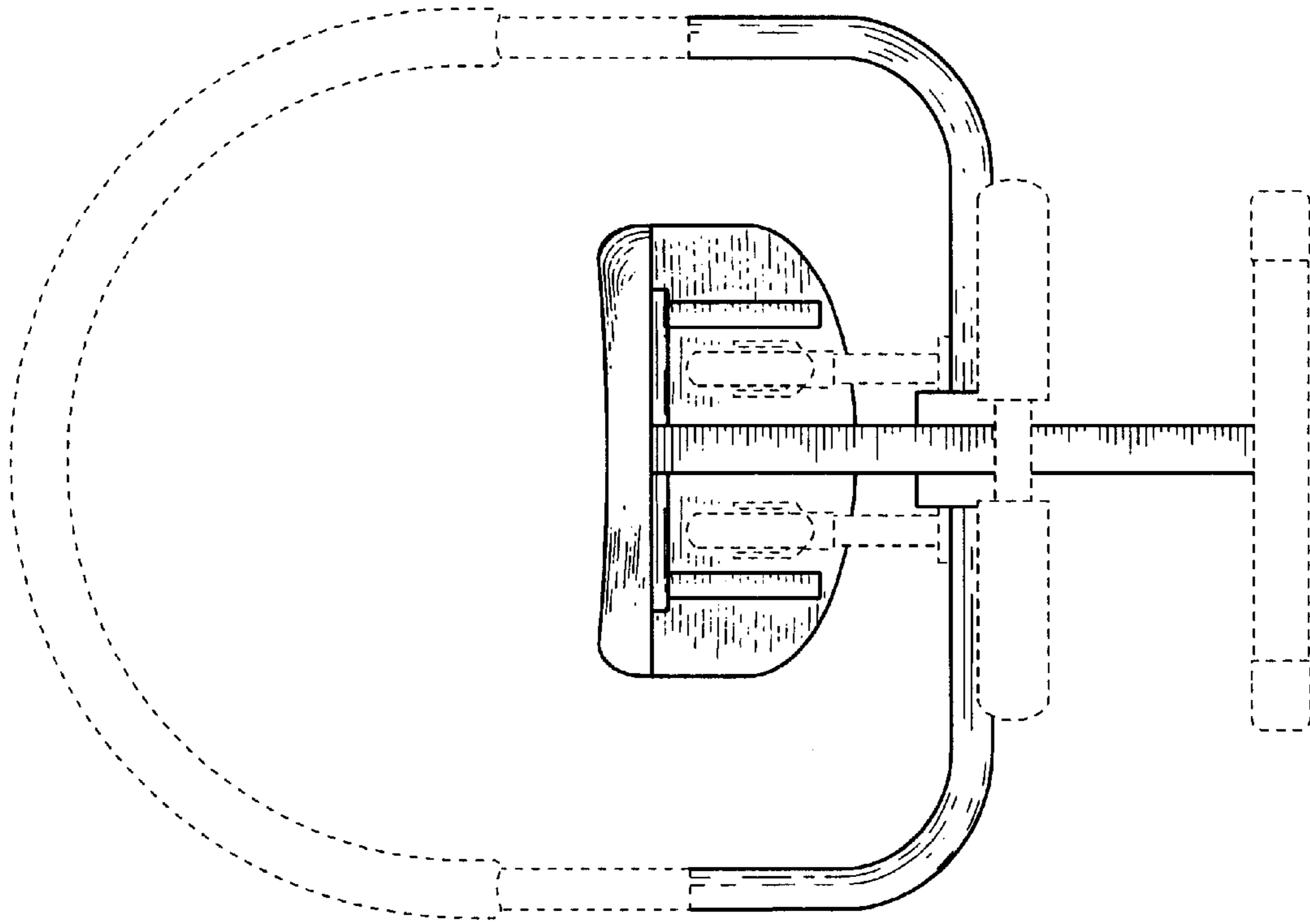


FIG. 4

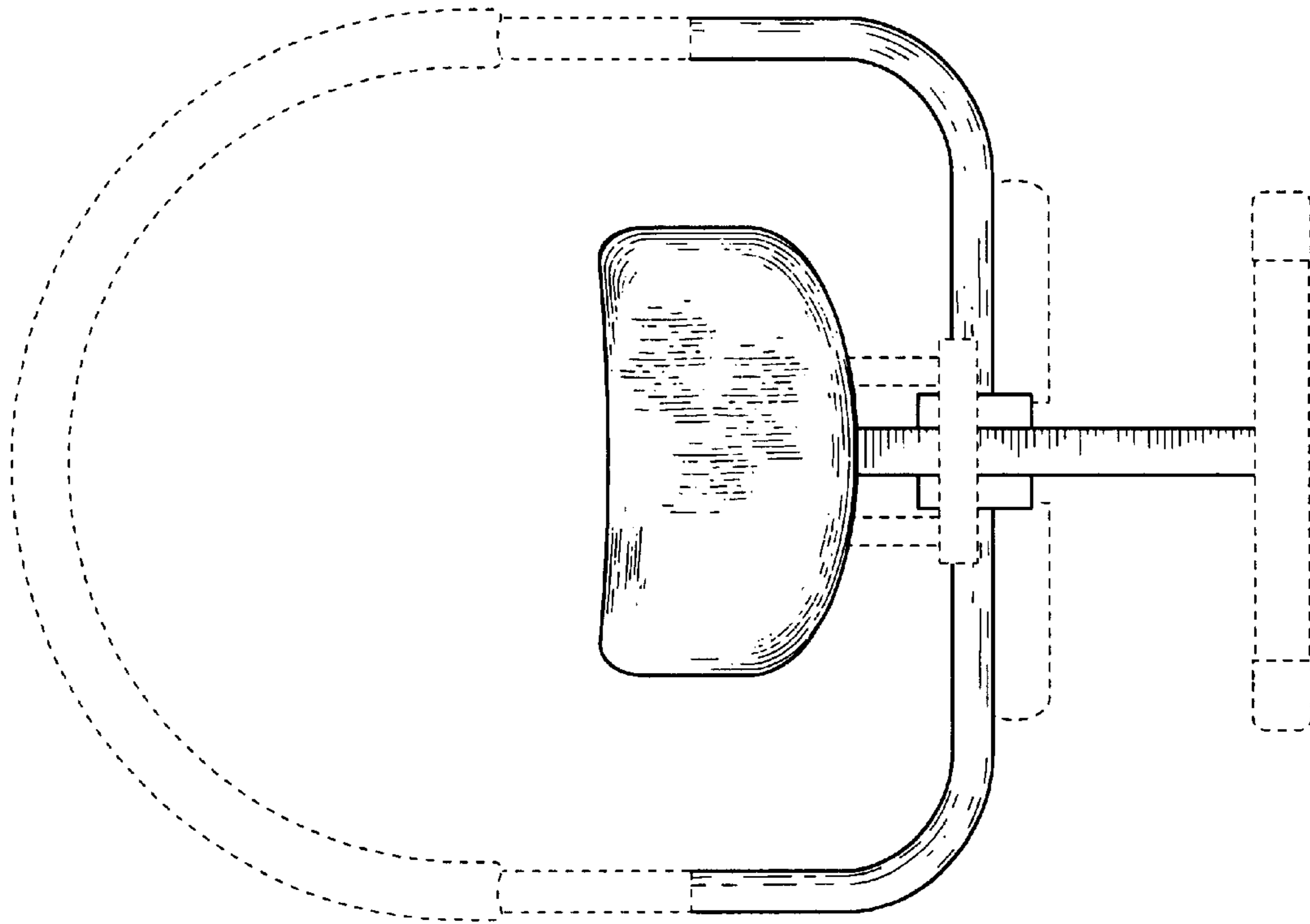


FIG. 3

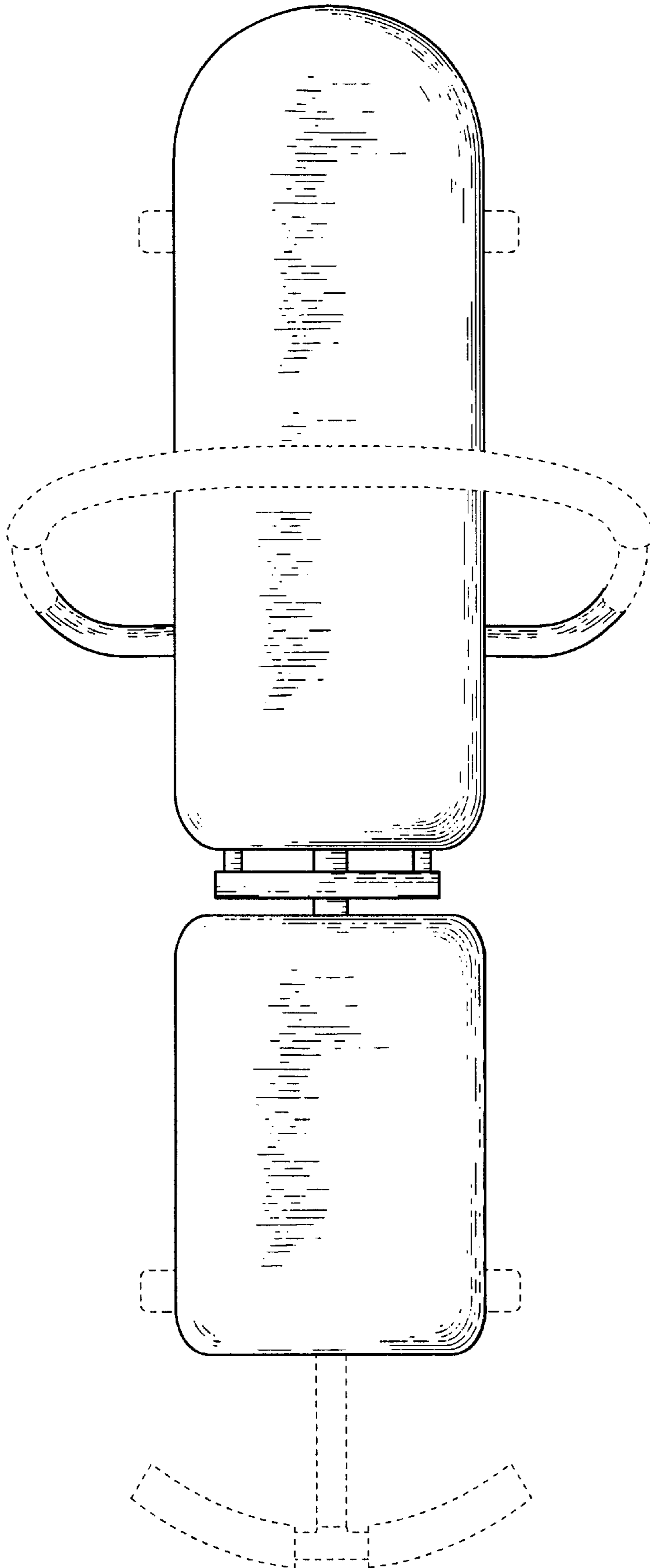


FIG. 5

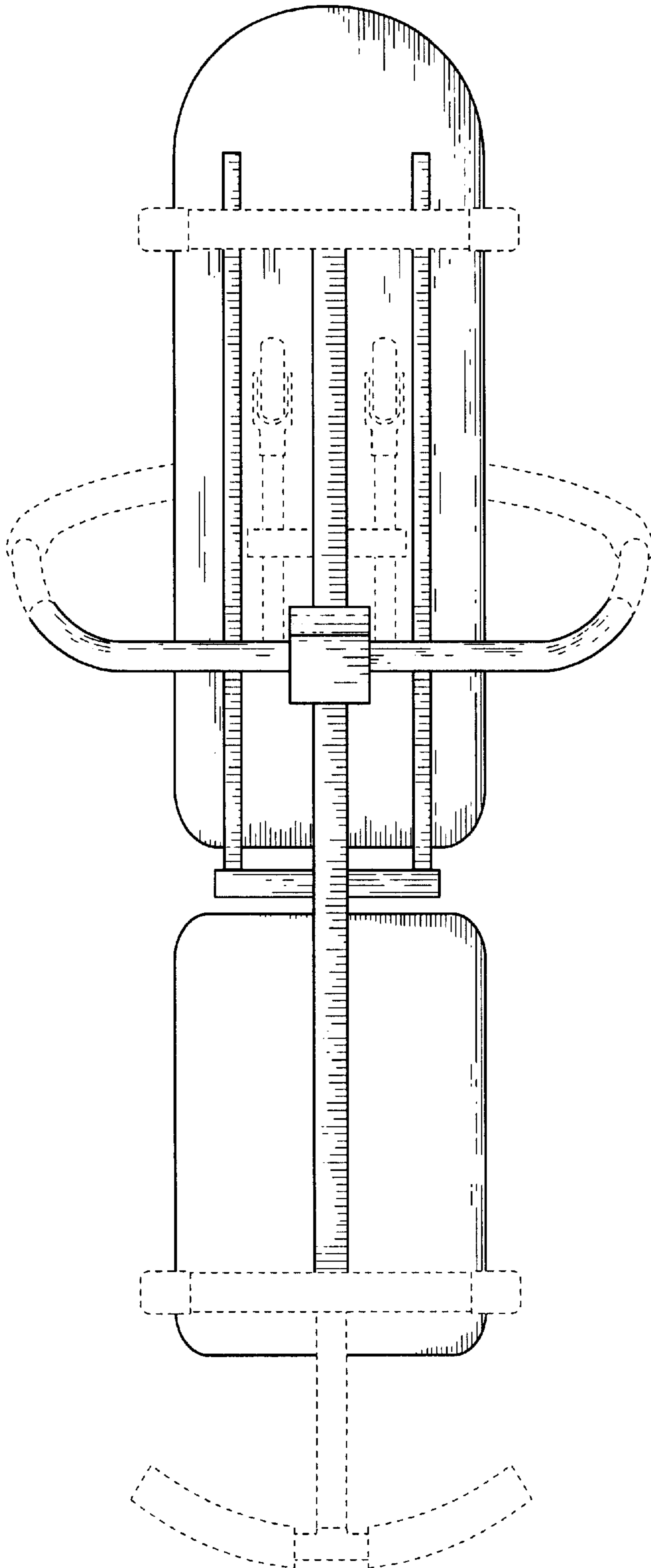


FIG. 6