



US00D476043S

(12) **United States Design Patent**
Manville

(10) **Patent No.:** **US D476,043 S**

(45) **Date of Patent:** **** Jun. 17, 2003**

(54) **CRAFT KIT CONSTRUCTION COMPONENT—QUARTER-CIRCLE PETAL FORM**

5,681,201 A 10/1997 Choi
D416,093 S * 11/1999 Whitson D25/113
5,984,756 A 11/1999 Krog
6,004,182 A 12/1999 Pasin
6,231,416 B1 5/2001 Clever et al.

(75) **Inventor:** **Richard B. Manville**, Los Angeles, CA (US)

OTHER PUBLICATIONS

(73) **Assignee:** **Mattel, Inc.**, El Segundo, CA (US)

Photos 288–289, Building toy and case undated.
Photo 290, LEGO Classic Building toy undated.
Photos 291–293, DISCOVERY TOYS Bright Builders toy undated.
Photo 294, K’NEX Jack Knife Big Rig Race Transport undated.
Photos 295–296, LEGO Jack Stone Copter Transport undated.
Photos 297–298, T.C. TIMBER Animal Beads undated.
Photos 299–300, LEGO Team Transport building toy undated.
Photo 301, ANATOMICS Dynamic building system undated.
Photos 302–303, CREATIVITY FOR KIDS Funky Fab Door Curtain undated.
Photo 304, ANATEX Suction Cup Coaster undated.
Photo 305, CONSTRUX Power Copters building system undated.
Photo 306, Puff Beads bead set undated.
Photo 307, LISA FRANK Bead Dreams bead set undated.
Photo 308, REXLACE Plastic Craft Lacing undated.
Photos 309–310, LEGO Alien of the Red Planet building toy undated.

(**) **Term:** **14 Years**

(21) **Appl. No.:** **29/157,962**

(22) **Filed:** **Mar. 26, 2002**

(51) **LOC (7) Cl.** **21-01**

(52) **U.S. Cl.** **D21/484; D21/386**

(58) **Field of Search** D6/511; D11/139, D11/153, 154, 164; D8/403; D18/39, 40; D20/22–28; D21/386, 390, 478–480, 484, 489–492, 496, 504, 505; 25/112, 113, 116; 273/156, 157 R, 157 A, 159; 446/85, 87, 102, 113; 47/33

(56) **References Cited**

U.S. PATENT DOCUMENTS

1,818,404 A 8/1931 Kaufman
D96,783 S * 9/1935 Snyder D25/113
3,564,758 A 2/1971 Willis
3,687,500 A 8/1972 Silvius
D228,297 S * 9/1973 Mull D11/139
3,827,177 A 8/1974 Wengel
3,855,748 A 12/1974 Thomas
4,124,958 A 11/1978 Chiche
4,291,512 A 9/1981 Walton
4,334,868 A 6/1982 Levinrad
4,365,454 A 12/1982 Davis
D277,727 S 2/1985 Klaric
4,557,091 A 12/1985 Auer
D285,463 S 9/1986 Davis
4,789,370 A 12/1988 Ellefson
5,061,219 A 10/1991 Glickman
5,222,902 A 6/1993 Piersch
5,470,139 A 11/1995 Hsiao
5,472,365 A 12/1995 Engel
5,647,181 A 7/1997 Hunts

(List continued on next page.)

Primary Examiner—Sandra L. Morris
(74) *Attorney, Agent, or Firm*—Kolisch Hartwell, P.C.

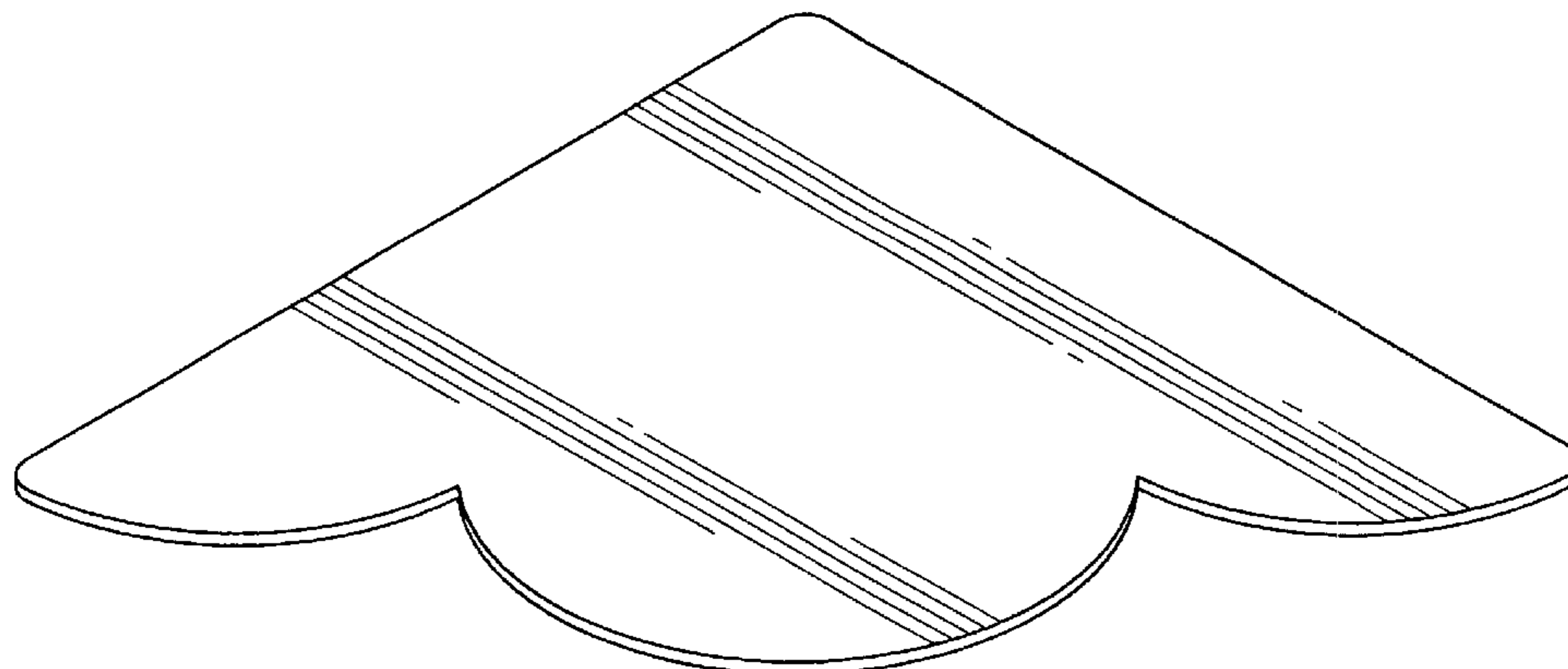
(57) **CLAIM**

The ornamental design for a design craft kit construction component—quarter-circle petal form, as shown and described.

DESCRIPTION

FIG. 1 is a perspective view of the invention; and, FIG. 2 is a plan view of the invention.

1 Claim, 1 Drawing Sheet



OTHER PUBLICATIONS

Photo 311, TINKERTOY Construction Set undated.

Photos 312–313, XTREME SPORTS Skatepark toy undated.

Photos 314–315, LEGO Creator building toy undated.

Photos 316–317, HELLO KITTY playset undated.

Photo 318, S'GETTI STRINGS Activity Pack undated.

Photo 319, Lacing Set undated.

Photo 320, HAMA beads undated.

Photo 321, LEARNING RESOURCES Attributes Lacing Buttons set undated.

Photo 322, CREATIVE GIRLS Hip Hemp bracelet set undated.

Photos 323–324, LEGO Belville building toy undated.

Photos 325–326, PLAYMOBIL prison tower building set undated.

Photo 327, LEGO System building toy undated.

Photos 328–329, K'NEX First Building set undated.

Photo 330, CREATIVE GIRLS Power Beads set undated.

Photos 331–335, LEGO DUPLO Wazo building set undated.

Photos 336–337, POKÉMON Battle Figures Series 1 toys undated.

Photos 400–404, PABLO 3-D Stick Game undated.

* cited by examiner

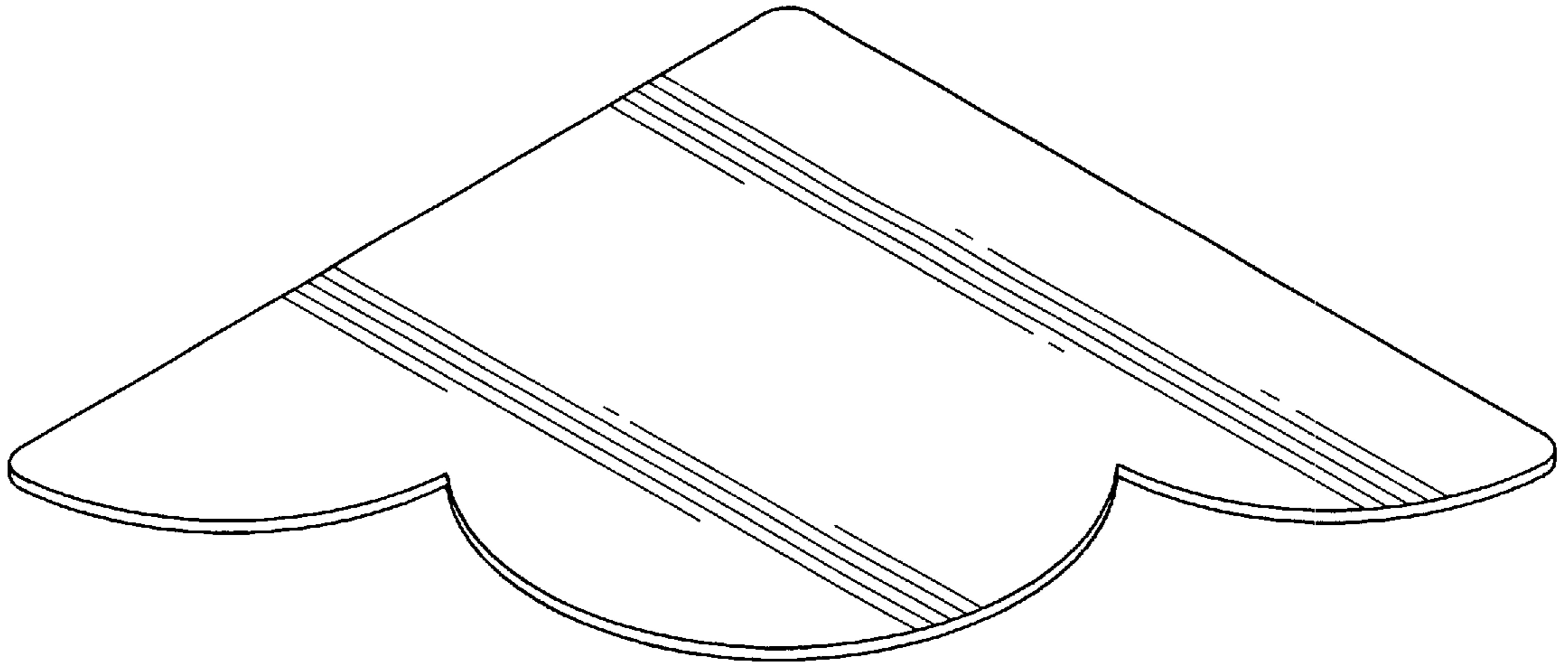


FIG.1

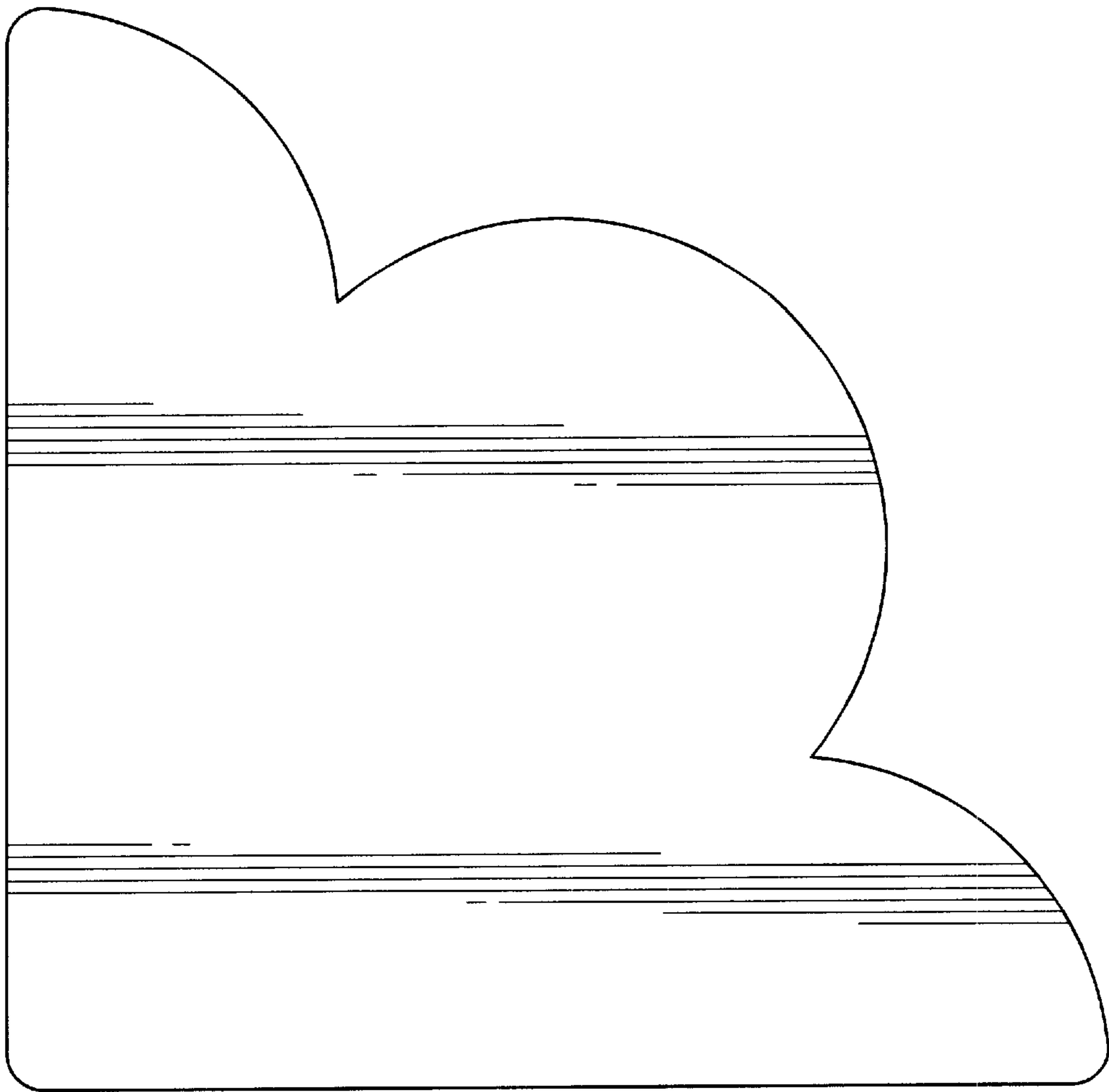


FIG.2