



US00D476042S

(12) **United States Design Patent**
Hsieh

(10) **Patent No.:** **US D476,042 S**

(45) **Date of Patent:** **** Jun. 17, 2003**

(54) **SKATEBOARD**

(76) **Inventor:** **Tong-Lin Hsieh**, 22-1, Kan Qien, Kan Qien Li, Pu Zu City, Jai Yi Hsien (TW)

(**) **Term:** **14 Years**

(21) **Appl. No.:** **29/165,535**

(22) **Filed:** **Aug. 12, 2002**

(51) **LOC (7) Cl.** **21-01**

(52) **U.S. Cl.** **D21/423; D21/765**

(58) **Field of Search** D21/419, 421, D21/423, 424, 426, 435, 533, 760, 765, 771; D12/107, 110-112; 280/62, 282, 87.04, 87.041, 87.042; 180/18, 216

(56) **References Cited**

U.S. PATENT DOCUMENTS

6,155,553	A	*	12/2000	Wang et al.	280/87.041
D443,000	S	*	5/2001	Chen	D21/423
D445,145	S	*	7/2001	Yang	D21/423
D449,860	S	*	10/2001	Lin	D21/423

6,345,678	B1	*	2/2002	Chang	180/181
6,416,060	B1	*	7/2002	Chen	280/87.041

* cited by examiner

Primary Examiner—Raphael Barkai
(74) *Attorney, Agent, or Firm*—Alan Kamrath; Rider, Bennett, Egan & Arundel, LLP

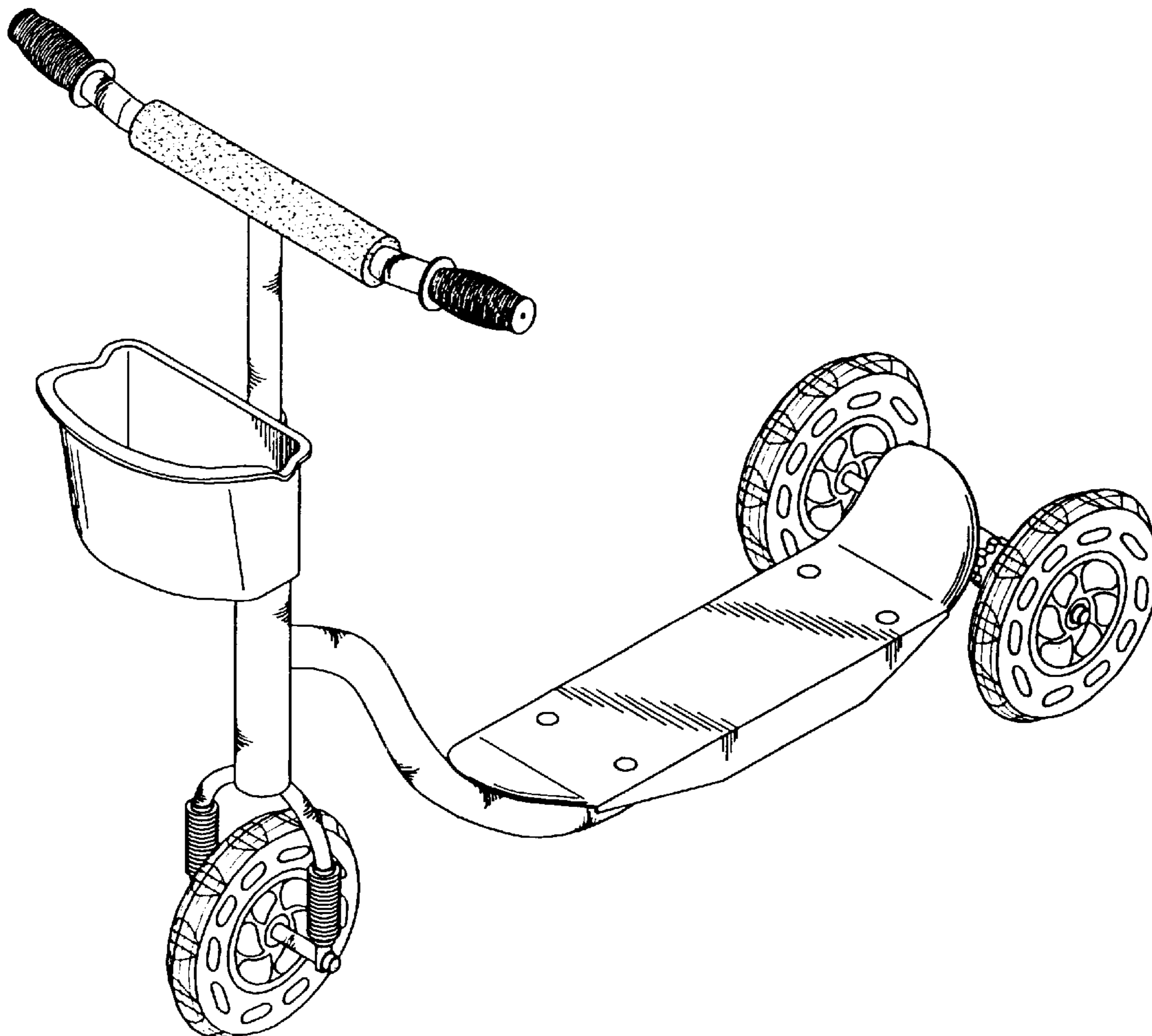
(57) **CLAIM**

The ornamental design for a skateboard, as shown and described.

DESCRIPTION

FIG. 1 is a perspective view of a skateboard showing my new design;
FIG. 2 is a front elevational view thereof;
FIG. 3 is a rear elevational view thereof;
FIG. 4 is a left side elevational view thereof;
FIG. 5 is a right side elevational view thereof;
FIG. 6 is a top plan view thereof; and,
FIG. 7 is a bottom plan view thereof.

1 Claim, 4 Drawing Sheets



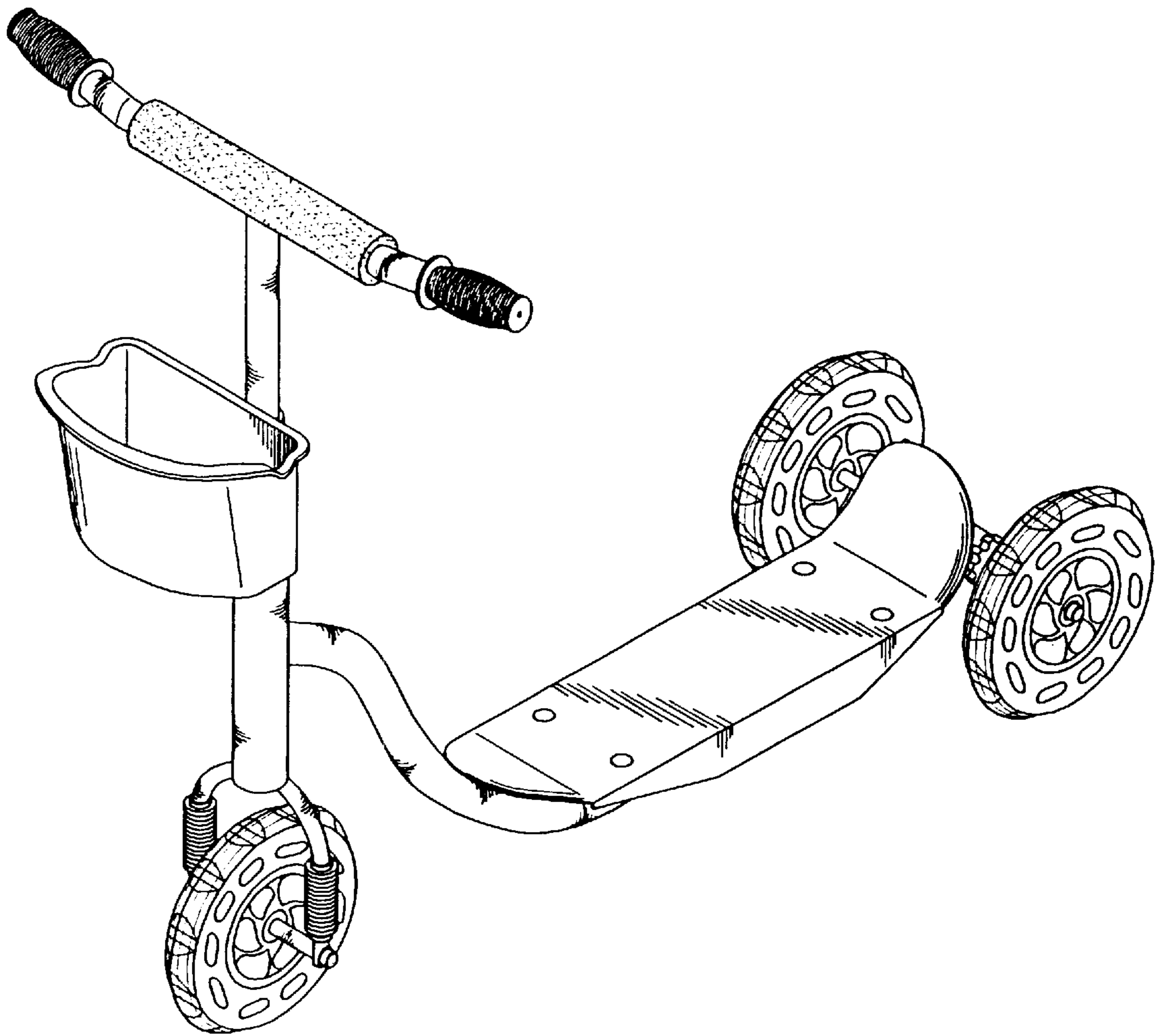


FIG. 1

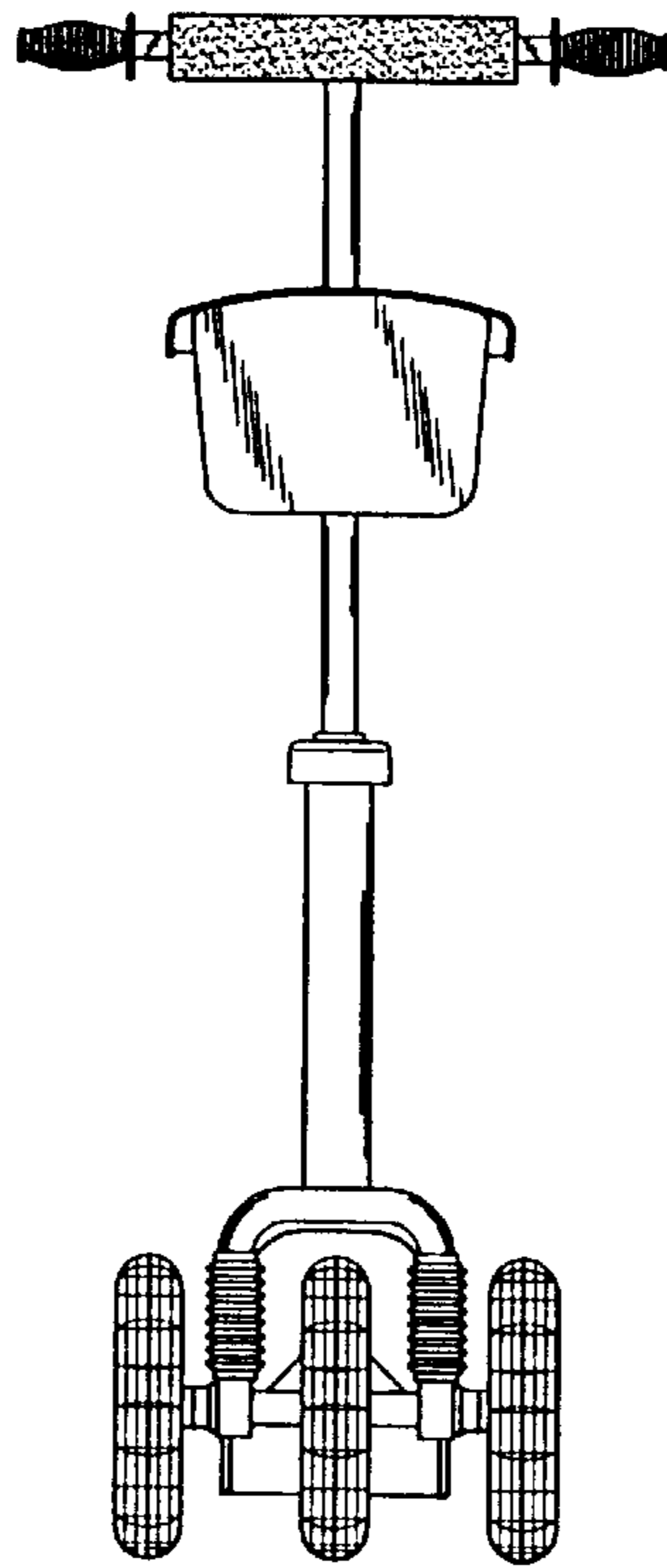


FIG. 2

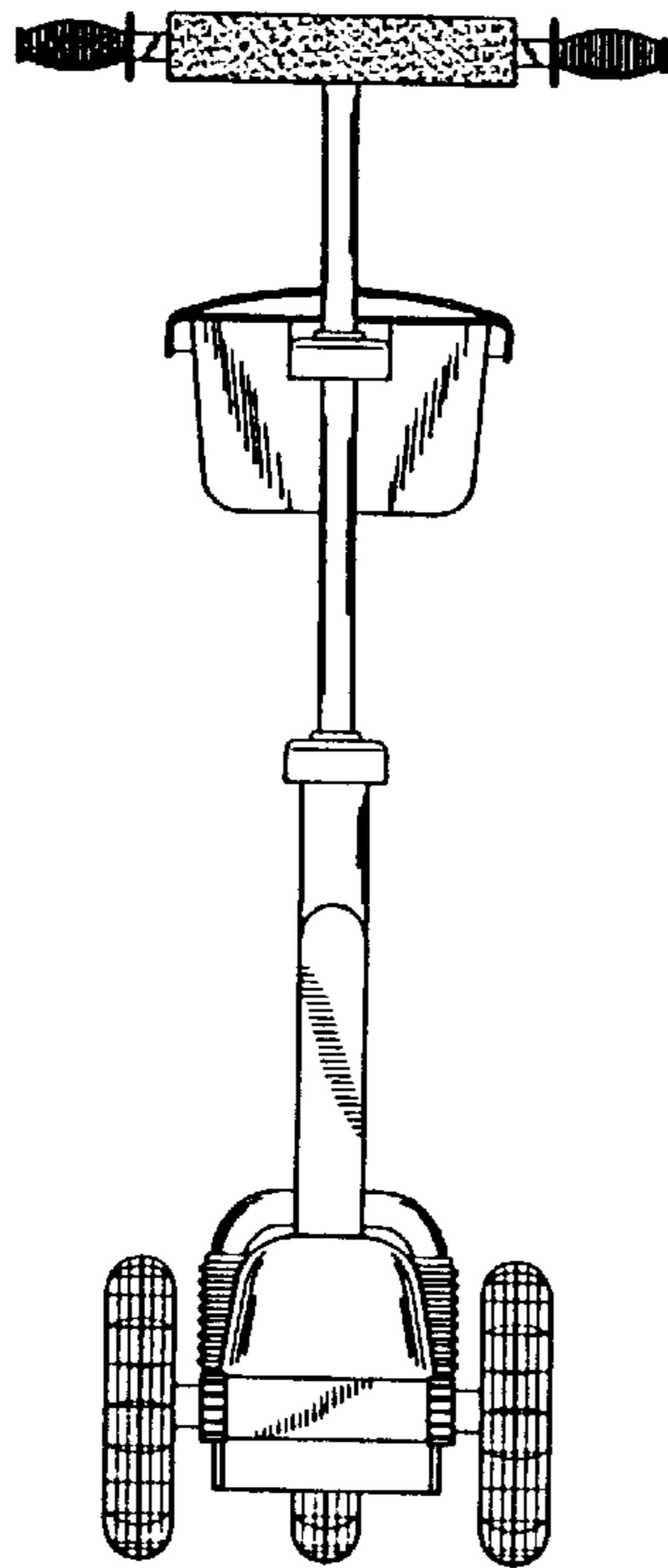


FIG. 3

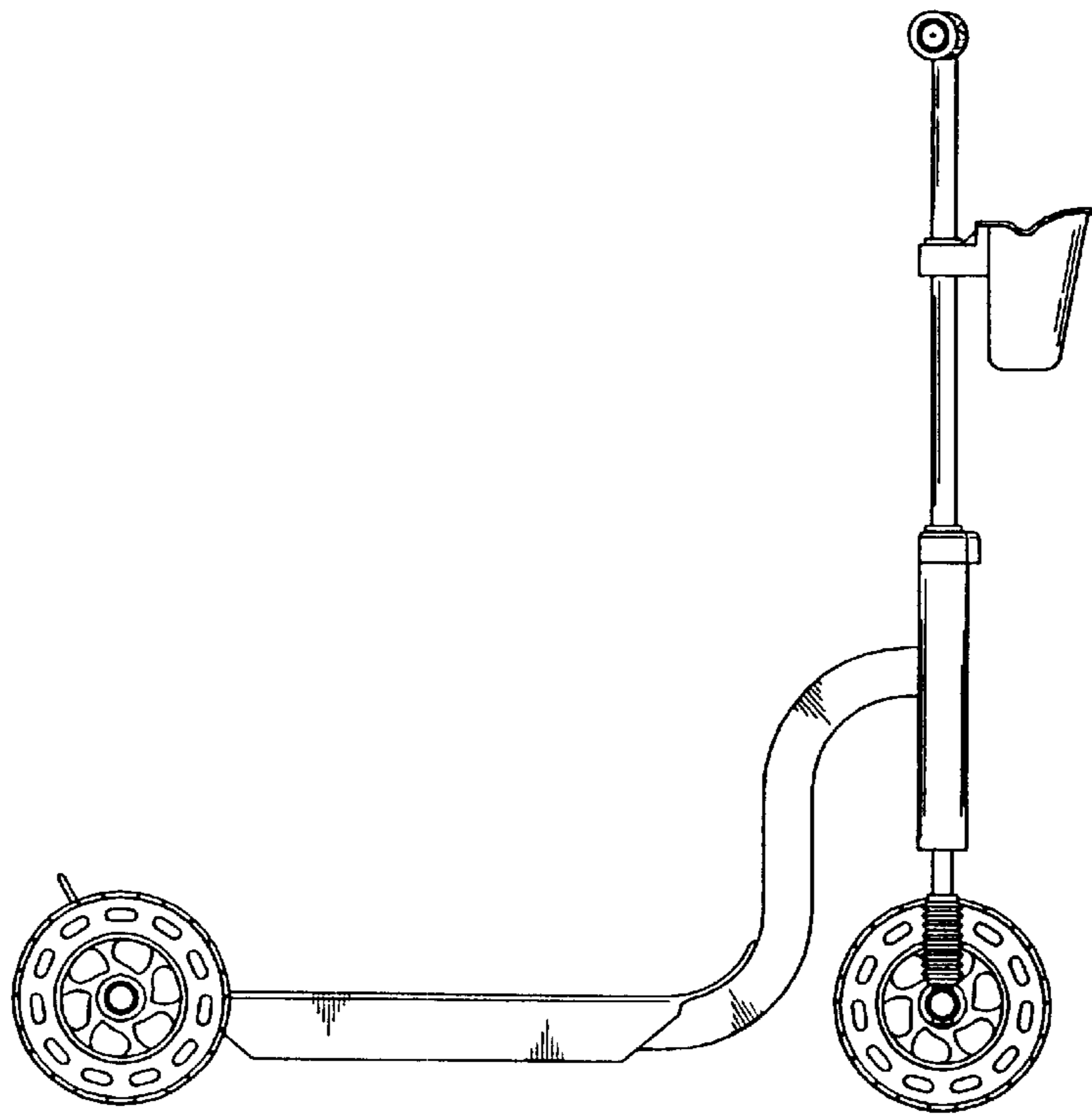


FIG. 4

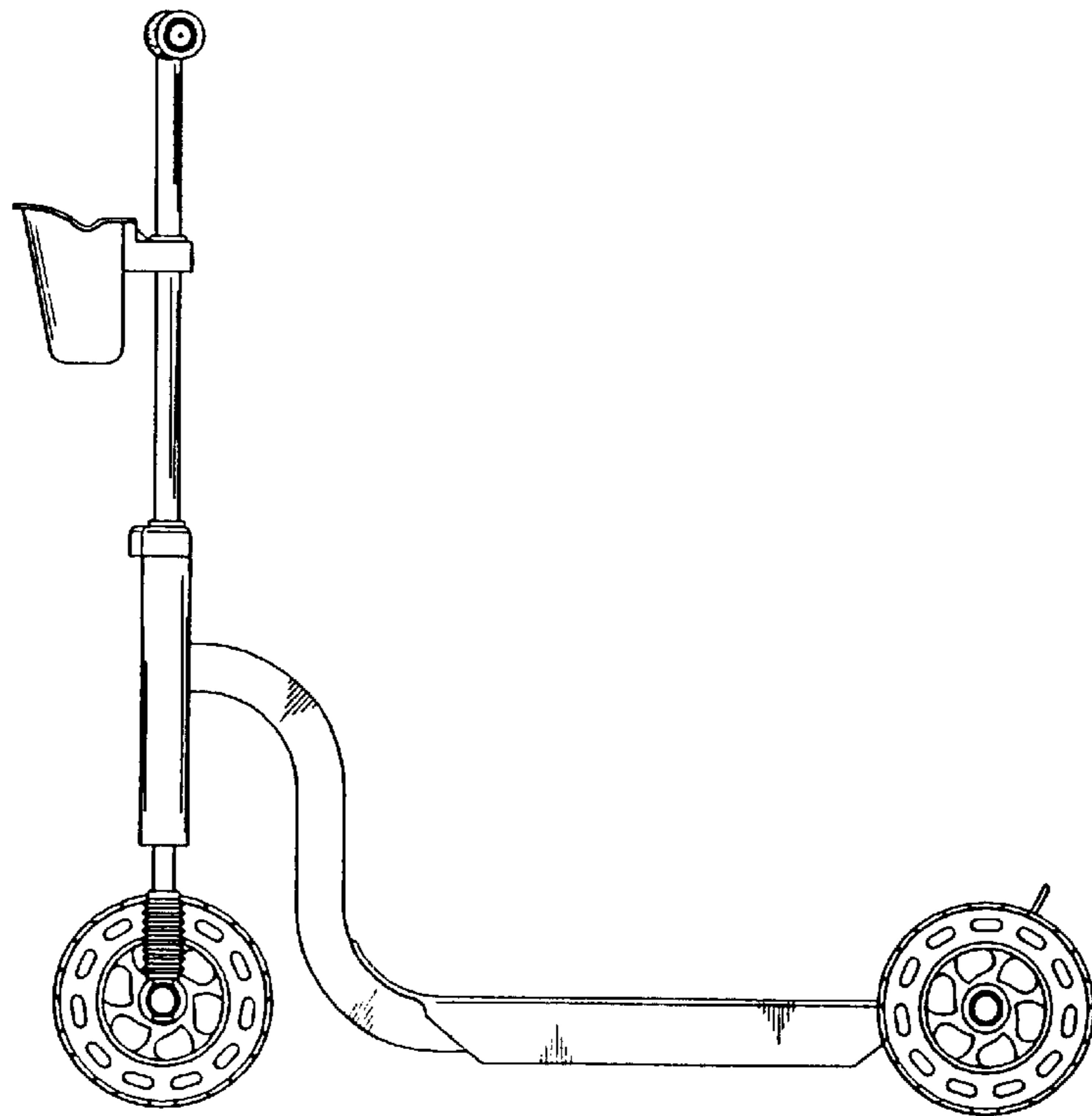


FIG. 5

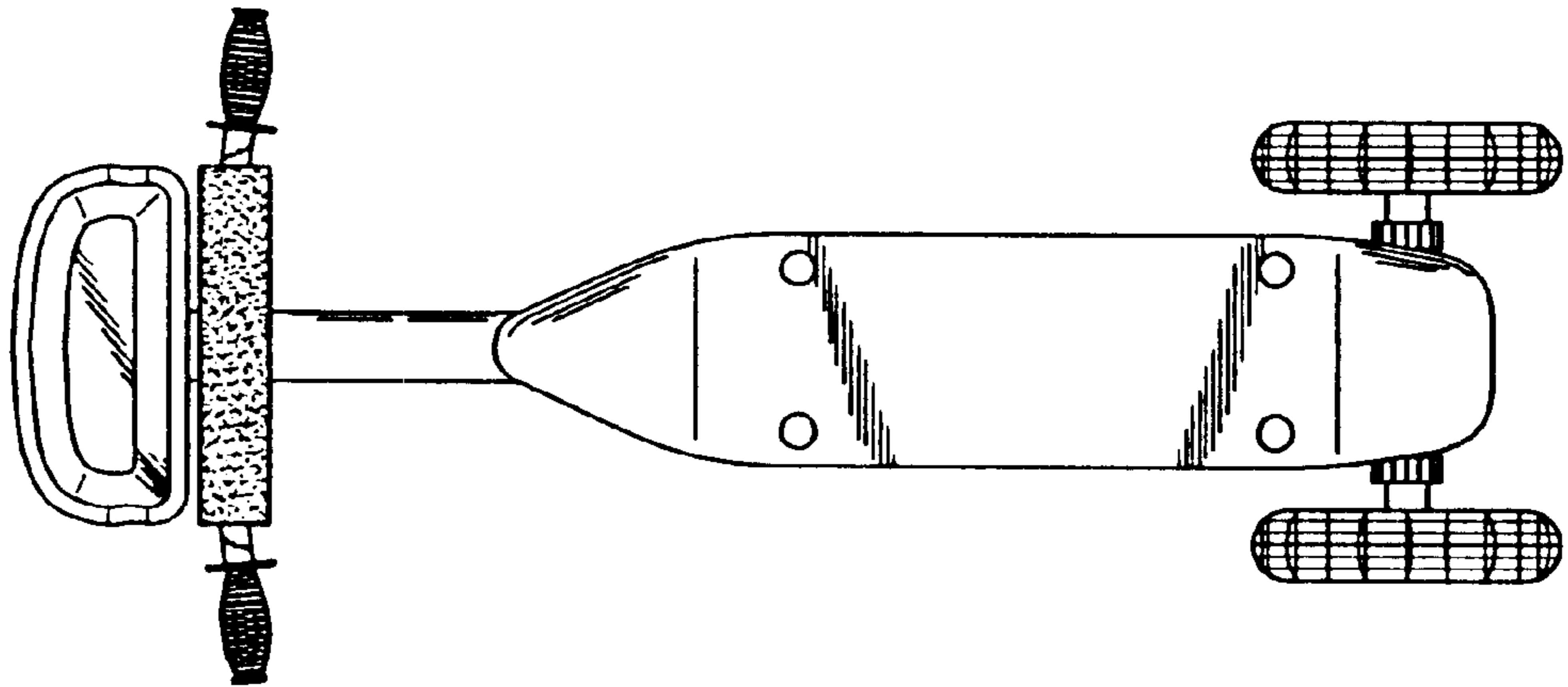


FIG. 6

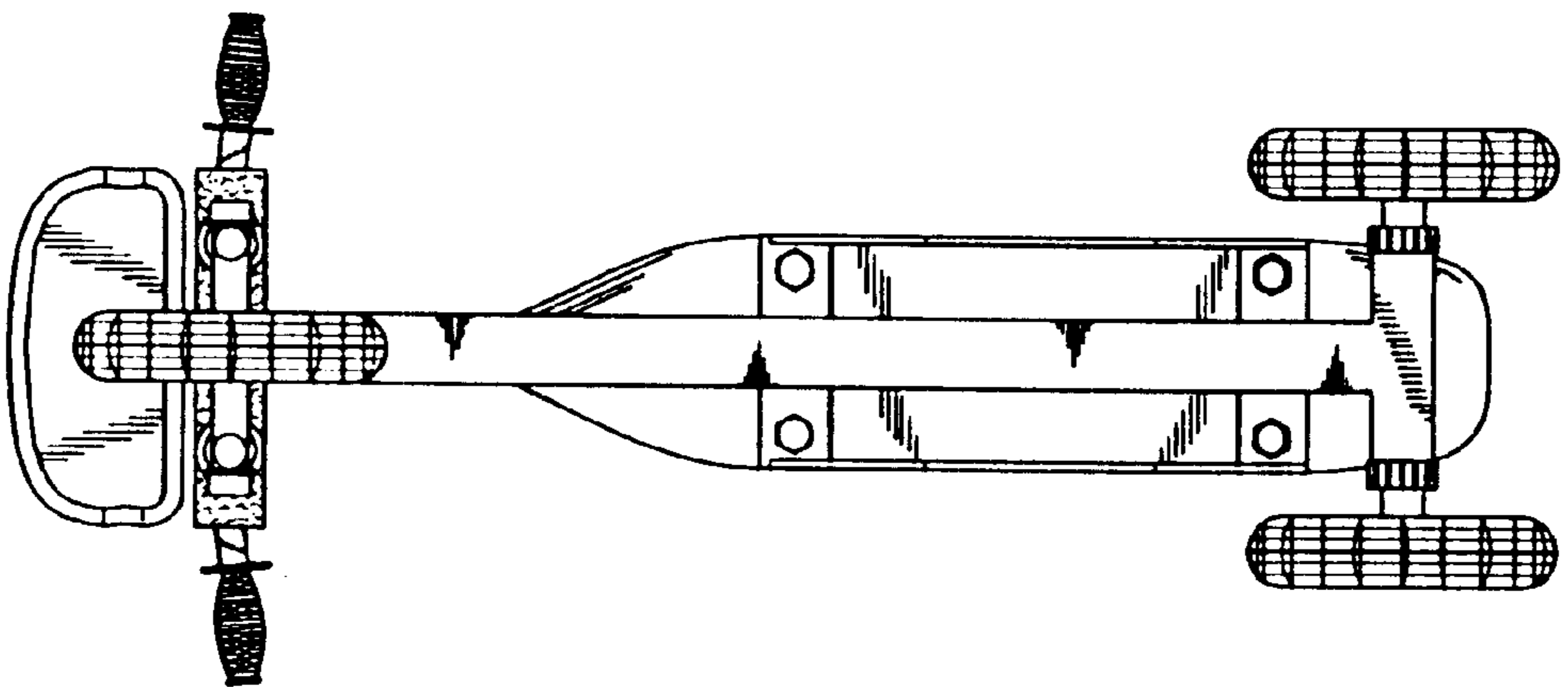


FIG. 7