



US00D476040S

(12) **United States Design Patent**
LeKay

(10) **Patent No.:** **US D476,040 S**

(45) **Date of Patent:** **** Jun. 17, 2003**

(54) **SIGN HOLDER**

(76) Inventor: **Anthony G. LeKay**, 2480 Del Lago Dr., Ft. Lauderdale, FL (US) 33316

(**) Term: **14 Years**

(21) Appl. No.: **29/164,124**

(22) Filed: **Jul. 17, 2002**

(51) **LOC (7) Cl.** **20-03**

(52) **U.S. Cl.** **D20/44**

(58) **Field of Search** D20/10, 22, 40, D20/42, 43, 44, 99; D19/20; D25/119, 12.1, 122, 124; 40/124.01, 124.05, 584, 642.01, 642.02, 649, 653, 654.01, 661, 661.03; 52/522; 248/214

(56) **References Cited**

U.S. PATENT DOCUMENTS

D62,481 S	*	6/1923	Fogarty	D20/44
D202,759 S	*	11/1965	Fisher	D20/44
D205,054 S	*	6/1966	Wansky	D20/44
D212,407 S	*	10/1968	Marsden	D20/10
D223,415 S	*	4/1972	Finkel	D19/20
D248,895 S	*	8/1978	Frick	D20/42
D267,416 S	*	12/1982	Liptak et al.	D20/43

D291,210 S	*	8/1987	Labbe et al.	D20/43
5,515,632 A	*	5/1996	Gebka et al.	40/649
D434,452 S	*	11/2000	Steiner et al.	D20/40
D435,270 S		12/2000	Healy	D20/10
D443,311 S	*	6/2001	Wildrick	D20/43
6,298,591 B1		10/2001	Healy	40/600
6,308,446 B1		10/2001	Healy	40/600

* cited by examiner

Primary Examiner—Robert M. Spear

(74) *Attorney, Agent, or Firm*—Frank L. Kubler

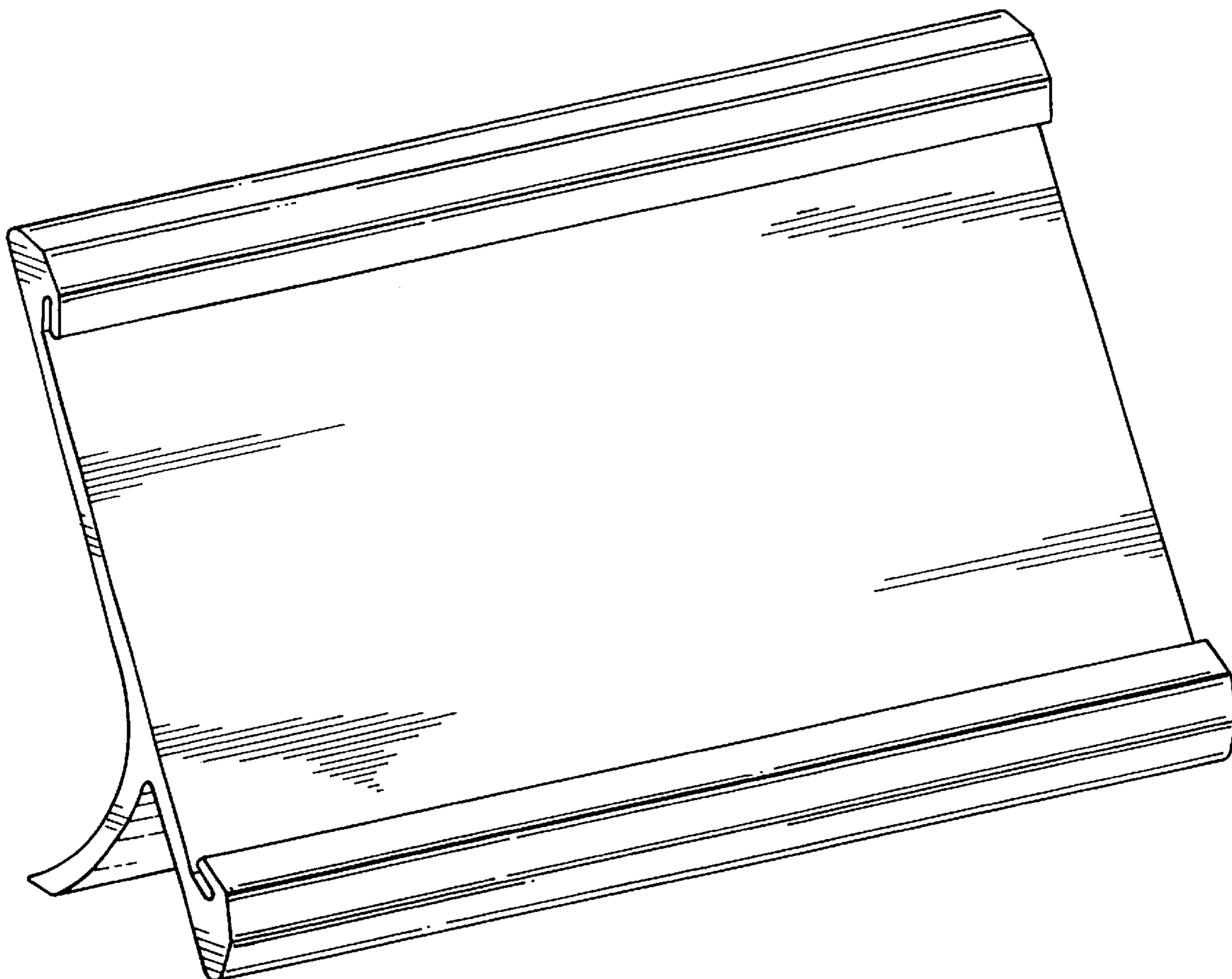
(57) **CLAIM**

The ornamental design for a sign holder, as shown and described.

DESCRIPTION

FIG. 1 is a top view of a sign holder showing my new design;
FIG. 2 is a front view thereof;
FIG. 3 is a bottom view thereof;
FIG. 4 is a first side view thereof;
FIG. 5 is a second side view thereof;
FIG. 6 is a rear view thereof;
FIG. 7 is a front perspective view thereof; and,
FIG. 8 is a rear perspective view thereof.

1 Claim, 5 Drawing Sheets



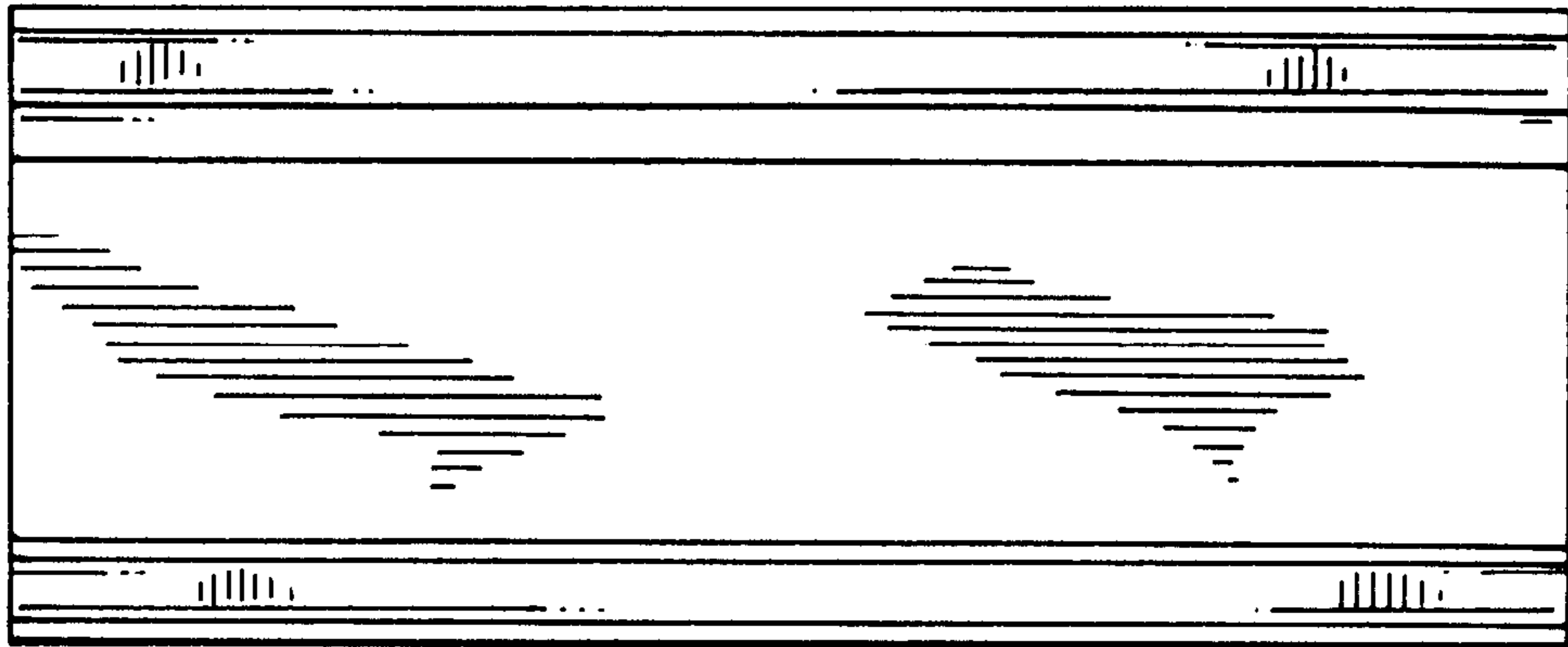


FIG. 1

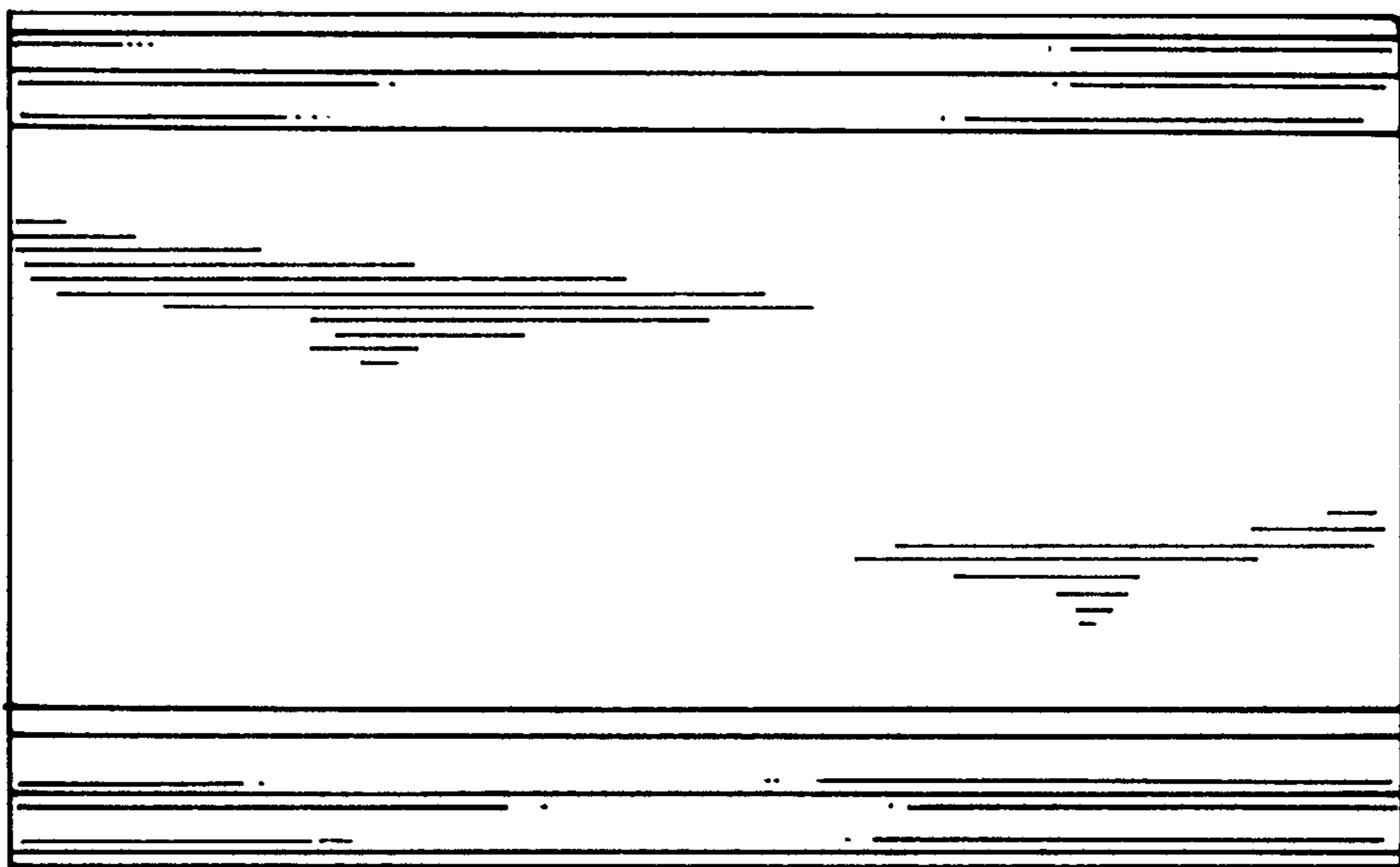


FIG. 2

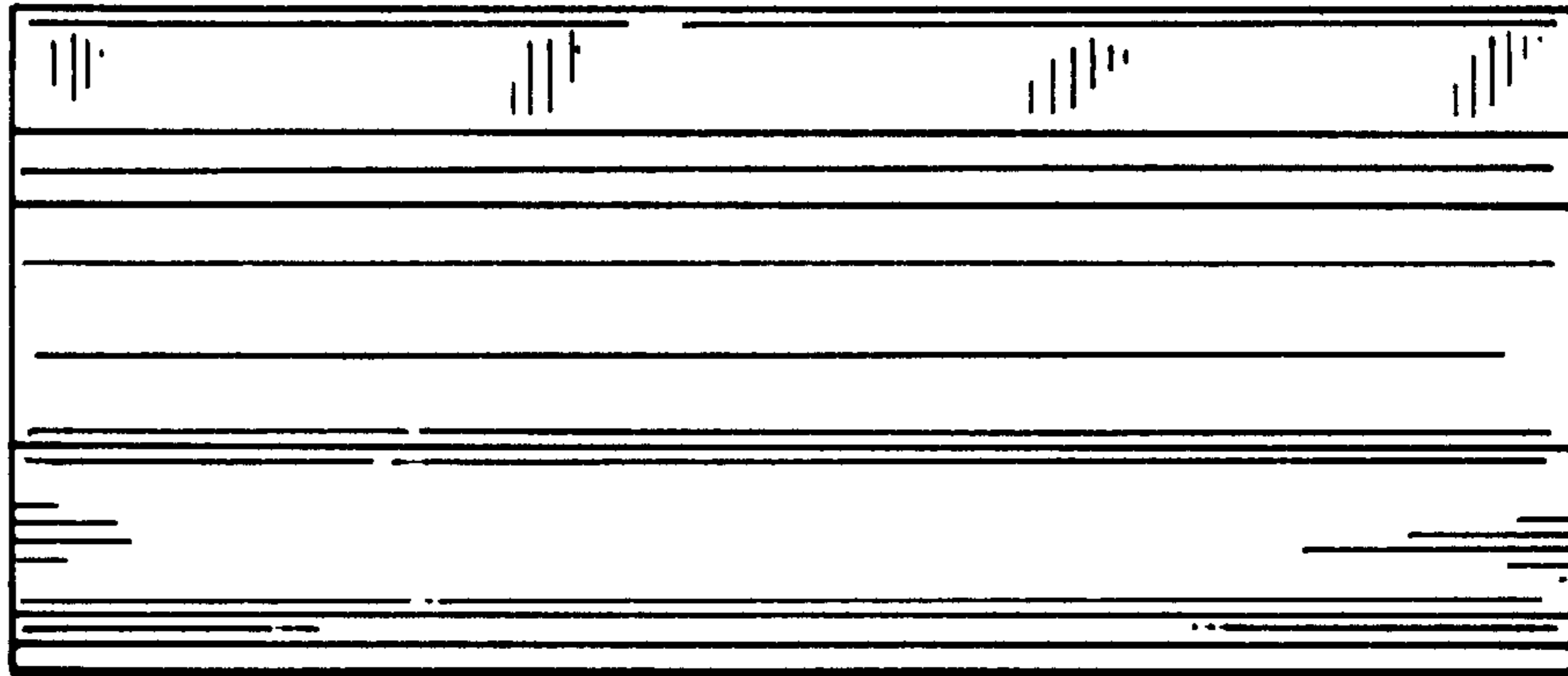


FIG. 3

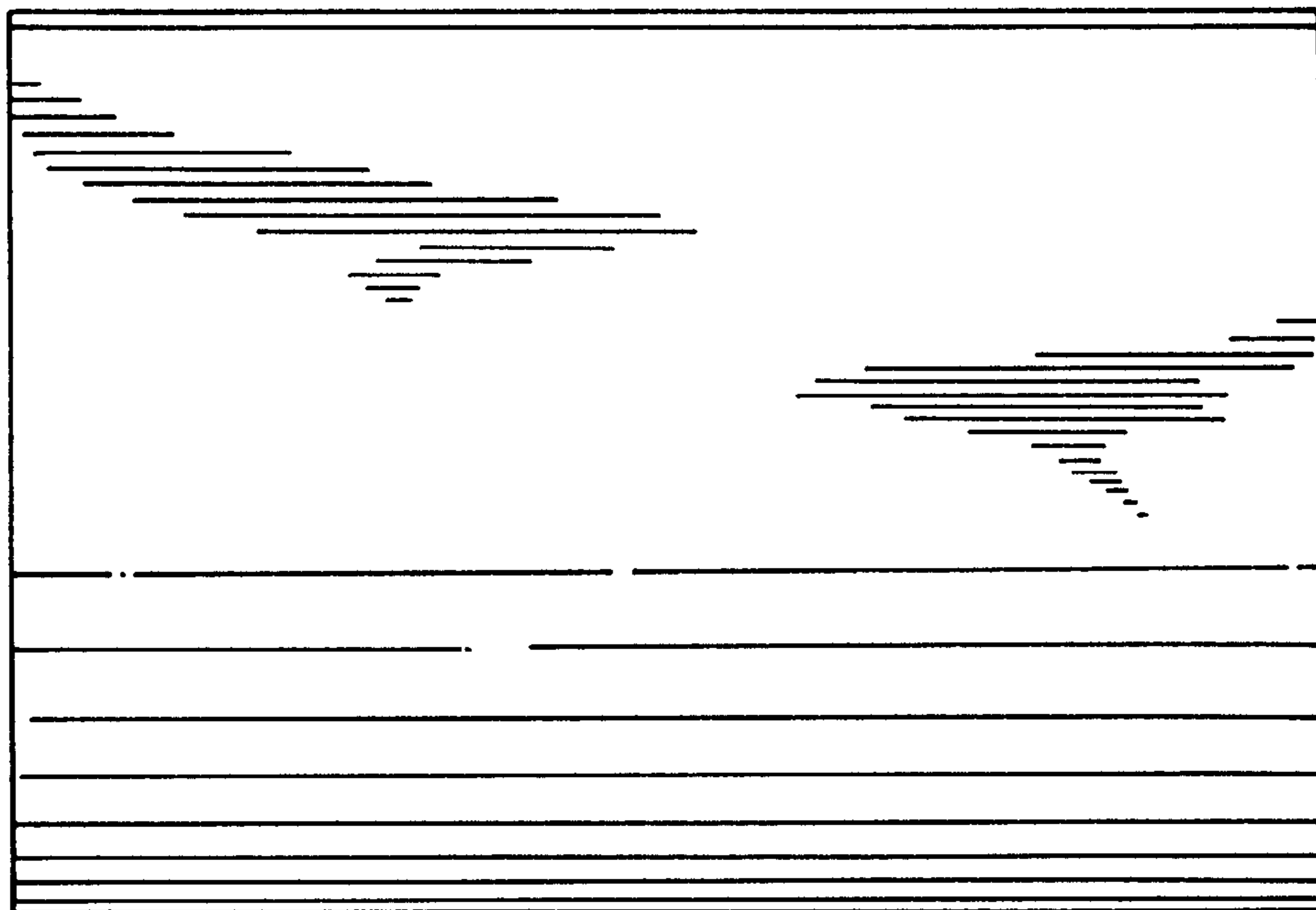


FIG. 6

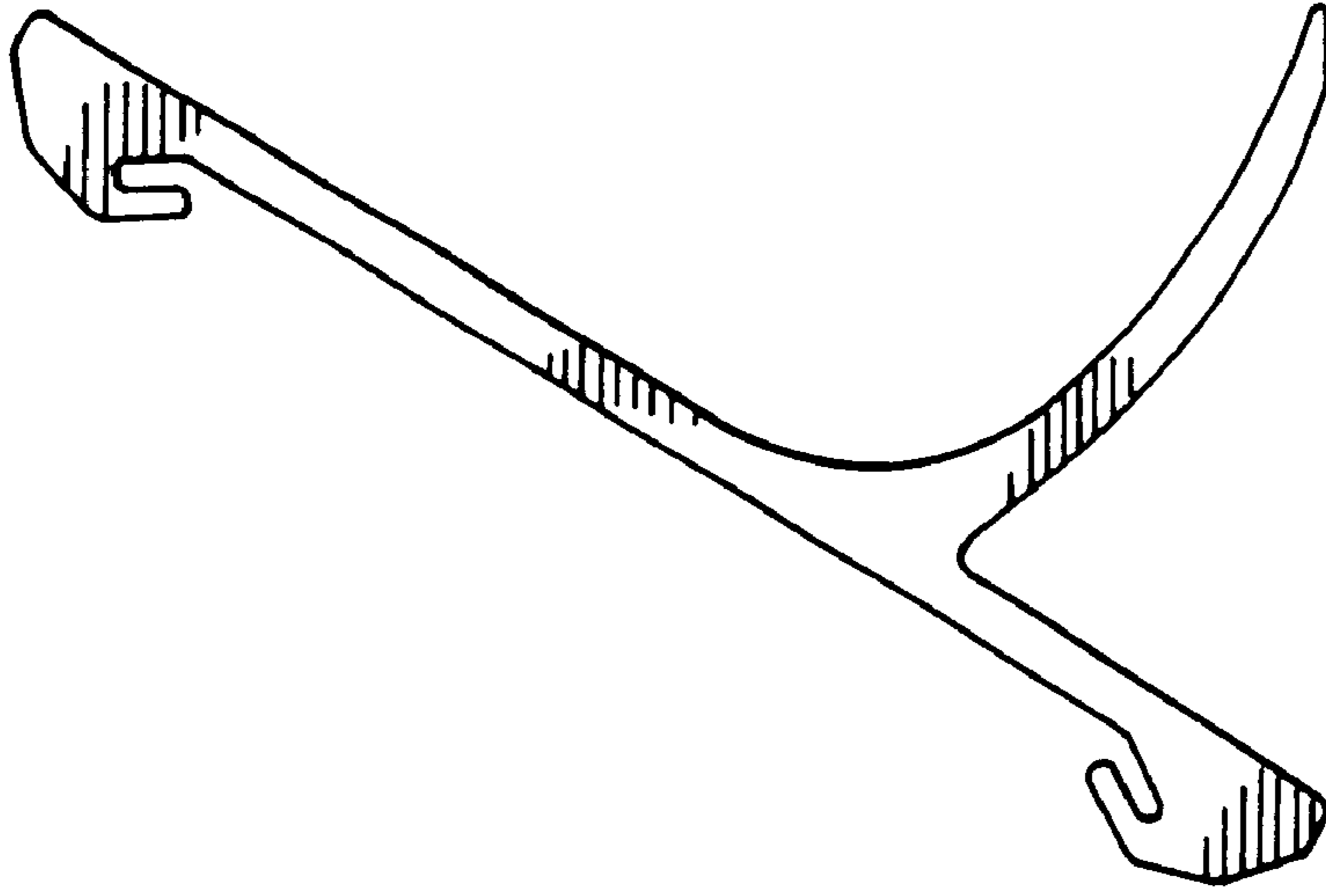


FIG. 5

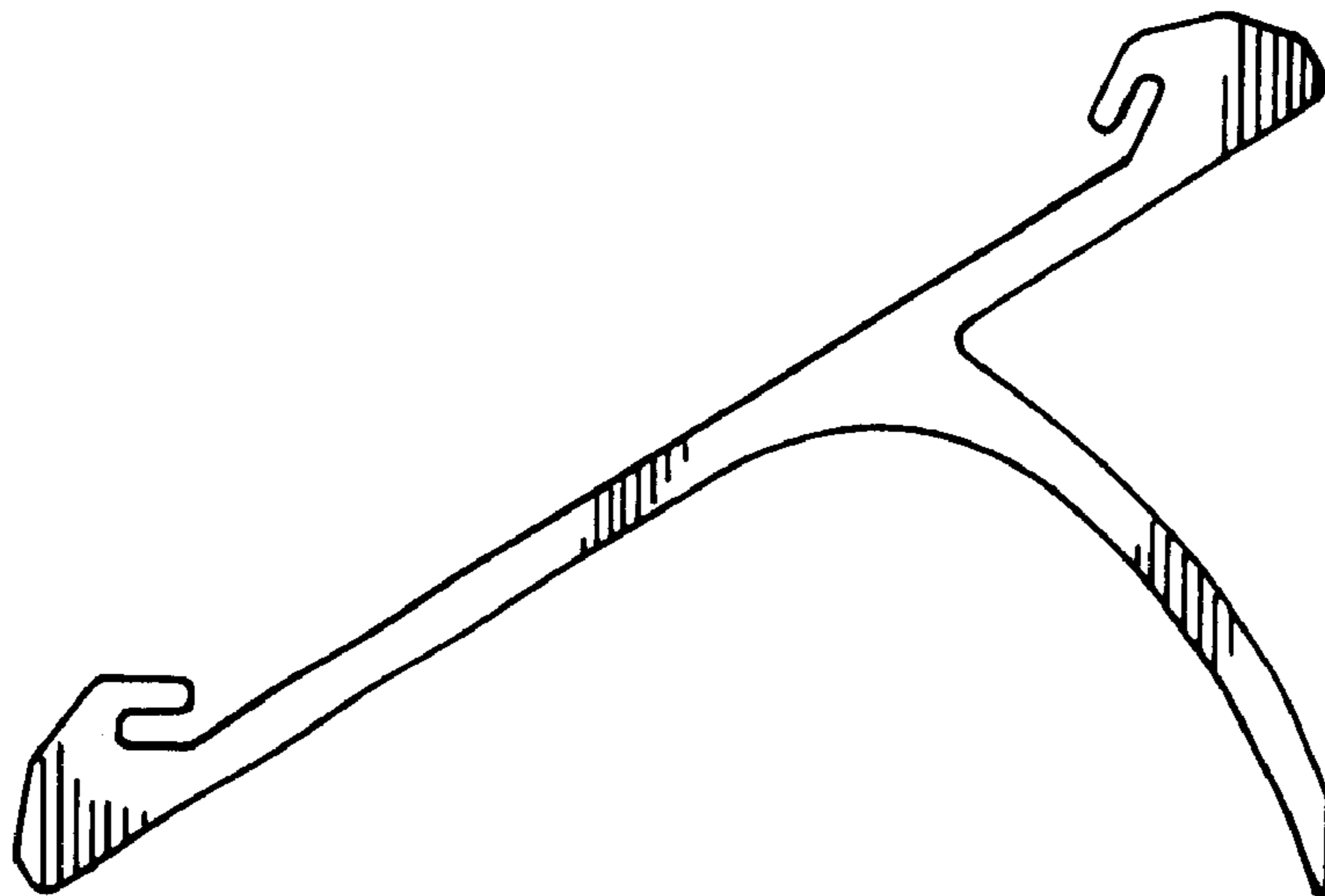


FIG. 4

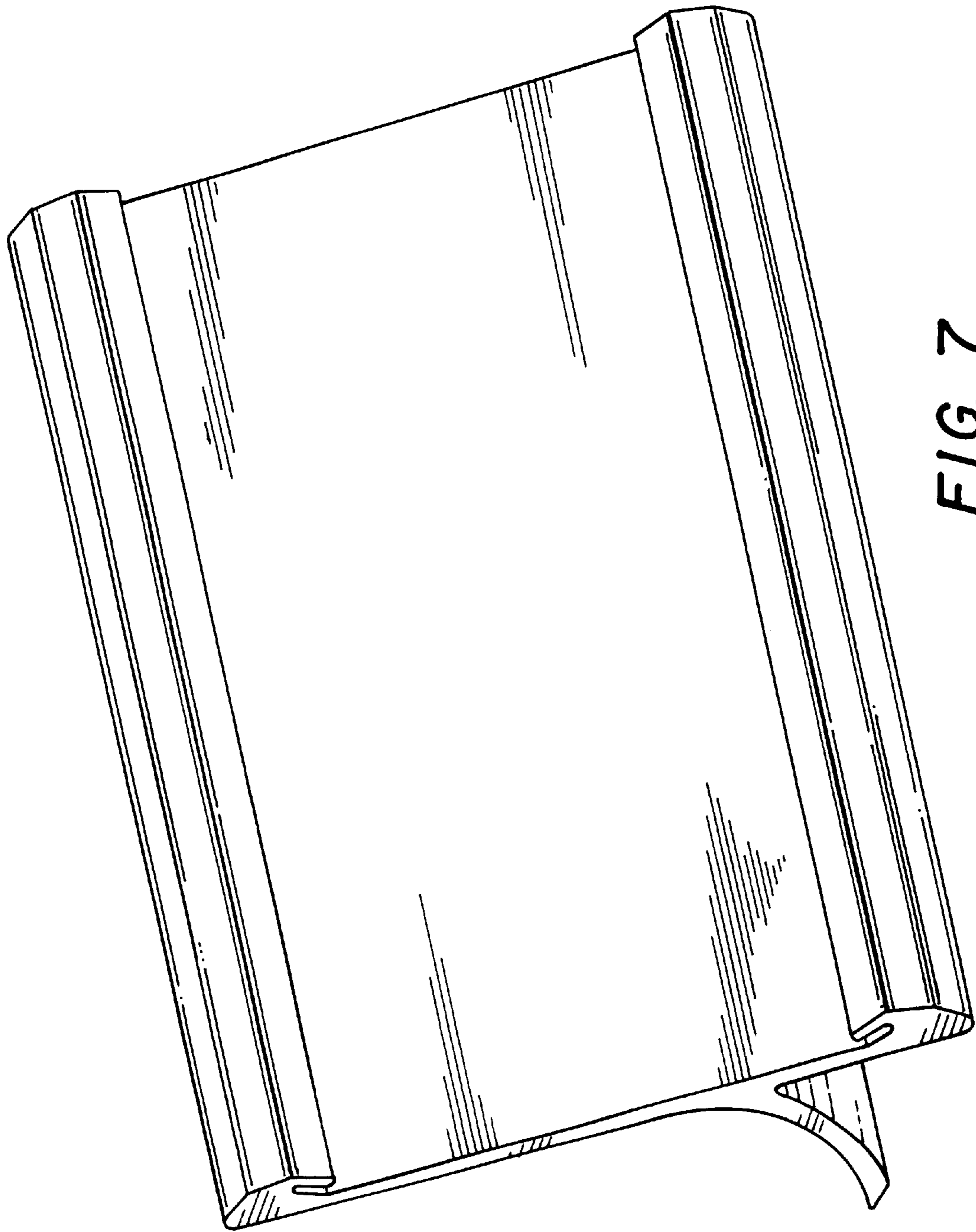


FIG. 7

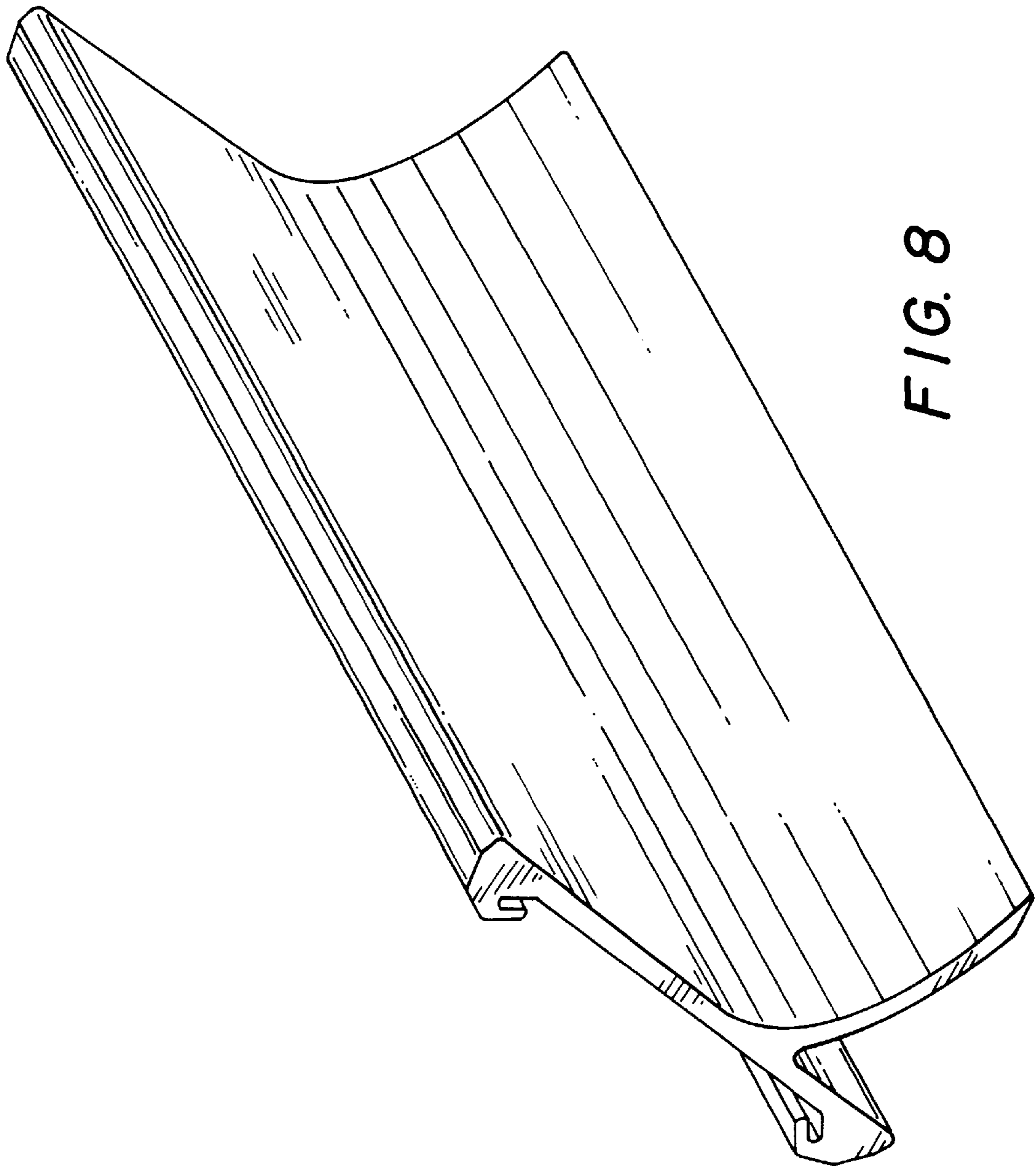


FIG. 8