



US00D476039S

(12) **United States Design Patent**
Forman

(10) **Patent No.:** **US D476,039 S**
(45) **Date of Patent:** **** Jun. 17, 2003**

(54) **SOLAR POWERED DISPLAY**

(76) Inventor: **Rick Forman**, 4812 England, Shawnee Mission, KS (US) 66203

(**) Term: **14 Years**

(21) Appl. No.: **29/155,117**

(22) Filed: **Feb. 4, 2002**

(51) **LOC (7) Cl.** **20-03**

(52) **U.S. Cl.** **D20/17**

(58) **Field of Search** D20/10, 11, 13,
D20/15, 19, 20, 25, 29, 31, 32, 40, 41,
42, 99; 40/1, 218, 124.02, 124.04, 591,
593

(56) **References Cited**

U.S. PATENT DOCUMENTS

| | | | | | |
|-------------|---|---------|------------------|-------|---------|
| 905,468 A | * | 12/1908 | Shearer | | 40/572 |
| D42,109 S | * | 1/1912 | Munroe et al. | | D20/13 |
| D42,839 S | * | 7/1912 | Gee | | D20/13 |
| 1,390,561 A | * | 9/1921 | Kelly | | 40/553 |
| 1,887,727 A | * | 11/1932 | Adams | | 40/203 |
| D206,567 S | * | 1/1967 | Sponsler | | D20/13 |
| 4,611,265 A | * | 9/1986 | Davis | | 362/145 |
| 4,903,172 A | * | 2/1990 | Schoniger et al. | | 362/31 |
| D320,815 S | * | 10/1991 | Frost | | D20/17 |
| D326,826 S | * | 6/1992 | Trimble, Jr. | | D10/114 |
| 5,435,087 A | * | 7/1995 | Karkar et al. | | 40/575 |
| D409,318 S | * | 5/1999 | Hopkins et al. | | D26/31 |
| D460,784 S | * | 7/2002 | Emma | | D20/17 |

* cited by examiner

Primary Examiner—Robert M. Spear
(74) *Attorney, Agent, or Firm*—Hovey Williams LLP

(57) **CLAIM**

The ornamental design for solar powered display, as shown and described.

DESCRIPTION

FIG. 1 is a right upper front perspective view of the solar powered display of the present invention, the broken lines showing numeric indicia on the translucent front panel being for illustrative purposes only and forming no part of the claimed invention;

FIG. 2 is a lower left rear perspective view of the solar powered display of the present invention in an inverted position, the broken lines showing alternate mounting openings in the bottom and rear panels being for illustrative purposes only and forming no part of the claimed invention;

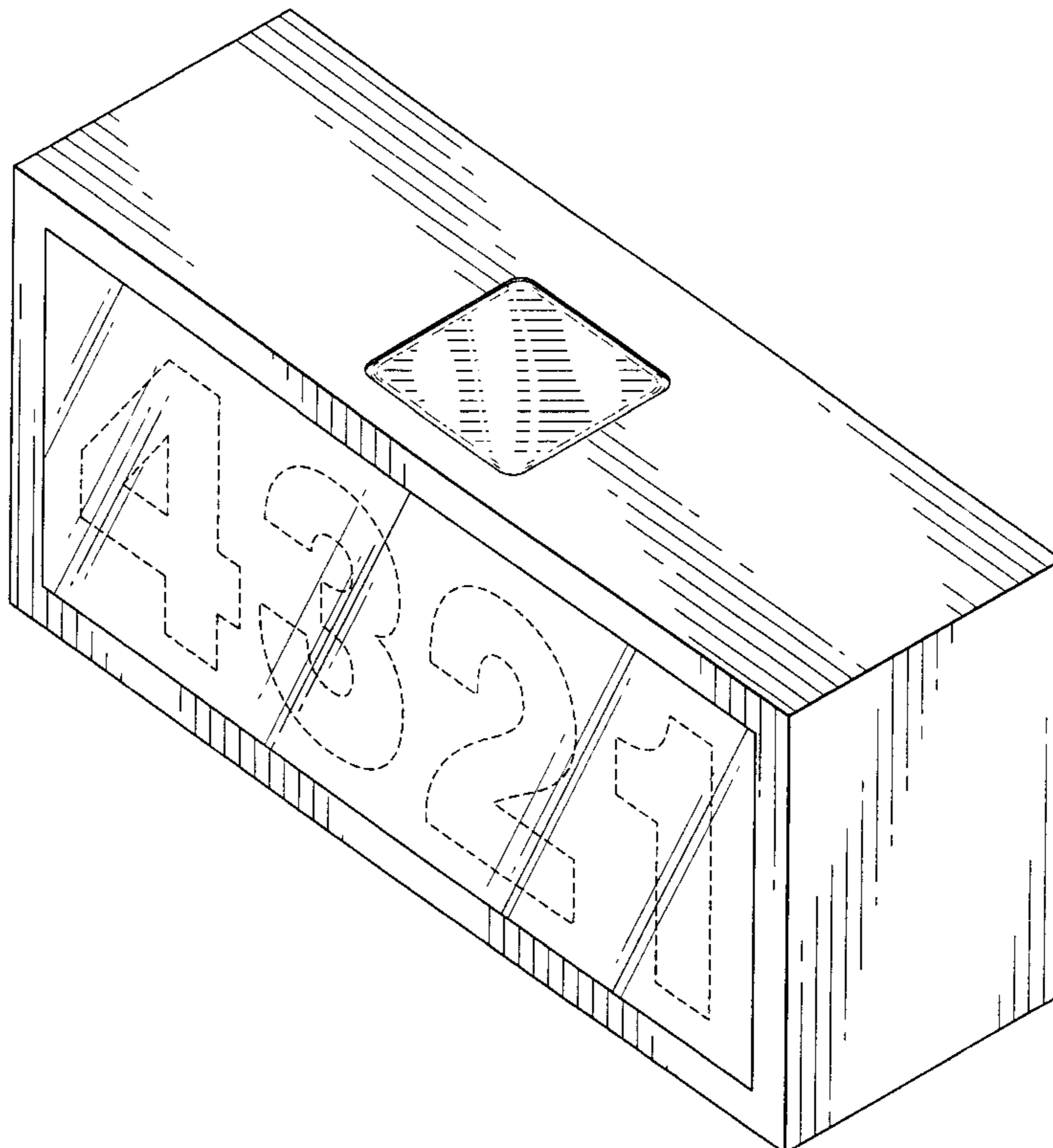
FIG. 3 is a top plan view thereof;

FIG. 4 is a front elevational view thereof, the broken lines showing numeric indicia on the translucent front panel being for illustrative purposes only and forming no part of the claimed invention;

FIG. 5 is a right side elevational view thereof, the left side being a mirror image; and,

FIG. 6 is a bottom view thereof, the broken lines showing a mounting opening being for illustrative purposes only and forming no part of the claimed invention.

1 Claim, 2 Drawing Sheets



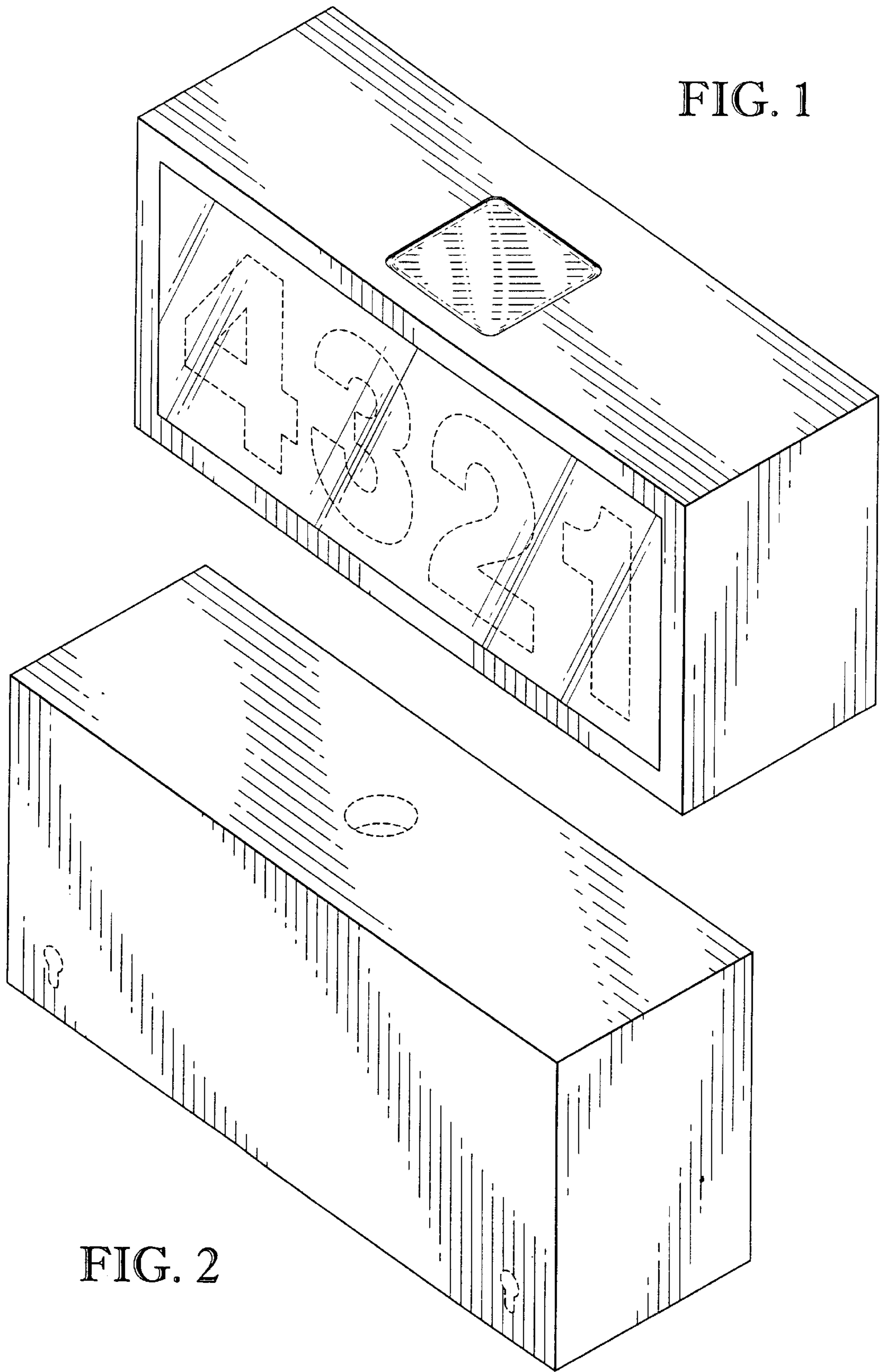


FIG. 1

FIG. 2

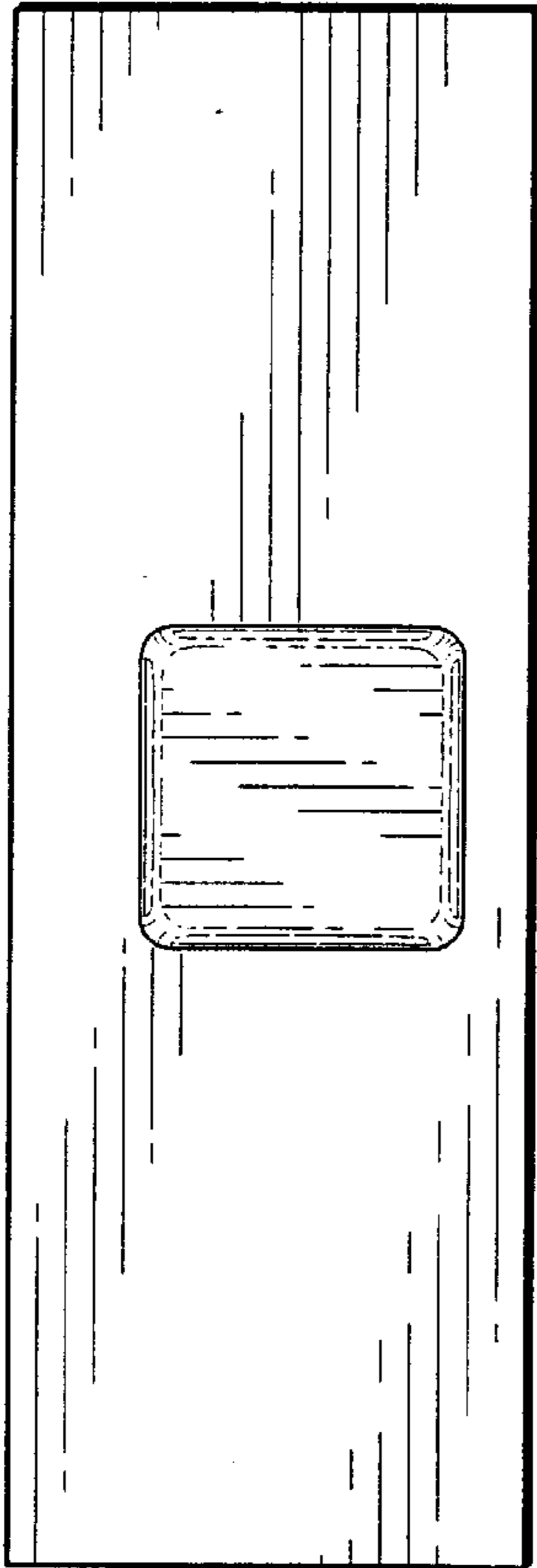


FIG. 3

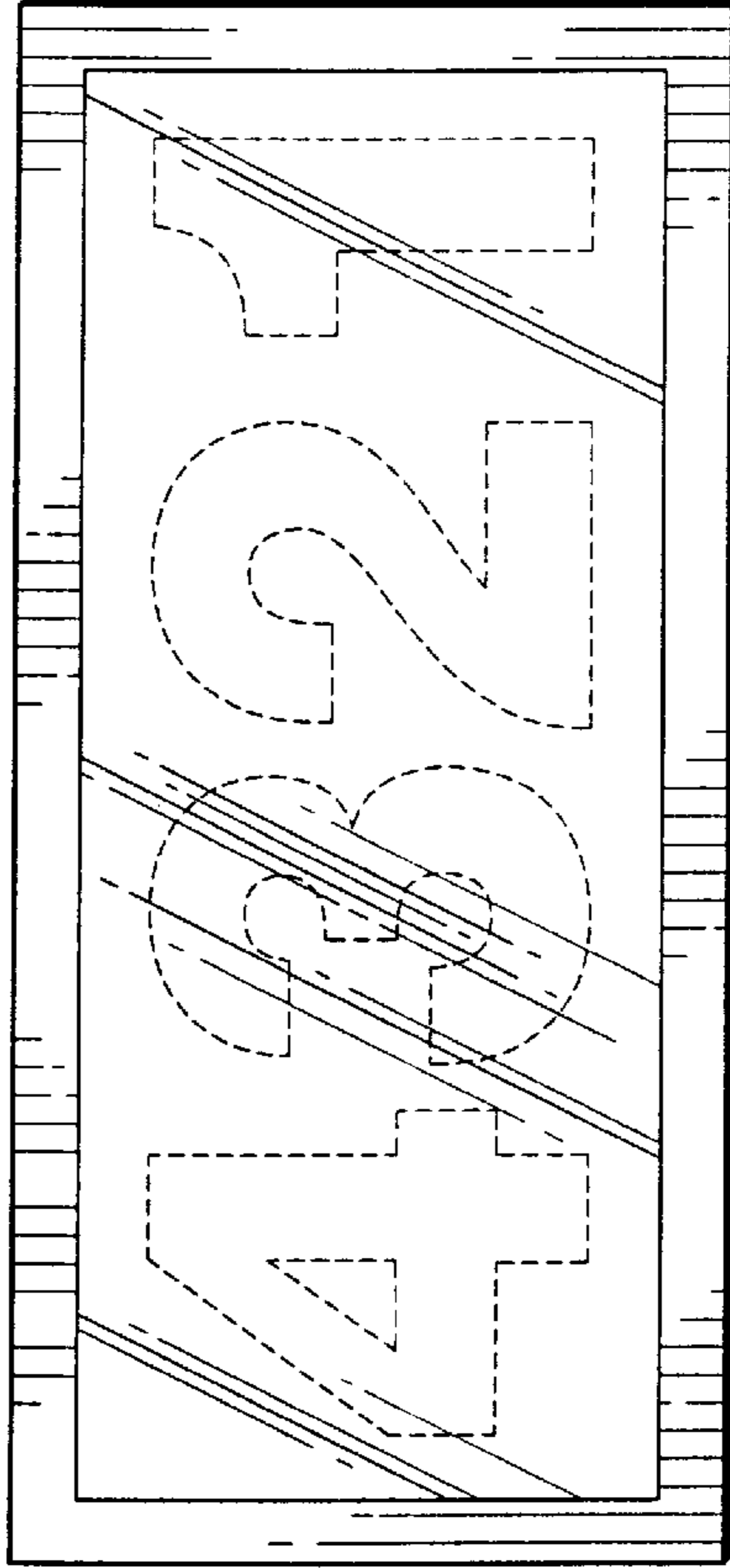


FIG. 4

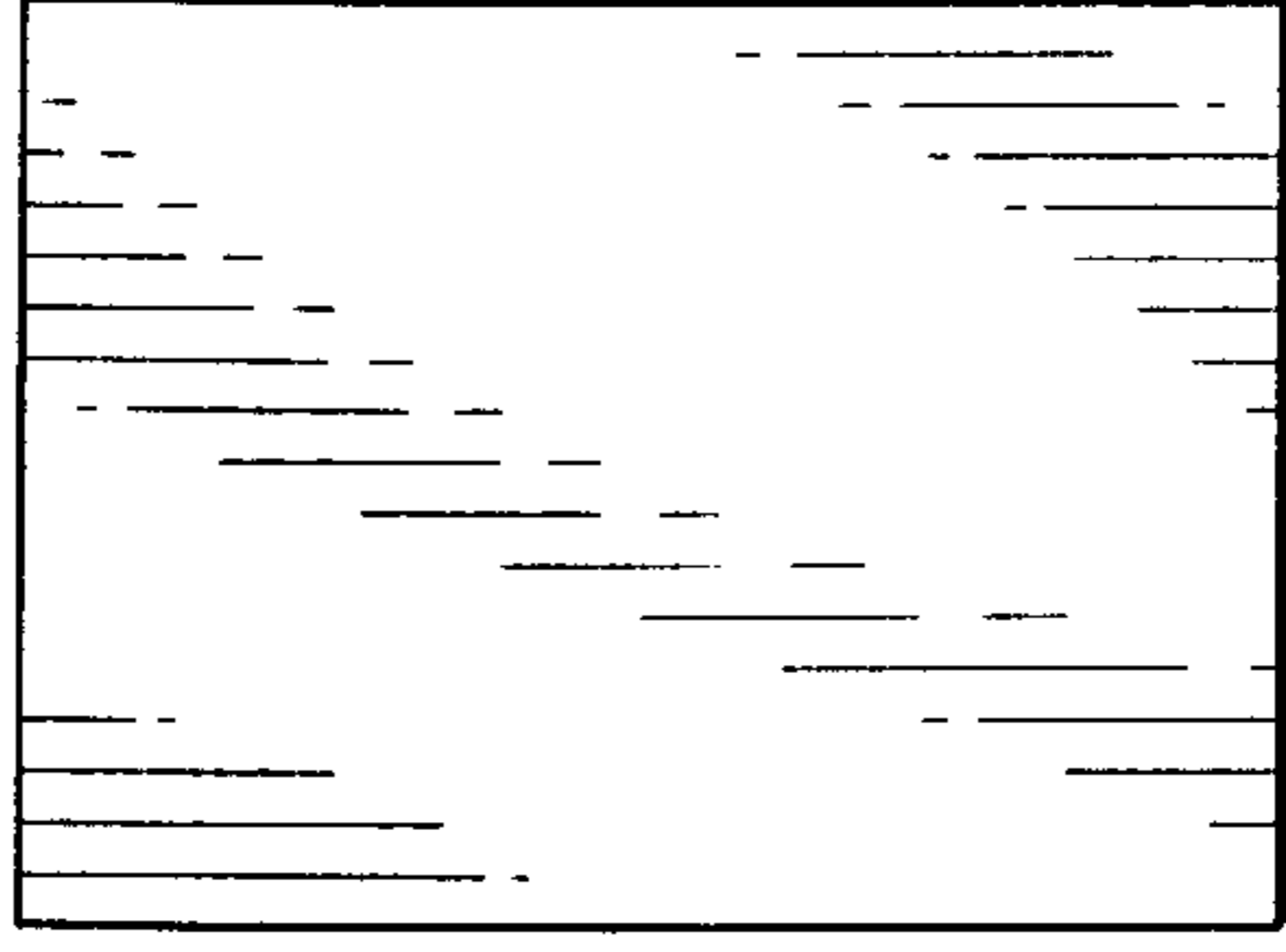


FIG. 5

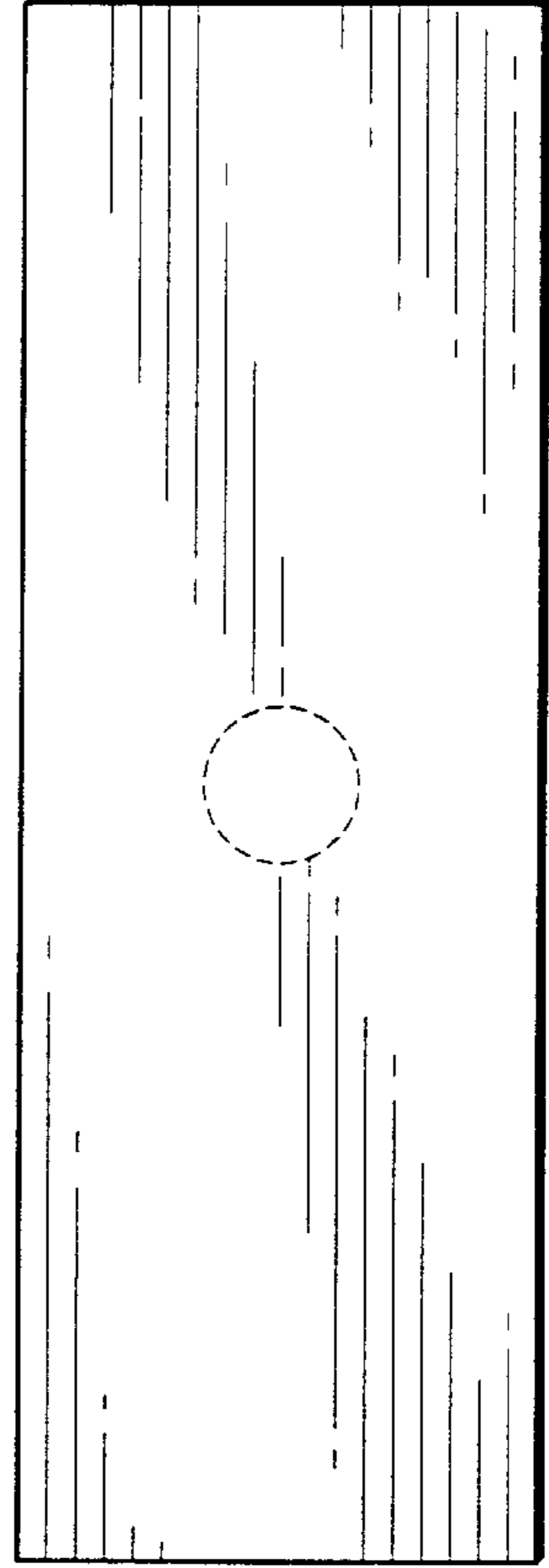


FIG. 6