



US00D476037S

(12) **United States Design Patent**
Kolls et al.

(10) **Patent No.:** **US D476,037 S**

(45) **Date of Patent:** **** Jun. 17, 2003**

(54) **USER INTERFACE BRACKET FOR A POINT OF SALE TERMINAL**

(75) Inventors: **H. Brock Kolls**, Pottstown, PA (US);
Stephen Luce, Media, PA (US); **Barry J. Patrizzi**, Cherry Hill, NJ (US)

(73) Assignee: **USA Technologies, Inc.**, Wayne, PA (US)

(**) Term: **14 Years**

(21) Appl. No.: **29/160,162**

(22) Filed: **May 6, 2002**

Related U.S. Application Data

(63) Continuation-in-part of application No. 29/147,767, filed on Sep. 5, 2001.

(51) **LOC (7) Cl.** **20-01**

(52) **U.S. Cl.** **D20/8**

(58) **Field of Search** D20/8, 9; D99/34; 194/200, 205, 206, 344, 350; 221/92, 96, 97; 700/244; D18/4.1-4.6, 12; 235/379, 449, 380; 226/12, 91; 242/417.3, 538.1, 563, 563.2; 400/73, 82, 88, 578, 613, 621

(56) **References Cited**

U.S. PATENT DOCUMENTS

D288,377 S * 2/1987 Kobayashi et al. D20/9
5,318,164 A * 6/1994 Barnes et al. 194/200
5,377,805 A * 1/1995 Ono et al. 194/206
D359,765 S * 6/1995 Izawa D20/9
5,462,150 A * 10/1995 Chang 194/206

5,635,696 A * 6/1997 Dabrowski 235/449
5,791,449 A * 8/1998 Deaville et al. 194/348
D404,075 S * 1/1999 Hatamachi et al. D20/8
D441,797 S * 5/2001 Irie D20/9
6,283,268 B1 * 9/2001 Fletcher et al. 194/344
D450,907 S * 11/2001 Chou D99/34

* cited by examiner

Primary Examiner—Caron D. Veynar

(74) *Attorney, Agent, or Firm*—H. Brock Kolls

(57) **CLAIM**

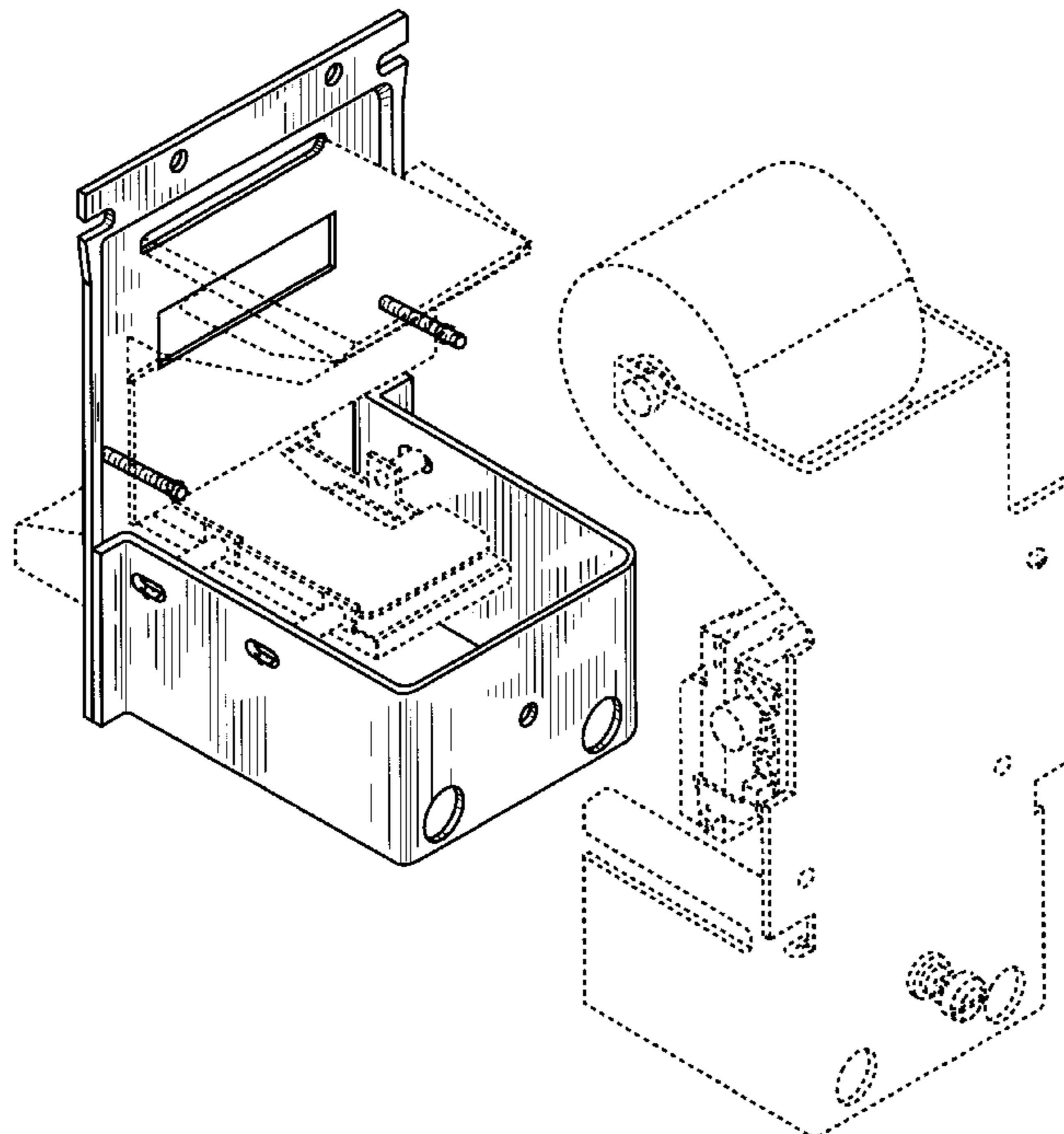
The ornamental design for a user interface bracket for a point of sale terminal, as shown and described.

DESCRIPTION

FIG. 1 is a right side perspective view of the user interface bracket for a point of sale terminal;
FIG. 2 is a front side plan view of the user interface bracket for a point of sale terminal;
FIG. 3 is a right side plan view of the user interface bracket for a point of sale terminal;
FIG. 4 is a back side plan view of the user interface bracket for a point of sale terminal;
FIG. 5 is a left side plan view of the user interface bracket for a point of sale terminal;
FIG. 6 is a top side plan view of the user interface bracket for a point of sale terminal; and,
FIG. 7 is a bottom side plan view of the user interface bracket for a point of sale terminal.

The broken lines shown on FIG. 1 are for illustrative purposes only and form no part of the claimed design.

1 Claim, 6 Drawing Sheets



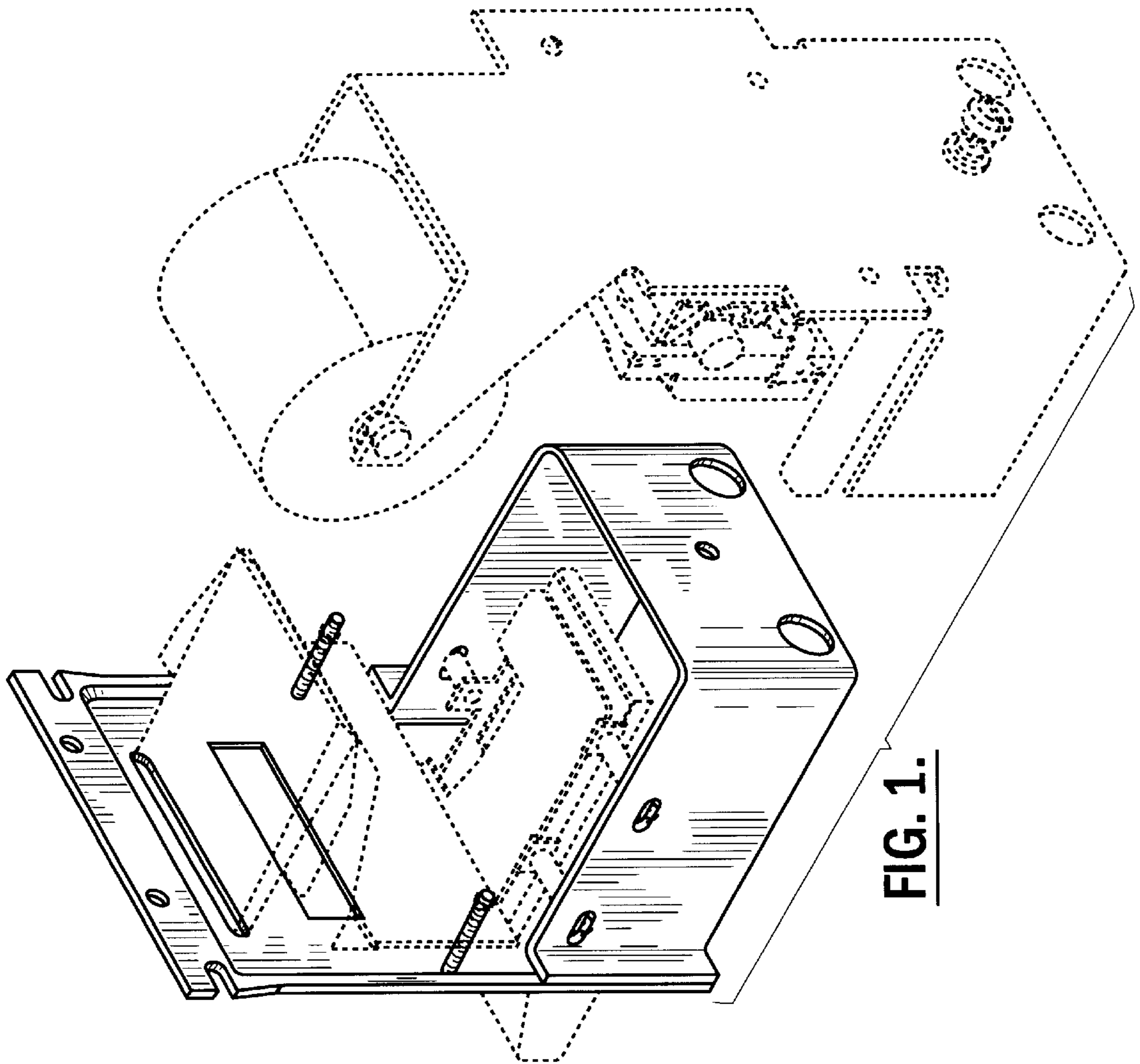


FIG. 1.

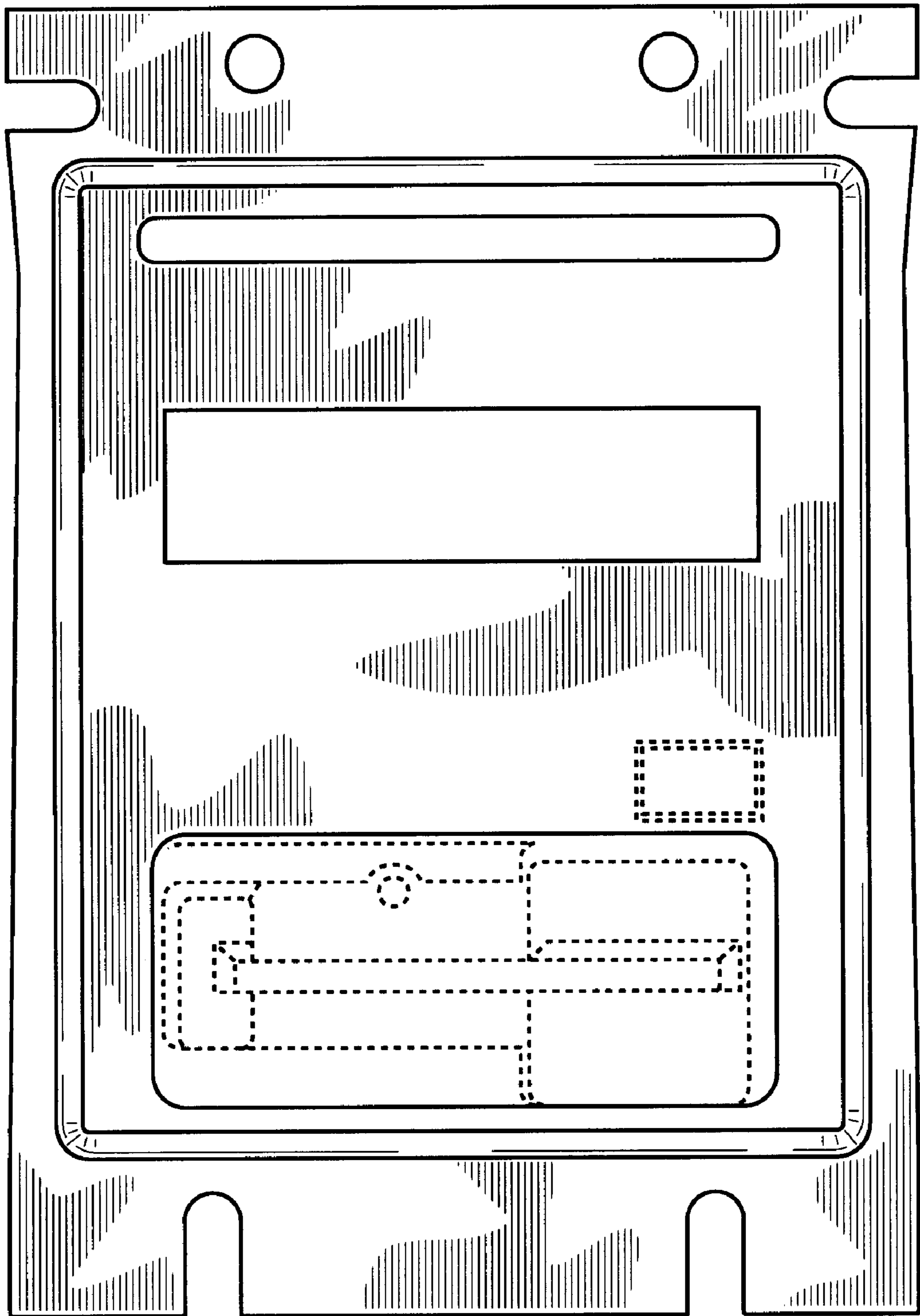


FIG. 2.

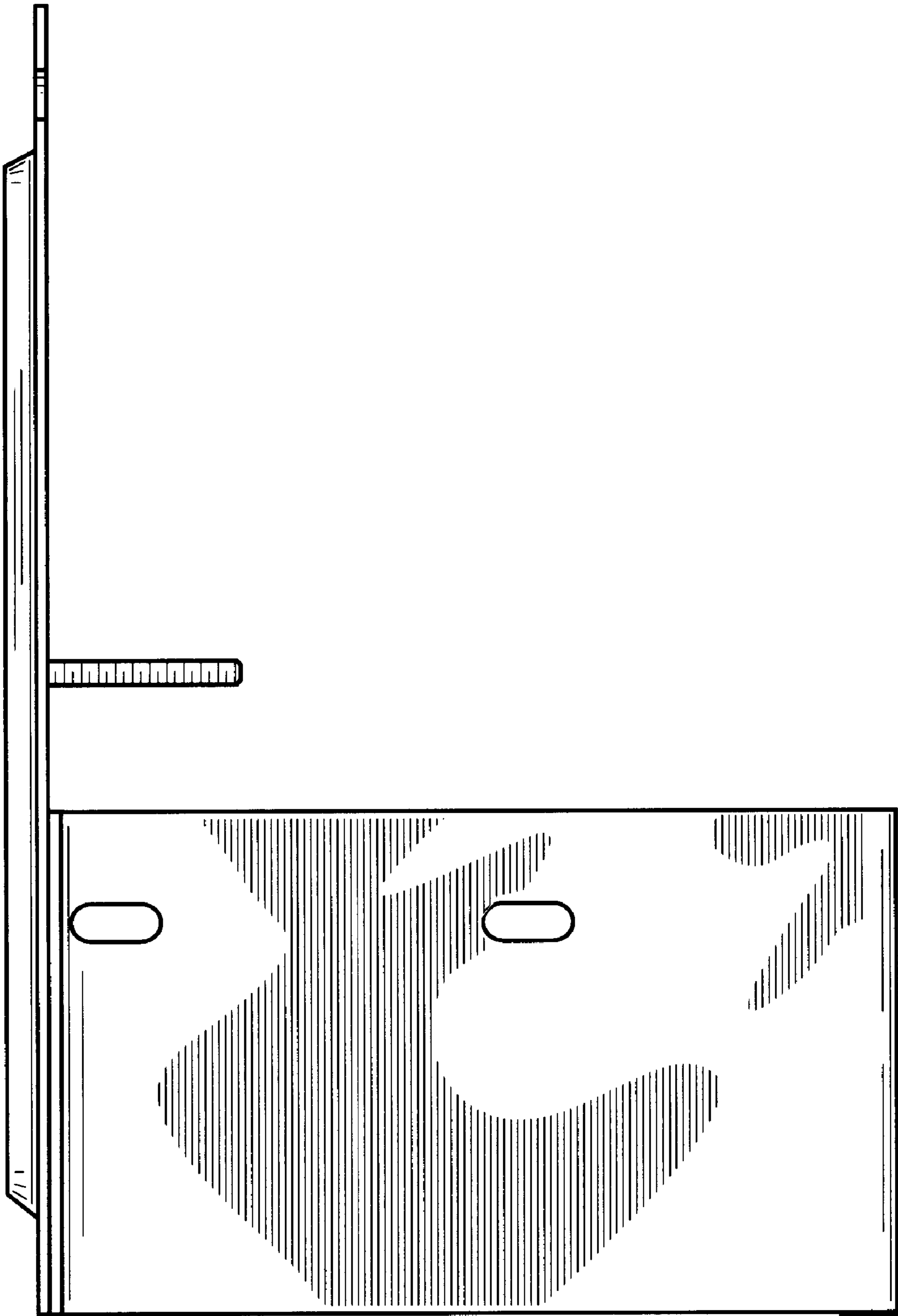


FIG. 3.

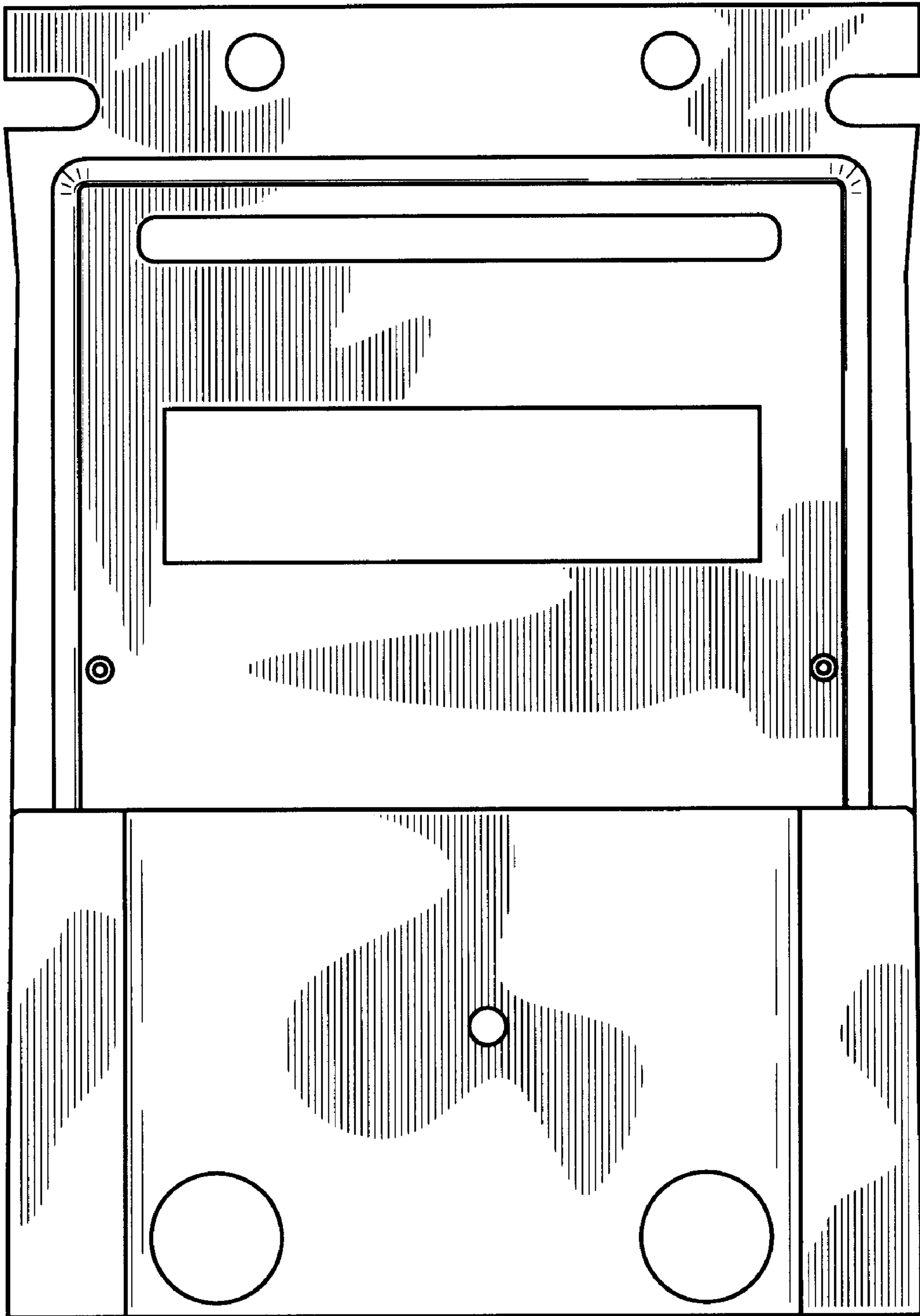


FIG. 4.

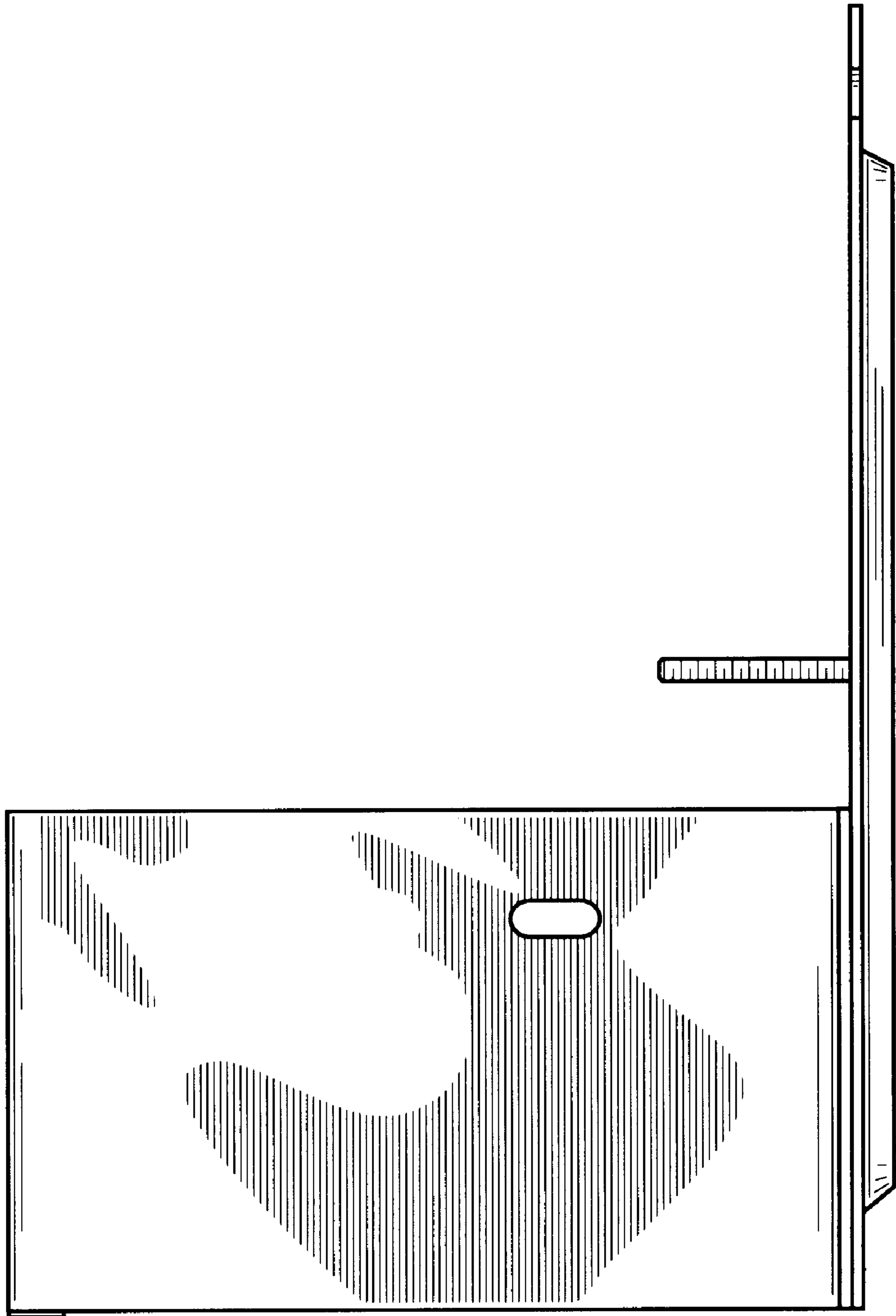


FIG. 5.

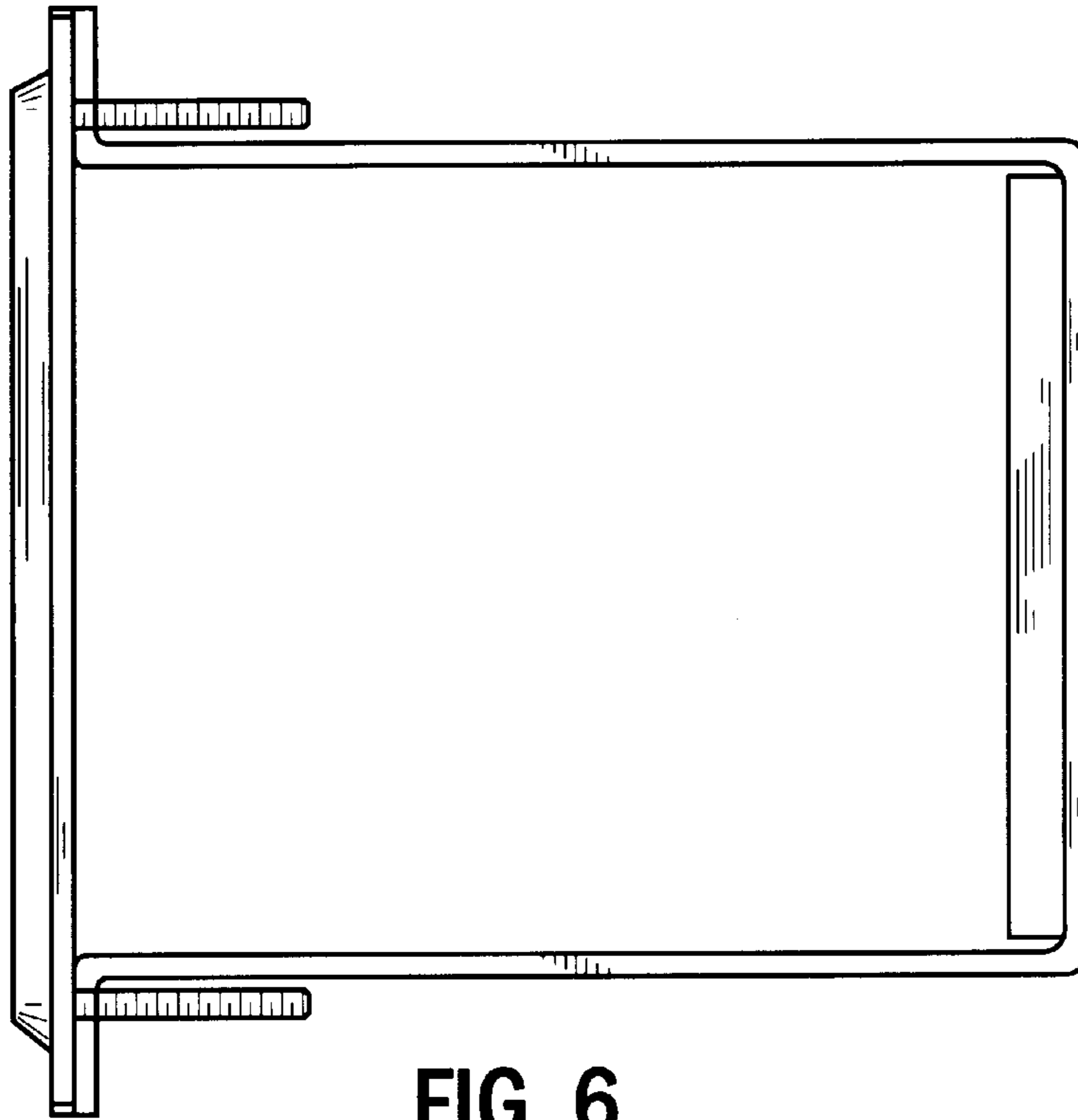


FIG. 6.

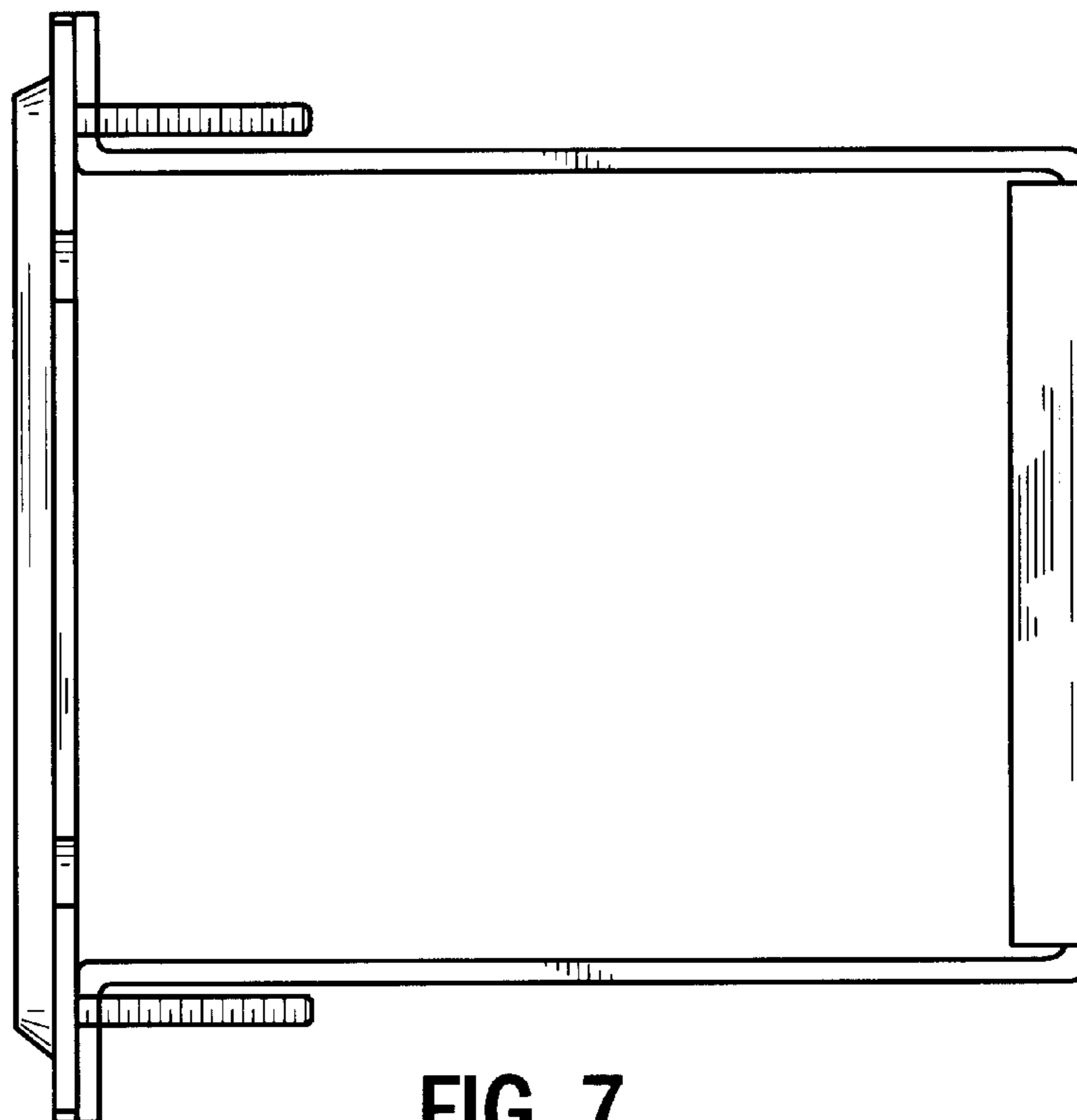


FIG. 7.