



US00D476035S

(12) **United States Design Patent**
Katami

(10) **Patent No.:** **US D476,035 S**

(45) **Date of Patent:** **** Jun. 17, 2003**

(54) **TAPE DISPENSER**

(75) **Inventor:** **Kazunori Katami, Saitama-ken (JP)**

(73) **Assignee:** **Tombow Pencil Co., Ltd., Tokyo (JP)**

(**) **Term:** **14 Years**

(21) **Appl. No.:** **29/162,703**

(22) **Filed:** **Jun. 20, 2002**

(30) **Foreign Application Priority Data**

Dec. 20, 2001 (JP) 2001-037395

(51) **LOC (7) Cl.** **19-02**

(52) **U.S. Cl.** **D19/69; D19/67**

(58) **Field of Search** D19/53, 65, 66,
D19/67-69, 72, 89, 99, 100; 225/6, 7, 11,
12, 19, 22, 25, 34, 35, 46, 56, 57, 77, 89;
242/588, 588.1-588.6, 590, 538, 538.1;
156/510, 327, 523, 540, 527, 577, 579;
15/104.93, 104.94

(56) **References Cited**

U.S. PATENT DOCUMENTS

D368,115 S * 3/1996 Kouda D19/69
5,556,469 A * 9/1996 Koyama et al. 156/579 X
5,595,626 A * 1/1997 Yokouchi et al. 156/577
5,670,014 A * 9/1997 Mendelovich et al. 156/523

5,759,270 A * 6/1998 Lee 242/538.1 X
5,759,341 A * 6/1998 Kobayashi 156/540
5,795,085 A * 8/1998 Yoo 156/577 X
D421,059 S * 2/2000 Shimizu D19/69
D421,461 S * 3/2000 Kelders et al. D19/69
D424,116 S * 5/2000 You D19/69
D467,280 S * 12/2002 Van Zuthem-Maasdam
et al. D19/66

* cited by examiner

Primary Examiner—Martie K. Holtje

(74) *Attorney, Agent, or Firm*—Birch, Stewart, Kolasch & Birch, LLP

(57) **CLAIM**

The ornamental design for a tape dispenser, as shown and described.

DESCRIPTION

FIG. 1 is a front view of the tape dispenser showing my new design;
FIG. 2 is a right side view thereof;
FIG. 3 is a left side view thereof;
FIG. 4 is a rear view thereof;
FIG. 5 is a top view thereof;
FIG. 6 is a bottom view thereof; and,
FIG. 7 is a perspective view thereof.

1 Claim, 2 Drawing Sheets

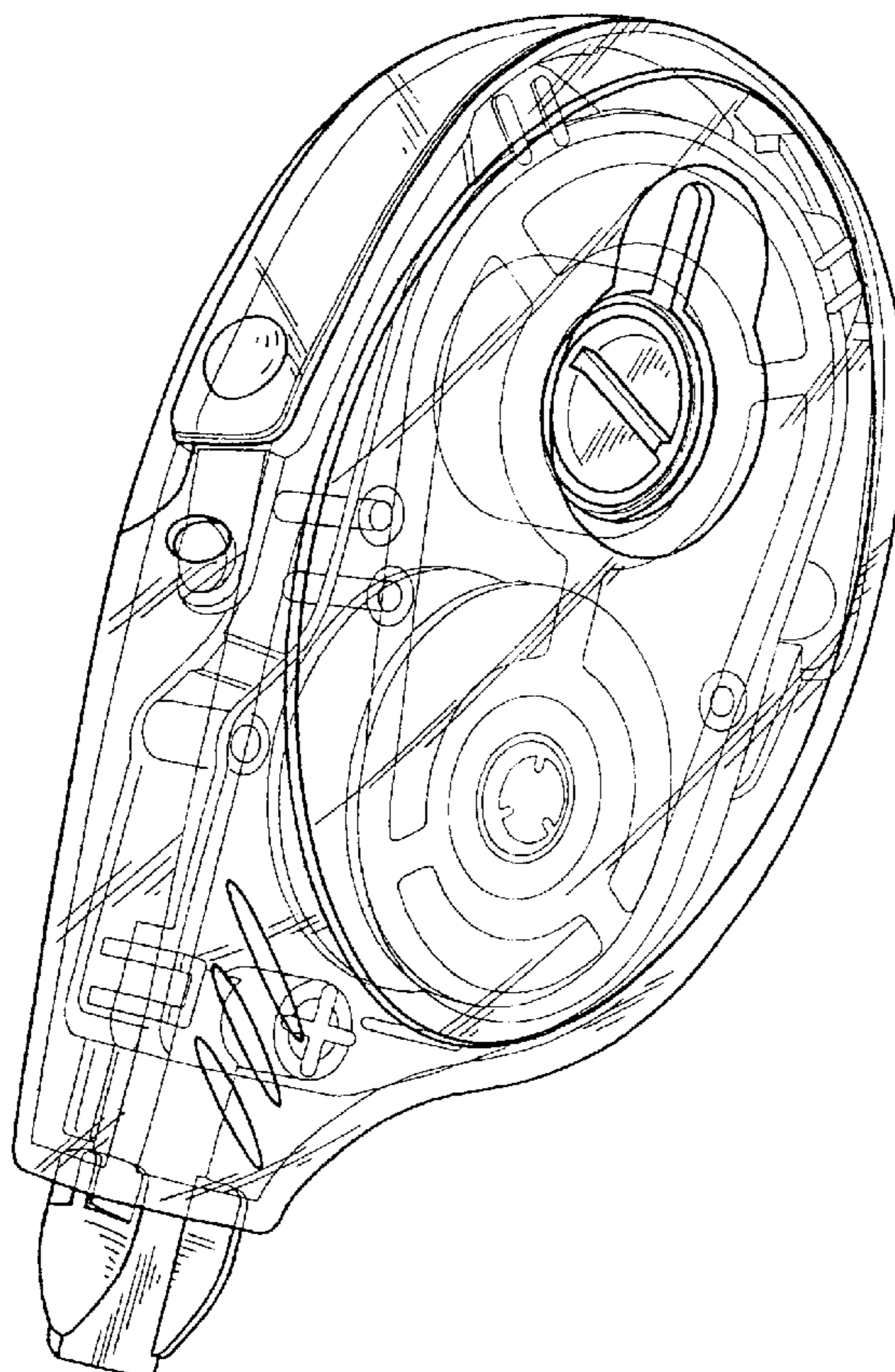


Fig. 5

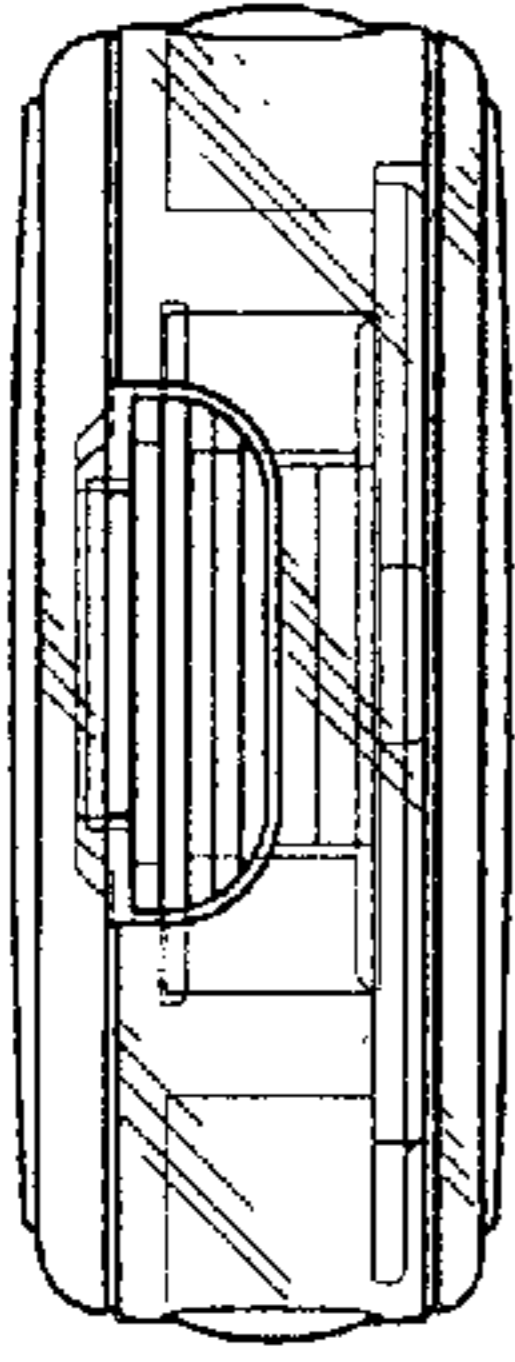


Fig. 4

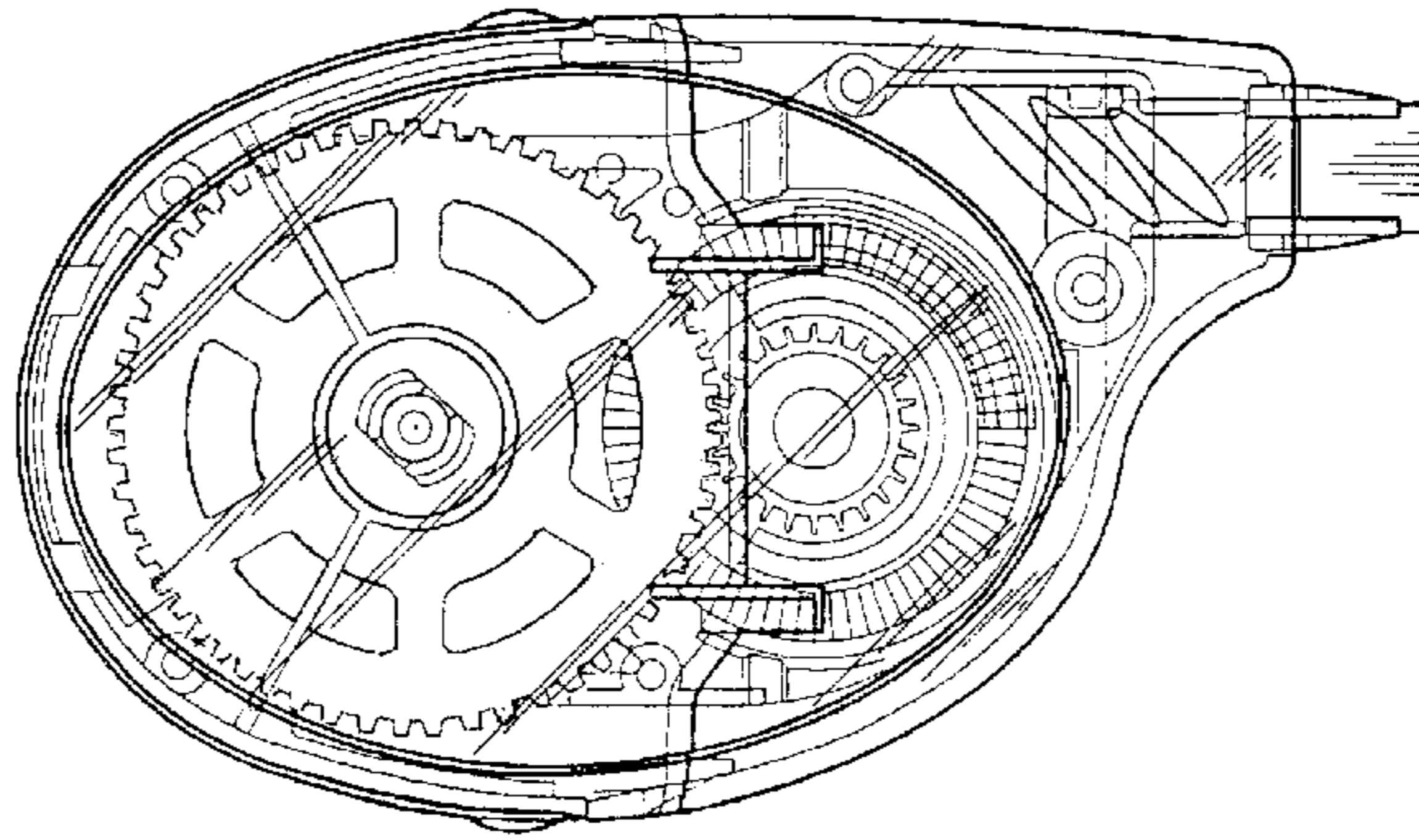


Fig. 3

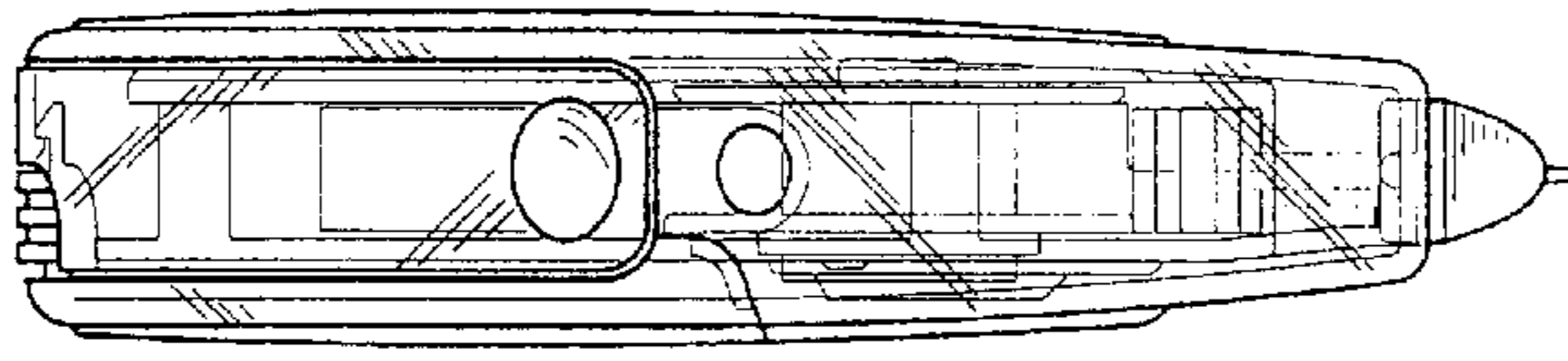


Fig. 1

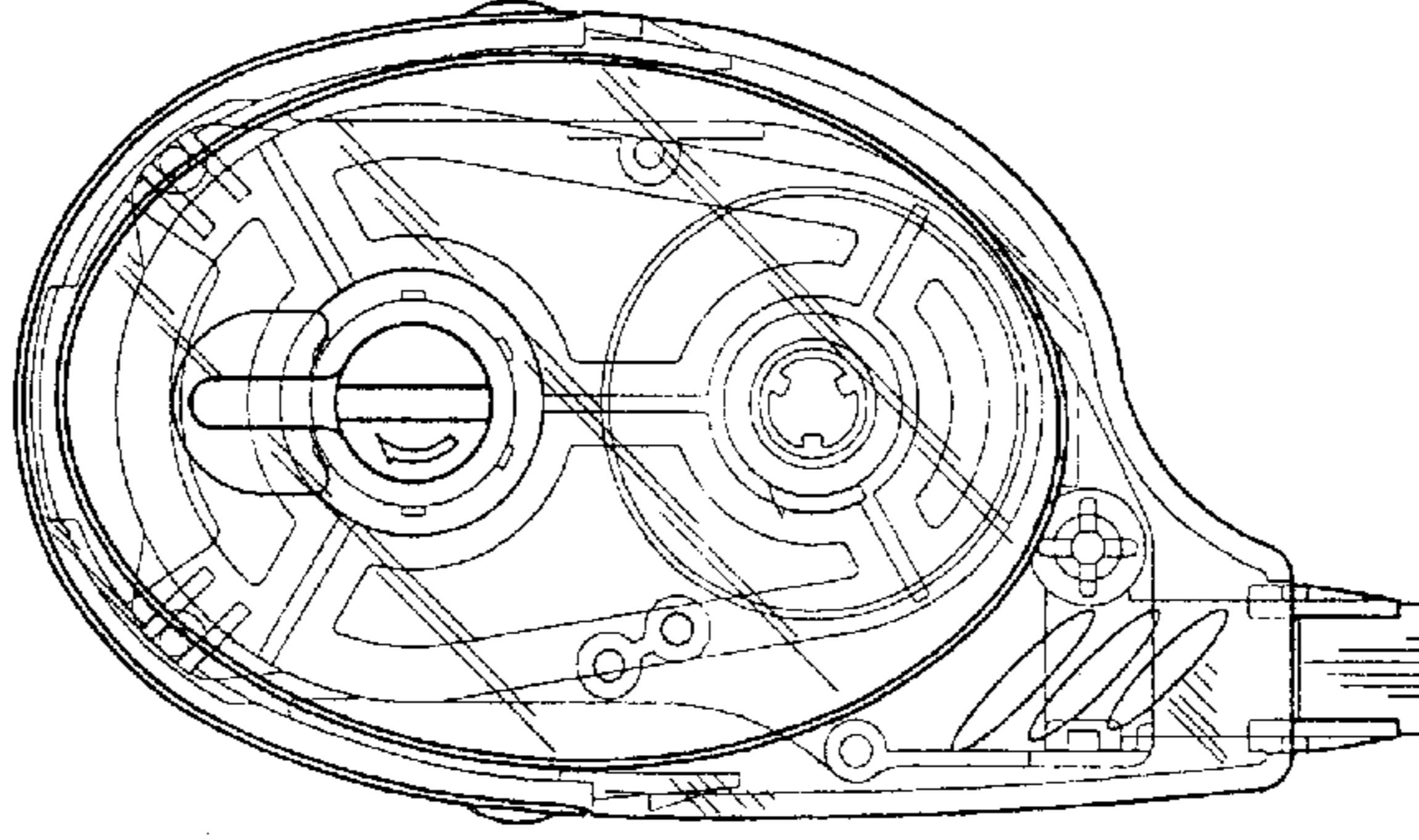


Fig. 2

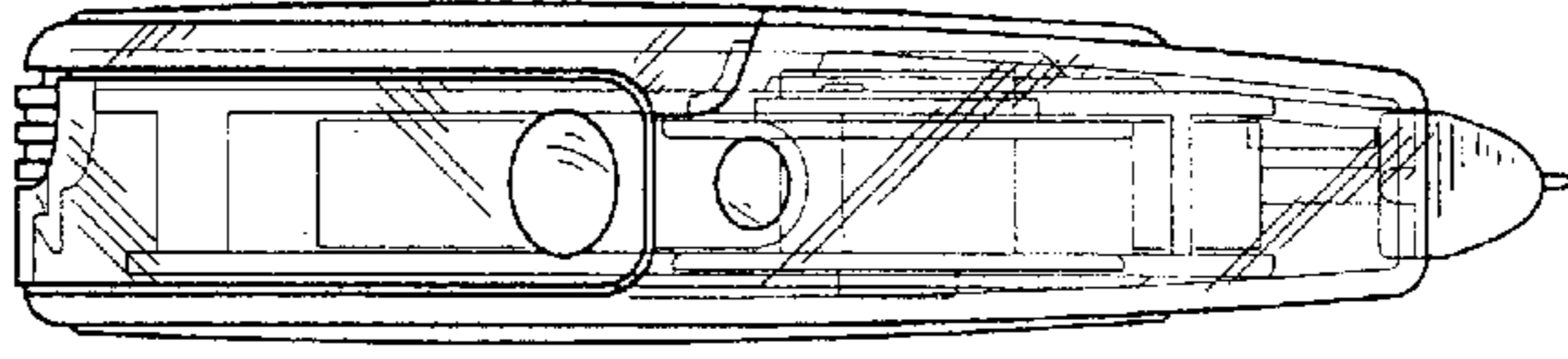


Fig. 6

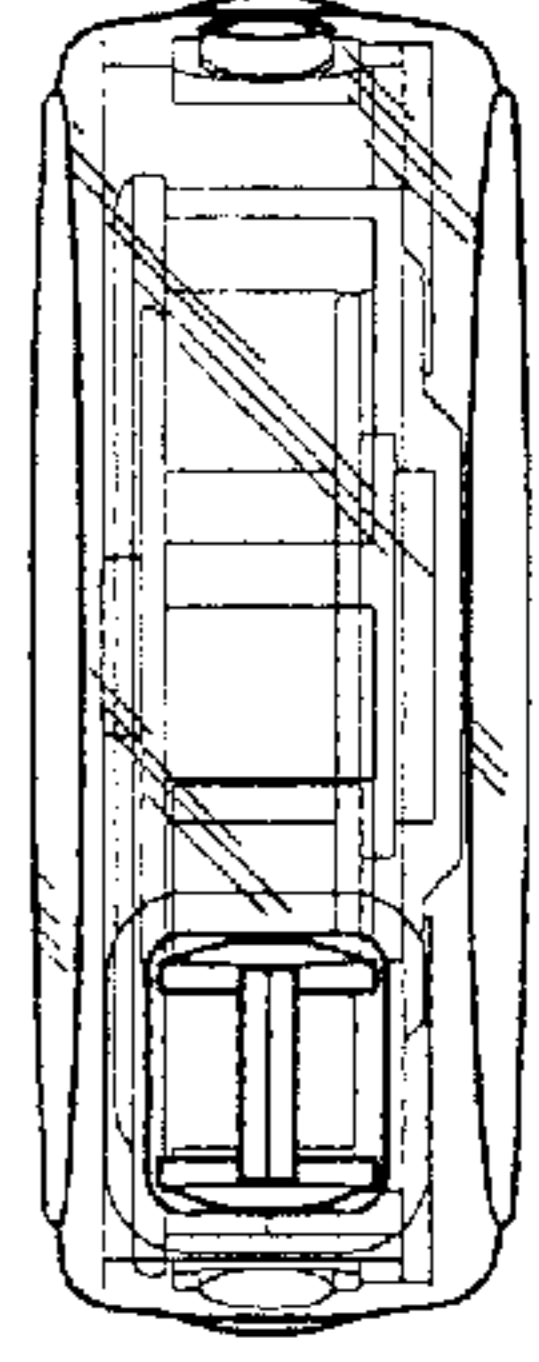


Fig. 7

