



US00D476033S

(12) **United States Design Patent**
Bain

(10) **Patent No.:** **US D476,033 S**

(45) **Date of Patent:** **** Jun. 17, 2003**

(54) **WRITING INSTRUMENT**

(75) Inventor: **Charles E. Bain**, West Dundee, IL (US)

(73) Assignee: **Berol Corporation**, Freeport, IL (US)

(**) Term: **14 Years**

(21) Appl. No.: **29/165,839**

(22) Filed: **Aug. 16, 2002**

(51) **LOC (7) Cl.** **19-06**

(52) **U.S. Cl.** **D19/51; D19/56**

(58) **Field of Search** D19/35, 36, 41-51,
D19/53-58, 81-85; 401/6, 7, 88, 99, 100,
101, 103-106, 107-110, 111-117

(56) **References Cited**

U.S. PATENT DOCUMENTS

D93,133 S	*	8/1934	Robbins	D19/51
D200,560 S	*	3/1965	Rhoades	D19/51
D206,636 S	*	1/1967	Zierhut et al.	D19/51
D323,189 S		1/1992	Tu	D19/48
D338,039 S		8/1993	Takahashi	D19/51
D341,851 S	*	11/1993	Bulgari	D19/51
D366,498 S		1/1996	Abe et al.	D19/51
D389,866 S		1/1998	Boix Gacia	D19/51
D392,317 S		3/1998	Ruffer	D19/51
D395,448 S		6/1998	Chevalier	D19/51
D396,729 S		8/1998	Ham	D19/48
D396,857 S	*	8/1998	Ito	D19/50
D401,967 S	*	12/1998	Tam	D19/36
D407,436 S		3/1999	Chevalier et al.	D19/43
D409,658 S		5/1999	Chevalier et al.	D19/51
D413,145 S	*	8/1999	Brescia et al.	D19/51
D416,941 S		11/1999	Chevalier et al.	D19/51
D417,891 S	*	12/1999	Izushima	D19/48
D438,246 S		2/2001	Hollington et al.	D19/51
D439,277 S		3/2001	Rosenbaum	D19/55
D444,815 S	*	7/2001	Izushima	D19/51

D445,826 S		7/2001	Baudino et al.	D19/43
D445,827 S		7/2001	Stropkay et al.	D19/43
D449,650 S		10/2001	Verhaeghe	D19/43
D451,141 S		11/2001	Subilia	D19/51
D455,174 S		4/2002	Traut et al.	D19/43
D456,042 S		4/2002	Versace	D19/50
D456,845 S	*	5/2002	Rommel	D19/49
D457,563 S		5/2002	Moon	D19/48
D458,306 S	*	6/2002	Moon	D19/51
D460,484 S		7/2002	Bianco, Jr.	D19/43

* cited by examiner

Primary Examiner—Martie K. Holtje

(74) *Attorney, Agent, or Firm*—Marshall, Gerstein & Borun

(57) **CLAIM**

The ornamental design for a “writing instrument”, as shown and described.

DESCRIPTION

FIG. 1 is a perspective view taken from the side and below showing my new design;

FIG. 2 is a front view thereof;

FIG. 3 is a left side elevational view thereof, the right side elevational view being a mirror image thereof;

FIG. 4 is a rear view thereof;

FIG. 5 is a bottom view thereof;

FIG. 6 is a plan view thereof;

FIG. 7 is a perspective view taken from the side and below of another embodiment of the present invention;

FIG. 8 is a front view of FIG. 7;

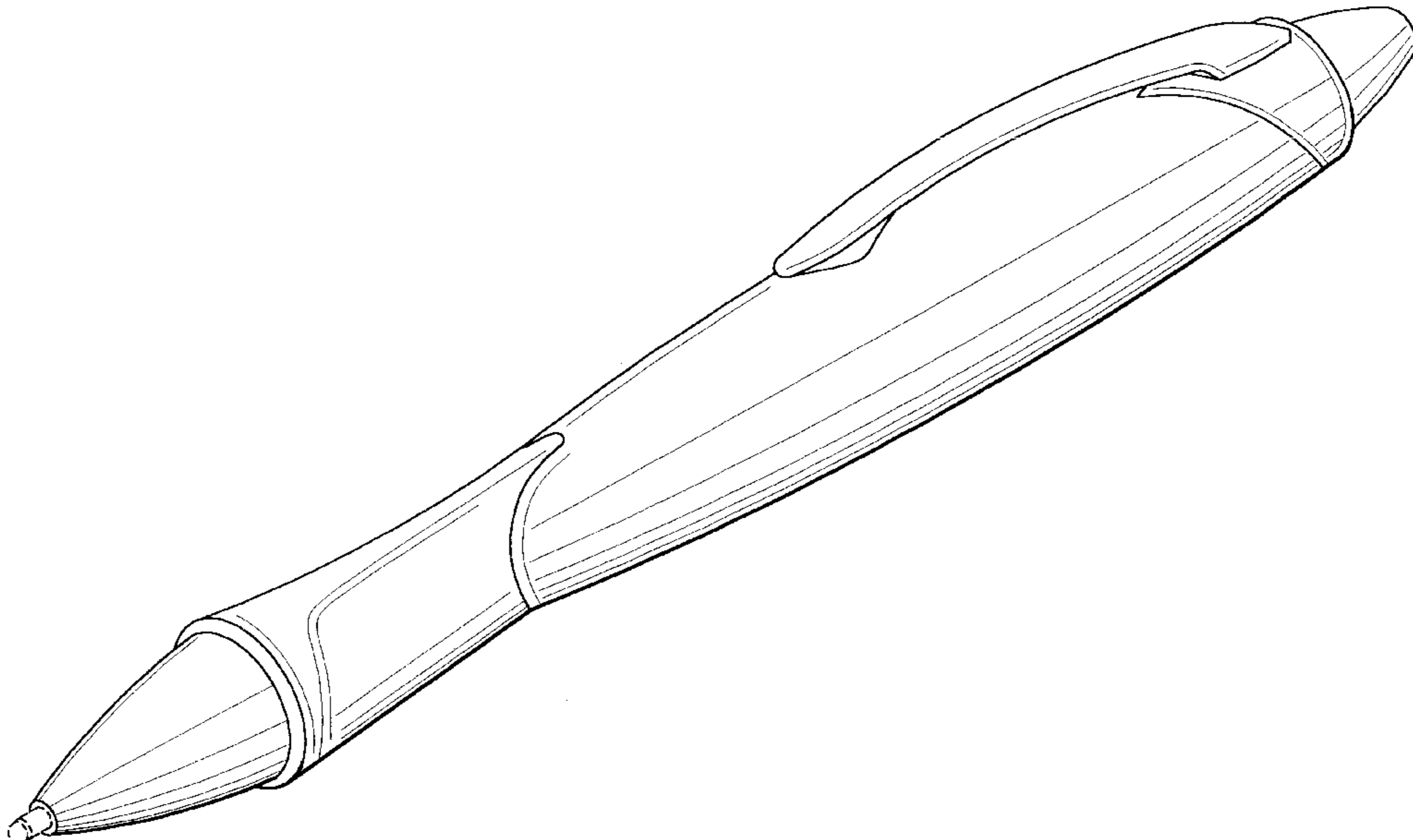
FIG. 9 is a left side elevational view of FIG. 7, the right side elevational view being a mirror image thereof;

FIG. 10 is a rear view of FIG. 7; and,

FIG. 11 is a plan view of FIG. 7.

The broken line showing of a writing tip in the figures is for illustrative purposes only and forms no part of the claimed design.

1 Claim, 6 Drawing Sheets



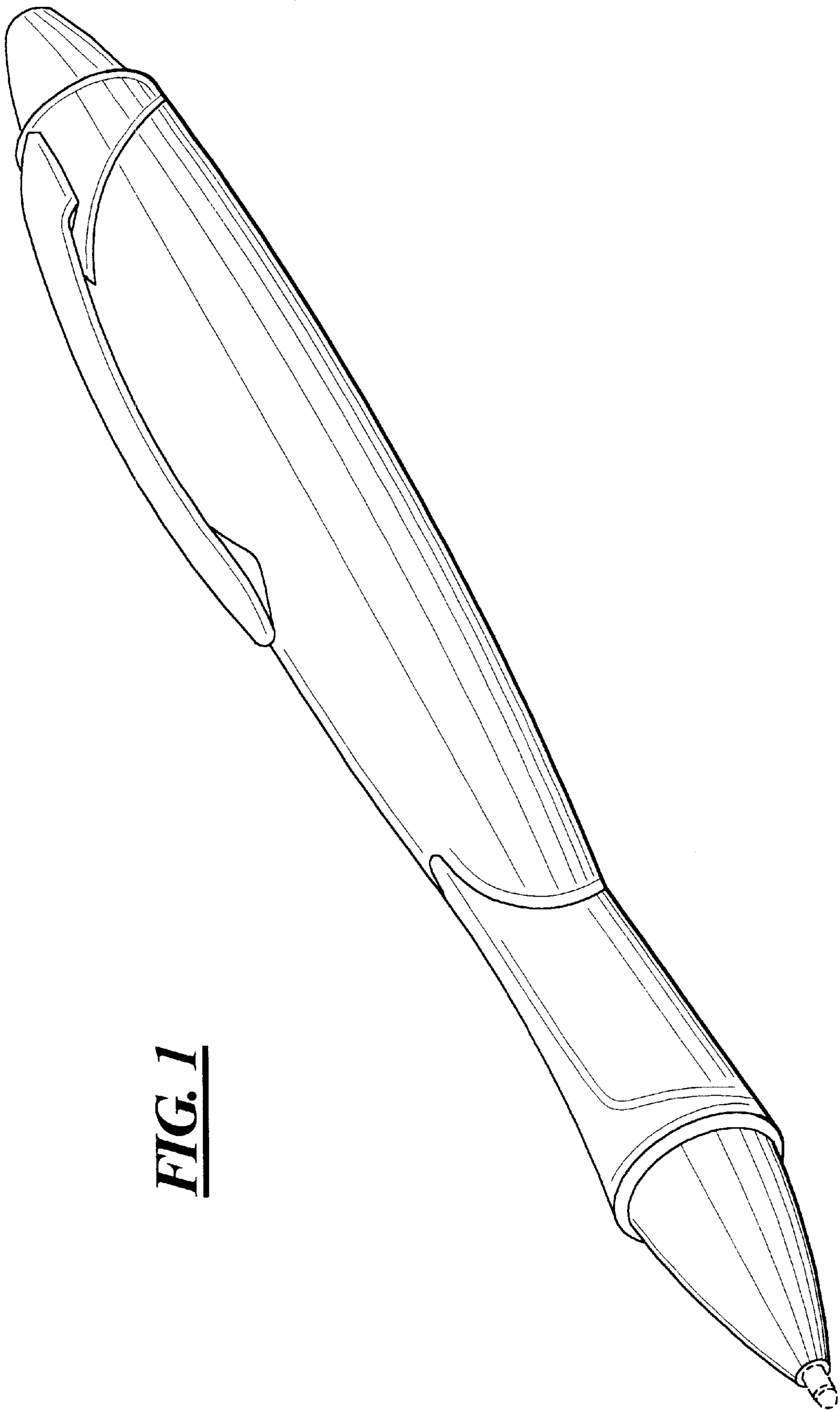


FIG. 1

FIG. 2

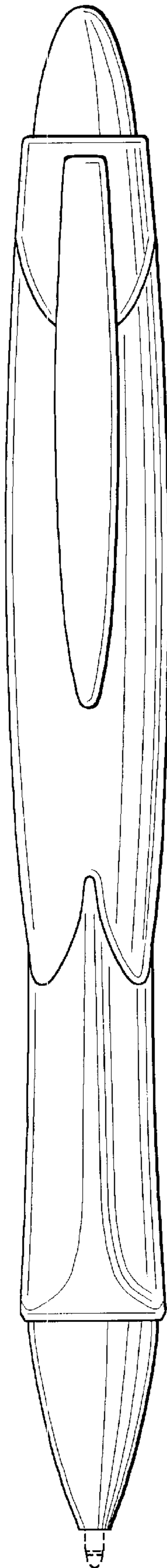
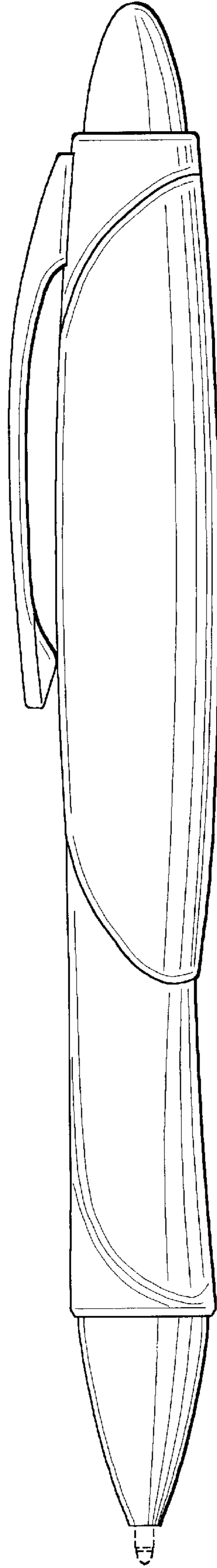


FIG. 3



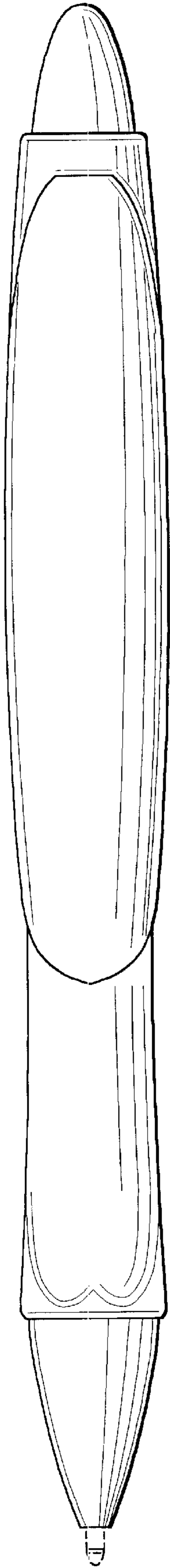


FIG. 4

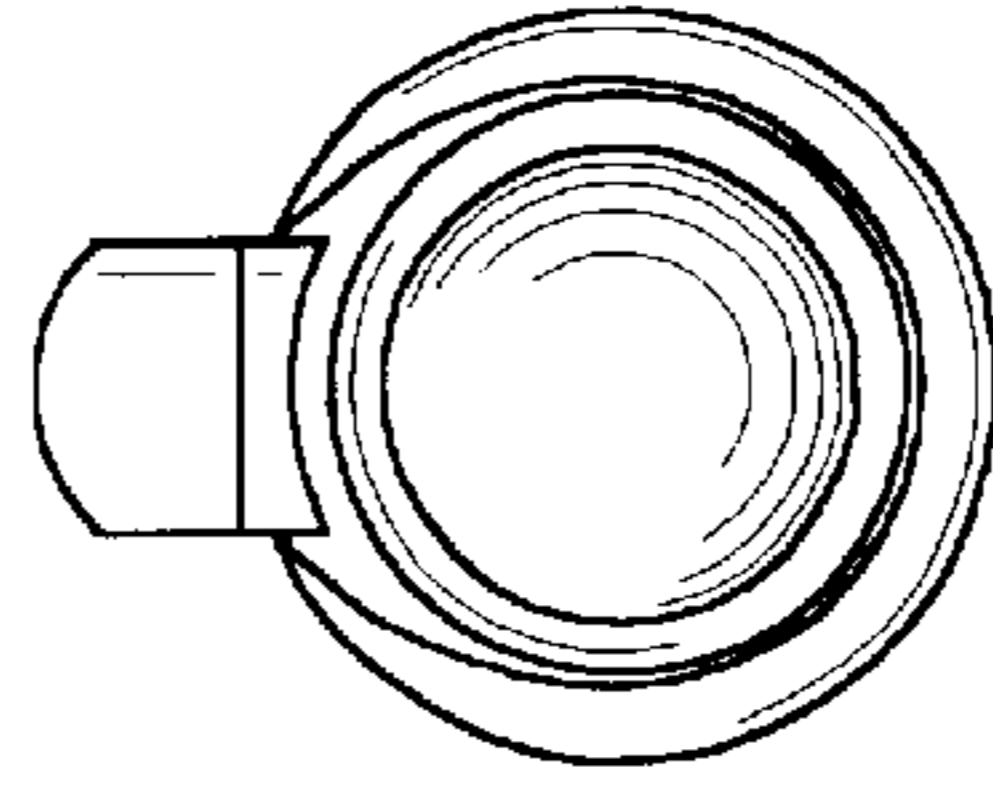


FIG. 6

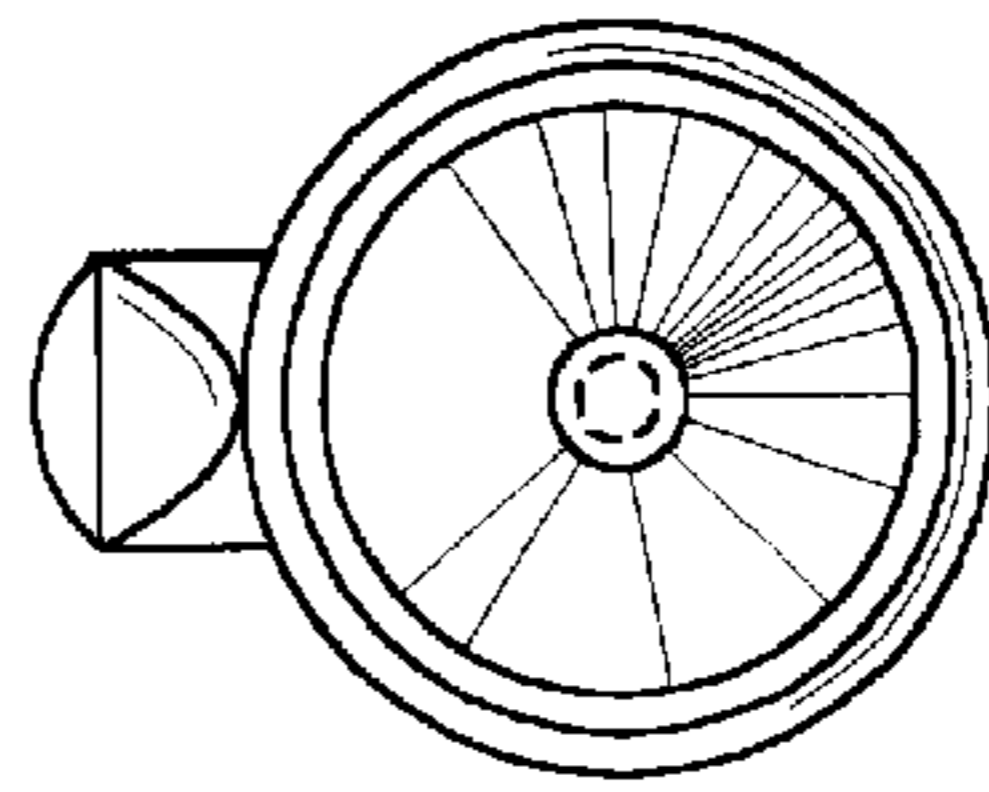


FIG. 5

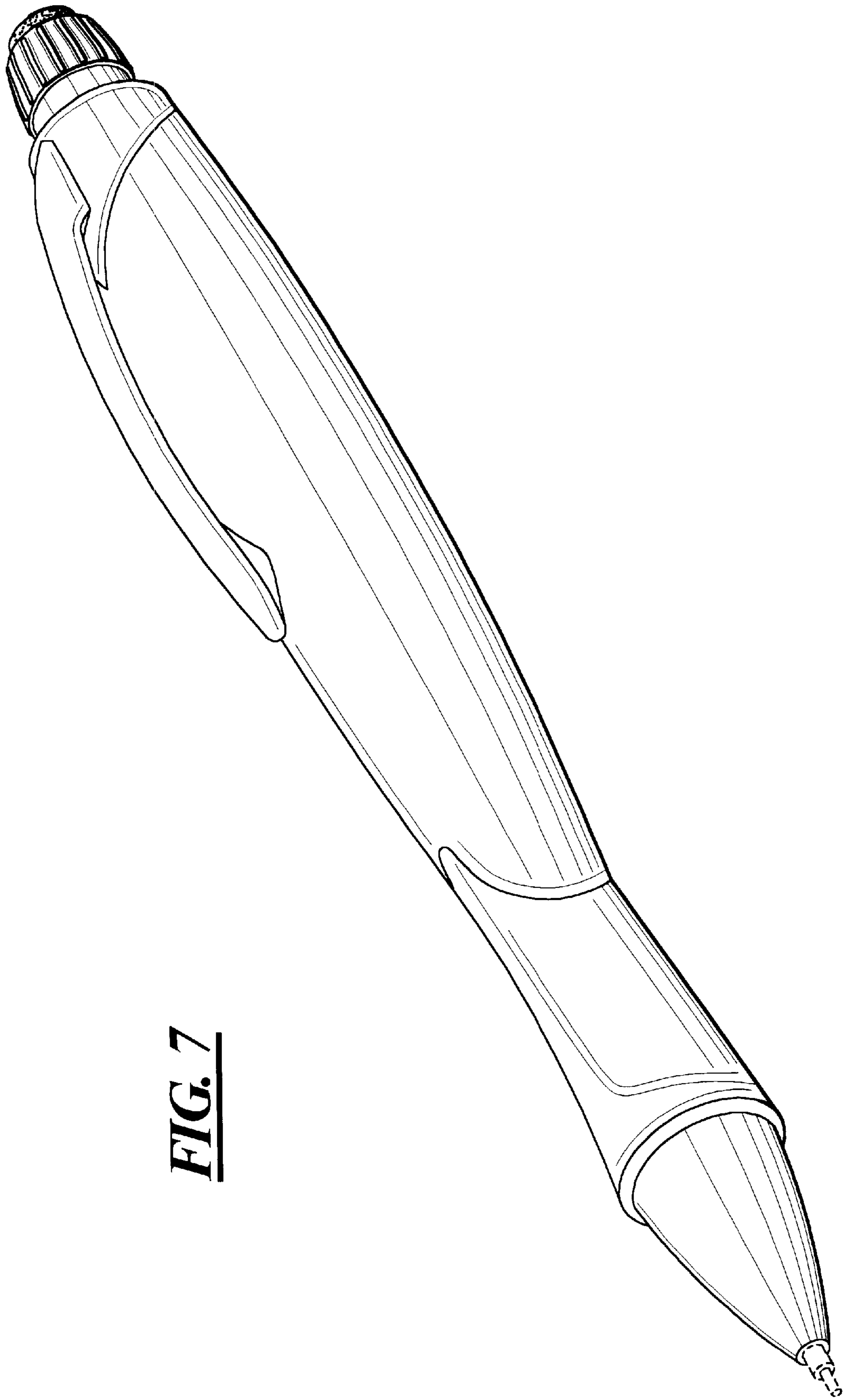


FIG. 7

FIG. 8

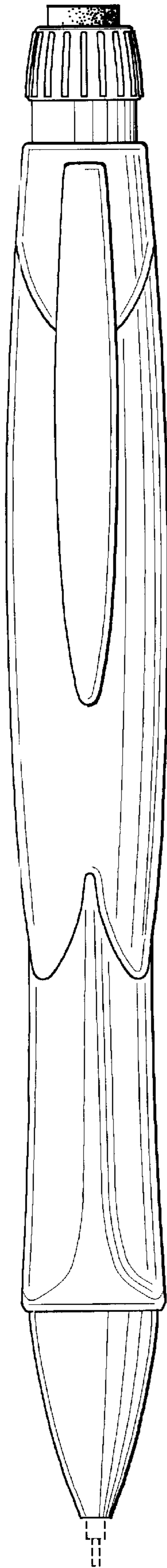


FIG. 9



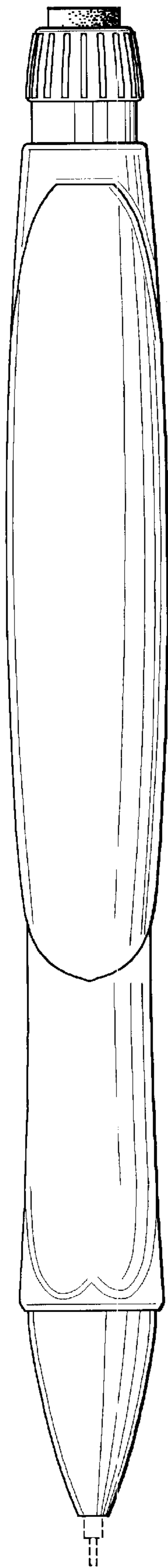


FIG. 10

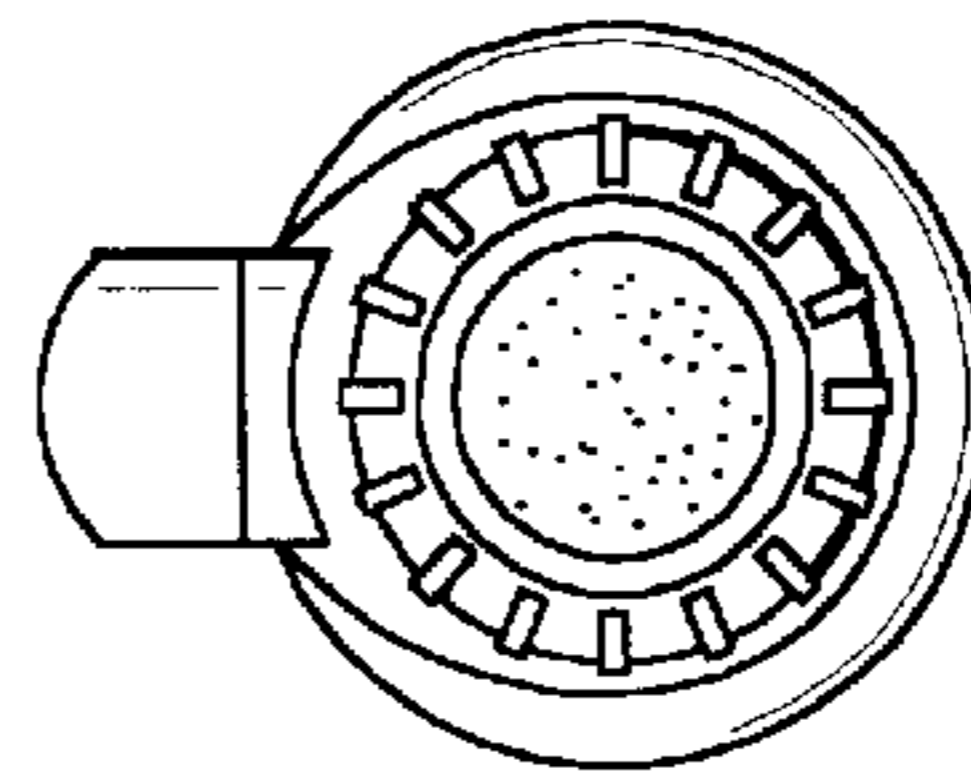


FIG. 11