



US00D476031S

(12) **United States Design Patent**  
**Hodsdon et al.**

(10) **Patent No.:** **US D476,031 S**

(45) **Date of Patent:** **\*\* Jun. 17, 2003**

(54) **LABEL SHEET**

(75) **Inventors:** **Jerry G. Hodsdon**, Forestdale, MA (US); **Chase Tyler Thompson**, East Palo Alto, CA (US); **Charles Richard Lewis, Jr.**, Palo Alto, CA (US)

(73) **Assignee:** **Avery Dennison Corporation**, Pasadena, CA (US)

(\*\*) **Term:** **14 Years**

(21) **Appl. No.:** **29/151,572**

(22) **Filed:** **Dec. 6, 2001**

(51) **LOC (7) Cl.** ..... **19-01**

(52) **U.S. Cl.** ..... **D19/2; D20/27; D20/28**

(58) **Field of Search** ..... D20/22, 27, 28; D19/1, 2, 65, 99; 428/42.2, 41.7, 40.1, 343, 354, 42.1, 43, 66.5, 66.6; 283/81, 117; 156/60, 249, 247; 40/638

(56) **References Cited**

**U.S. PATENT DOCUMENTS**

3,316,709	A	*	5/1967	Edwards	.....	283/117	X
4,507,883	A	*	4/1985	Tarrant	.....	40/638	
4,879,710	A	*	11/1989	Iijima	.....	369/291	
D311,030	S	*	10/1990	Lanigan	.....	D20/22	
5,787,069	A	*	7/1998	Lowe et al.	.....	369/291	
5,799,982	A	*	9/1998	McClure et al.	.....	283/81	

5,925,200	A	*	7/1999	Grossman	.....	156/60	
D415,798	S	*	10/1999	Davies	.....	D20/27	
6,054,009	A	*	4/2000	Cote et al.	.....	156/249	
D427,243	S	*	6/2000	Luby et al.	.....	D20/28	
6,168,841	B1	*	1/2001	Chen	.....	428/40.1	
6,279,960	B1	*	8/2001	Claussnitzer	.....	283/81	
6,403,191	B1	*	6/2002	Casagrande	.....	428/42.2	
2001/0025689	A1	*	10/2001	Barnet	.....	156/247	

\* cited by examiner

*Primary Examiner*—Martie K. Holtje

(74) *Attorney, Agent, or Firm*—Oppenheimer Wolff & Donnelly LLP

(57) **CLAIM**

The ornamental design for a label sheet, as shown and described.

**DESCRIPTION**

FIG. 1 is a top plan view of a label sheet of the present invention;  
FIG. 2 is a left edge elevational view thereof;  
FIG. 3 is a top edge elevational view thereof;  
FIG. 4 is a right edge elevational view thereof;  
FIG. 5 is a bottom edge elevational view thereof;  
FIG. 6 is a bottom plan view thereof; and,  
FIG. 7 is an enlarged cross-sectional view taken on line 7—7 of FIG. 1.

**1 Claim, 2 Drawing Sheets**

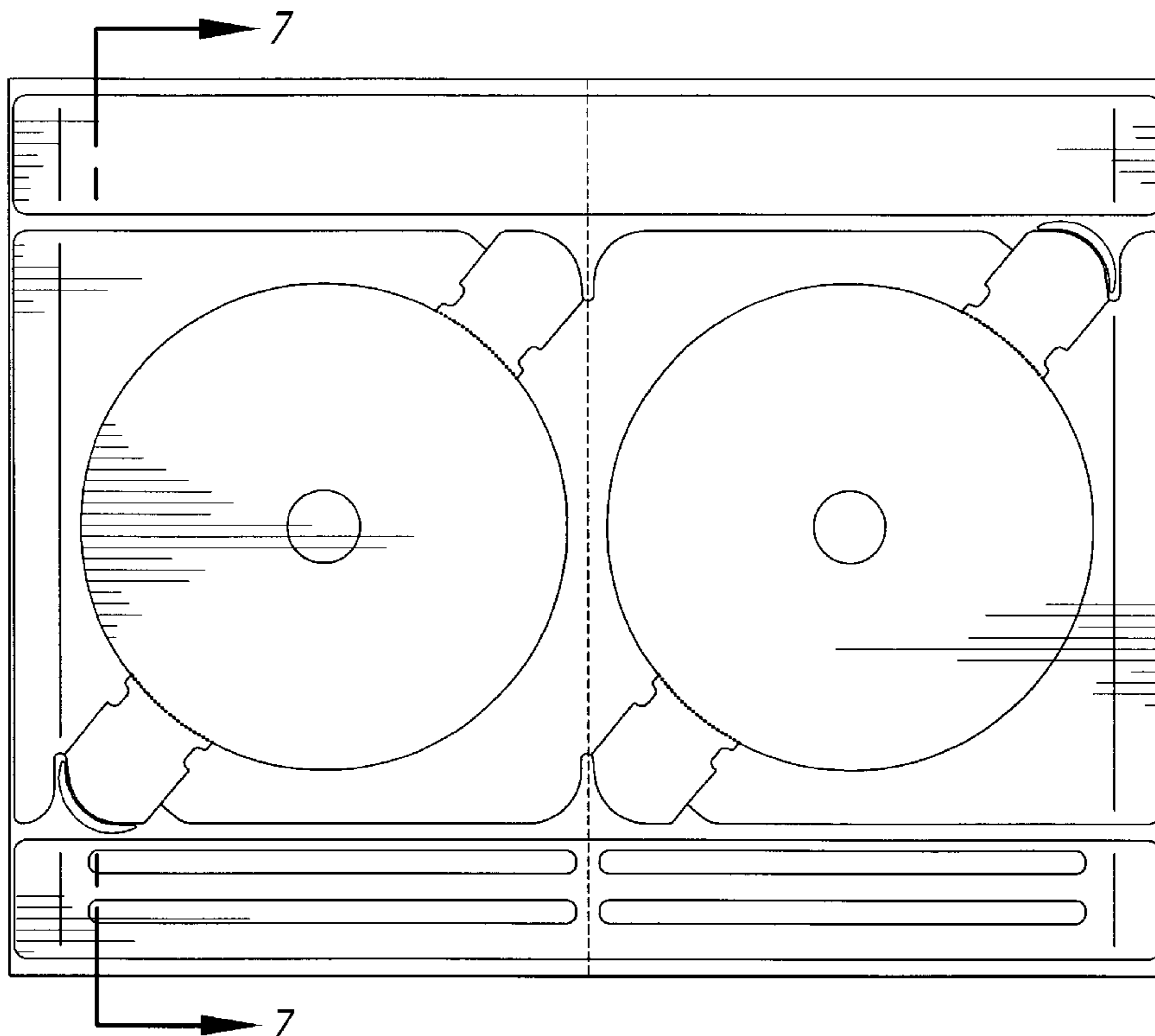


FIG. 3

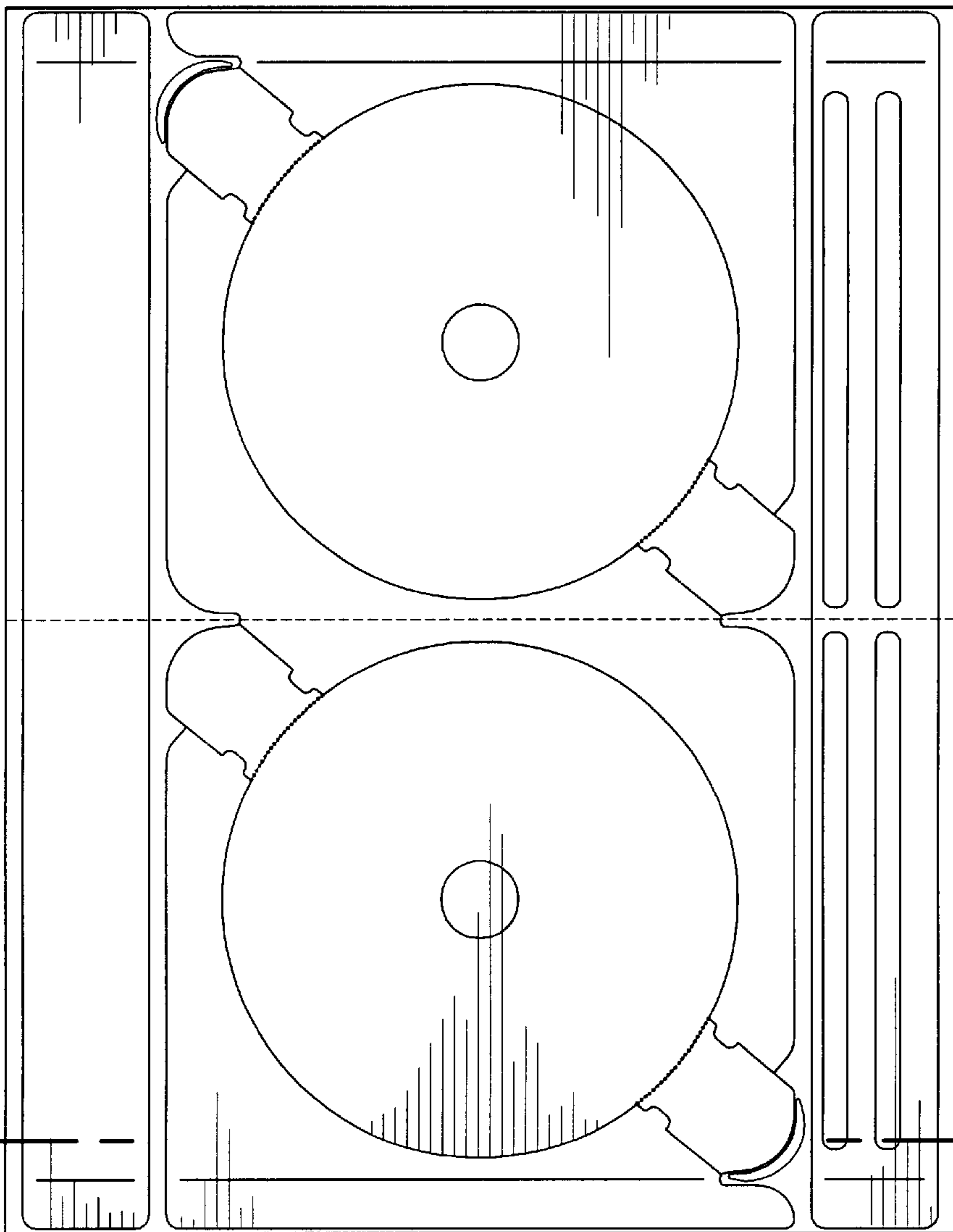


FIG. 1

FIG. 2

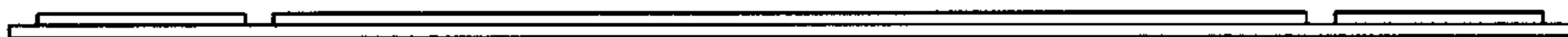


FIG. 4

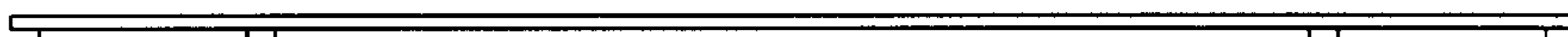


FIG. 5



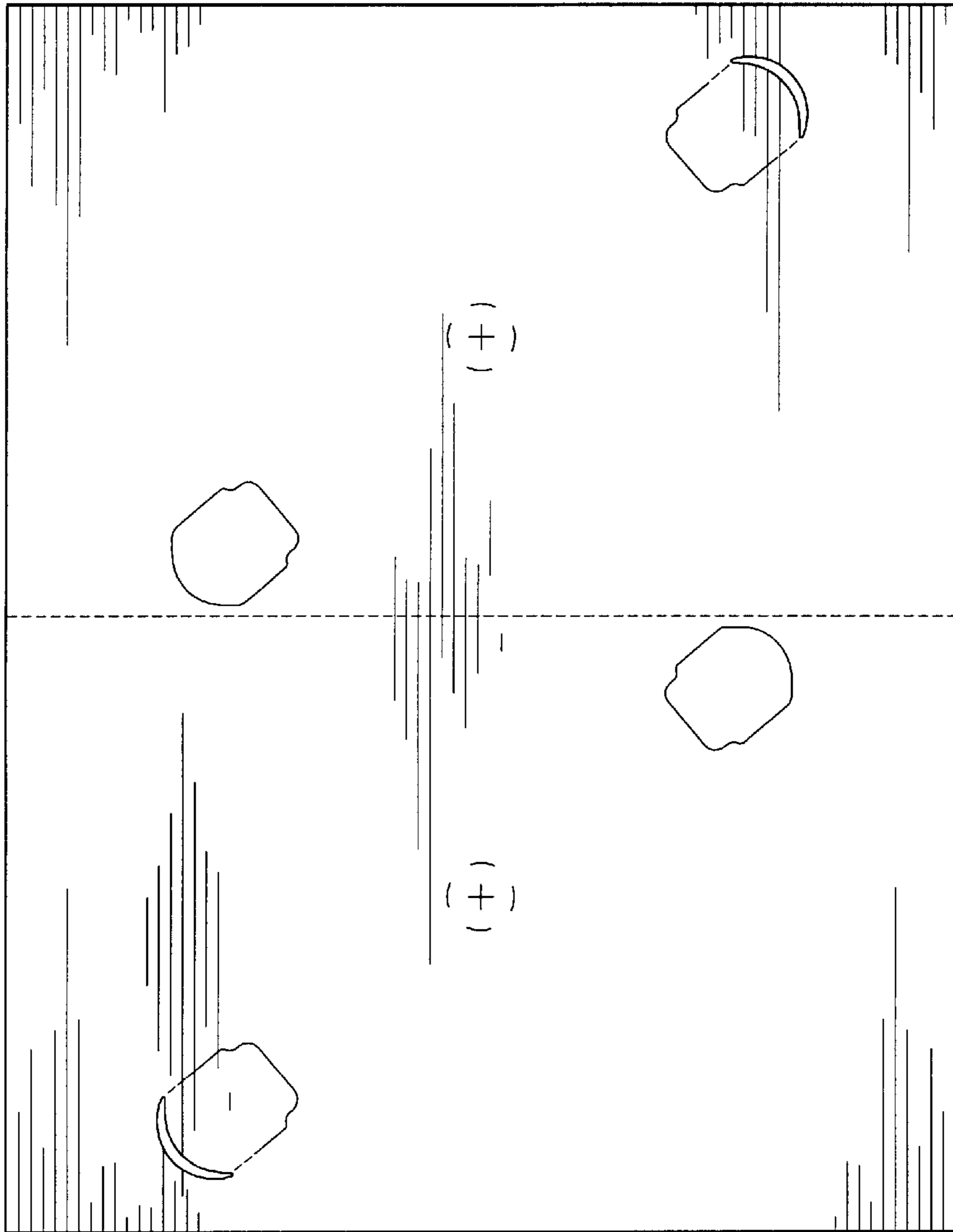


FIG. 6

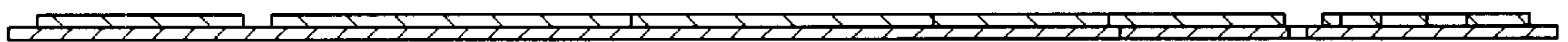


FIG. 7