



US00D476030S

(12) **United States Design Patent**
Wiel et al.

(10) **Patent No.:** **US D476,030 S**

(45) **Date of Patent:** **** Jun. 17, 2003**

(54) **BATH SCALE**

(75) Inventors: **Martijn van de Wiel**, Den Haag (NL);
Todd A. Zeilinger, Chicago, IL (US);
James Montagnino, St. Charles, IL
(US); **Anson Wong**, Boca Raton, FL
(US); **Jan Biang**, Evergreen Park, IL
(US)

(73) Assignee: **Sunbeam Products, Inc.**, Boca Raton,
FL (US)

(**) Term: **14 Years**

(21) Appl. No.: **29/172,918**

(22) Filed: **Dec. 18, 2002**

(51) **LOC (7) Cl.** **10-04**

(52) **U.S. Cl.** **D18/92**

(58) **Field of Search** D10/92; 177/238-245,
177/25.13, 25.16

(56) **References Cited**

U.S. PATENT DOCUMENTS

D449,554 S * 10/2001 Montagnino et al. D10/92

* cited by examiner

Primary Examiner—Antoine Duval Davis

(74) *Attorney, Agent, or Firm*—Lawrence J. Shurupoff

(57) **CLAIM**

The ornamental design for a bath scale, as shown and described.

DESCRIPTION

FIG. 1 is a top right rear perspective view of the bath scale showing the new design;

FIG. 2 is a right side elevational view thereof and being the same as the right side elevational view thereof;

FIG. 3 is a front elevational view thereof;

FIG. 4 is a top plan view thereof;

FIG. 5 is a bottom plan view thereof; and,

FIG. 6 is a rear elevational view thereof.

1 Claim, 3 Drawing Sheets

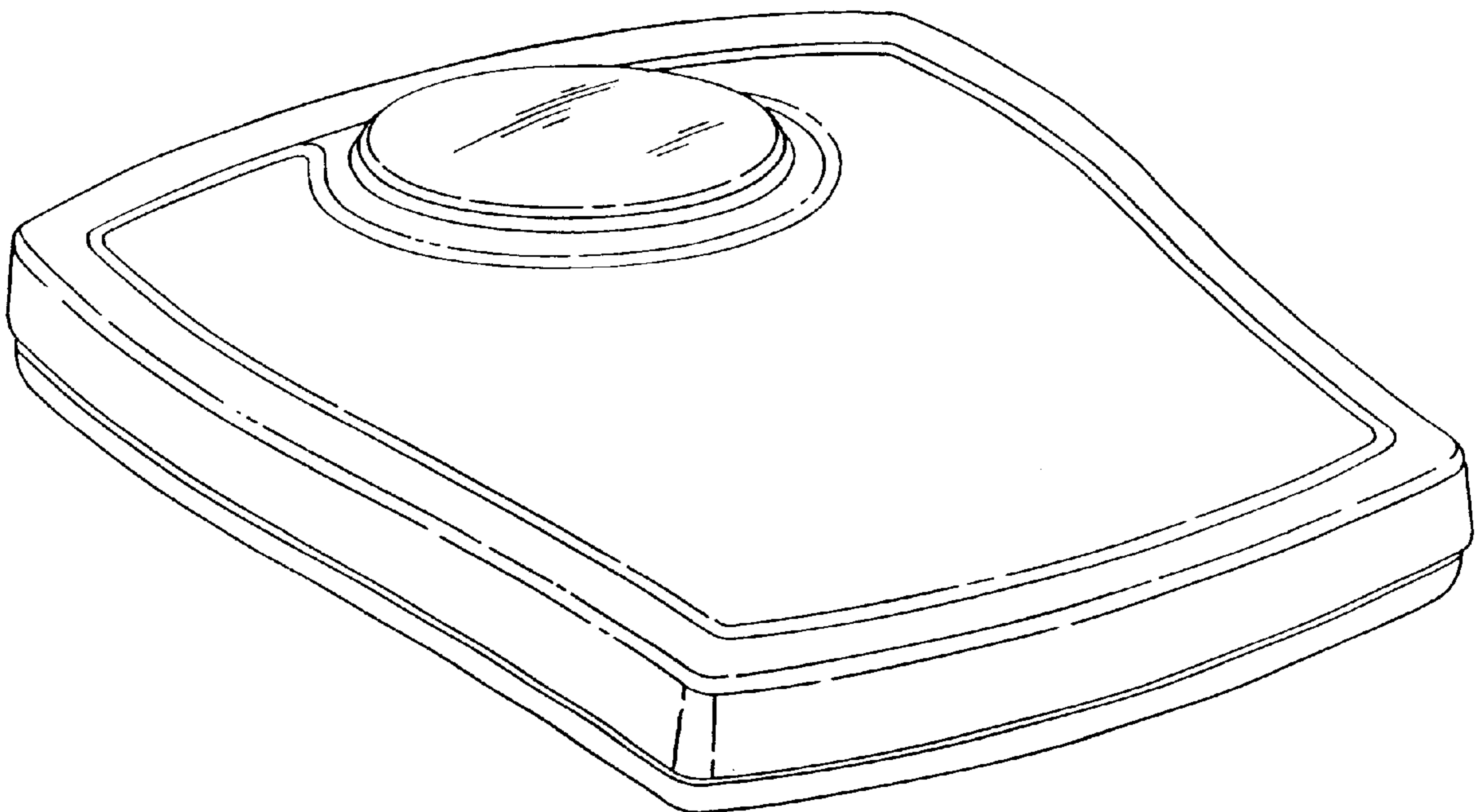


FIG 1

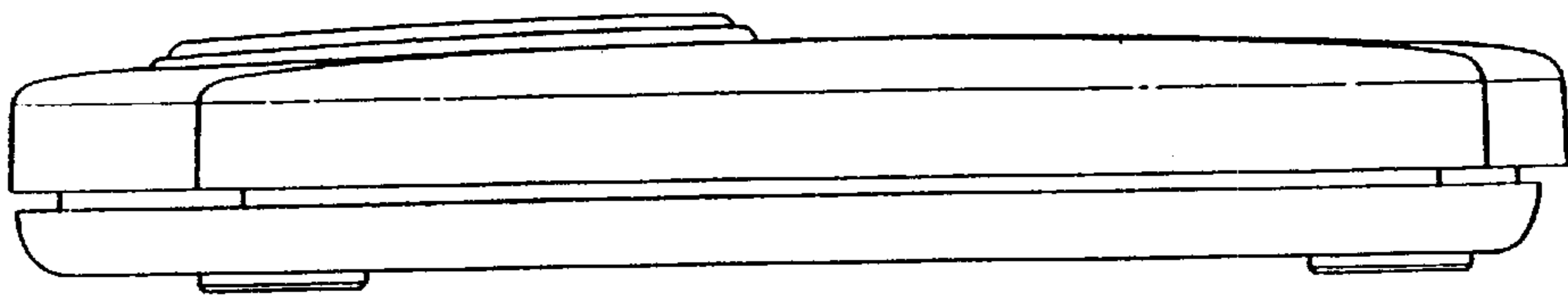
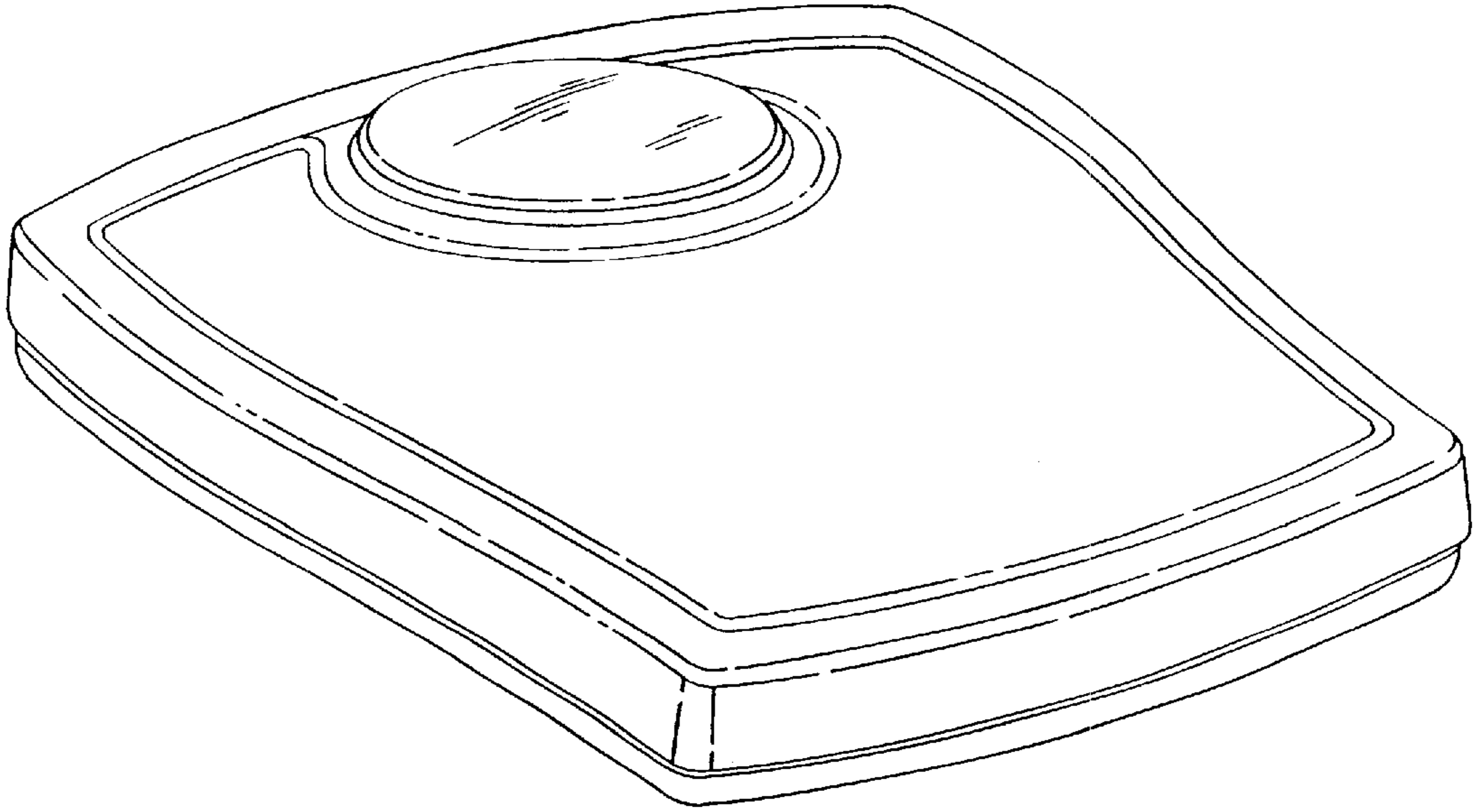


FIG 2

FIG 3

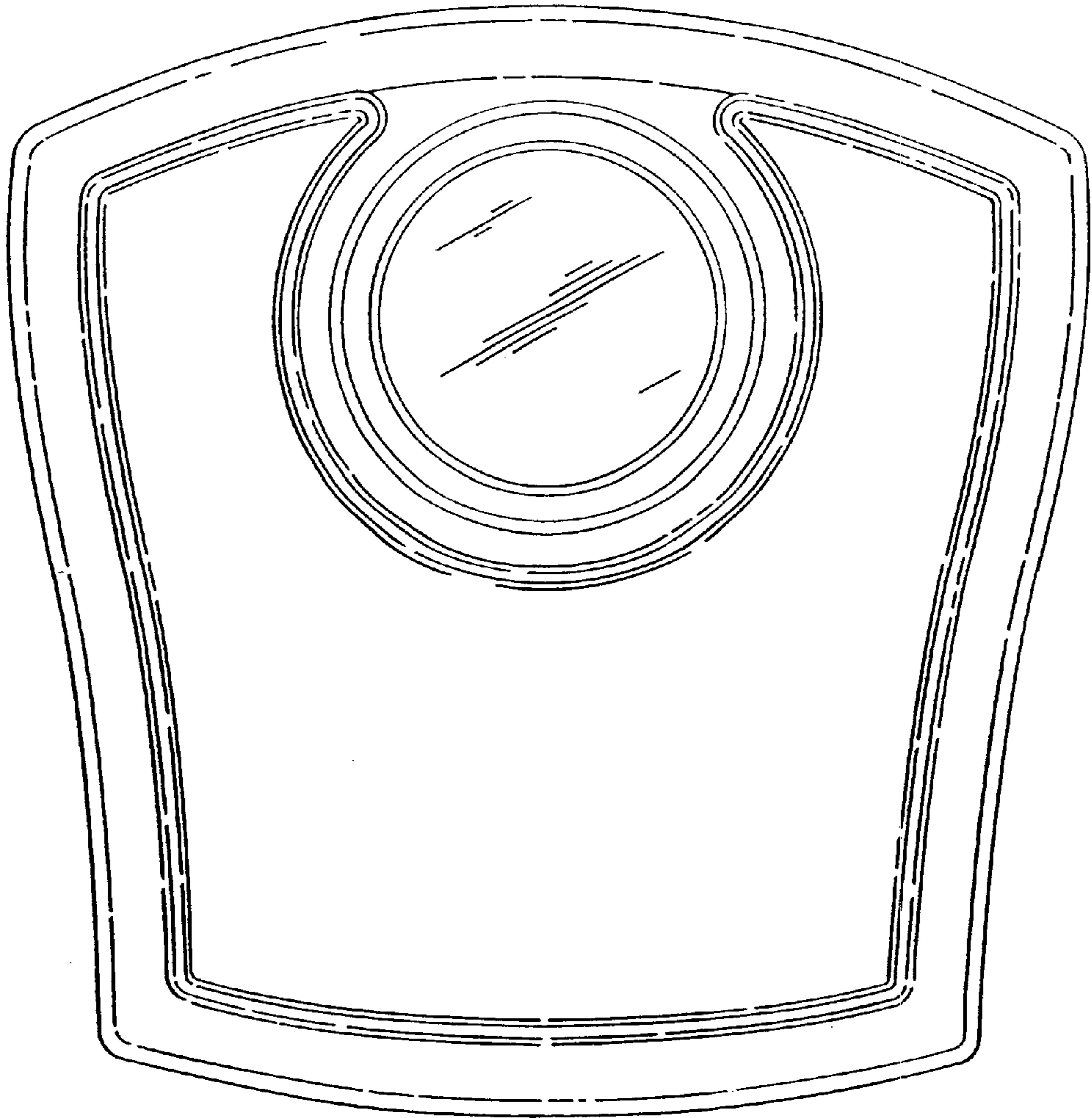
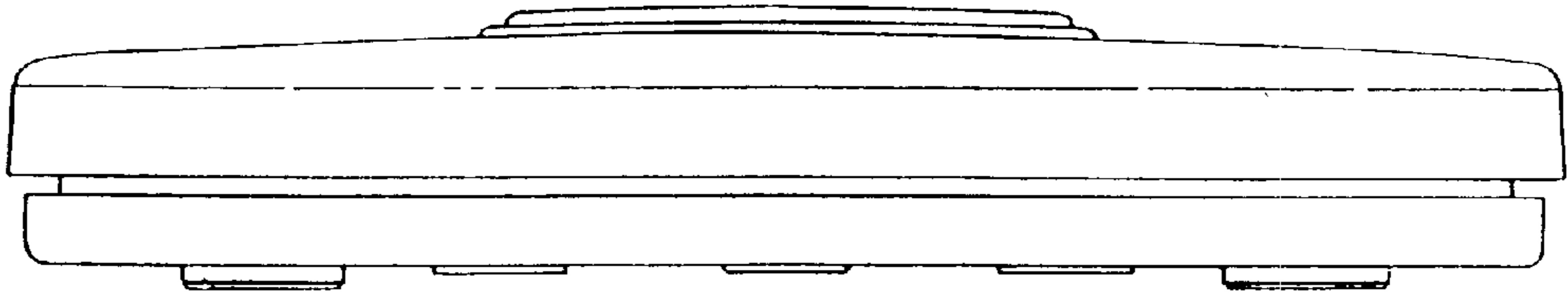


FIG 4

FIG 5

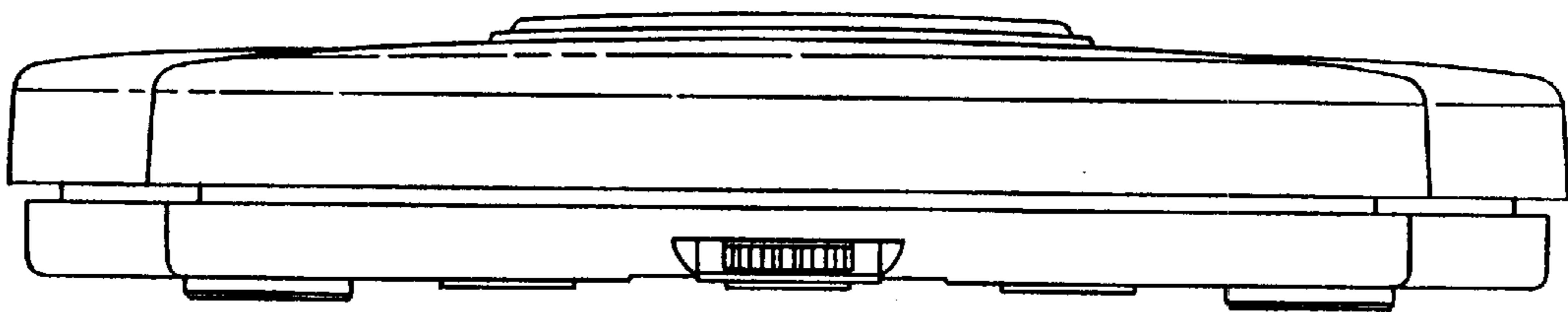
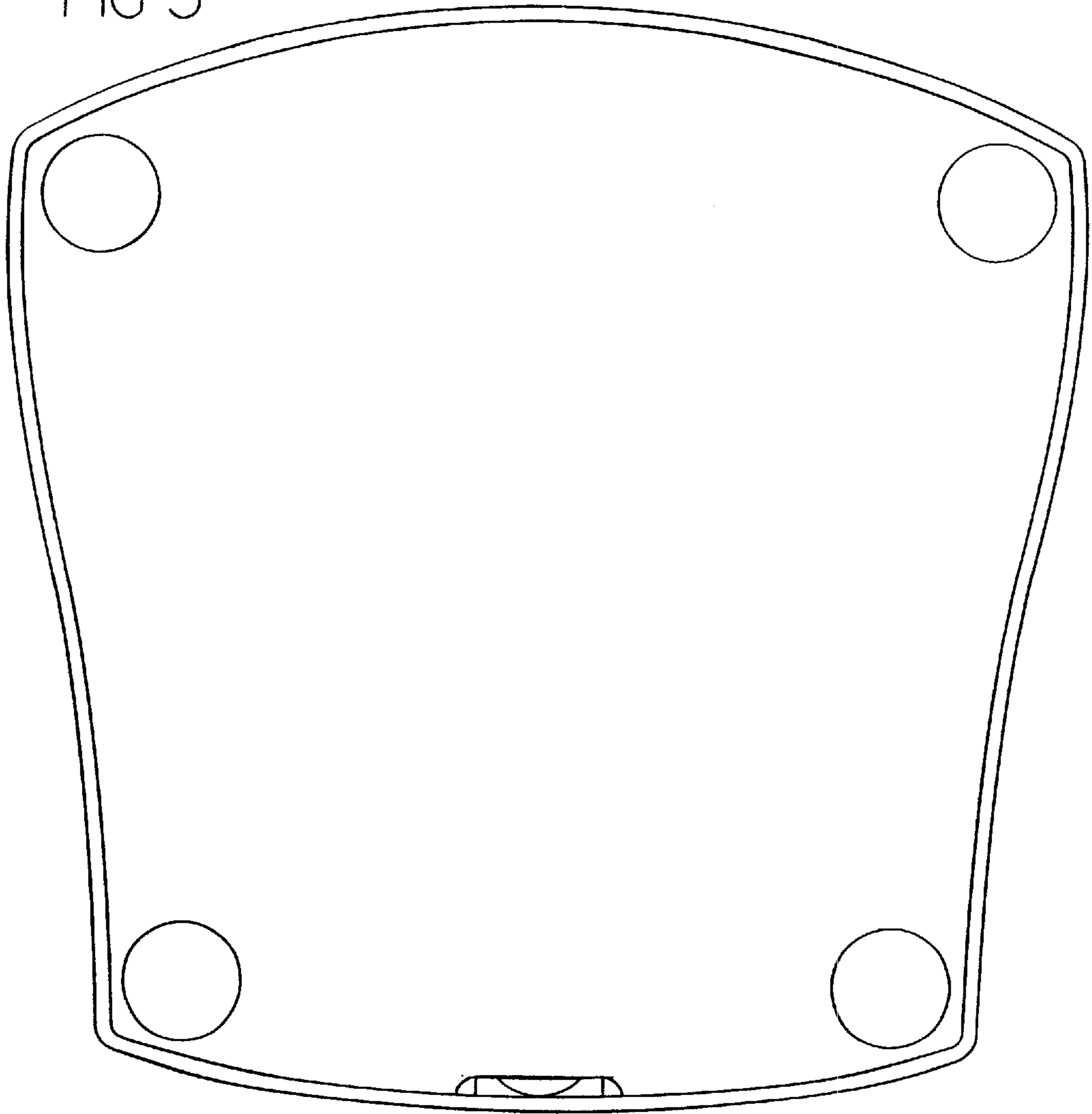


FIG 6