



US00D476025S

(12) **United States Design Patent**
Ford

(10) **Patent No.:** **US D476,025 S**

(45) **Date of Patent:** **** Jun. 17, 2003**

(54) **UNIVERSAL CAMERA HOLDER**

(75) Inventor: **Jay Henry Ford**, Madera, CA (US)

(73) Assignee: **Pelco**, Clovis, CA (US)

(**) Term: **14 Years**

(21) Appl. No.: **29/145,776**

(22) Filed: **Jul. 27, 2001**

(51) **LOC (7) Cl.** **16-05**

(52) **U.S. Cl.** **D16/242**

(58) **Field of Search** D3/218, 219, 267;
D16/237, 242; 224/908; 396/427, 428

(56) **References Cited**

U.S. PATENT DOCUMENTS

D181,590 S	*	12/1957	Lang	D3/267
D365,588 S	*	12/1995	Fernandez	D16/242
D371,236 S	*	7/1996	Scheid et al.	D3/218
5,563,659 A	*	10/1996	Bernhardt et al.	348/373
D413,435 S	*	9/1999	Chapman et al.	D3/219

OTHER PUBLICATIONS

The Eclipse By Safety Vision.

* cited by examiner

Primary Examiner—Adir Aronovich

(74) *Attorney, Agent, or Firm*—Mark D. Miller

(57) **CLAIM**

I claim the ornamental design for a universal camera holder, as shown and described.

DESCRIPTION

FIG. 1 is a front perspective view of a lower half shell of the universal camera holder showing my new design;

FIG. 2 is a rear perspective view thereof;

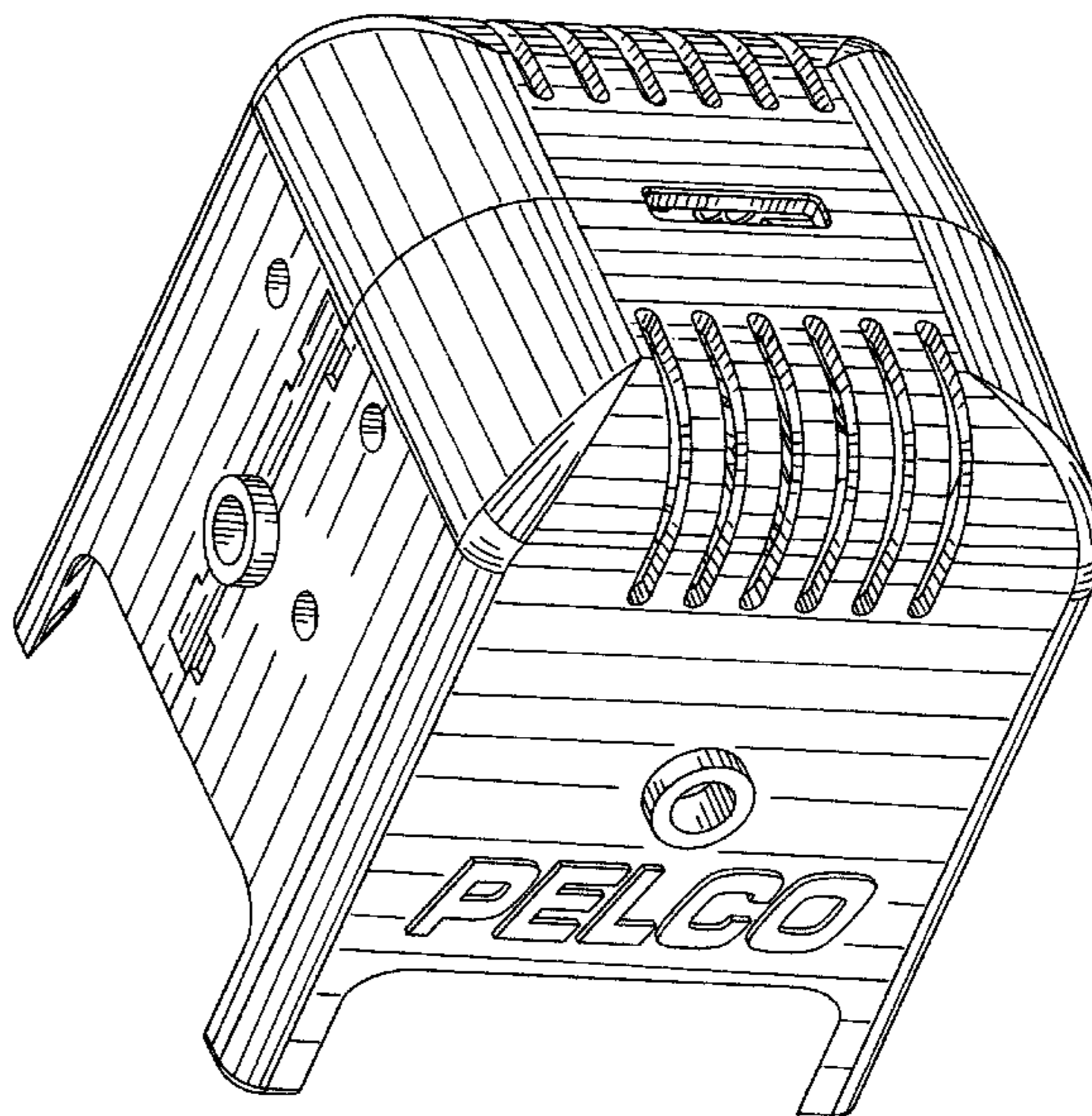
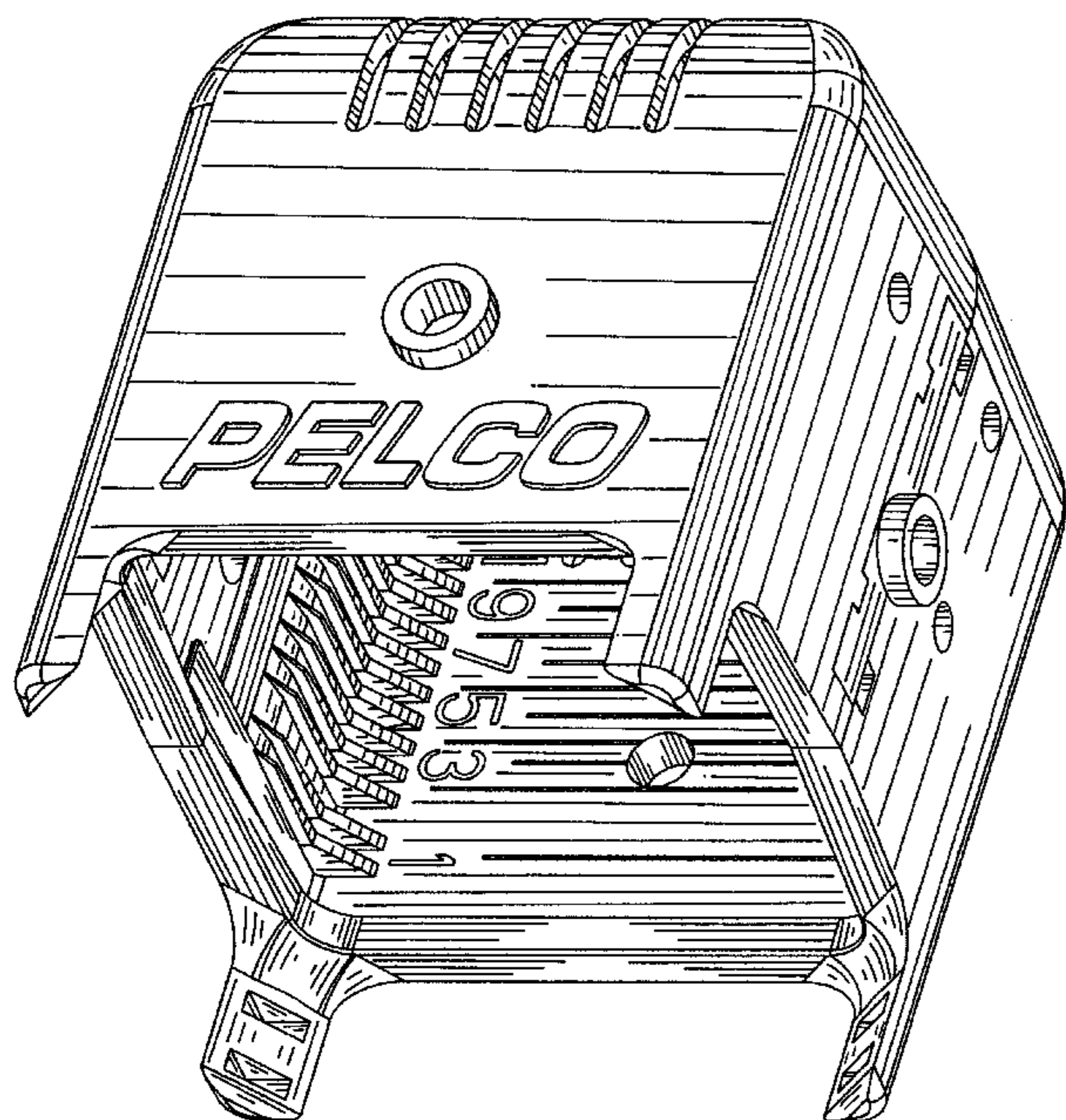
FIG. 3 is an exploded front perspective view of upper and lower shells of the present invention;

FIG. 4 is a front perspective view of the assembled shells of the present invention; and,

FIG. 5 is a rear perspective view thereof.

The claimed design is directed to the appearance as shown in FIGS. 4 and 5.

1 Claim, 5 Drawing Sheets



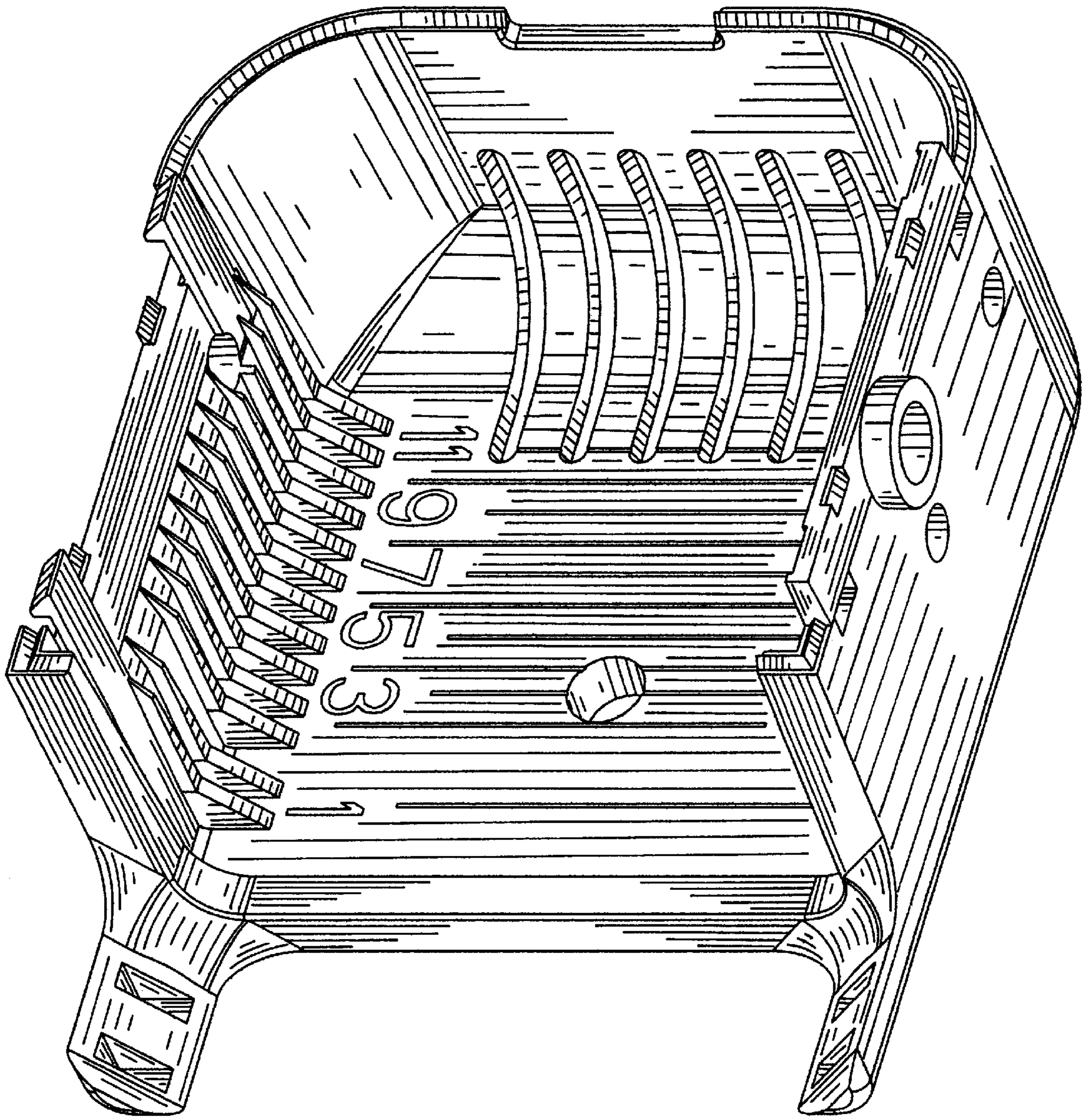


FIG. 1

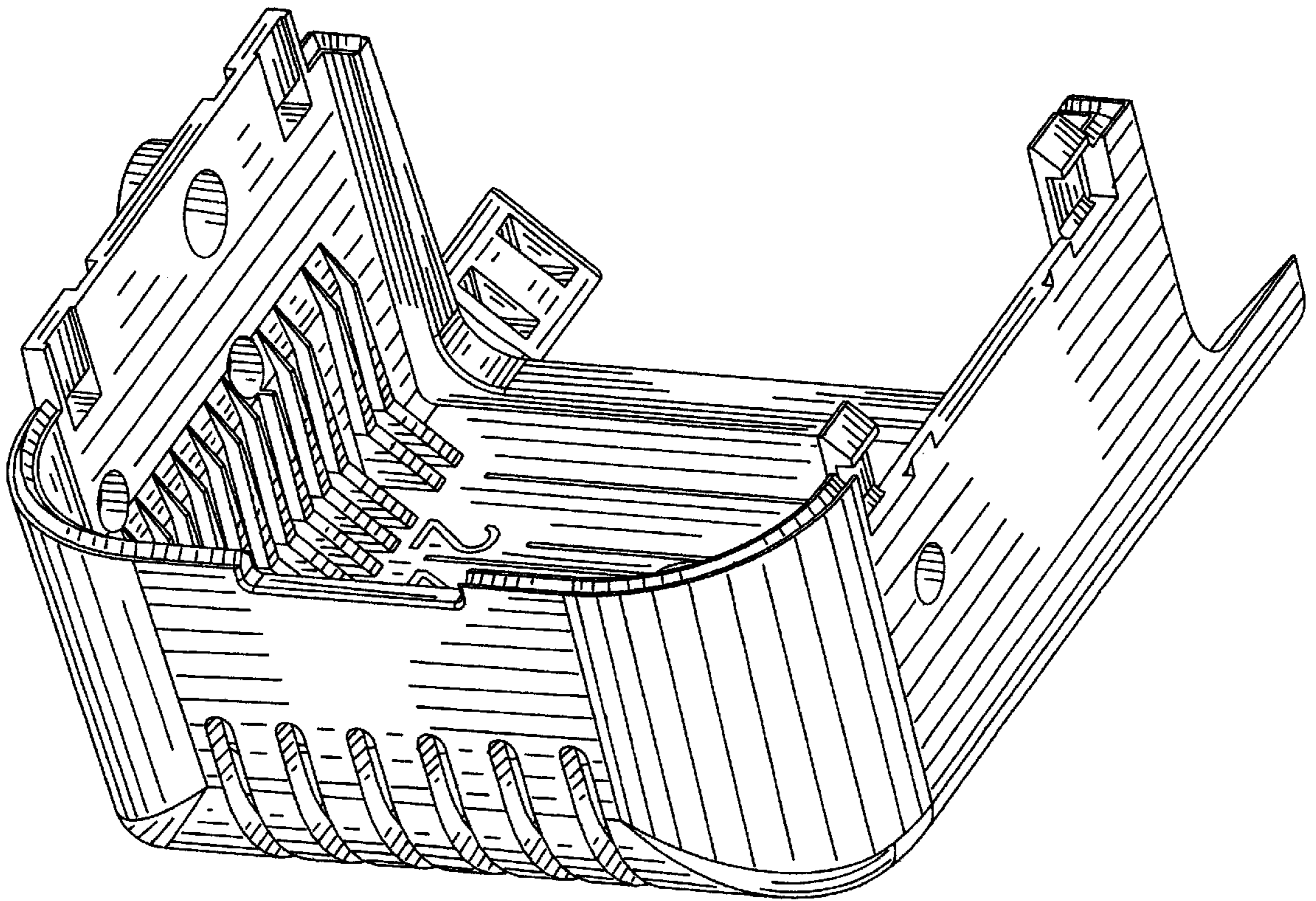


FIG. 2

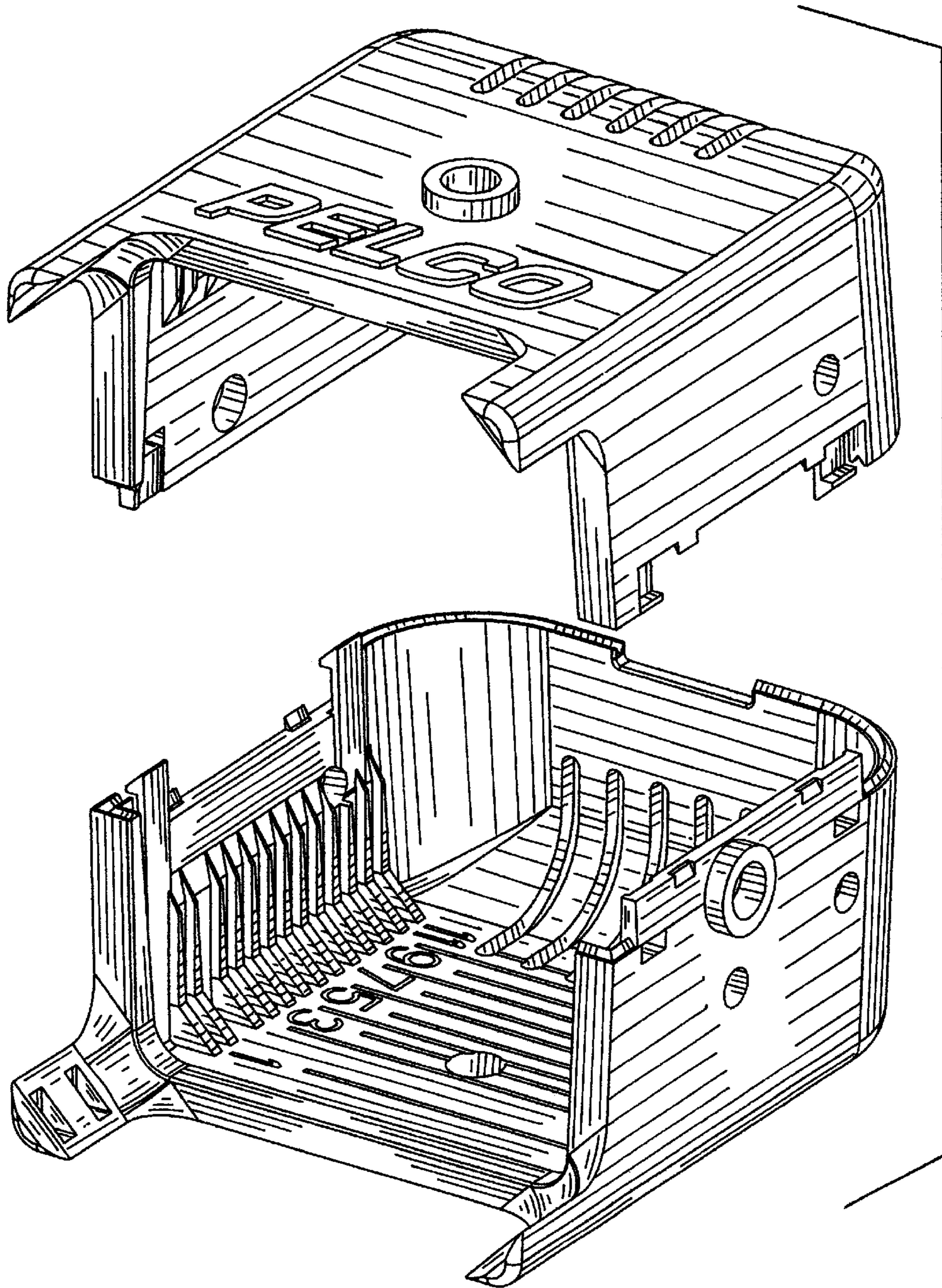


FIG. 3

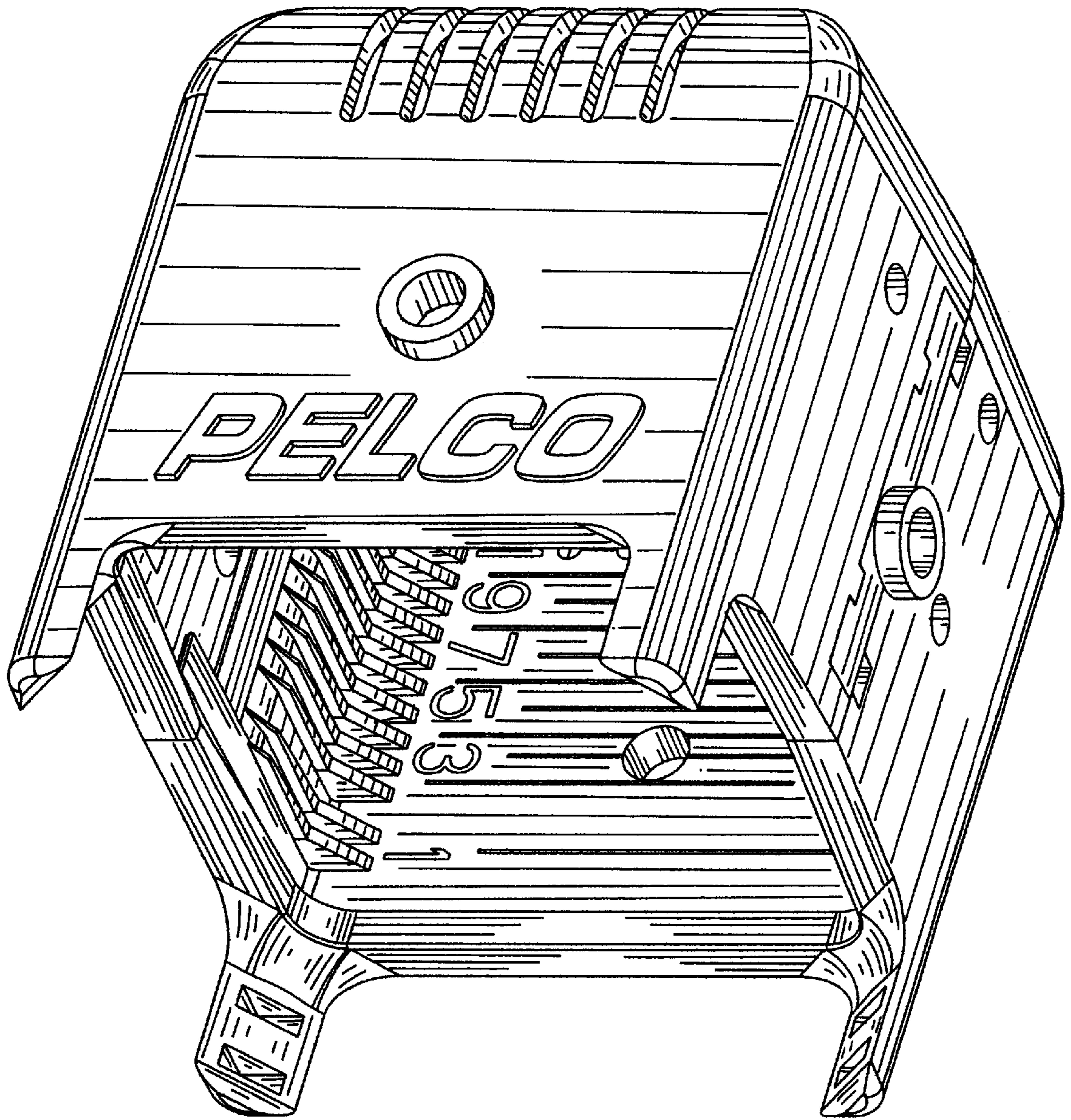


FIG. 4

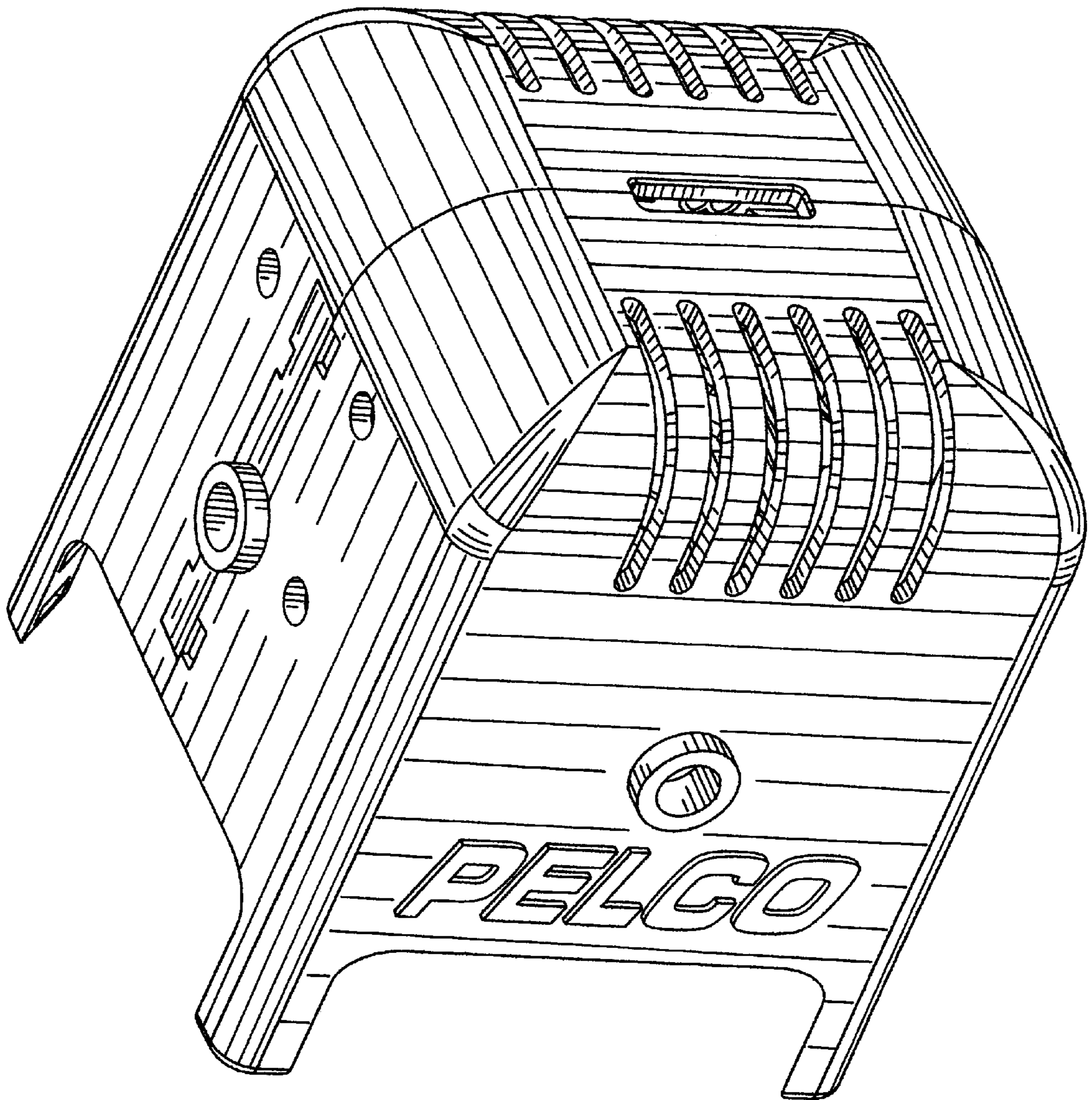


FIG. 5