



US00D476022S

(12) **United States Design Patent**
Sumita

(10) **Patent No.:** **US D476,022 S**

(45) **Date of Patent:** **** Jun. 17, 2003**

(54) **VIDEO CAMERA**

(75) Inventor: **Kaoru Sumita**, Tokyo (JP)

(73) Assignee: **Sony Corporation**, Tokyo (JP)

(**) Term: **14 Years**

(21) Appl. No.: **29/165,817**

(22) Filed: **Aug. 19, 2002**

(51) **LOC (7) Cl.** **16-01**

(52) **U.S. Cl.** **D16/202**

(58) **Field of Search** **D16/200–206,**
D16/208, 218; 348/373–376; 358/906; 396/535–541

(56) **References Cited**

U.S. PATENT DOCUMENTS

D355,664 S	*	2/1995	Kataoka	D16/202
5,499,052 A	*	3/1996	Nakanishi et al.	348/373
D375,108 S	*	10/1996	Harata	D16/202
D413,135 S		8/1999	Nakamura	D16/202
D414,792 S	*	10/1999	Harata	D16/202
D435,262 S		12/2000	Maeyama	D16/202
D438,553 S	*	3/2001	Sekine et al.	D16/202
D443,629 S		6/2001	Suzuki	D16/202
D445,816 S	*	7/2001	Tanaka	D16/203

OTHER PUBLICATIONS

Web page, "PC Watch," <http://www.watch.impress.co.jp/pc/docs/article/20000315/Toshiba.html>, 6 sheets, IMPRESS CO. (Mar. 2000).

Catalog, "Digital Handycam TRV 30," p. 20, SONY (Mar. 2001).

* cited by examiner

Primary Examiner—Adir Aronovich

(74) *Attorney, Agent, or Firm*—Rader, Fishman & Grauer PLLC

(57) **CLAIM**

The ornamental design for a video camera, as shown.

DESCRIPTION

FIG. 1 is a top, front, right perspective view of a video camera showing my new design;

FIG. 2 is a top front left perspective view thereof;

FIG. 3 is a front elevational view thereof;

FIG. 4 is a rear elevational view thereof;

FIG. 5 is a left side elevational view thereof;

FIG. 6 is a right side elevational view thereof;

FIG. 7 is a top plan view thereof; and,

FIG. 8 is a bottom plan view thereof.

1 Claim, 5 Drawing Sheets

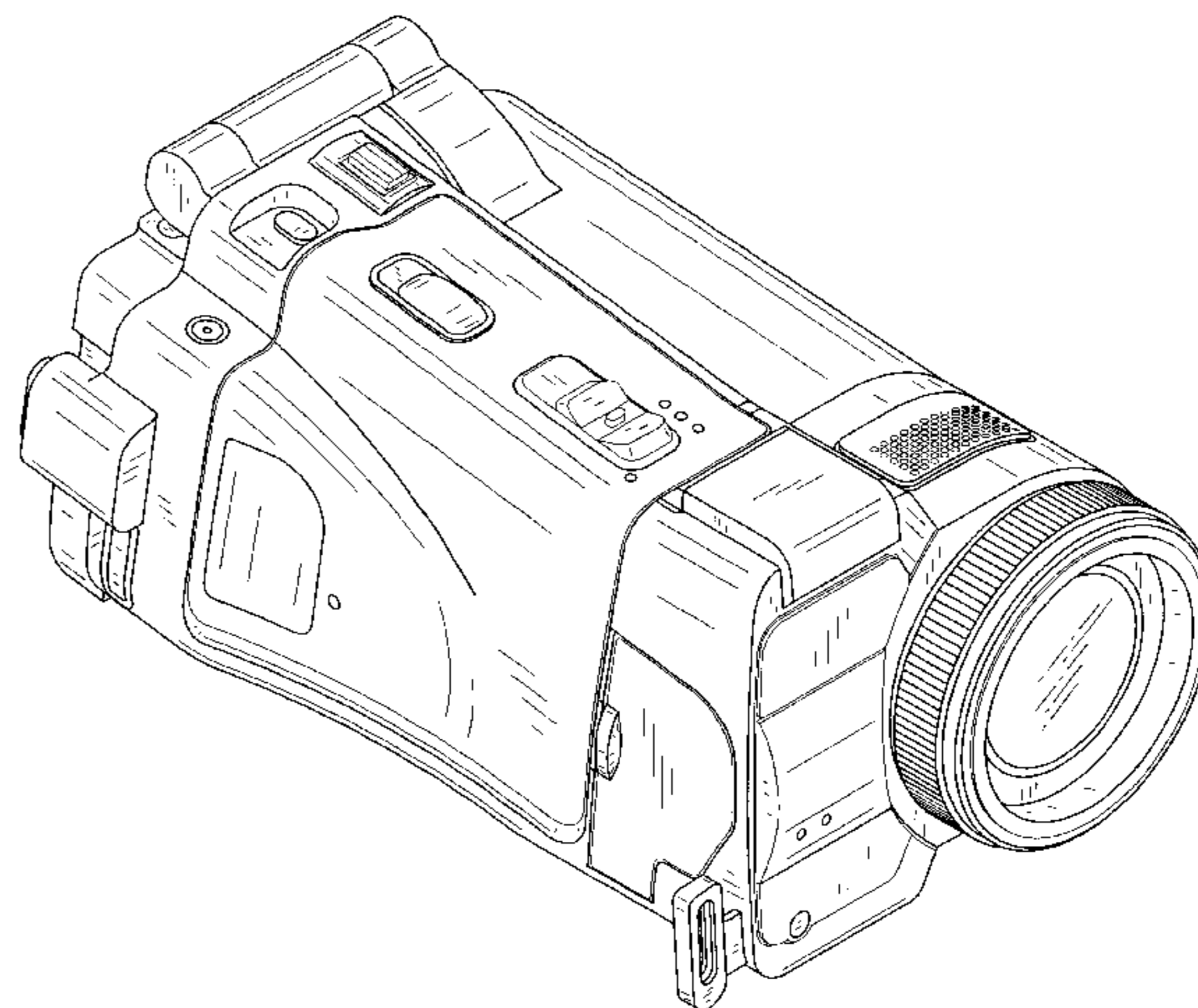
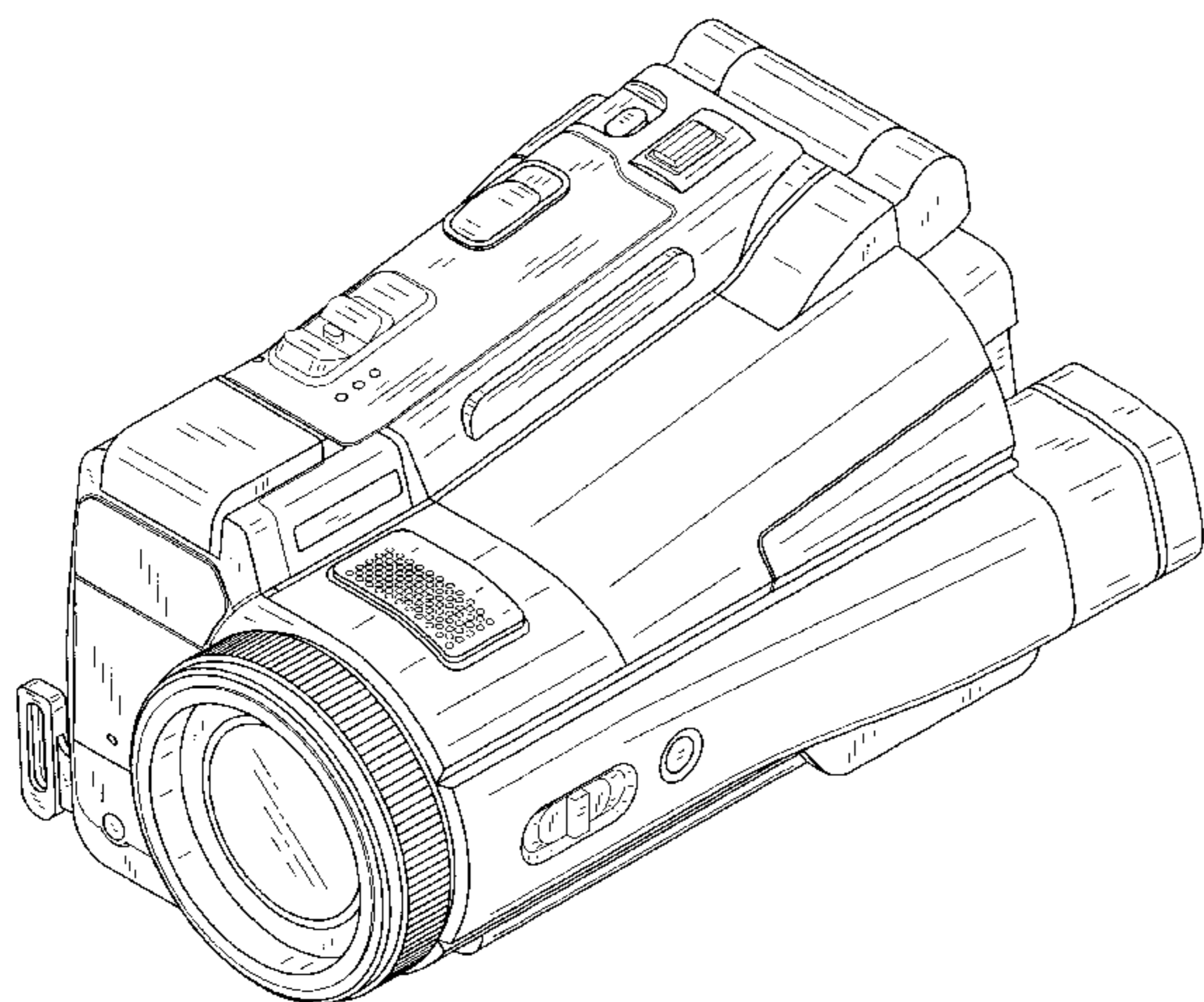


FIG. 1

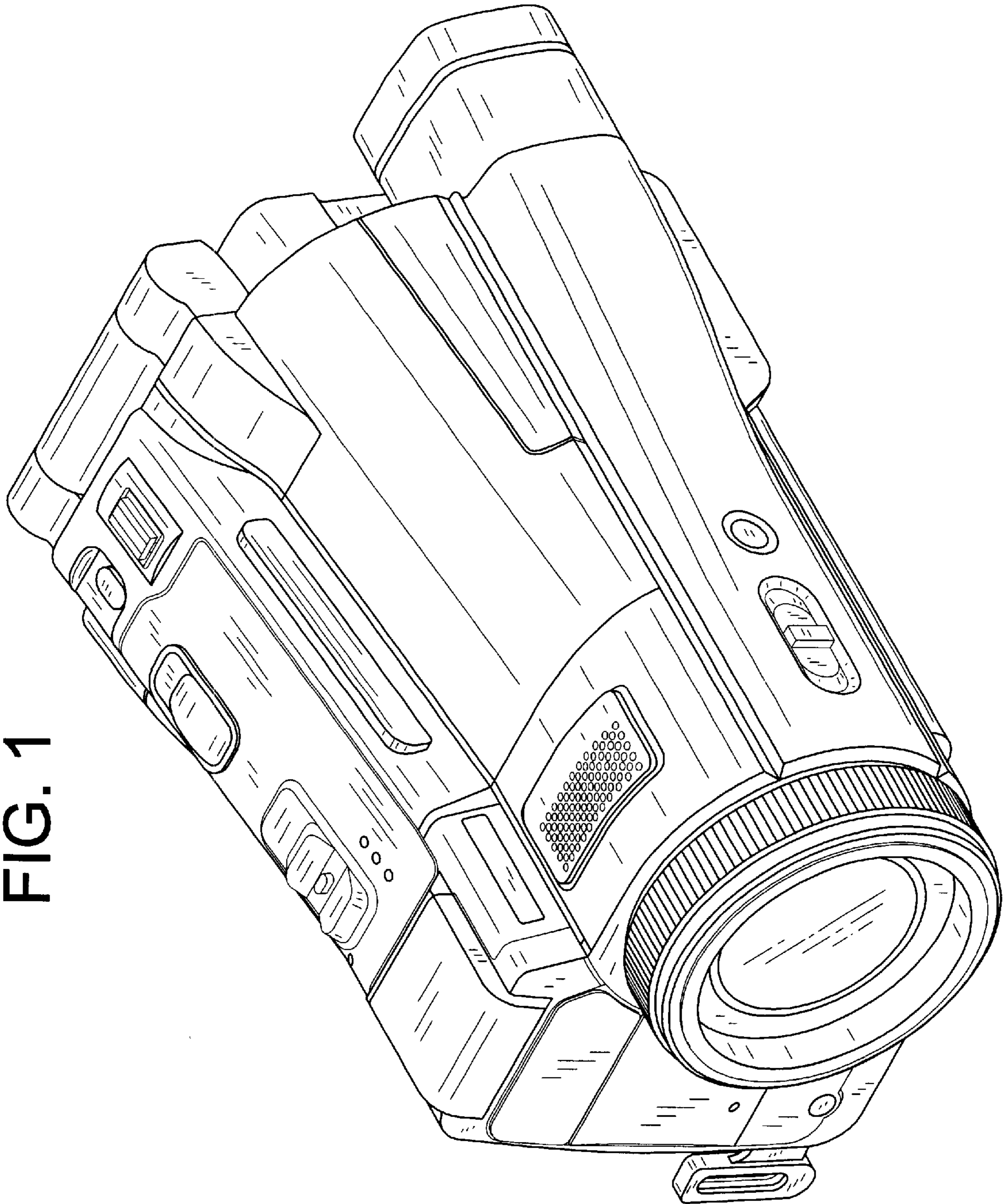


FIG. 2

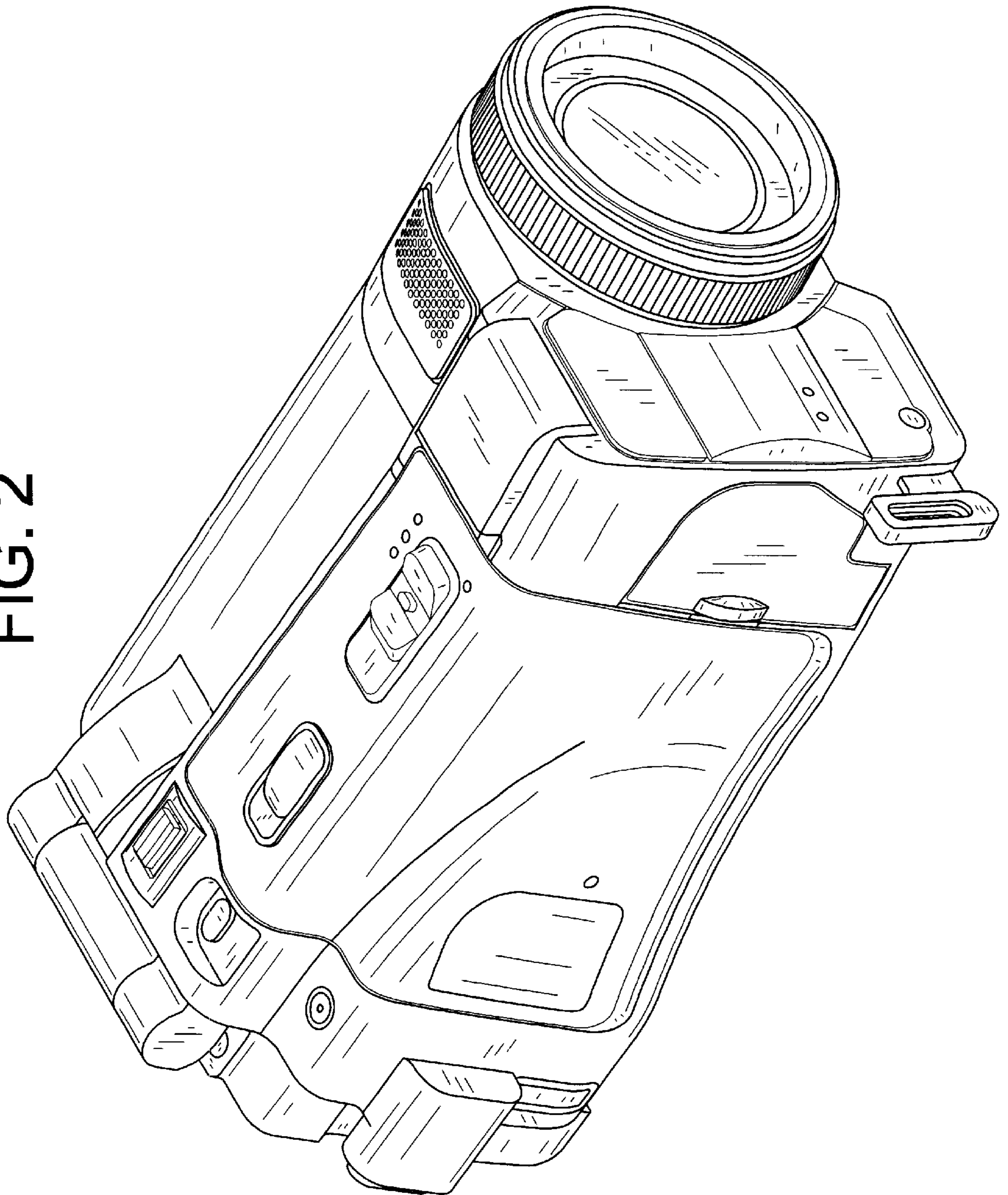


FIG. 3

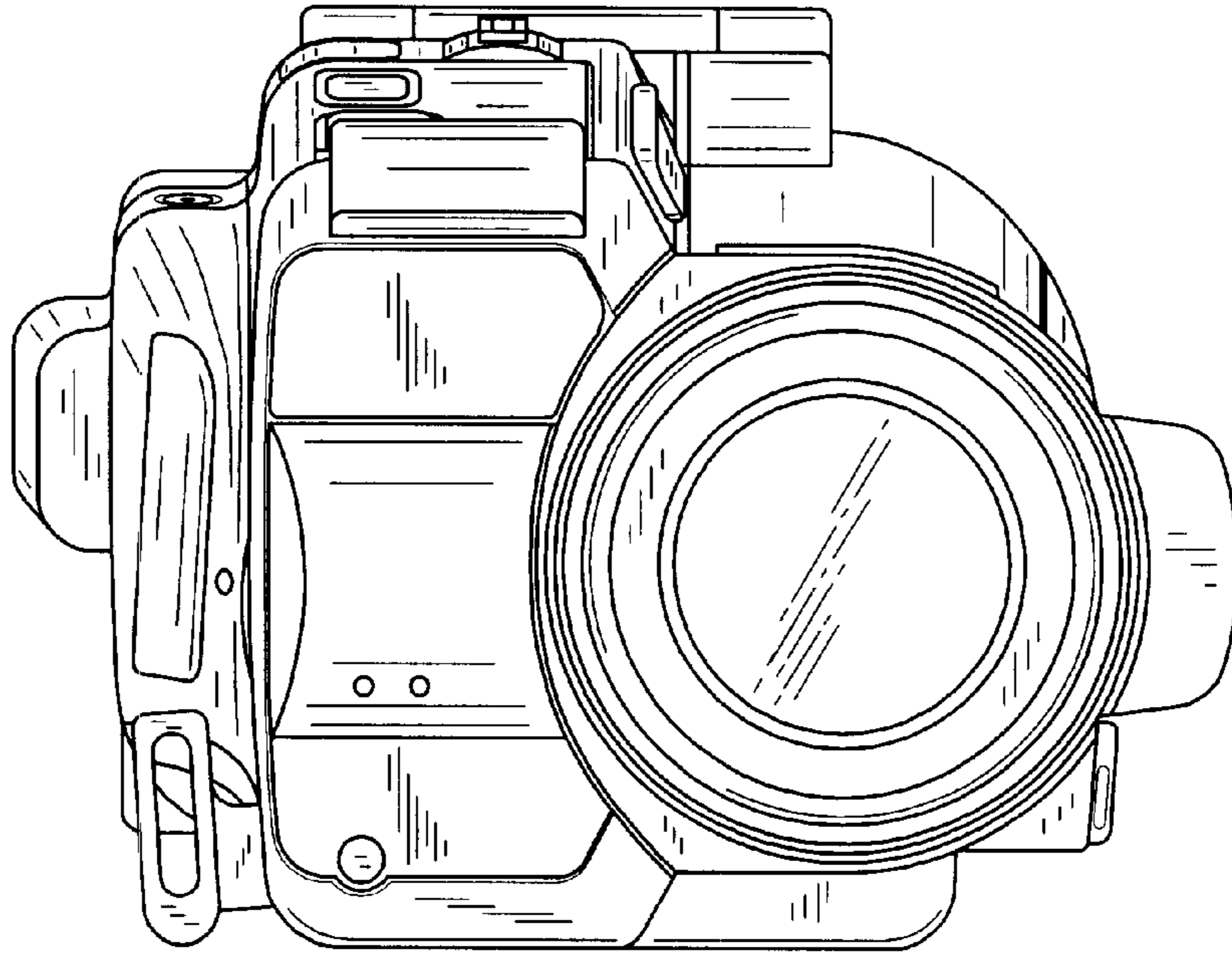


FIG. 4

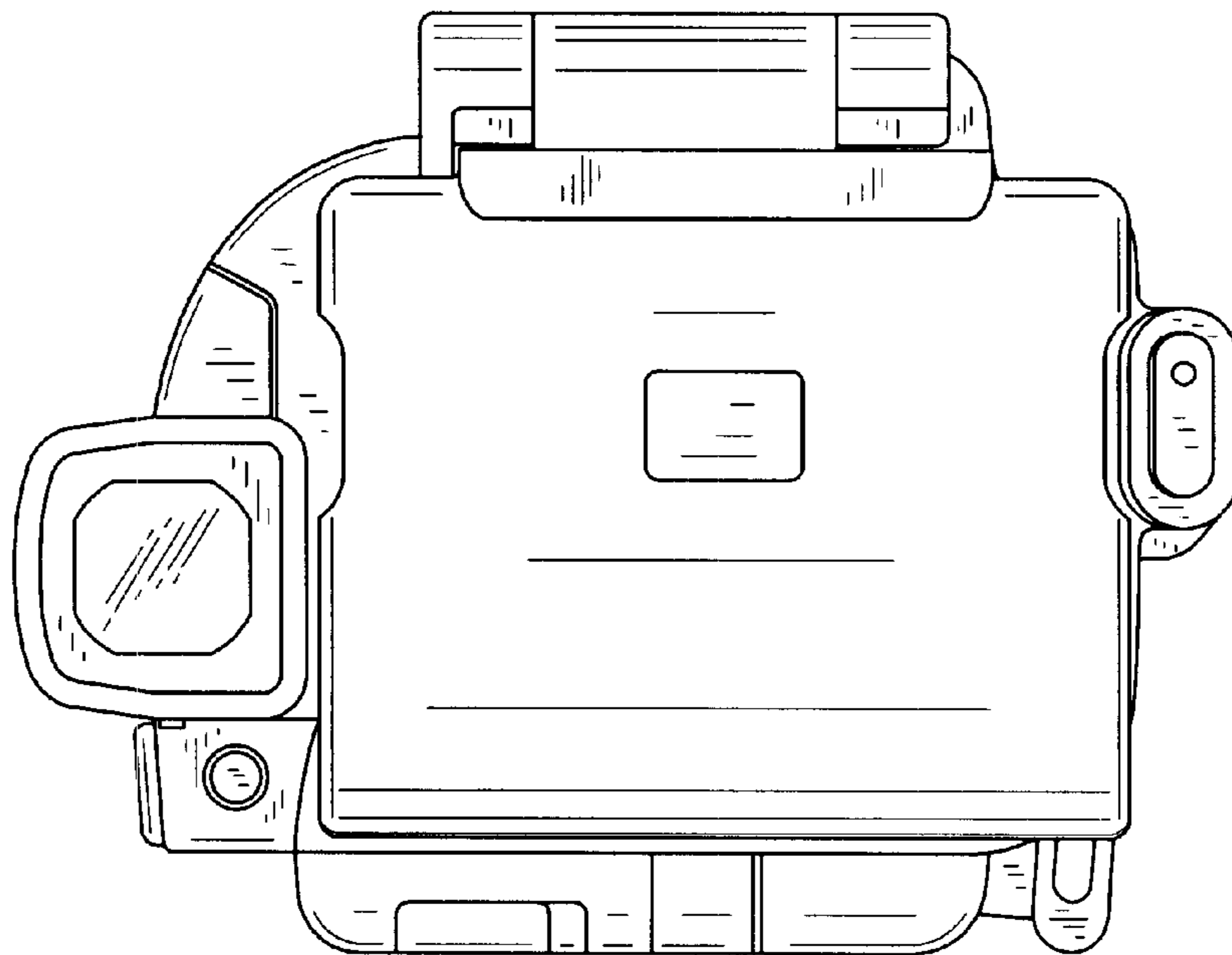


FIG. 5

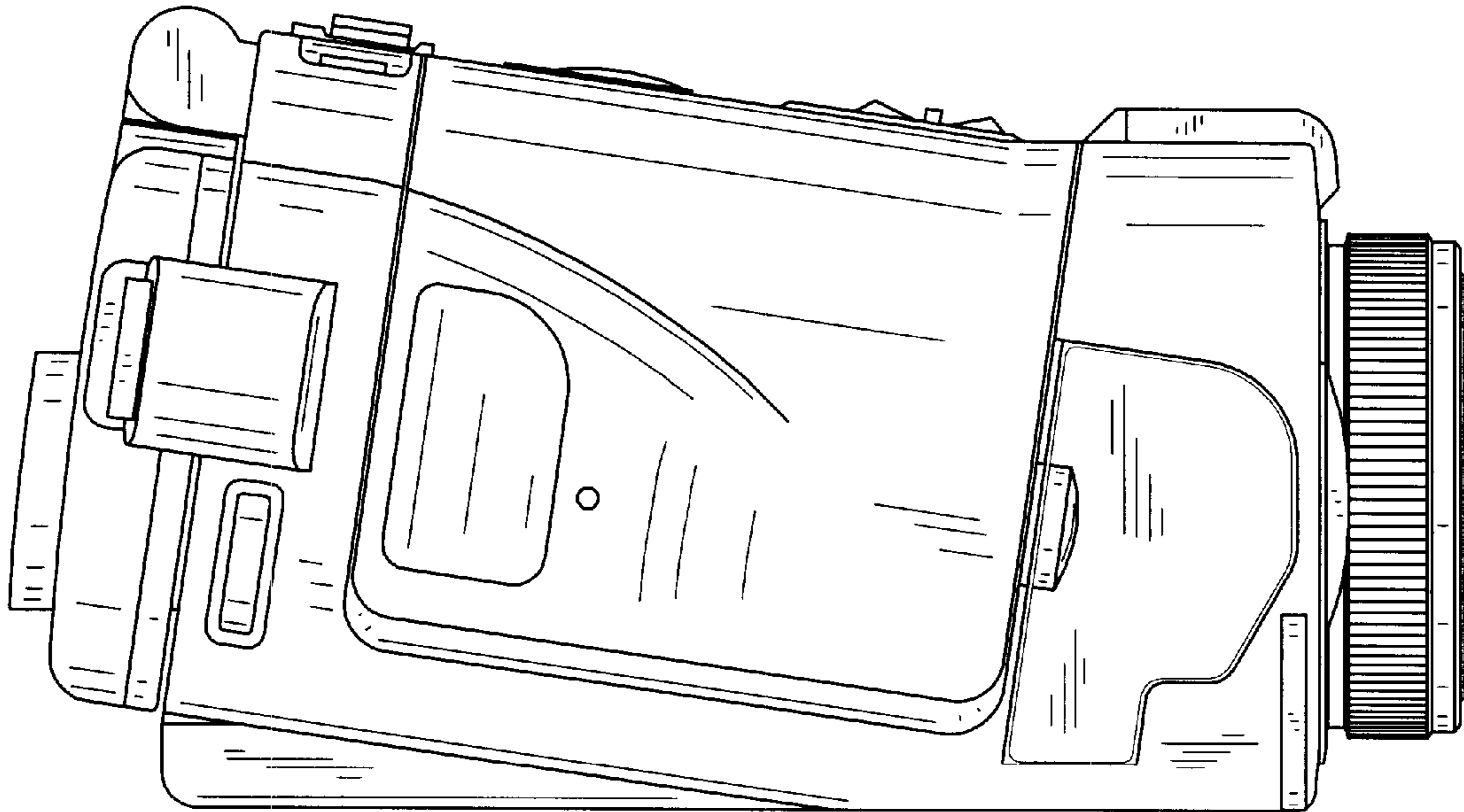


FIG. 6

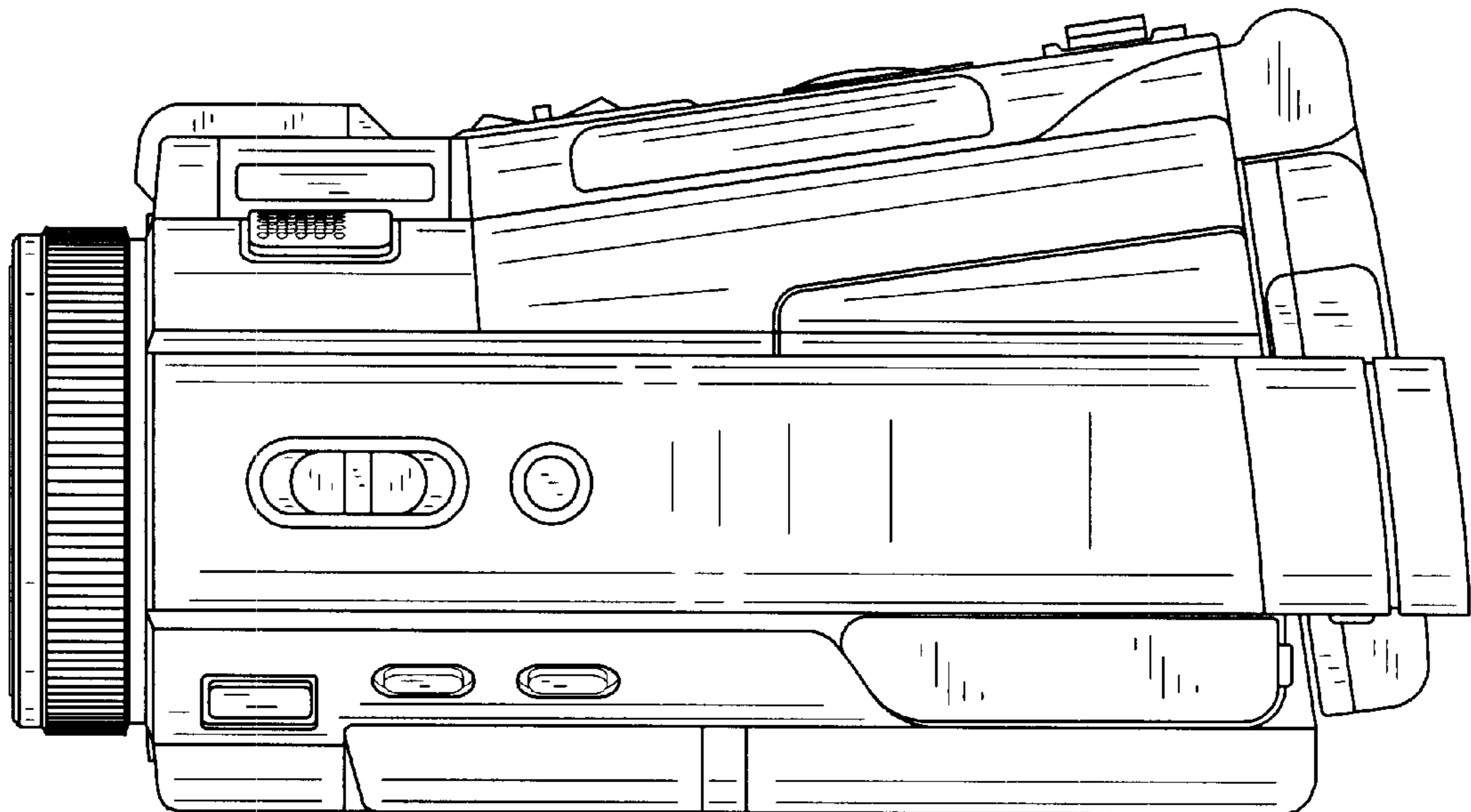


FIG. 8

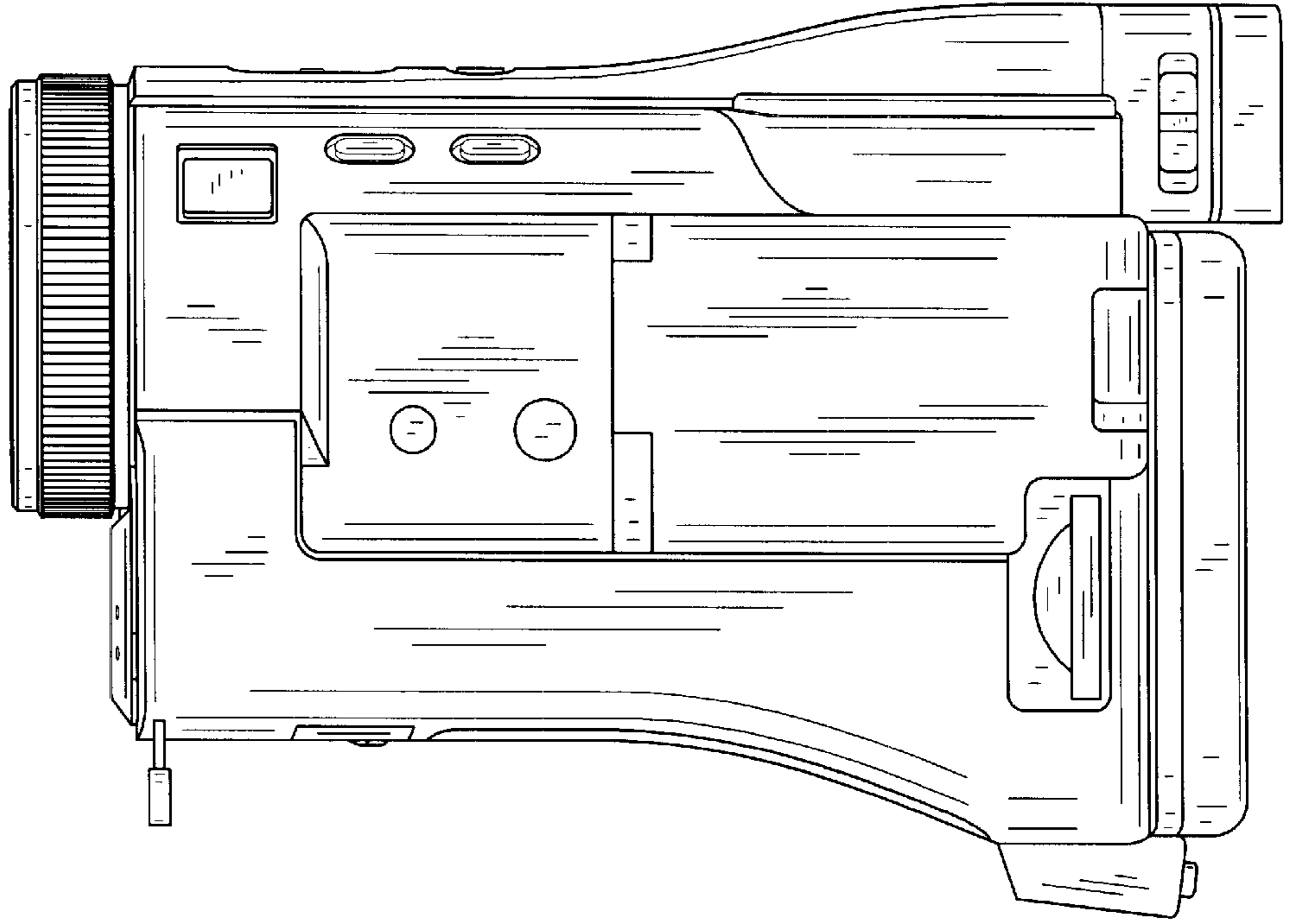


FIG. 7

