



US00D476021S

(12) **United States Design Patent**
Masano et al.

(10) **Patent No.:** **US D476,021 S**

(45) **Date of Patent:** **** Jun. 17, 2003**

(54) **COMBINED VIDEO CAMERA AND VIDEO TAPE RECORDER**

(75) Inventors: **Koji Masano**, Ehime (JP); **Shigetada Ninomiya**, Ehime (JP)

(73) Assignee: **Matsushita Electric Industrial Co., Ltd.**, Osaka (JP)

(**) Term: **14 Years**

(21) Appl. No.: **29/153,891**

(22) Filed: **Jan. 11, 2002**

(30) **Foreign Application Priority Data**

Jan. 11, 2002 (JP) 2001-021505

(51) **LOC (7) Cl.** **16-01**

(52) **U.S. Cl.** **D16/202**

(58) **Field of Search** D16/200-206, D16/208, 218; 348/373-376; 358/906; 396/535-541

(56) **References Cited**

U.S. PATENT DOCUMENTS

D410,662 S	*	6/1999	Harata	D16/202
D439,263 S	*	3/2001	Shiotani	D16/202
6,219,489 B1	*	4/2001	Ohta et al.	358/906
D441,385 S	*	5/2001	Miyashita	D16/202
D446,799 S	*	8/2001	Ohki et al.	D16/202
D456,434 S	*	4/2002	Yamazaki	D16/202

FOREIGN PATENT DOCUMENTS

WO DM/060131 * 7/2001 16/1

OTHER PUBLICATIONS

Digital Video Camera FV-10, Canon Inc. catalog, Jun. 2000.

“VL-MR1,” Sharp Corporation catalog, Oct. 2000.

Digital Handycam TRV 30, Sony Corporation catalog, May 2001.

* cited by examiner

Primary Examiner—Adir Aronovich

(74) *Attorney, Agent, or Firm*—Christensen O’Connor Johnson Kindness PLLC

(57) **CLAIM**

The ornamental design for a combined video camera and video tape recorder, shown and described.

DESCRIPTION

FIG. 1 is a perspective view of the bottom, front and right side of a combined video camera and video tape recorder showing our new design;

FIG. 2 is a front view thereof;

FIG. 3 is a rear view thereof;

FIG. 4 is a left side view thereof;

FIG. 5 is a right side view thereof;

FIG. 6 is a top plan view thereof;

FIG. 7 is a bottom view thereof;

FIG. 8 is a perspective view of the top, rear and left side thereof; and,

FIG. 9 is a perspective view thereof with a LCD monitor and a view finder in rotated condition.

1 Claim, 6 Drawing Sheets

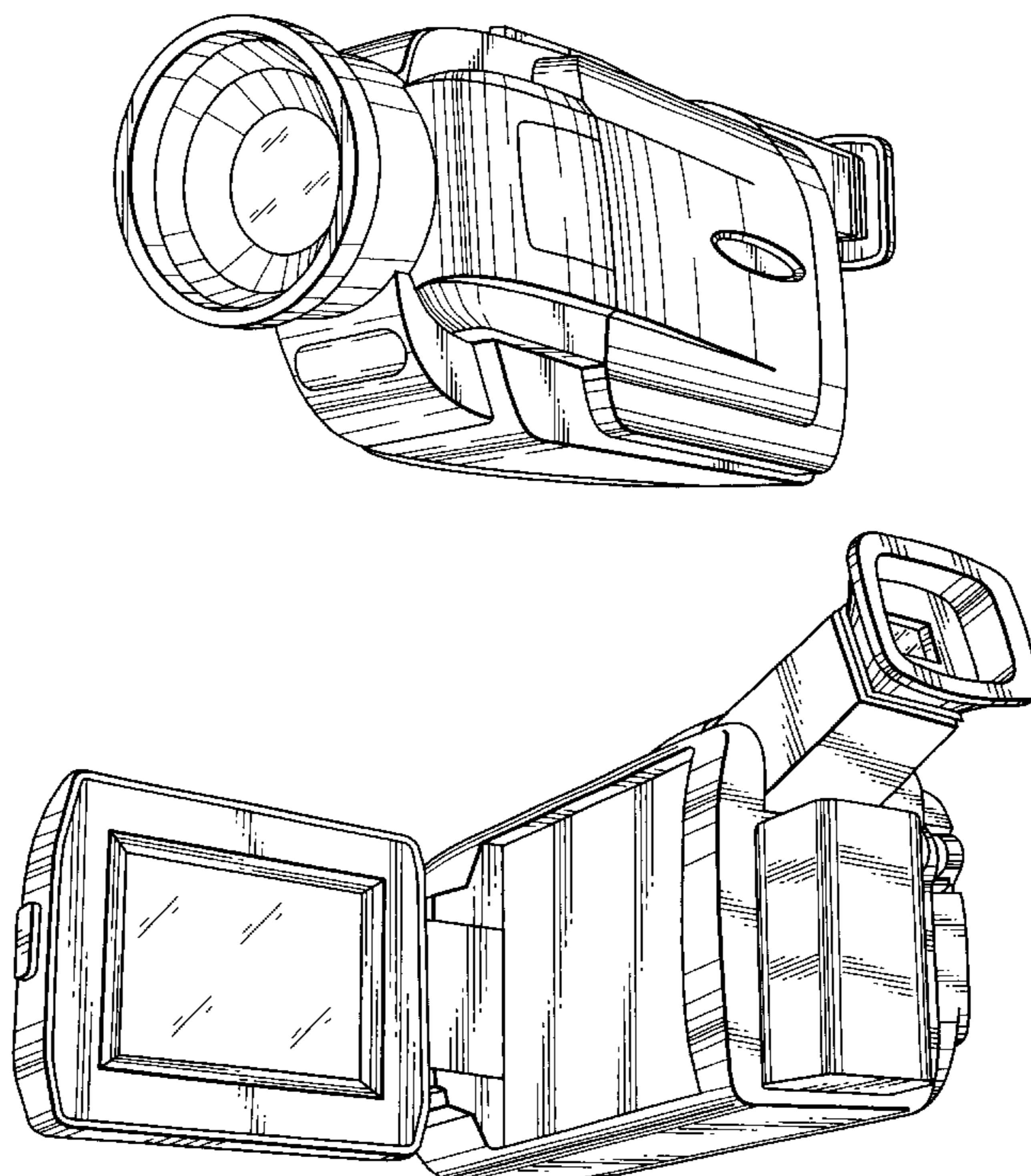


Fig. 1

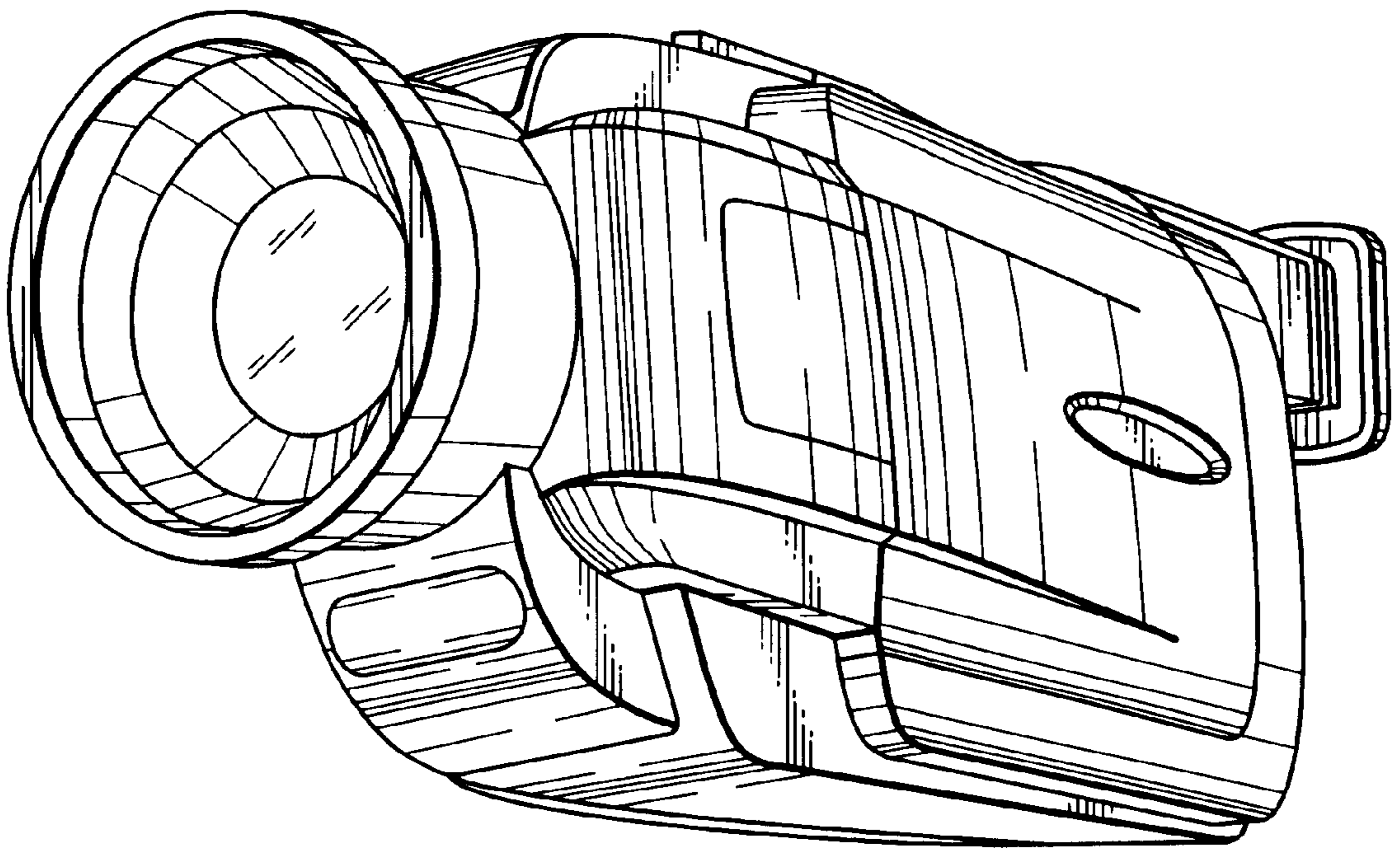


Fig. 2

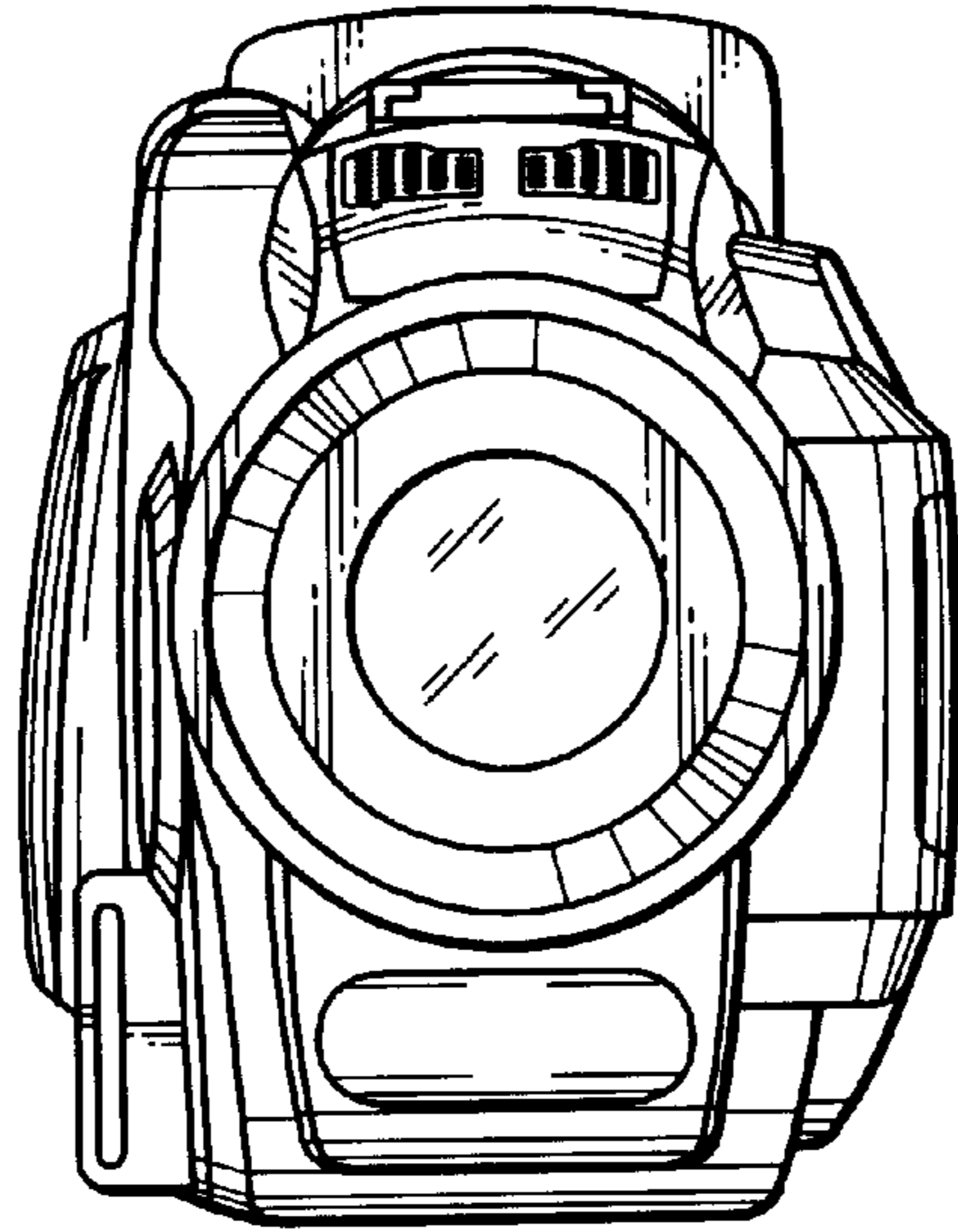


Fig. 3

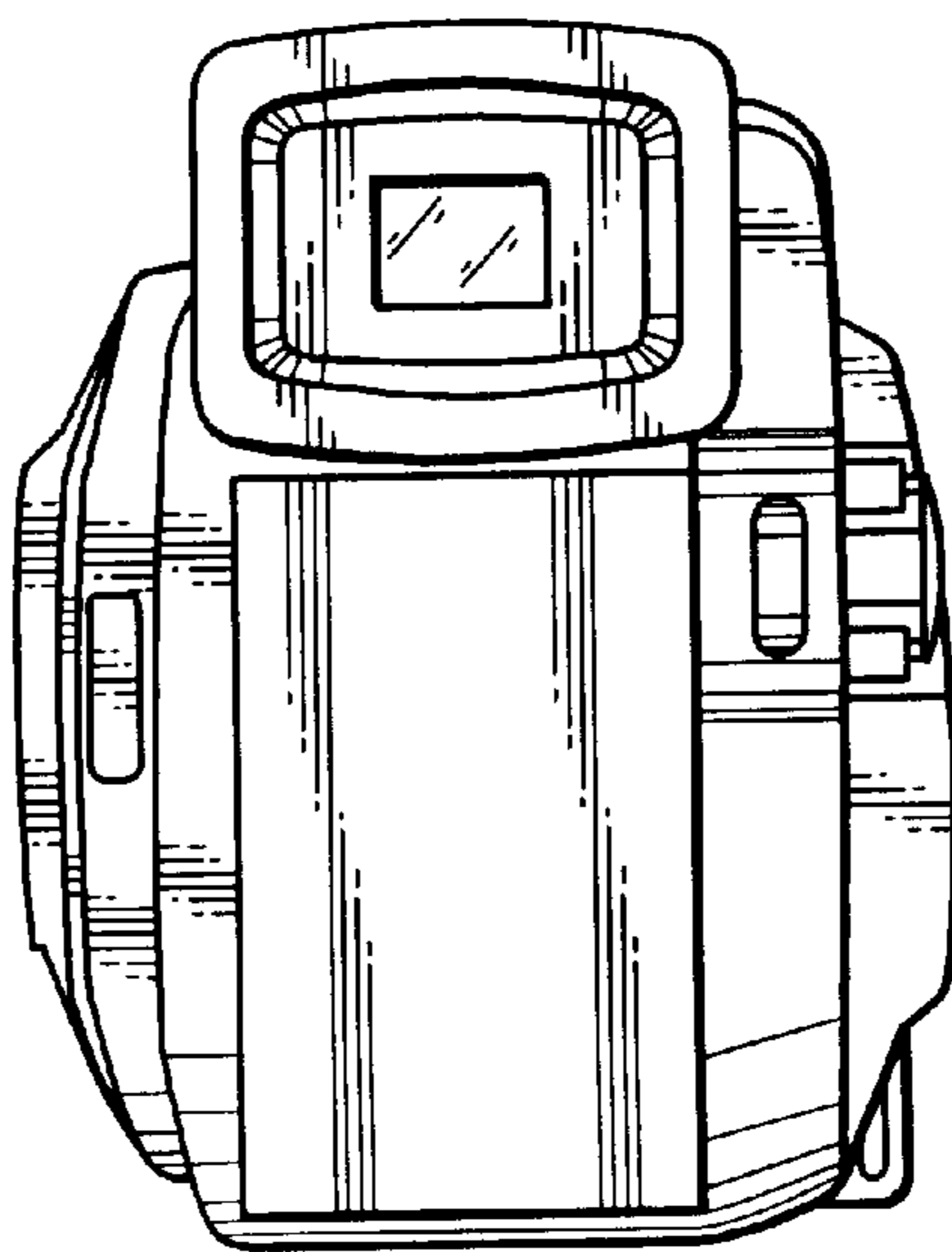


Fig. 4

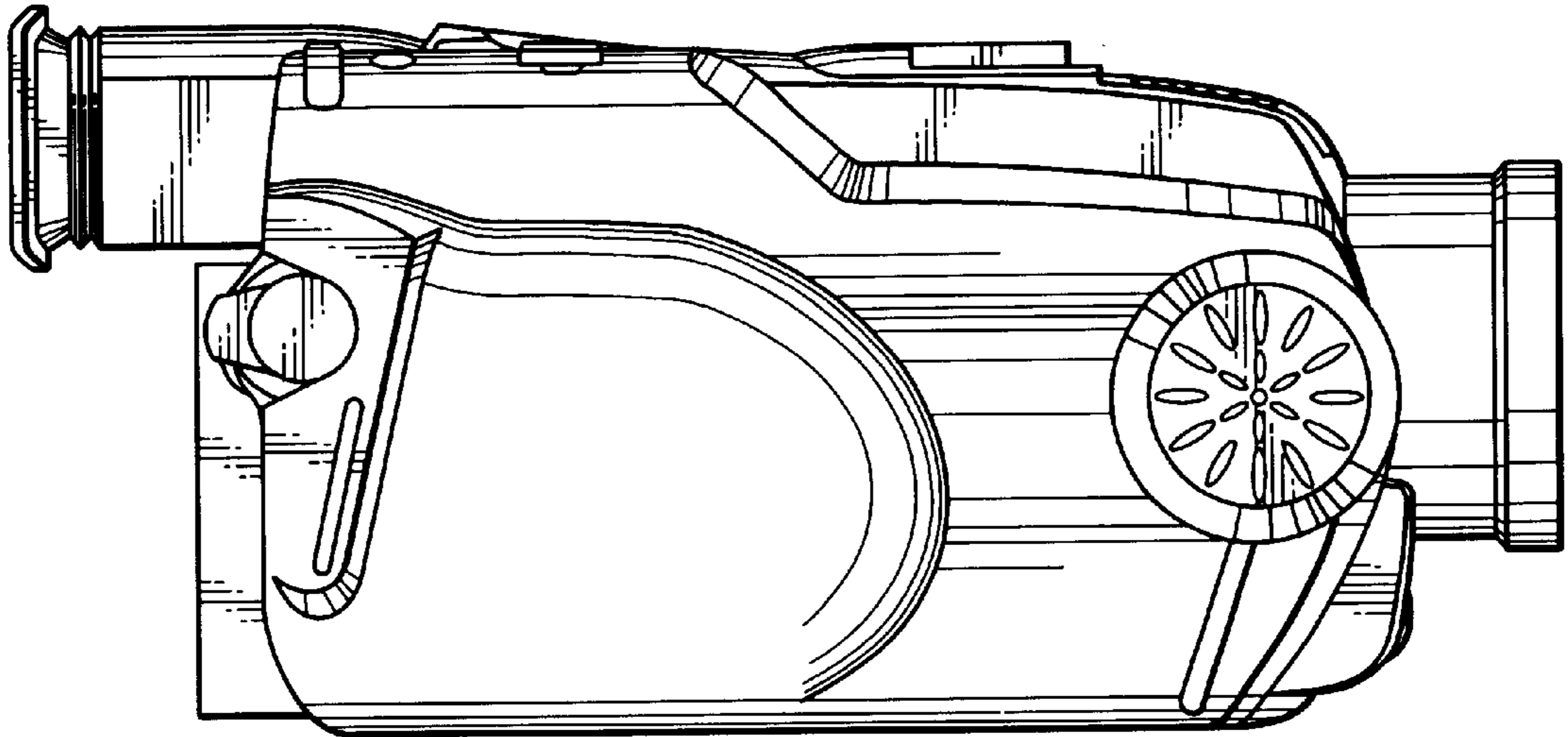


Fig. 5

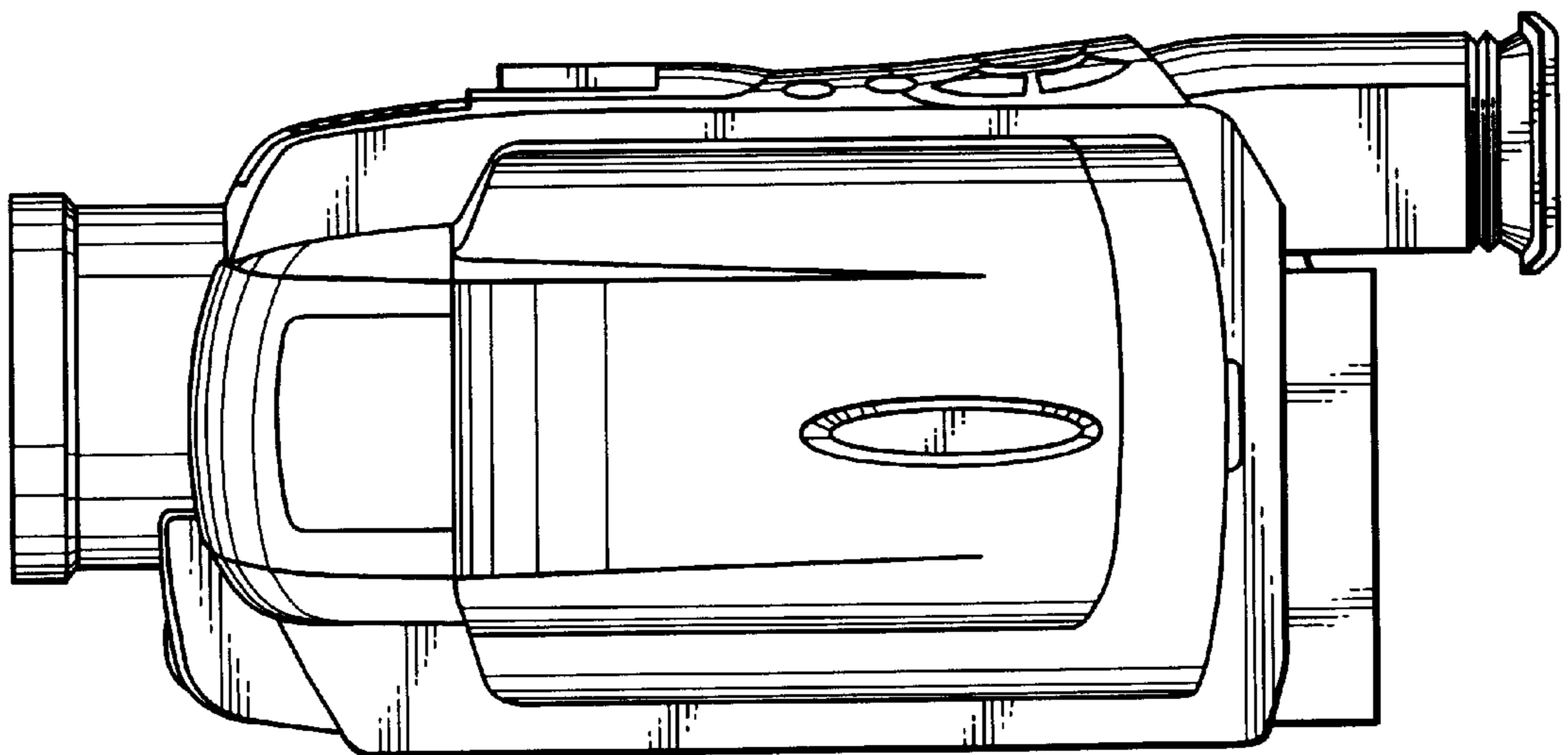


Fig. 6

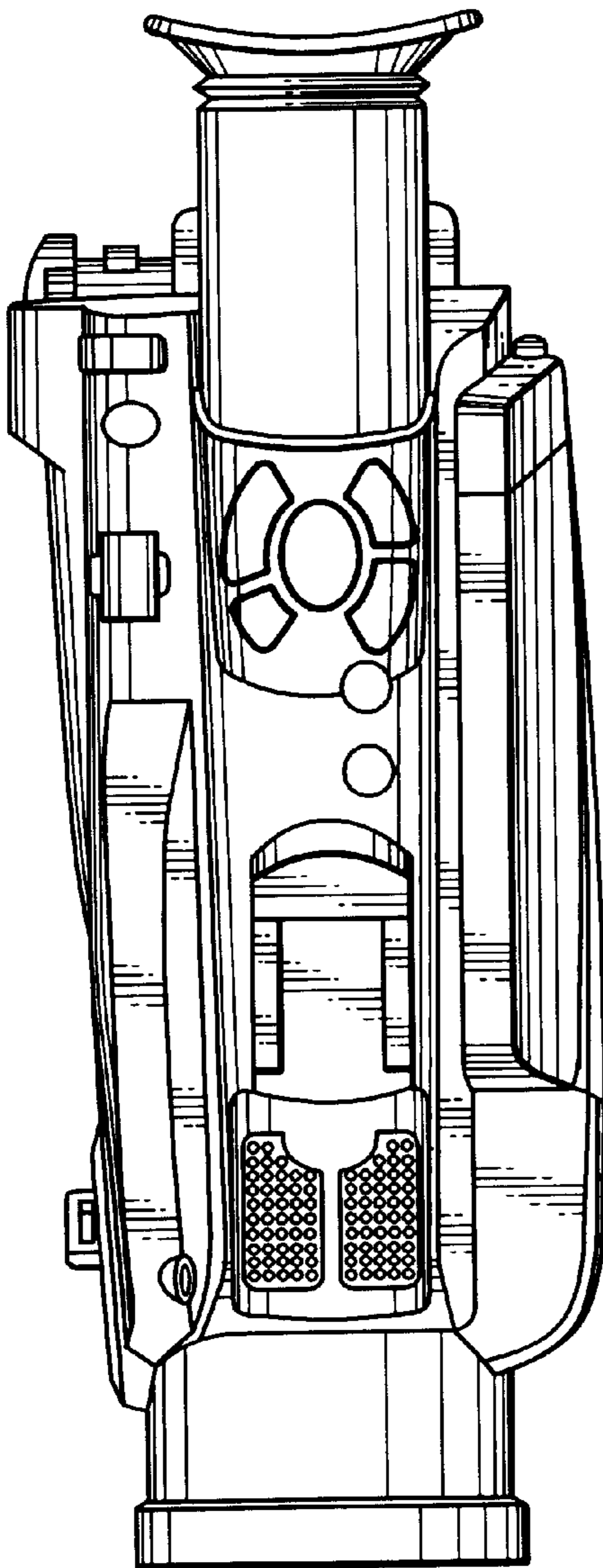


Fig. 7

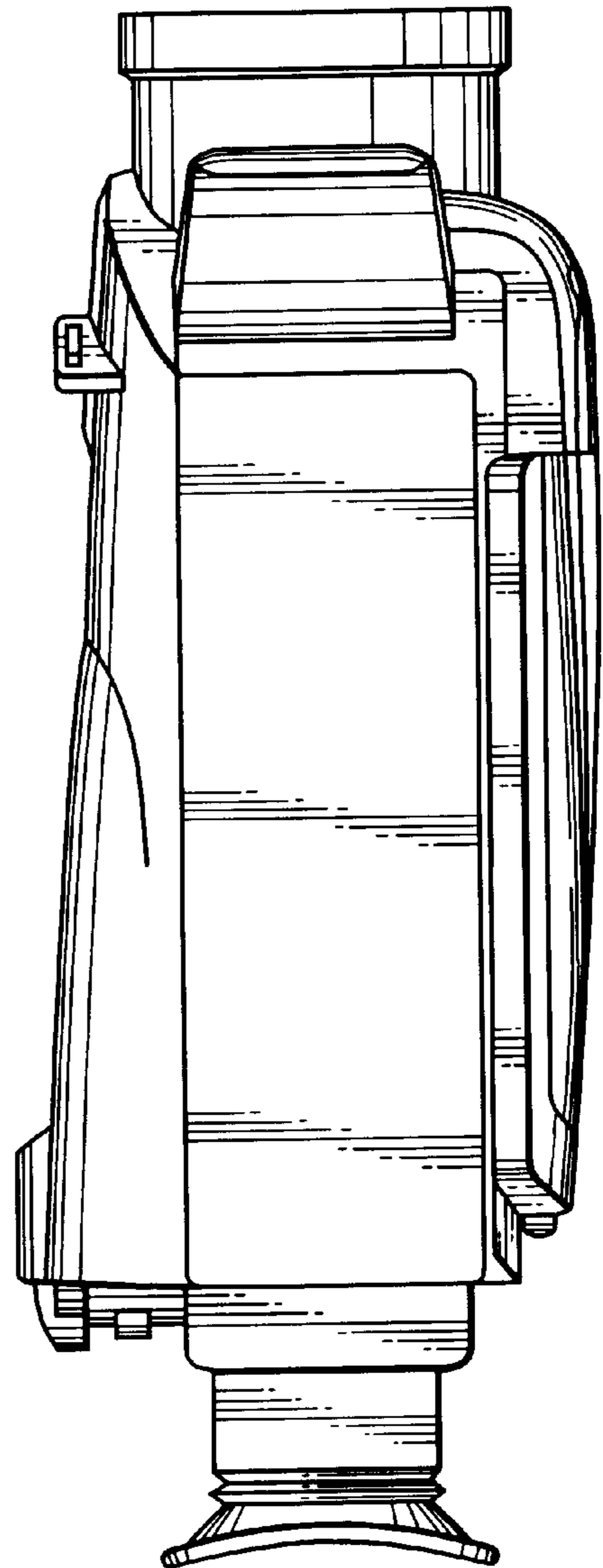


Fig. 8

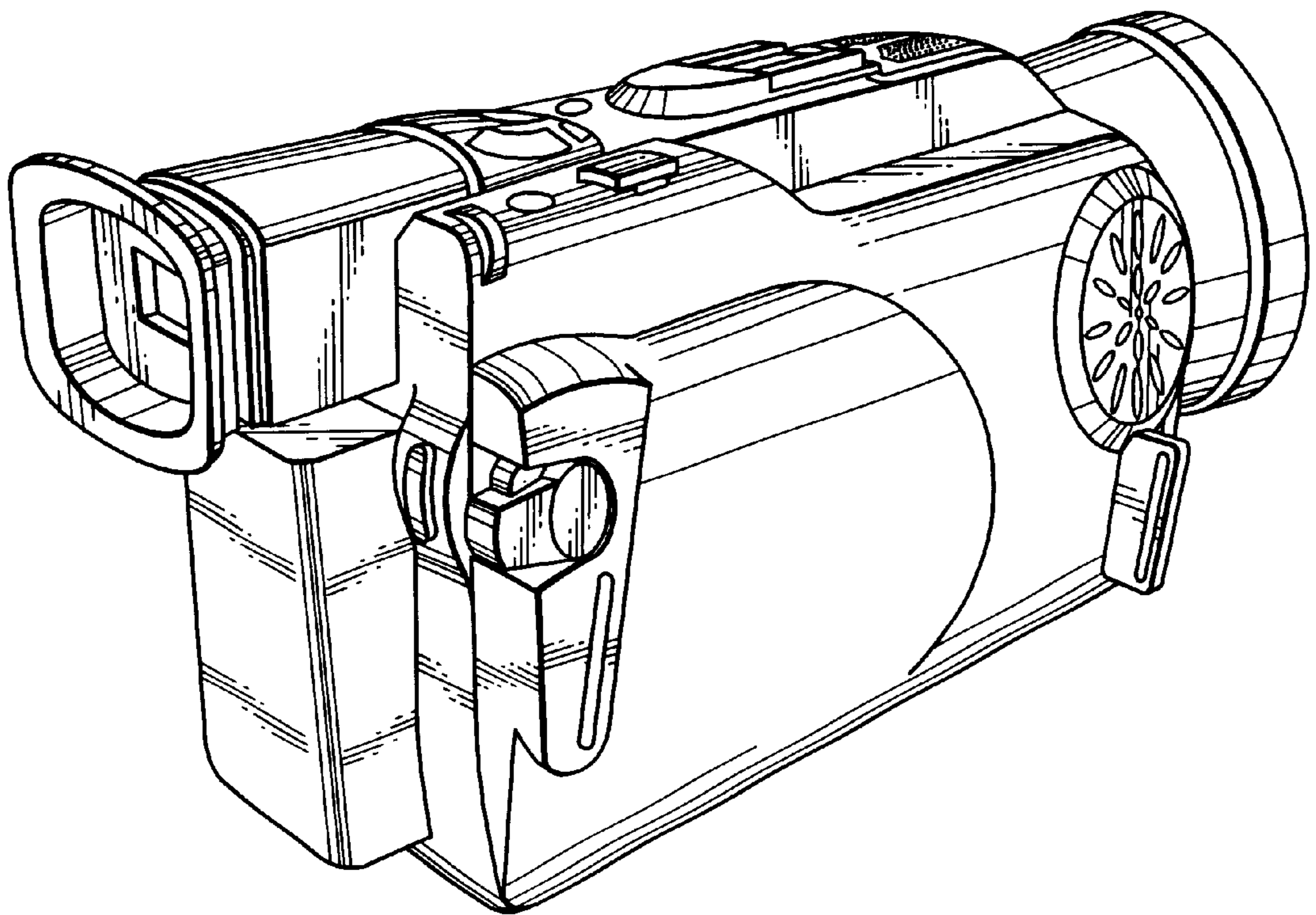
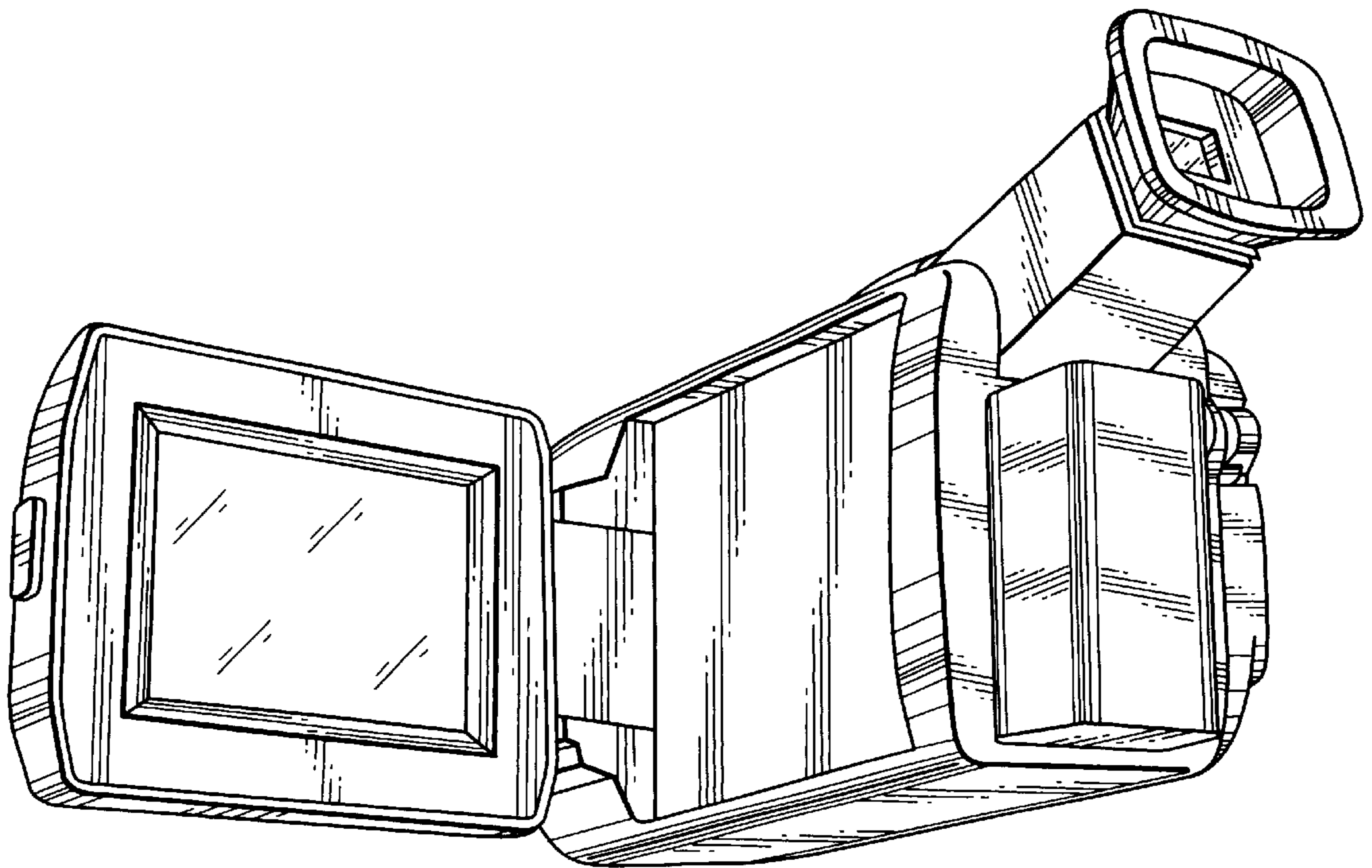


Fig. 9



UNITED STATES PATENT AND TRADEMARK OFFICE
CERTIFICATE OF CORRECTION

PATENT NO. : Des. 476,021 S
DATED : June 17, 2003
INVENTOR(S) : K. Masano et al.

Page 1 of 1

It is certified that error appears in the above-identified patent and that said Letters Patent is hereby corrected as shown below:

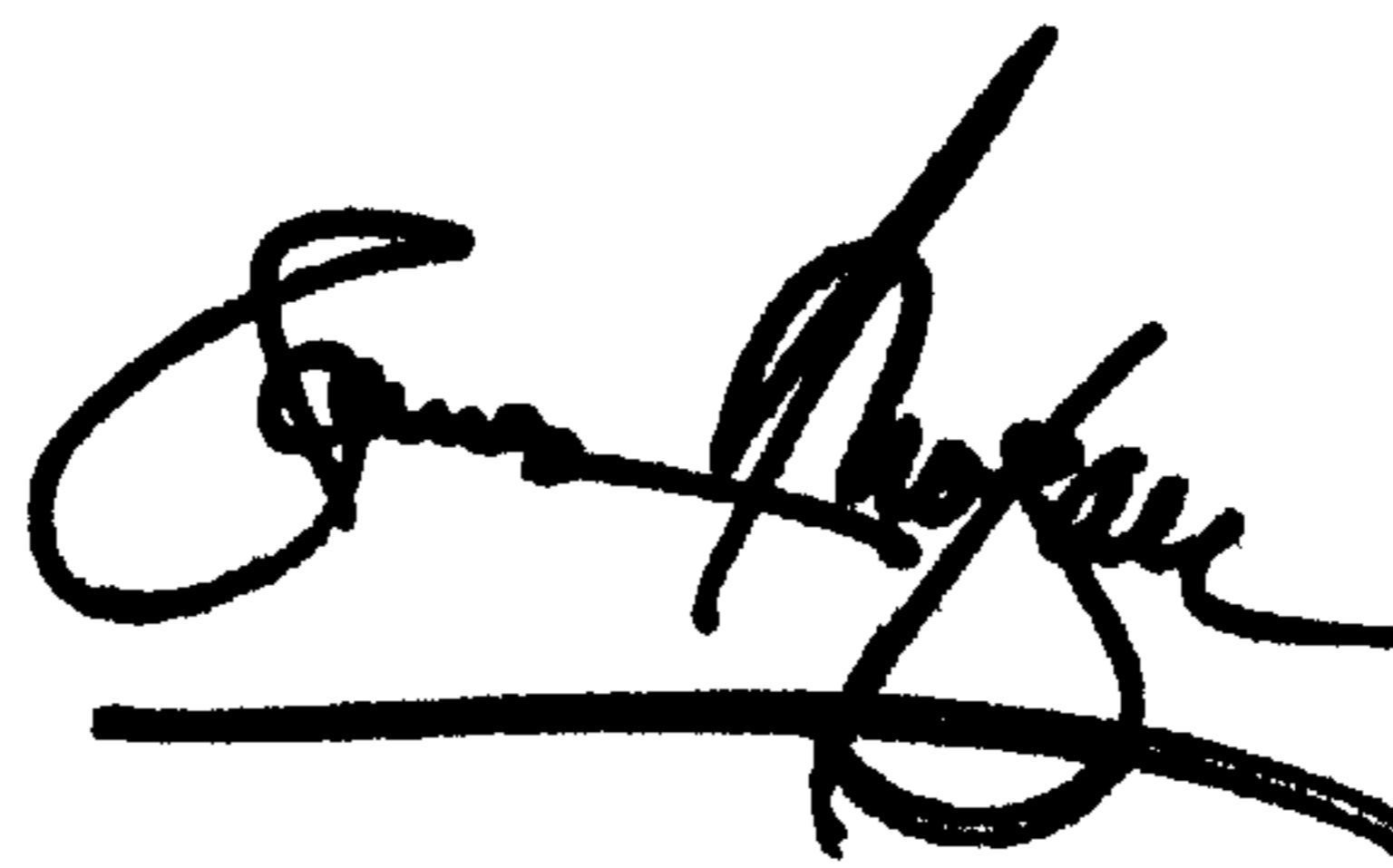
Title page,

Item [30], **Foreign Application Priority Data**, "Jan. 11, 2002" should read
-- Jul. 24, 2001 --

Item [74], *Attorney, Agent, or Firm* "PPLC" should read -- PLLC --

Signed and Sealed this

Sixth Day of January, 2004

A handwritten signature in black ink, appearing to read "James E. Rogan", with a horizontal line underneath it.

JAMES E. ROGAN
Director of the United States Patent and Trademark Office