



US00D476018S

(12) **United States Design Patent**  
**Hayashi et al.**

(10) **Patent No.:** **US D476,018 S**

(45) **Date of Patent:** **\*\* Jun. 17, 2003**

(54) **PAD FOOT FOR ROLLER**

D365,827 S \* 1/1996 Chandler ..... D15/28

(75) Inventors: **Toshikazu Hayashi**, Adairsville, GA  
(US); **Daichi Shibata**, Adairsville, GA  
(US)

\* cited by examiner

*Primary Examiner*—Mitchell Siegel  
(74) *Attorney, Agent, or Firm*—Sughrue Mion, PLLC

(73) Assignee: **Sakai Heavy Industries, Ltd.**, Tokyo  
(JP)

(57) **CLAIM**

(\*\*) Term: **14 Years**

The ornamental design for a pad foot for a roller, as shown and described.

(21) Appl. No.: **29/163,544**

**DESCRIPTION**

(22) Filed: **Jul. 9, 2002**

FIG. 1 is a front elevational view of a pad foot for a roller, showing a new design;

(51) **LOC (7) Cl.** ..... **15-03**

FIG. 2 is a side elevational view thereof;

(52) **U.S. Cl.** ..... **D15/28**

FIG. 3 is a top plan view thereof;

(58) **Field of Search** ..... D15/10, 20, 21,  
D15/28, 29; 404/121–124, 117; 305/35 R,  
39, 54, 58 B; D12/604; 301/43

FIG. 4 is a bottom plan view thereof;

FIG. 5 is a perspective view thereof;

FIG. 6 is a vertical cross-sectional view thereof taken along line 6—6 of FIG. 2;

(56) **References Cited**

**U.S. PATENT DOCUMENTS**

3,650,185 A	*	3/1972	Takata	.....	404/121
4,074,942 A	*	2/1978	Cochran	.....	404/121
4,302,129 A	*	11/1981	Arenz	.....	404/117
4,530,620 A	*	7/1985	McCartney	.....	404/121
4,919,566 A	*	4/1990	Caron et al.	.....	404/121
D325,209 S	*	4/1992	Rollinson	.....	D15/28
D338,898 S	*	8/1993	Corcoran et al.	.....	D15/28
D359,054 S	*	6/1995	Gale et al.	.....	D15/28

FIG. 7 is a vertical cross-sectional view thereof taken along line 7—7 of FIG. 1; and,

FIG. 8 is a reduced perspective view.

The roller is shown in FIG. 8 for illustrative purposes only and forms no part of the claimed design.

The left and right sides of the claimed design are identical, so that duplicate provision of the side views is omitted. The front and rear elevations thereof are also identical, so that the rear elevational view thereof is omitted.

**1 Claim, 5 Drawing Sheets**

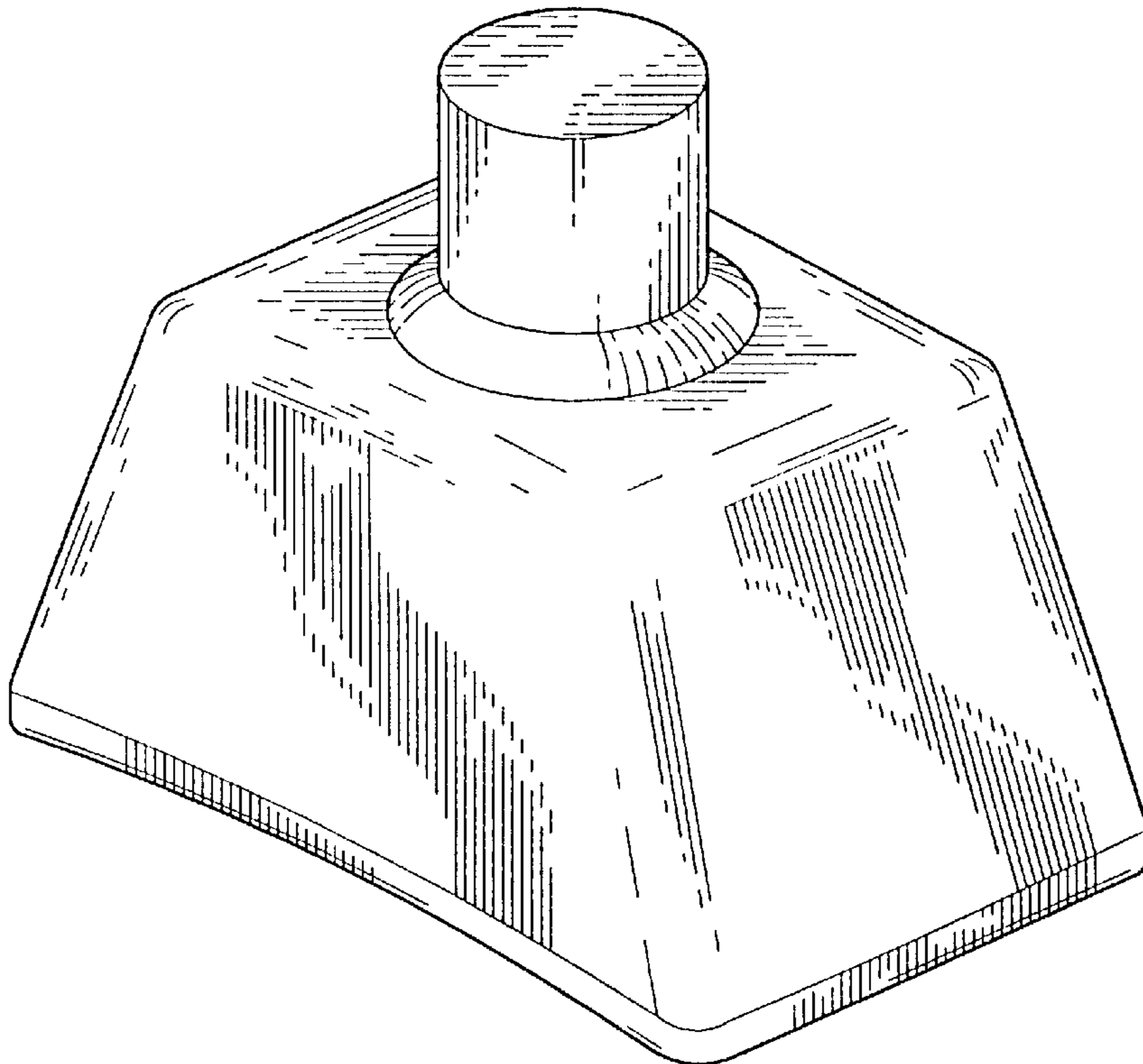


FIG. 1

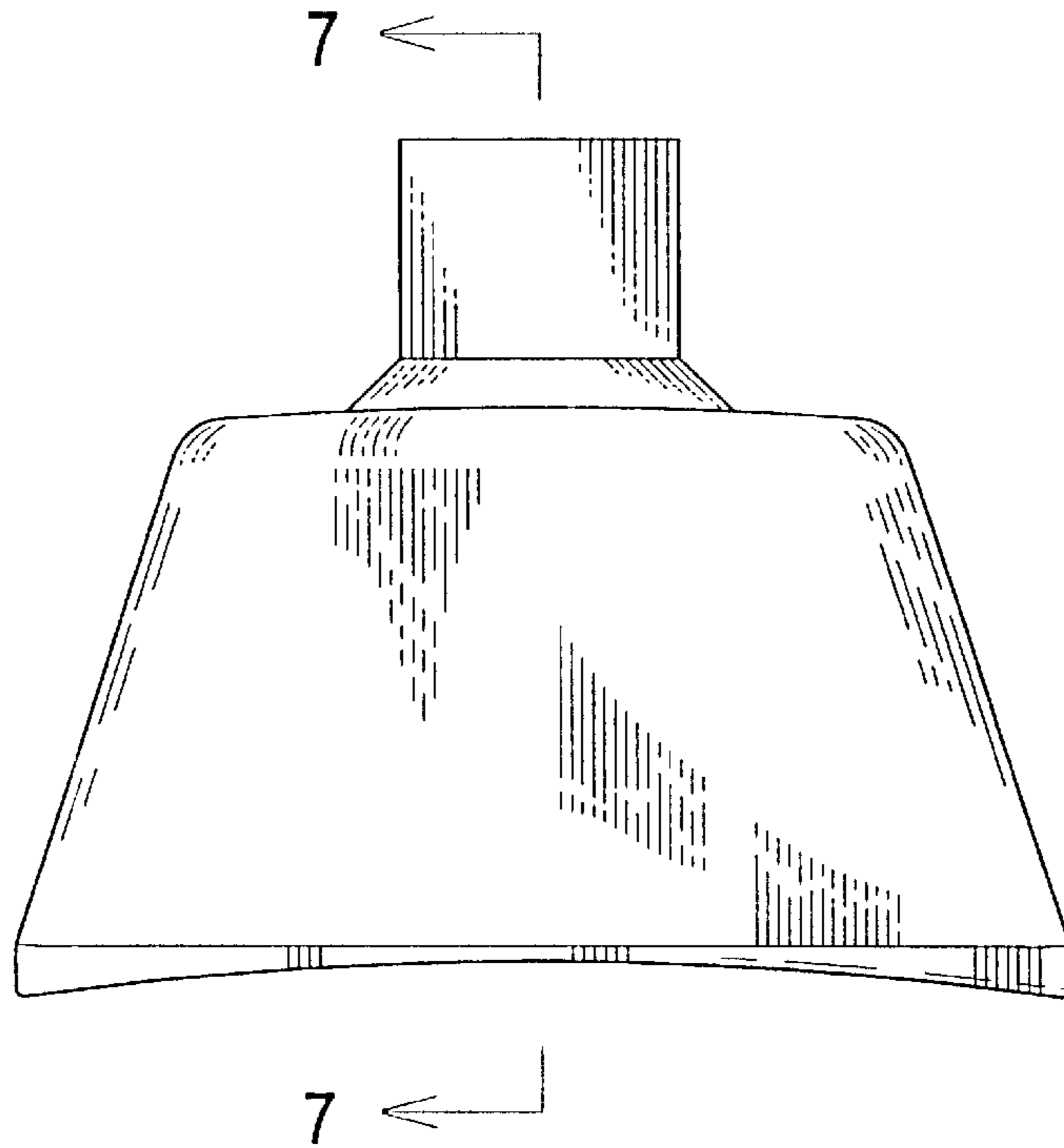


FIG. 2

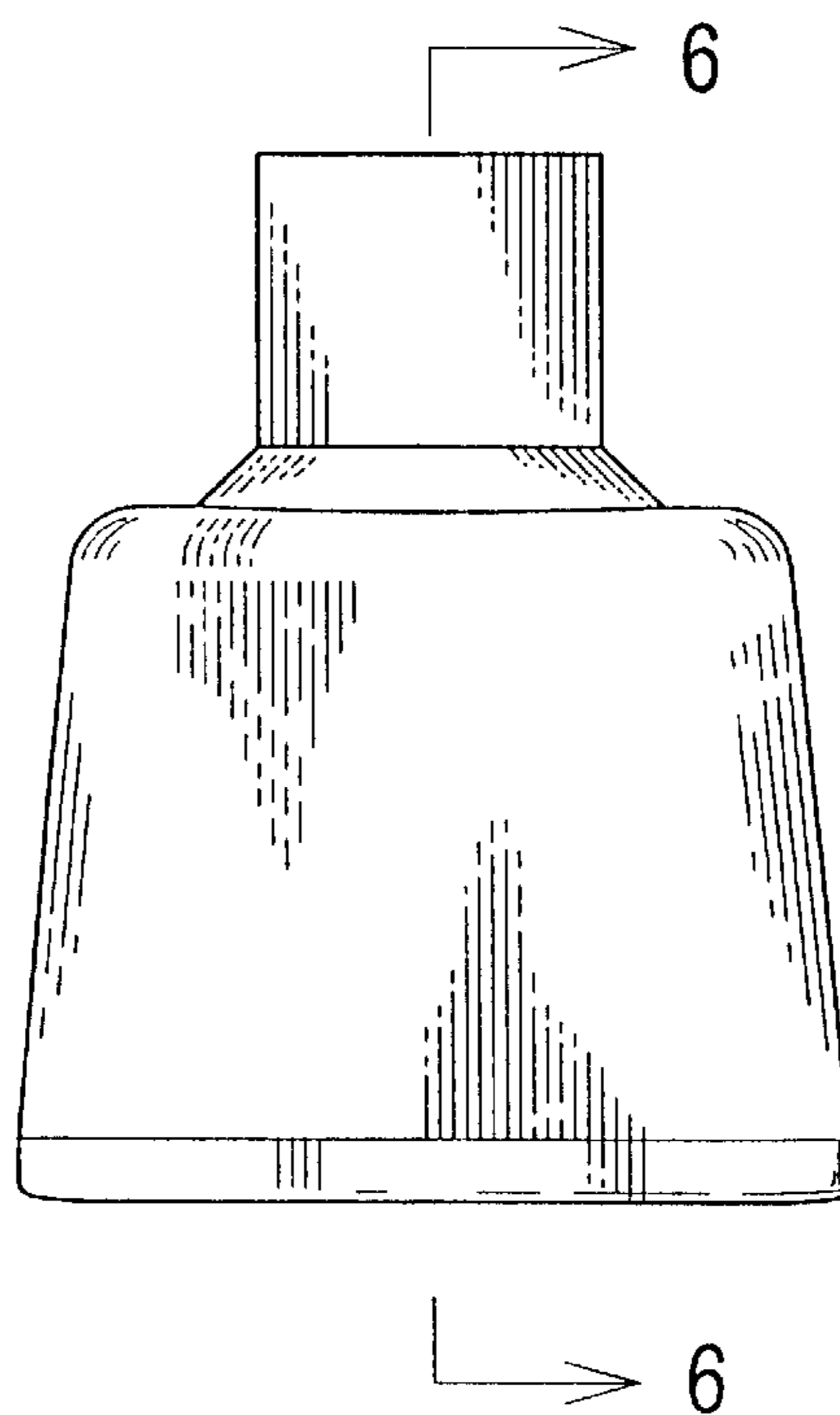


FIG. 3

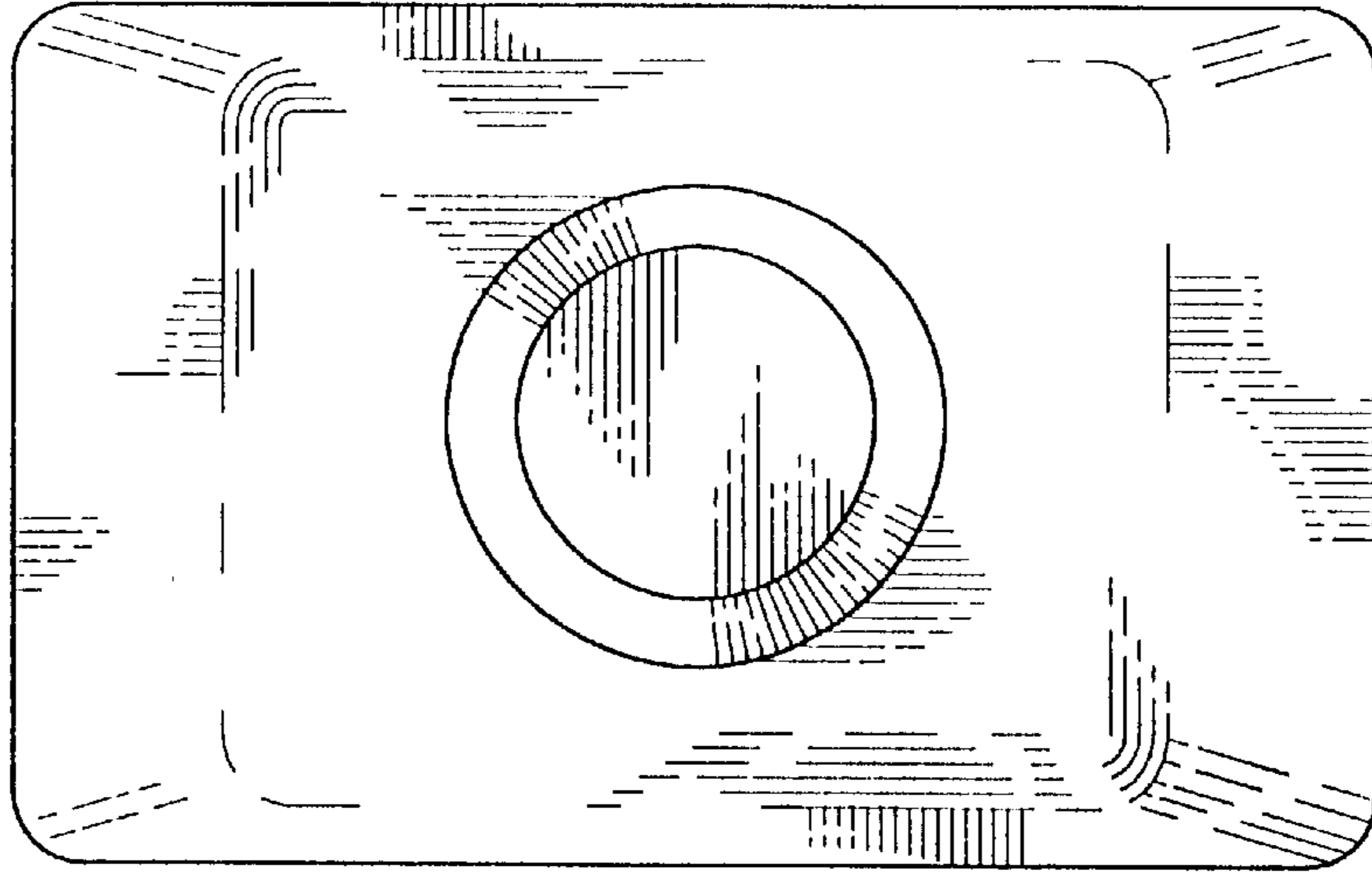


FIG. 4

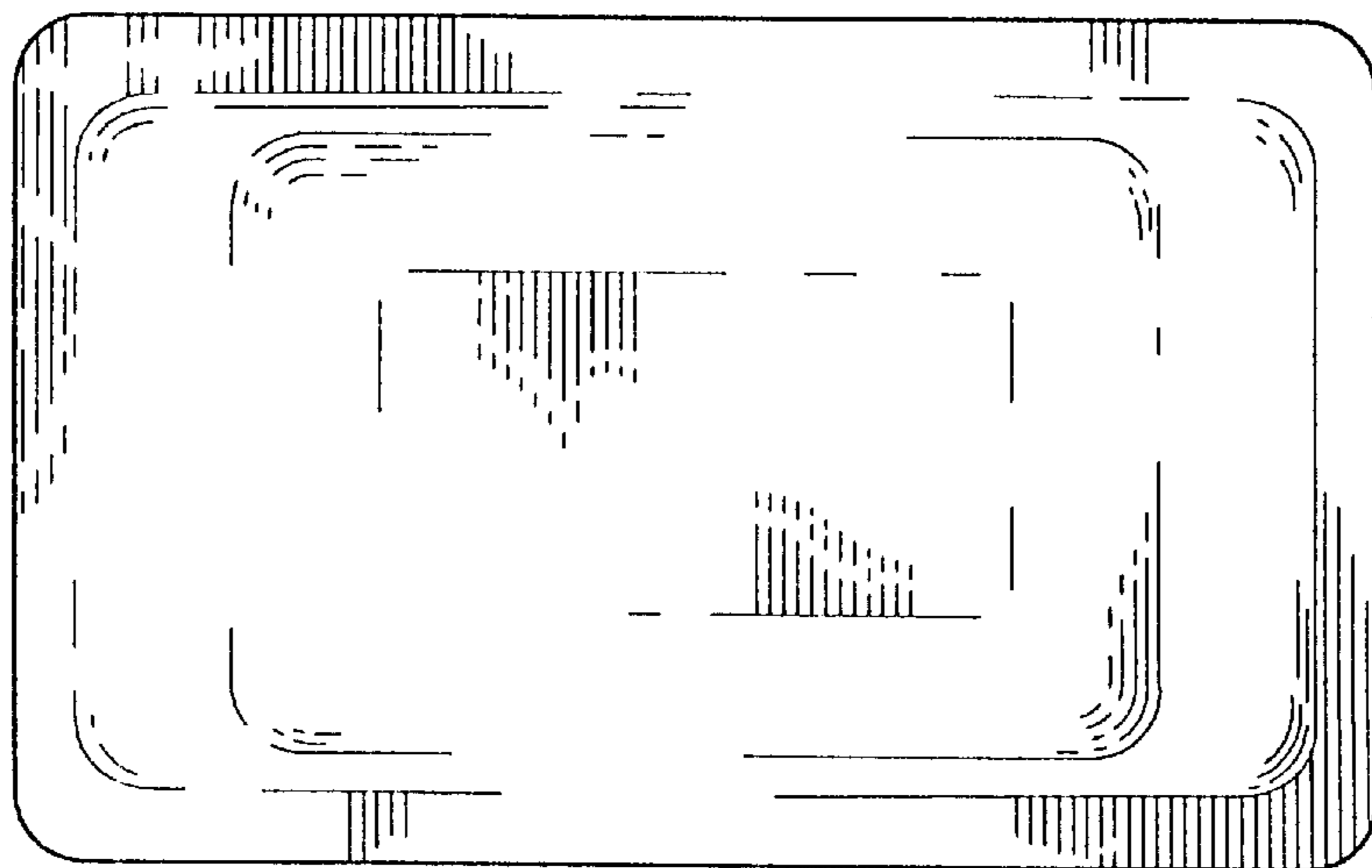


FIG. 5

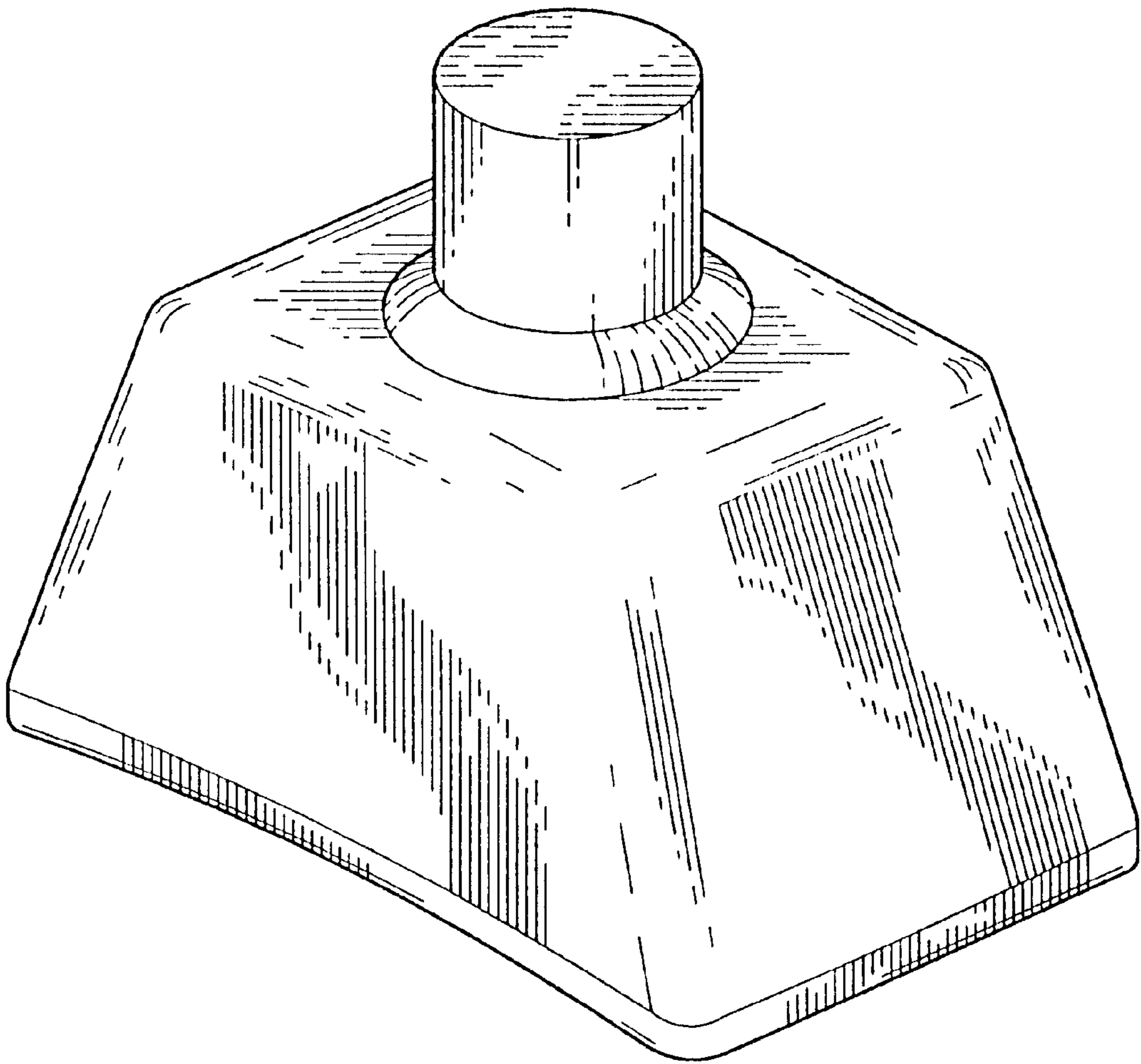


FIG. 6

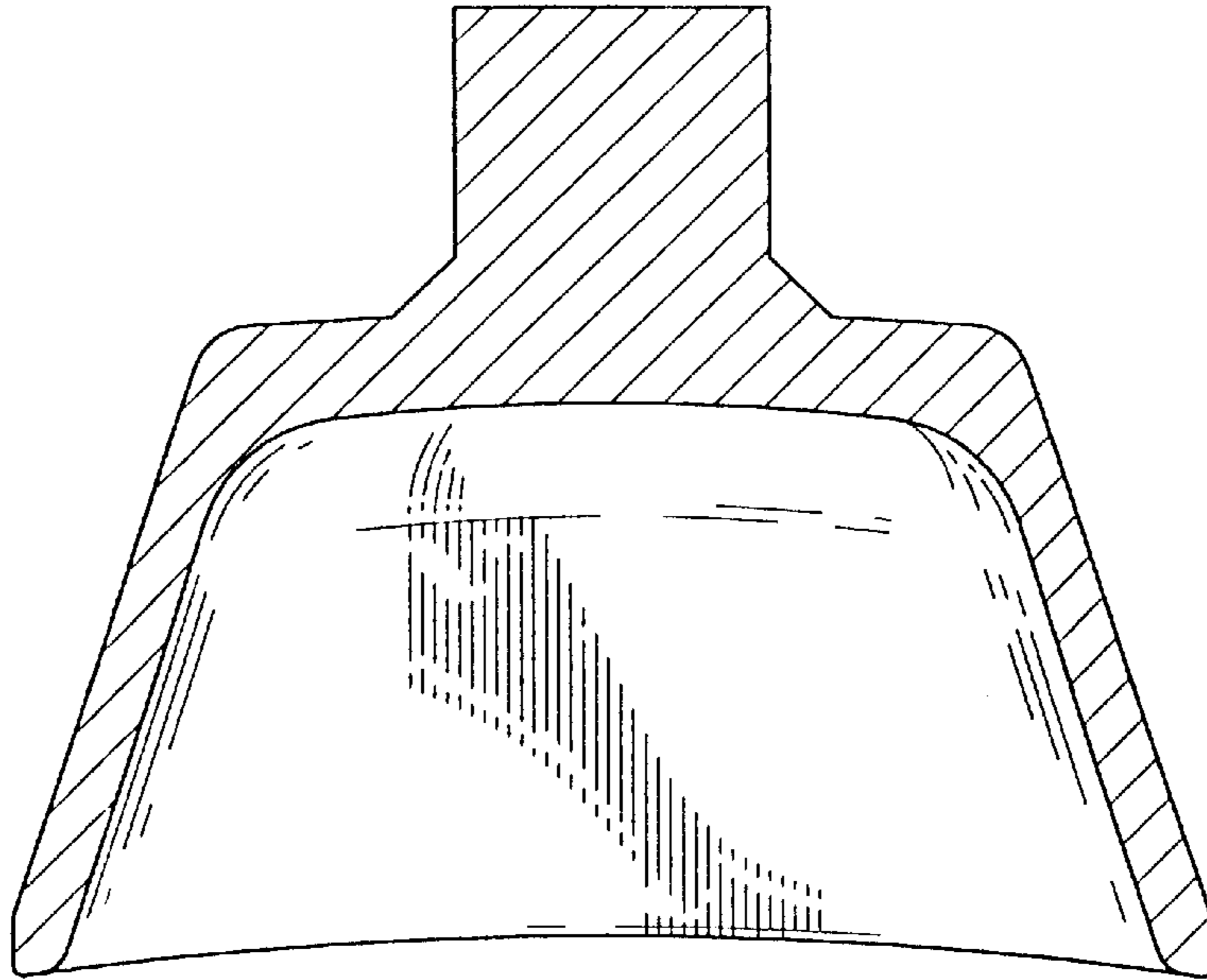


FIG. 7

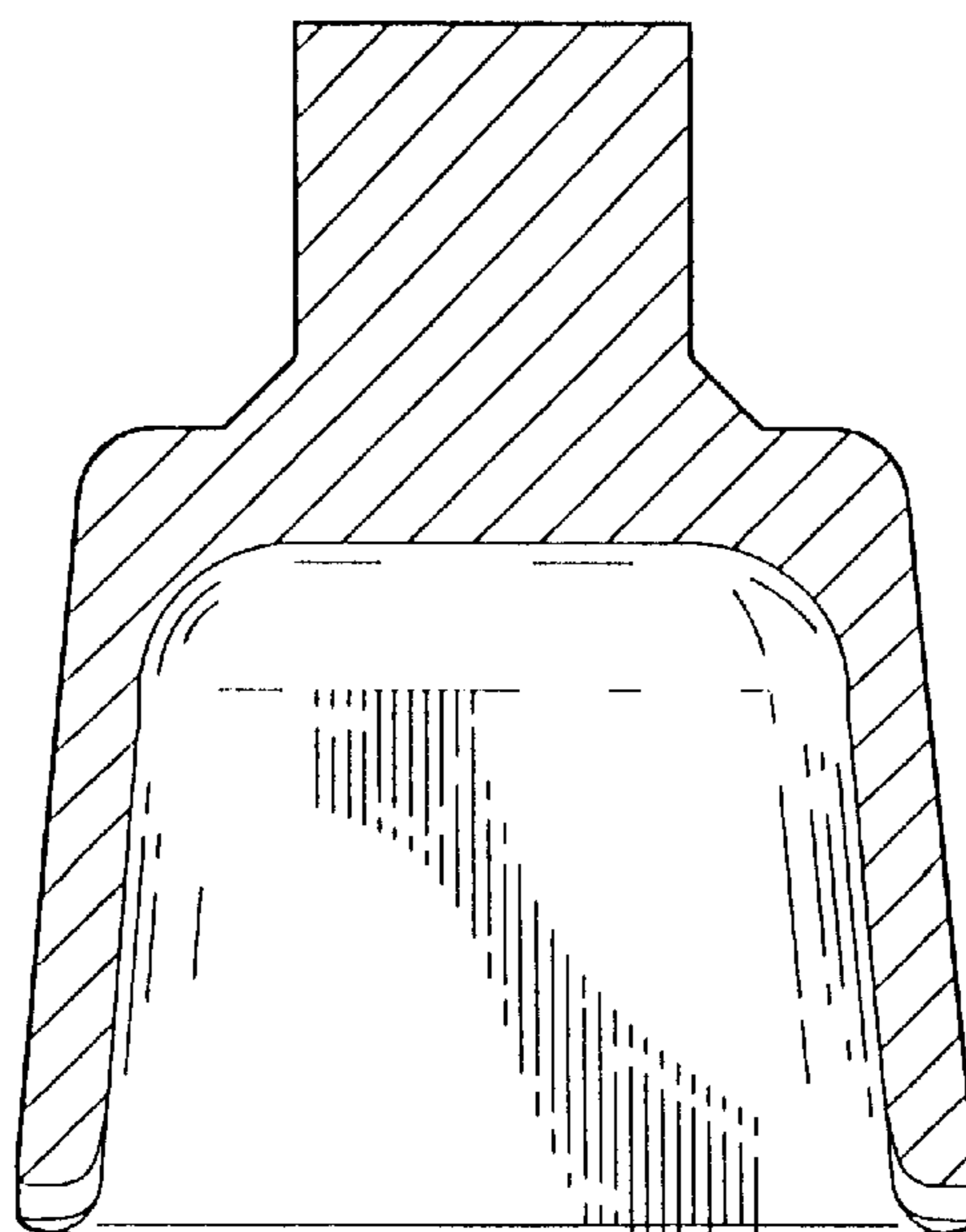




FIG. 8

