



US00D476009S

(12) **United States Design Patent**
Dearborn et al.

(10) **Patent No.: US D476,009 S**

(45) **Date of Patent: ** Jun. 17, 2003**

(54) **COMPUTER SYSTEM STATUS DISPLAY**

(75) Inventors: **Timothy C. Dearborn**, Austin, TX
(US); **Shawn P. Hoss**, Round Rock, TX
(US)

(73) Assignee: **Dell Products, L.P.**, Round Rock, TX
(US)

(**) Term: **14 Years**

(21) Appl. No.: **29/143,122**

(22) Filed: **Jun. 7, 2001**

(51) **LOC (7) Cl. 14-02**

(52) **U.S. Cl. D14/432**

(58) **Field of Search** D14/441-446,
D14/239, 371, 432; D13/162, 184, 199;
312/223.2; 361/680-686, 690-696; 340/691.1

(56) **References Cited**

U.S. PATENT DOCUMENTS

- D360,411 S * 7/1995 Sharp et al. D14/445
- 5,519,832 A 5/1996 Warchol
- 5,880,955 A 3/1999 Matoba et al.
- D411,178 S 6/1999 Ikenaga
- D412,497 S 8/1999 Lai
- 5,954,827 A 9/1999 Frank et al.
- D416,009 S 11/1999 Lai
- 5,995,012 A 11/1999 Lee et al.
- D431,243 S 9/2000 Oba
- D432,134 S 10/2000 Leman

- D435,559 S * 12/2000 Tanaka D14/444
- D436,952 S 1/2001 Goto
- D436,953 S 1/2001 Matsuoka
- D437,325 S * 2/2001 Searby et al. D14/445
- D440,572 S 4/2001 Jean et al.

* cited by examiner

Primary Examiner—Freda Nunn

(74) *Attorney, Agent, or Firm*—Baker Botts L.L.P.

(57) **CLAIM**

The ornamental design for a computer system status display, as shown and described.

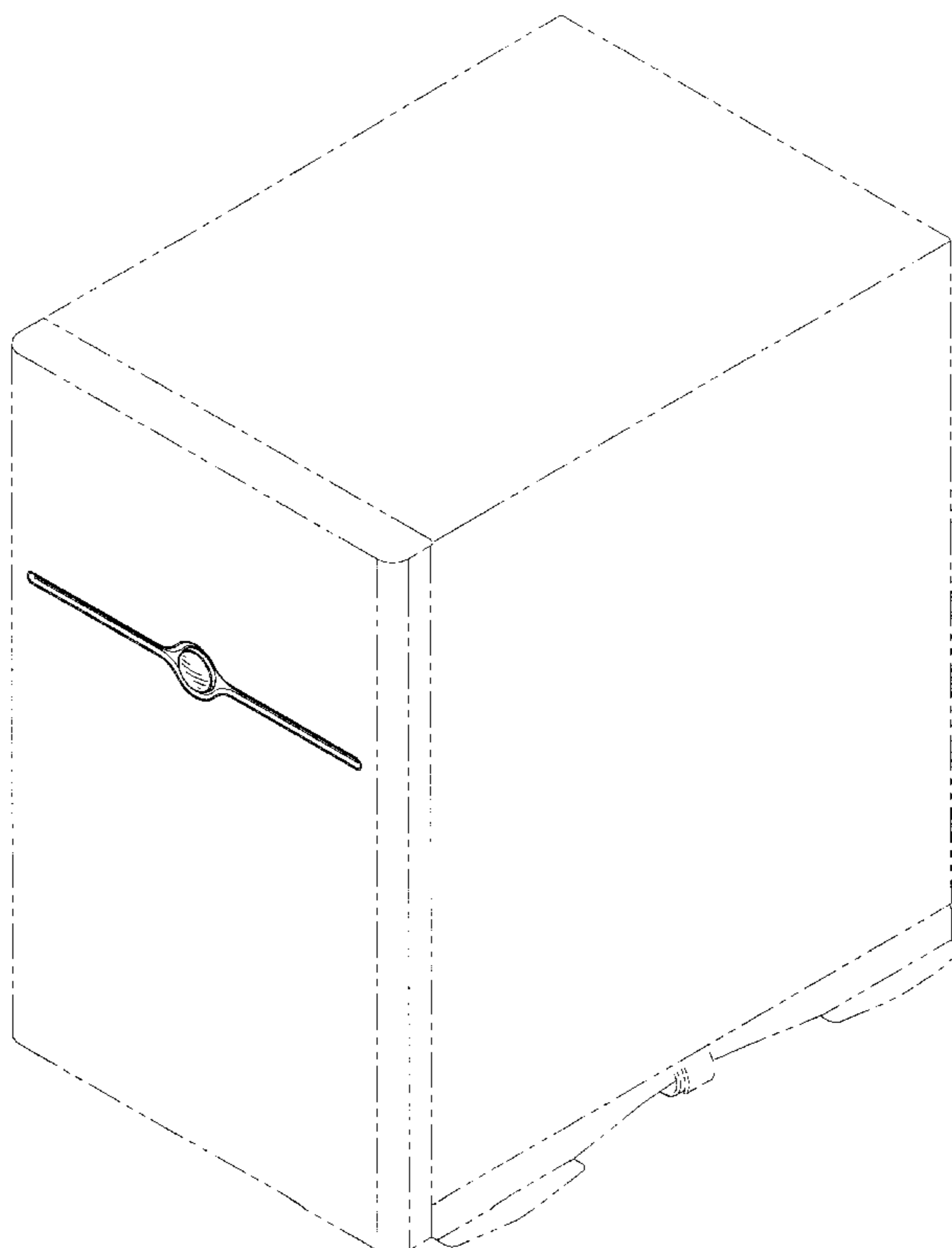
DESCRIPTION

This application is related to U.S. utility patent application titled "System and Method for Displaying Computer System Status Information" by Timothy C. Dearborn and Shawn P. Hoss, U.S. application Ser. No. 09/876,594, which is filed concurrently herewith and which is incorporated herein by reference in its entirety for all purposes.

FIG. 1 is a front elevational view of a computer system status display wherein the computer system is shown in broken lines for illustrative purposes only and forms no part of the claimed design; and,

FIG. 2 is a perspective view of the computer system status display wherein the computer system is shown in broken lines for illustrative purposes only and forms no part of the claimed design.

1 Claim, 2 Drawing Sheets



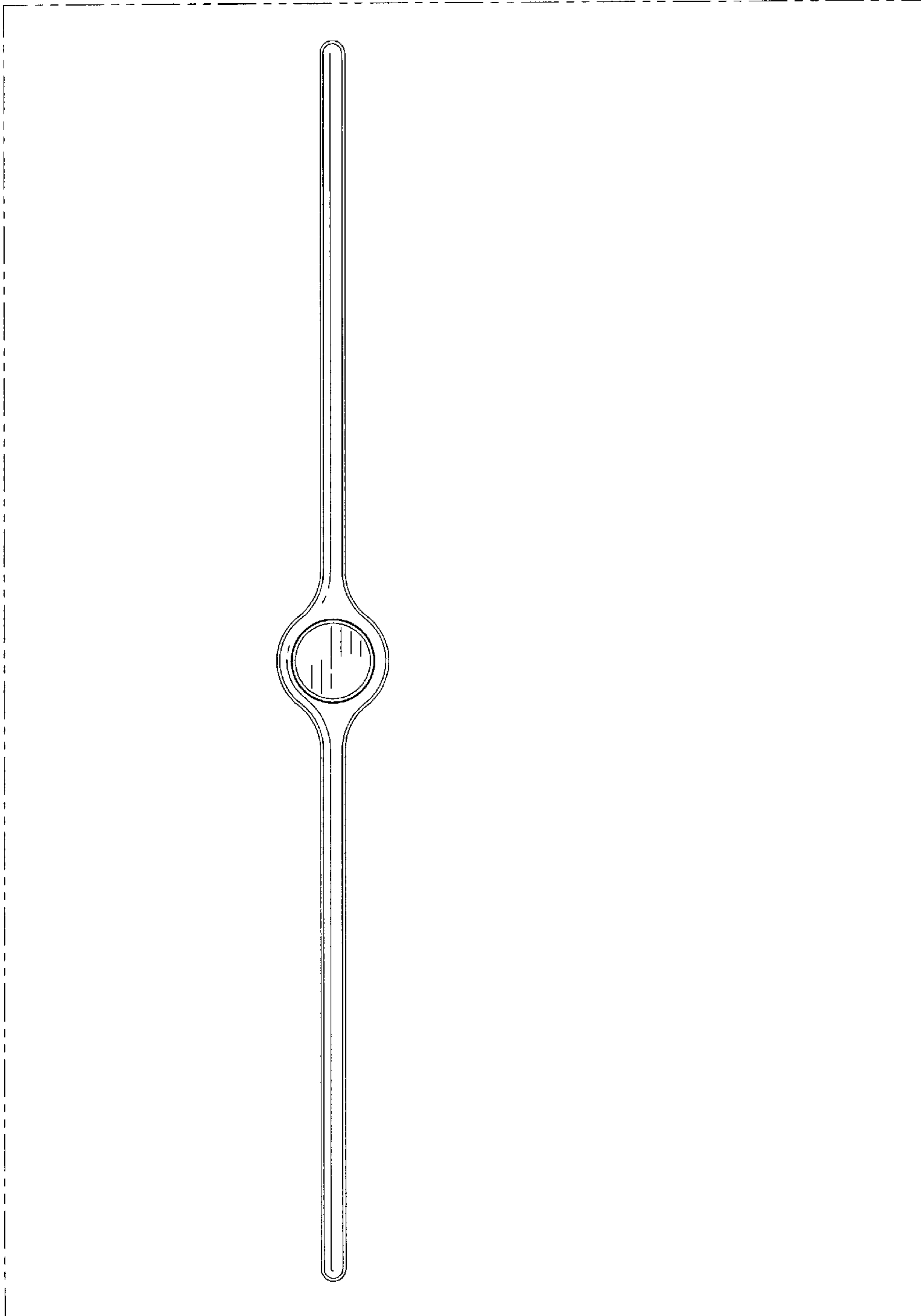


FIG. 1

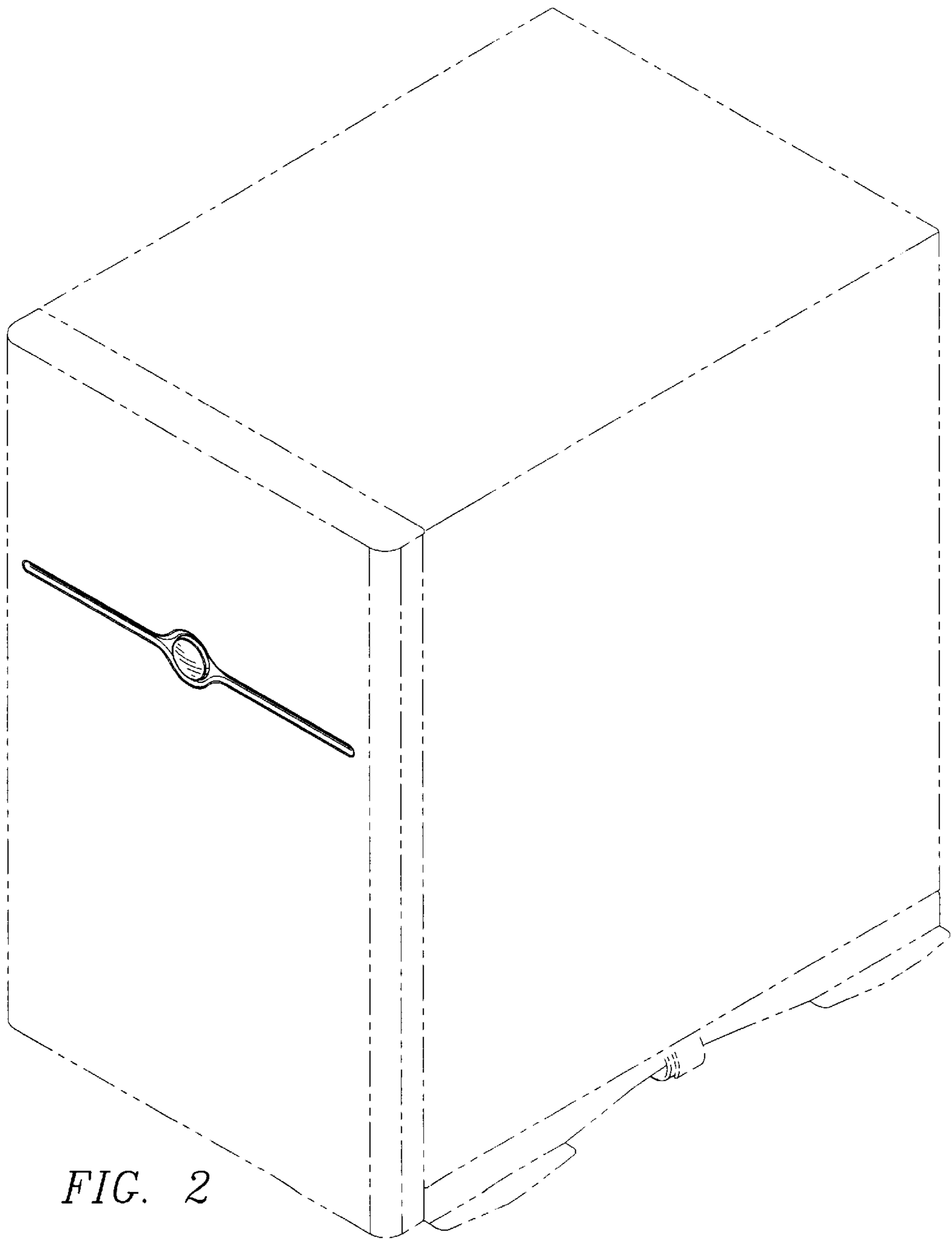


FIG. 2