



US00D476008S

(12) **United States Design Patent**
Adachi et al.

(10) **Patent No.:** **US D476,008 S**
(45) **Date of Patent:** **** Jun. 17, 2003**

(54) **IMAGE SCANNER**

(75) Inventors: **Tomoyuki Adachi**, Konan (JP); **Tetsuro Kato**, Nagoya (JP)

(73) Assignee: **Elmo Company, Limited** (JP)

(**) Term: **14 Years**

(21) Appl. No.: **29/162,888**

(22) Filed: **Jun. 21, 2002**

(30) **Foreign Application Priority Data**

Jan. 15, 2002 (JP) 2002-000716
Jun. 5, 2002 (JP) 2002-015133

(51) **LOC (7) Cl.** **14-02**

(52) **U.S. Cl.** **D14/423**

(58) **Field of Search** D14/420, 423;
D13/101; D16/208, 214, 223, 232; 250/235;
345/168; 348/141, 373; 355/64; 358/408,
472, 474, 486, 497

(56) **References Cited**

U.S. PATENT DOCUMENTS

D264,581 S	*	5/1982	Mobius	D13/101
4,939,580 A	*	7/1990	Ishikawa et al.	348/373
D325,027 S	*	3/1992	Wallace et al.	D14/423
5,396,281 A	*	3/1995	Maeda	348/141
D386,157 S	*	11/1997	Hasegawa	D14/423
D411,520 S	*	6/1999	Iwakawa et al.	D14/423

* cited by examiner

Primary Examiner—Freda Nunn

(74) *Attorney, Agent, or Firm*—Ostrolenk, Faber, Gerb & Soffen, LLP

(57) **CLAIM**

The ornamental design for an image scanner, as shown and described.

DESCRIPTION

FIG. 1 is a front view of the image scanner embodying our new design;

FIG. 2 is a rear view thereof;

FIG. 3 is a right side view thereof;

FIG. 4 is a left side view thereof;

FIG. 5 is a top plane view thereof;

FIG. 6 is a bottom side view thereof;

FIG. 7 is a perspective view as seen from the top and right front of FIG. 1;

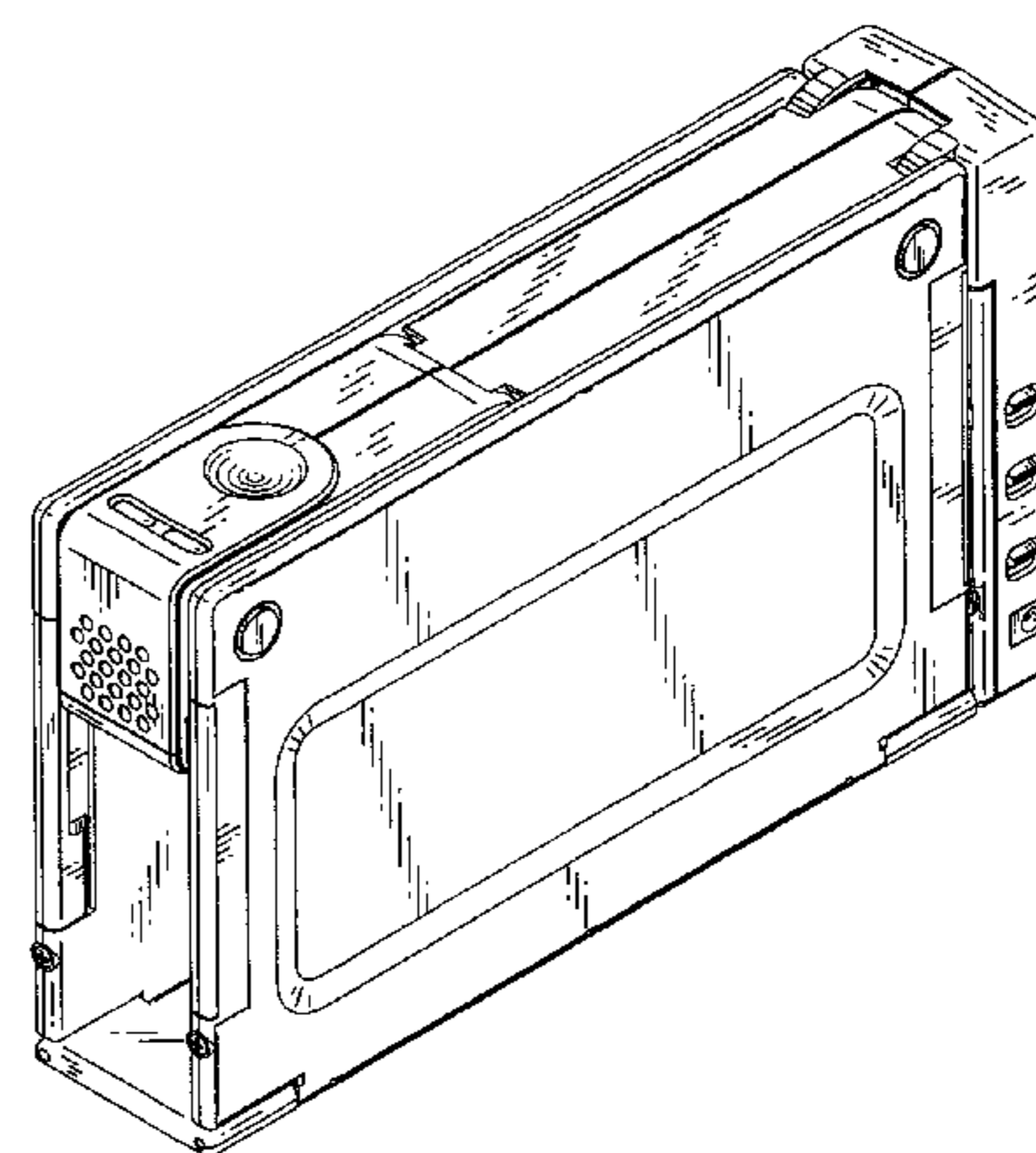
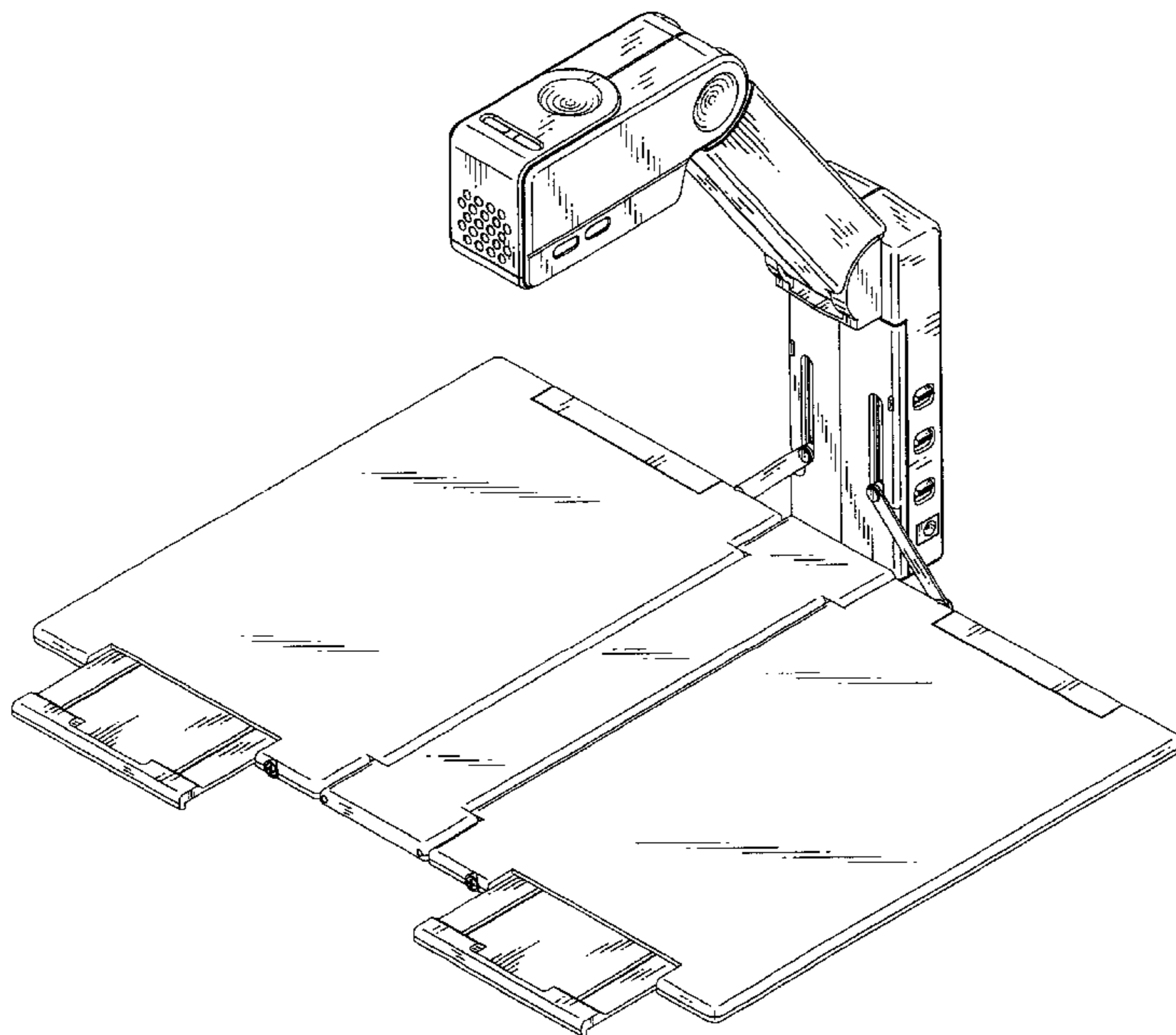
FIG. 8 is a perspective view as seen from the top and right front of FIG. 1 with auxiliary tables being pulled out;

FIG. 9 is a reference perspective view with the camera arm being folded;

FIG. 10 is a perspective view with one of the tables being folded up; and,

FIG. 11 is a perspective view with both the tables being folded up.

1 Claim, 11 Drawing Sheets



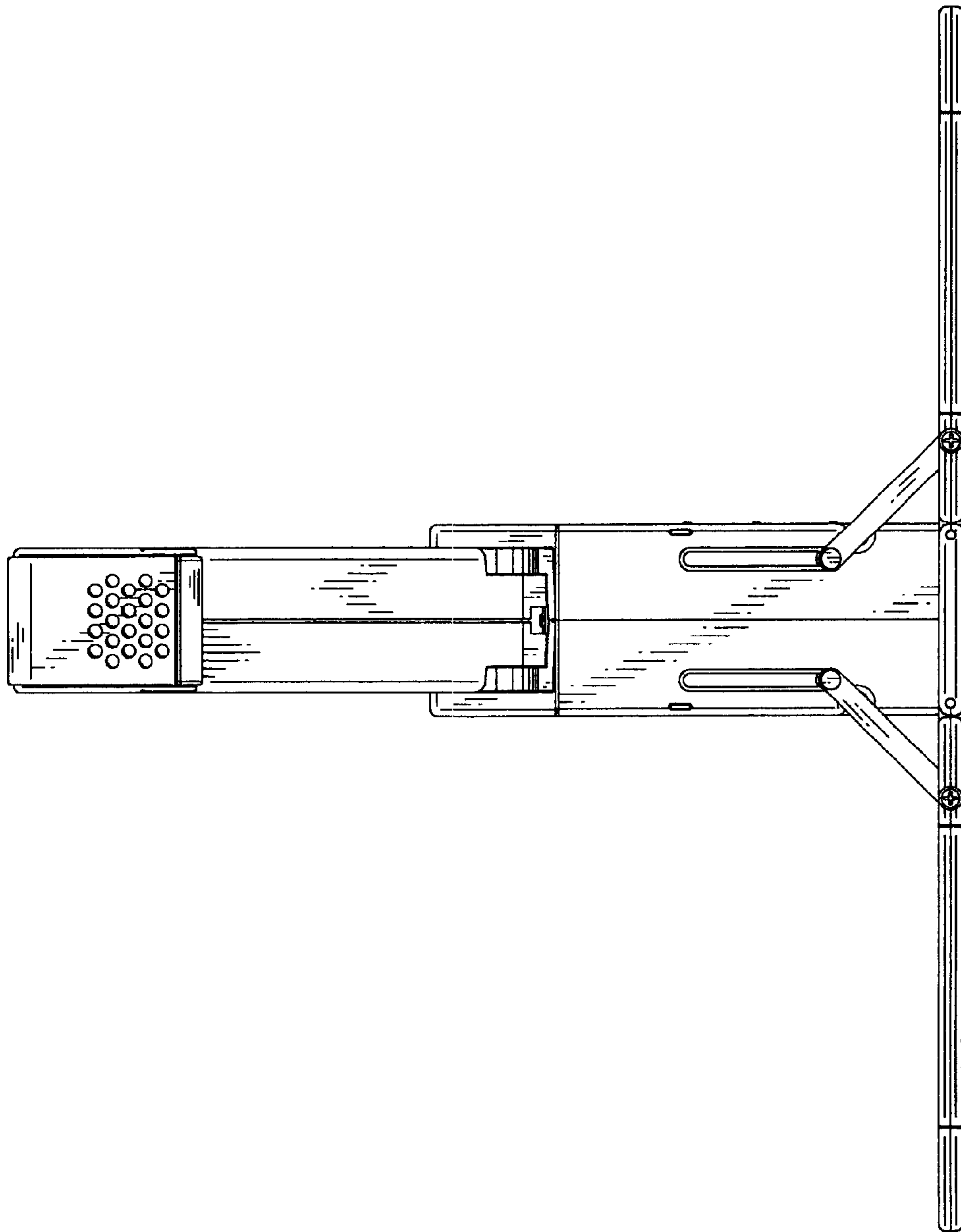


Fig. 1

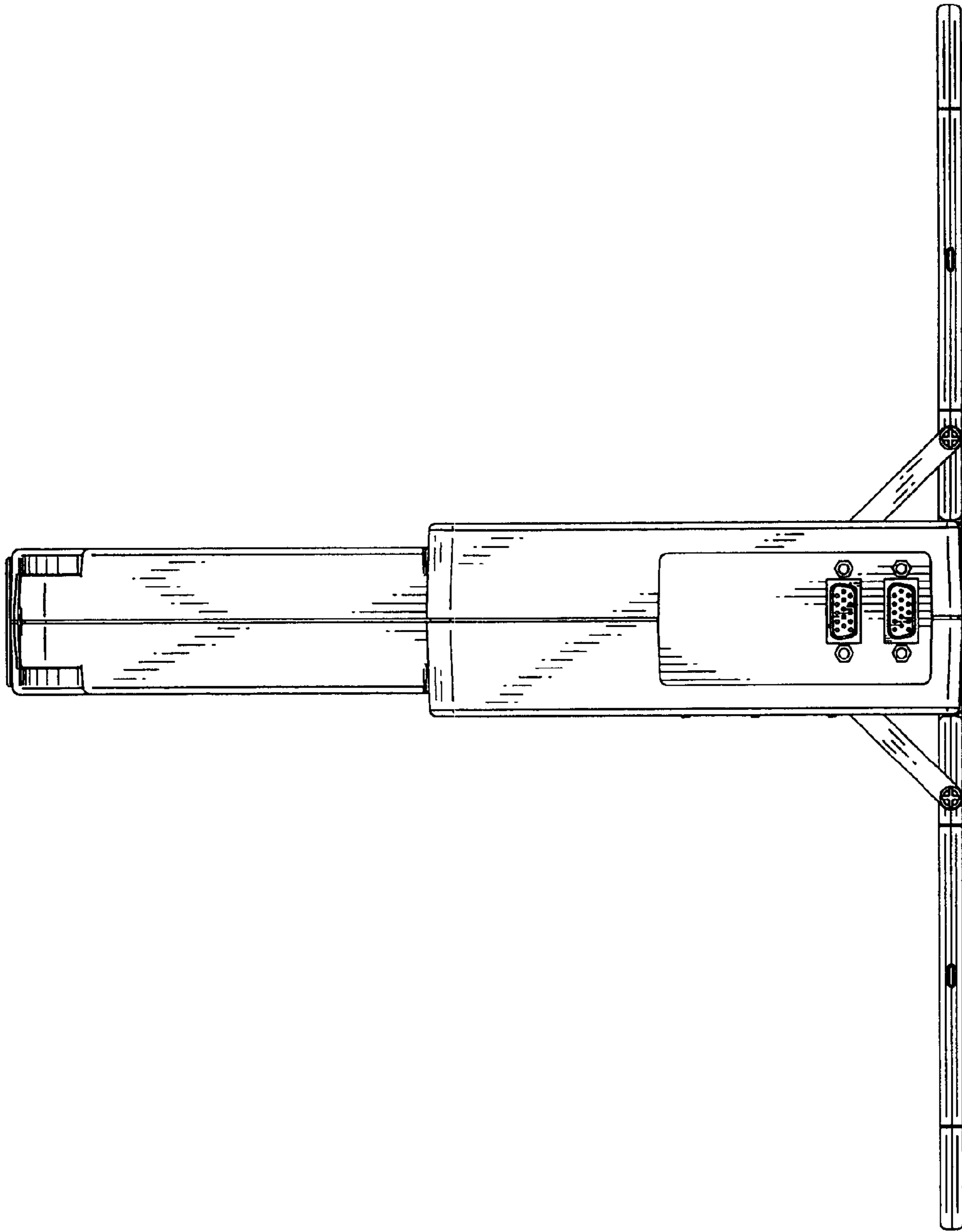


Fig. 2

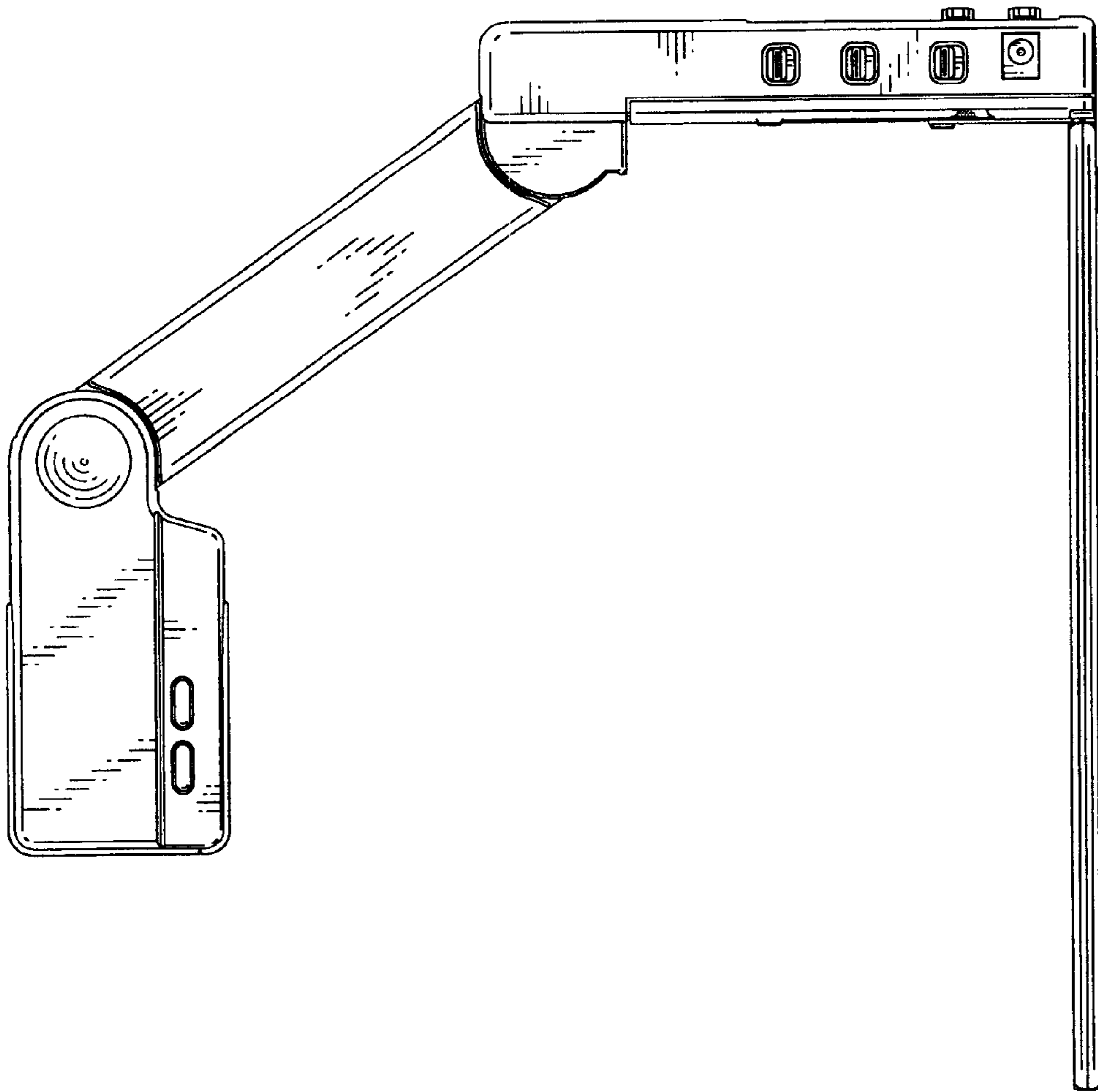


Fig. 3

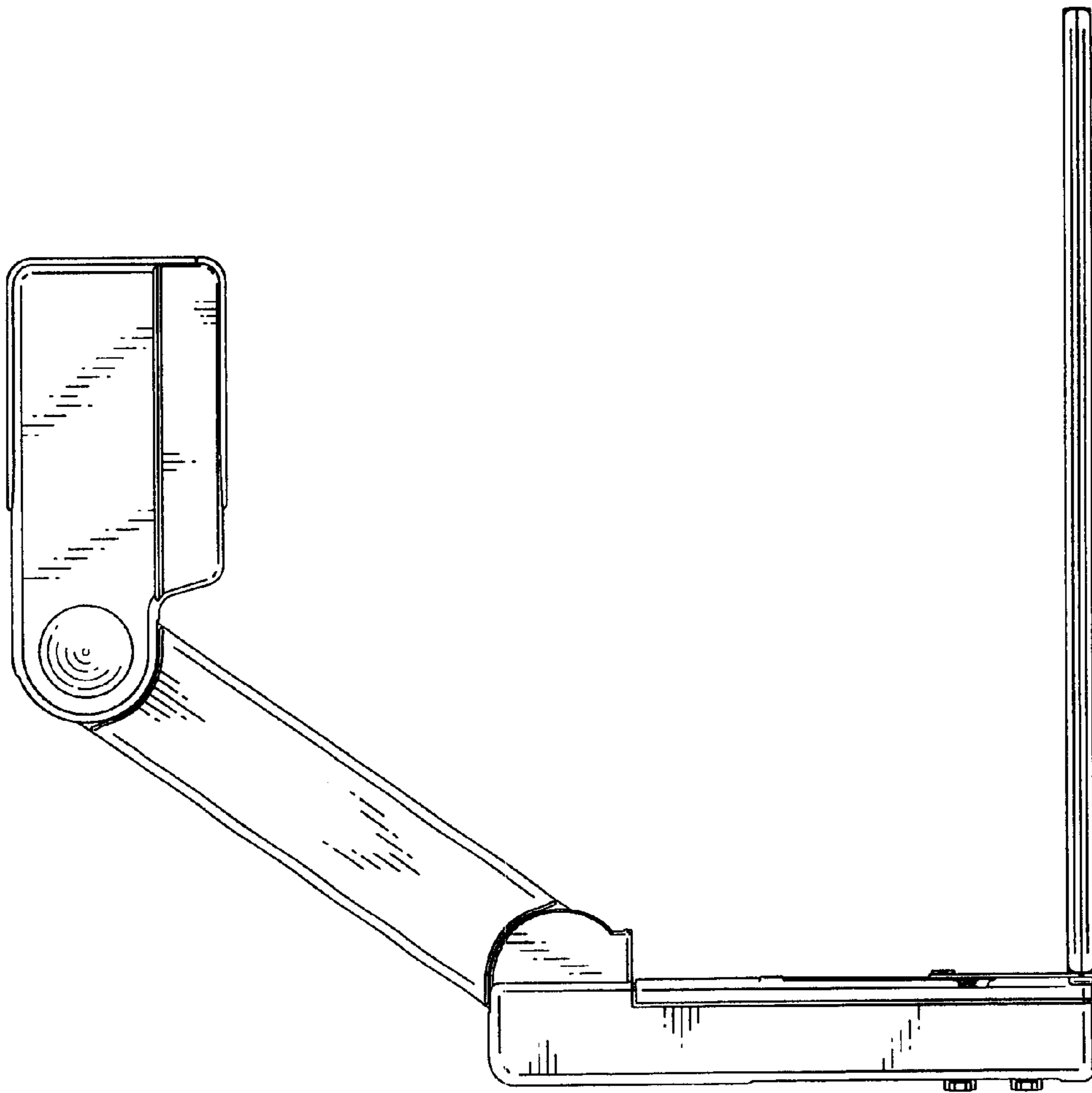


Fig. 4

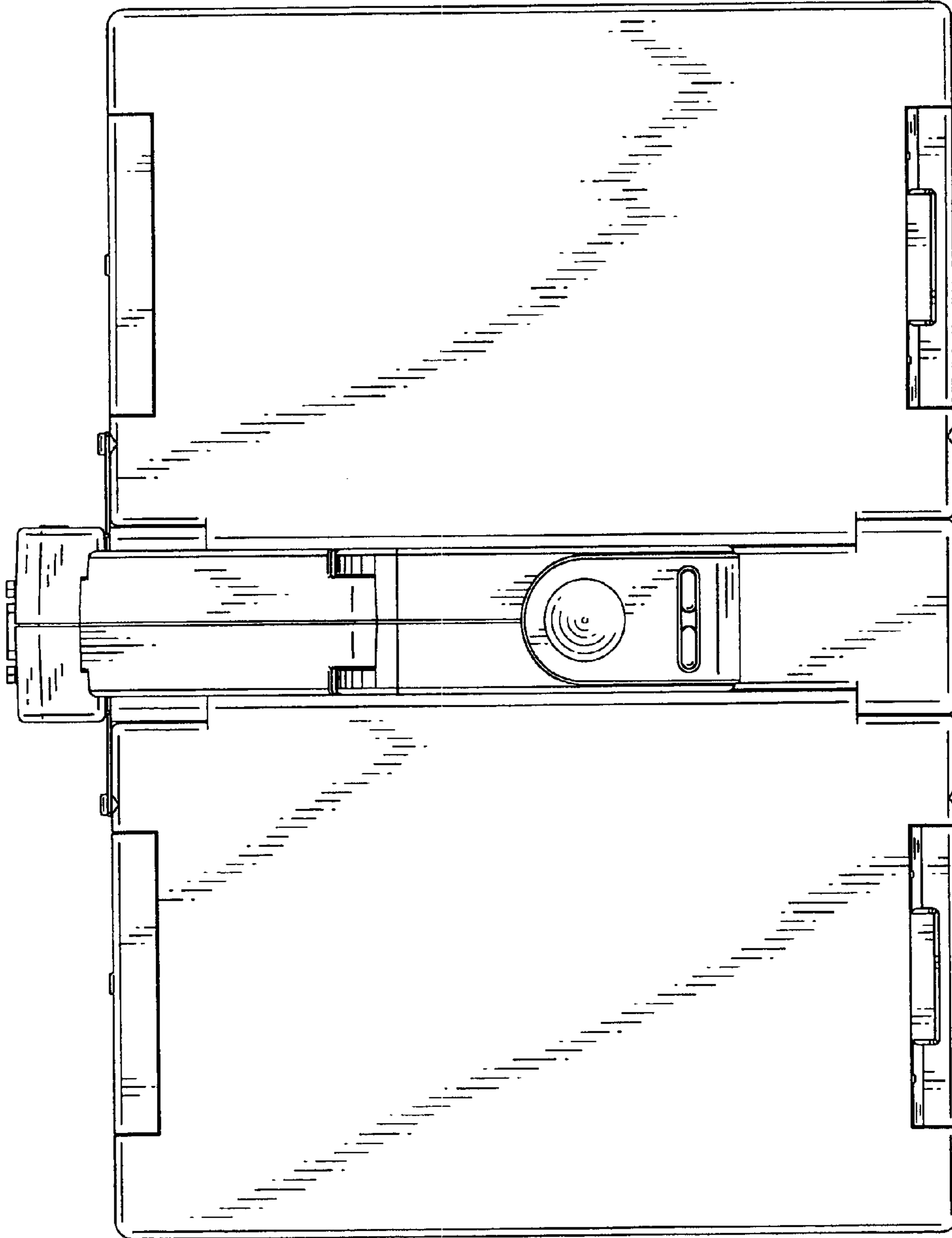


Fig. 5

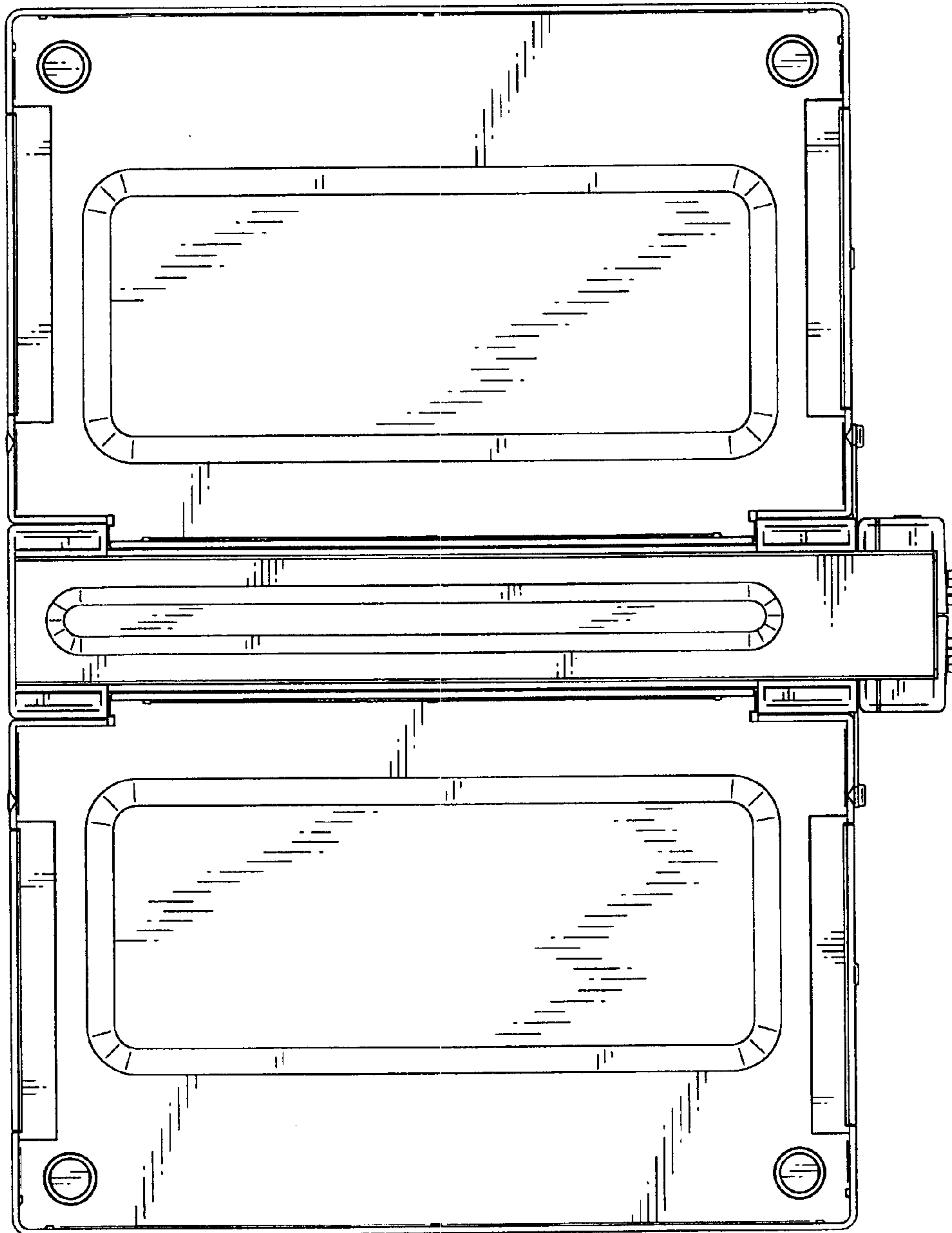


Fig. 6

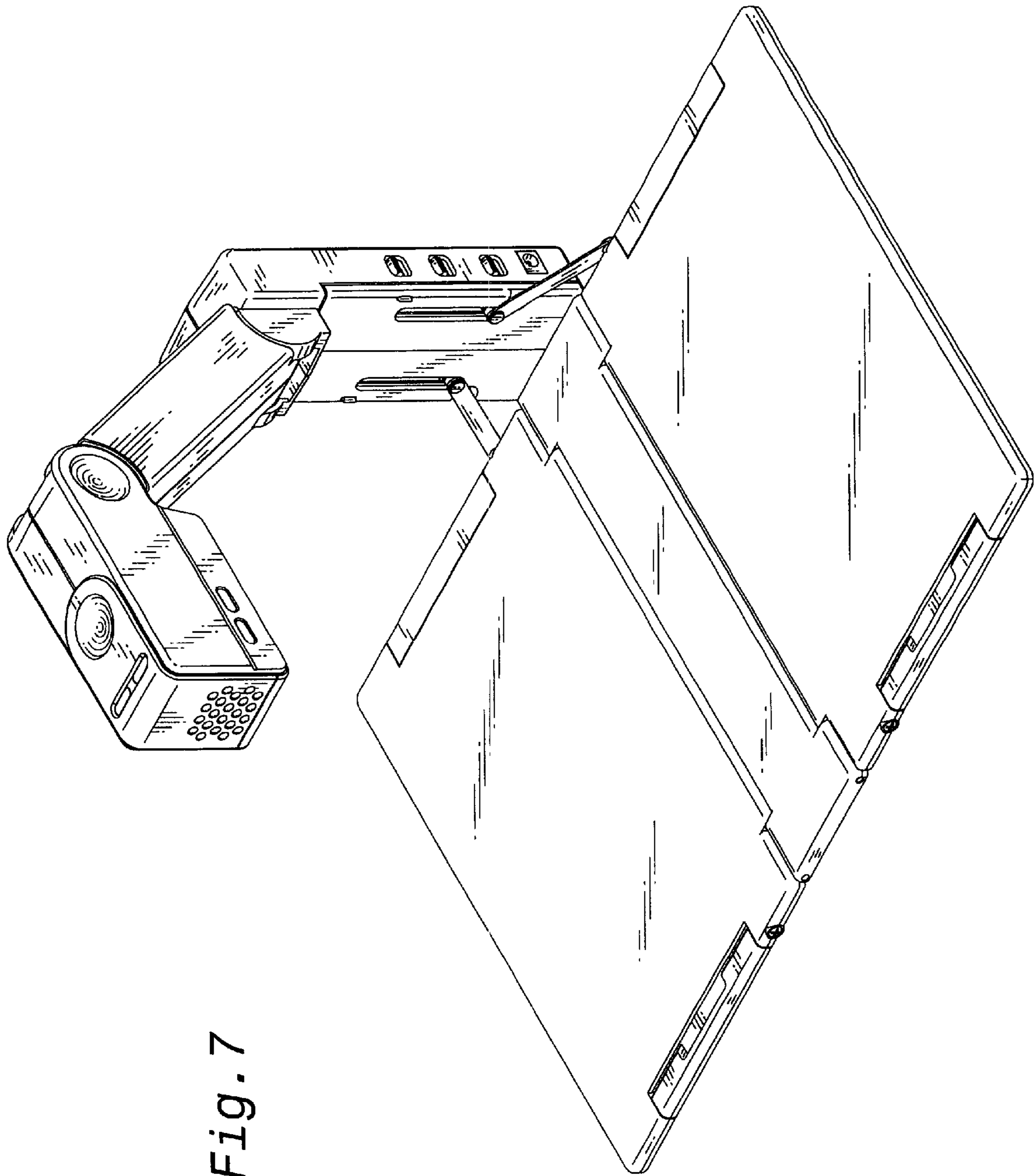


Fig. 7

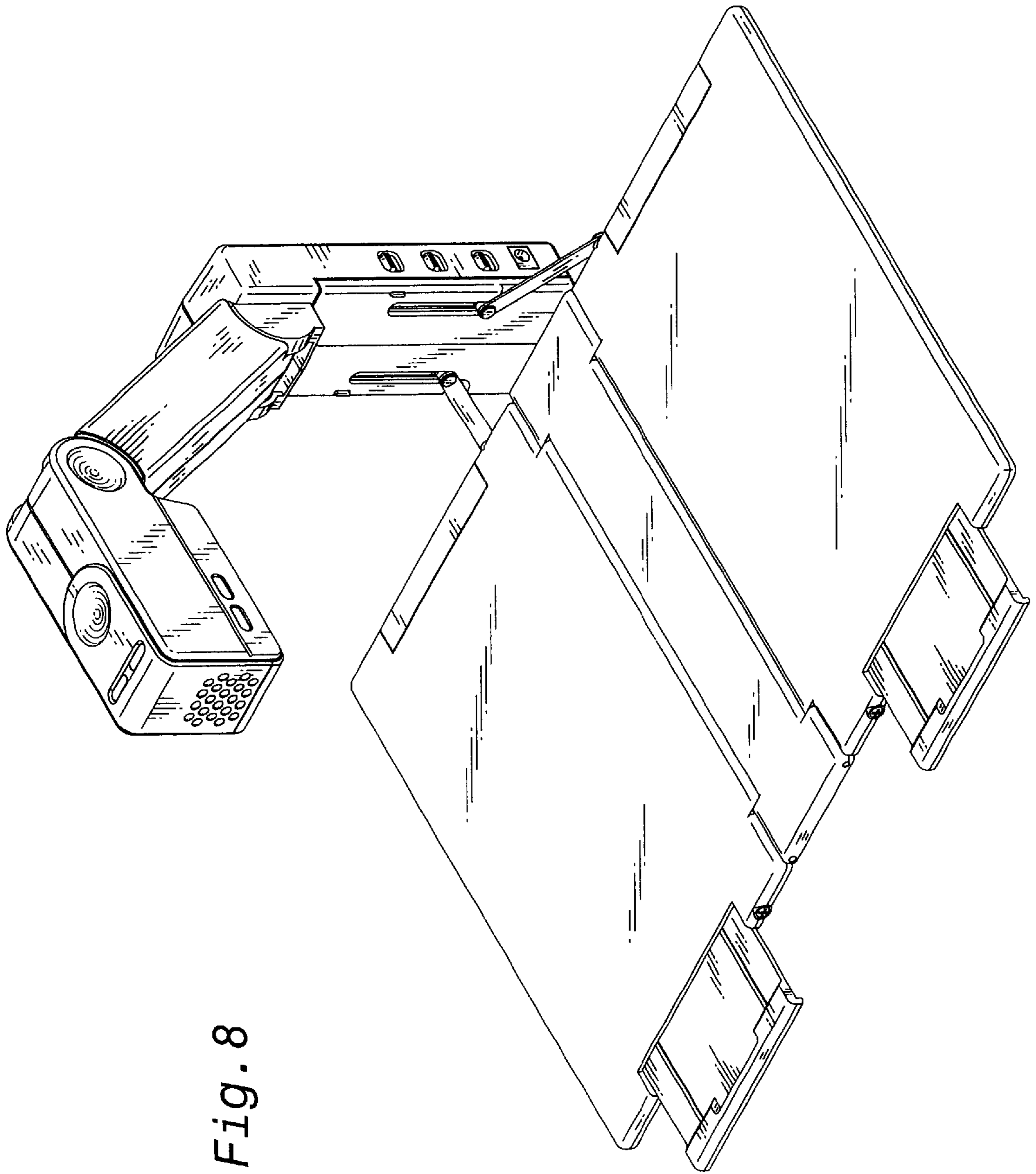


Fig. 8

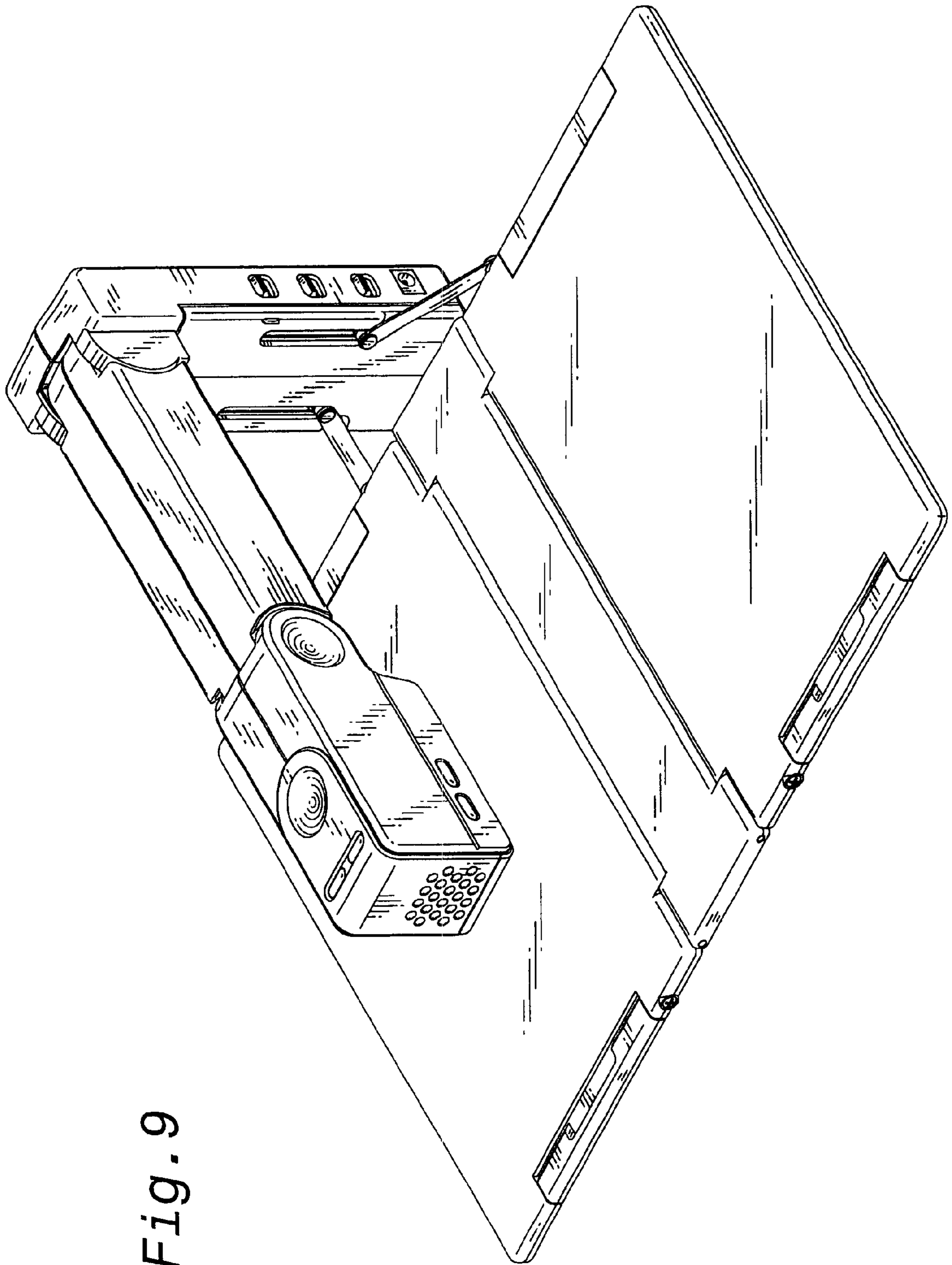


Fig. 9

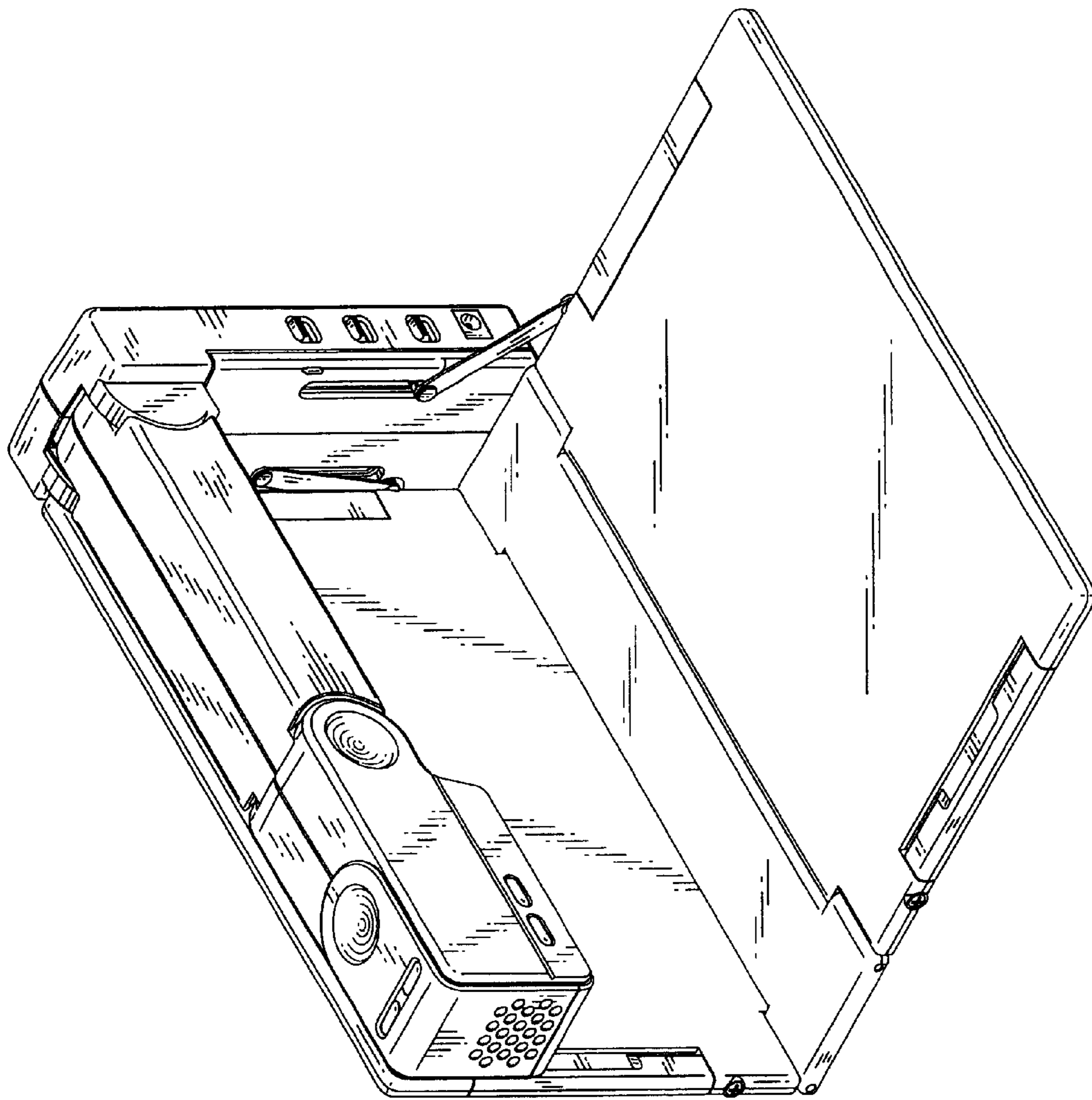


Fig. 10

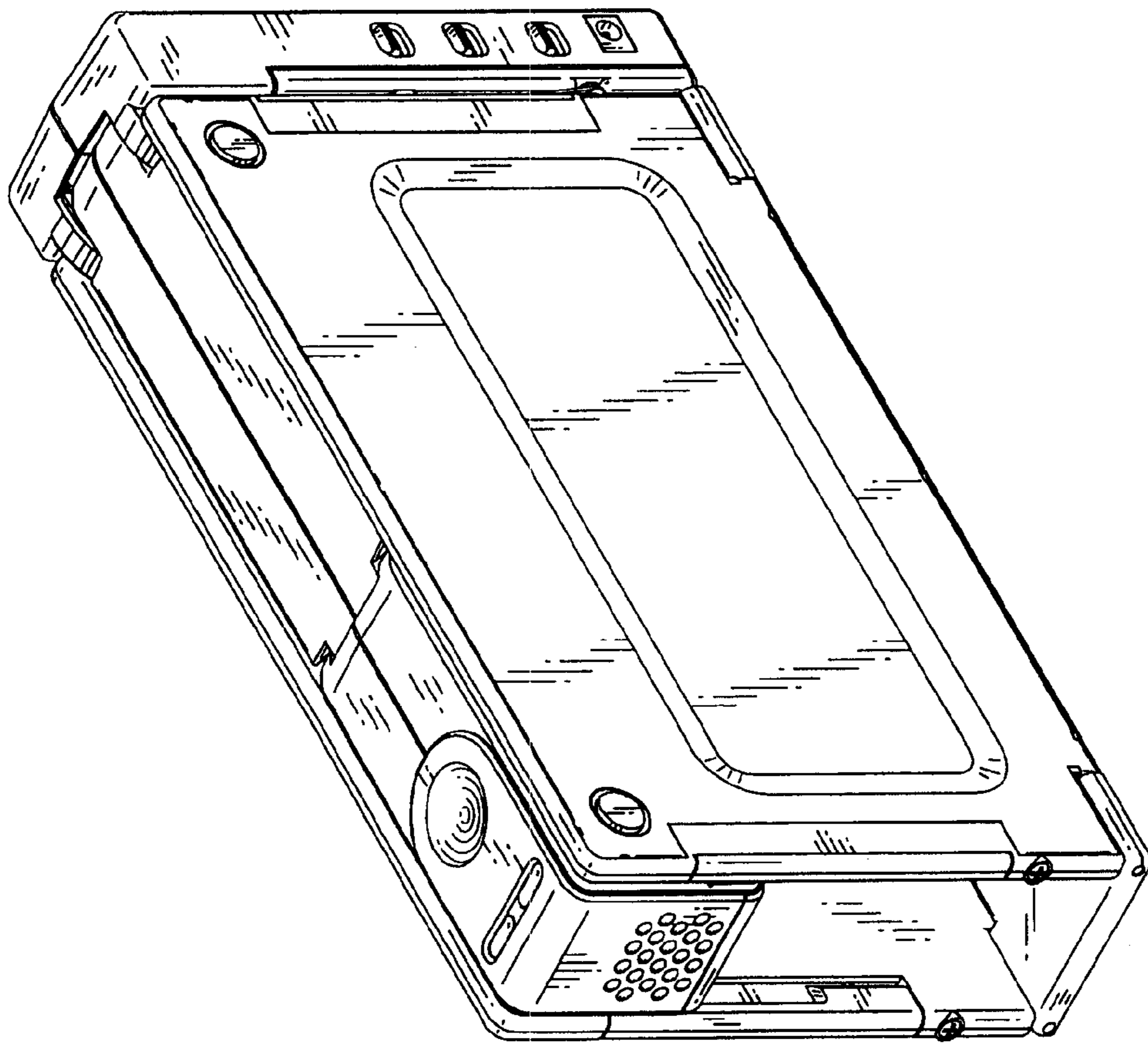


Fig. 11