



US00D476003S

(12) **United States Design Patent**  
**Zuege et al.**

(10) **Patent No.:** **US D476,003 S**

(45) **Date of Patent:** **\*\* Jun. 17, 2003**

(54) **LCD DISPLAY**

(75) Inventors: **Brad Zuege**, Taipei (TW); **Holger Hoehn**, Taipei (TW); **Marco Heusdens**, Taipei (TW); **Reinier Bloem**, Taipei (TW); **White Chu**, Taipei (TW)

(73) Assignee: **HannStar Display Corp**, Taipei (TW)

(\*\*) Term: **14 Years**

(21) Appl. No.: **29/160,770**

(22) Filed: **May 15, 2002**

(51) **LOC (7) Cl.** ..... **14-02**

(52) **U.S. Cl.** ..... **D14/371**

(58) **Field of Search** ..... D14/125-129,  
D14/371; D19/59, 60, 62; D20/42; D21/324,  
325, 329, 332, 515, 548; 345/104, 156,  
168, 173; 434/188; 312/204; 40/594

(56) **References Cited**

**U.S. PATENT DOCUMENTS**

D272,366 S \* 1/1984 Greenberg et al. .... D19/60  
5,072,998 A \* 12/1991 Oh ..... 312/204  
5,564,209 A \* 10/1996 Zagnoli ..... 40/594

D406,613 S \* 3/1999 Nakanishi ..... D21/329  
D434,085 S \* 11/2000 Singer ..... D21/325  
D436,106 S \* 1/2001 Mohamed ..... D14/371  
D456,049 S \* 4/2002 Hood ..... D21/515

**FOREIGN PATENT DOCUMENTS**

CA 2332582 \* 11/1999

\* cited by examiner

*Primary Examiner*—Freda Nunn

(74) *Attorney, Agent, or Firm*—Merchant & Gould; Tim Tingkang Xia

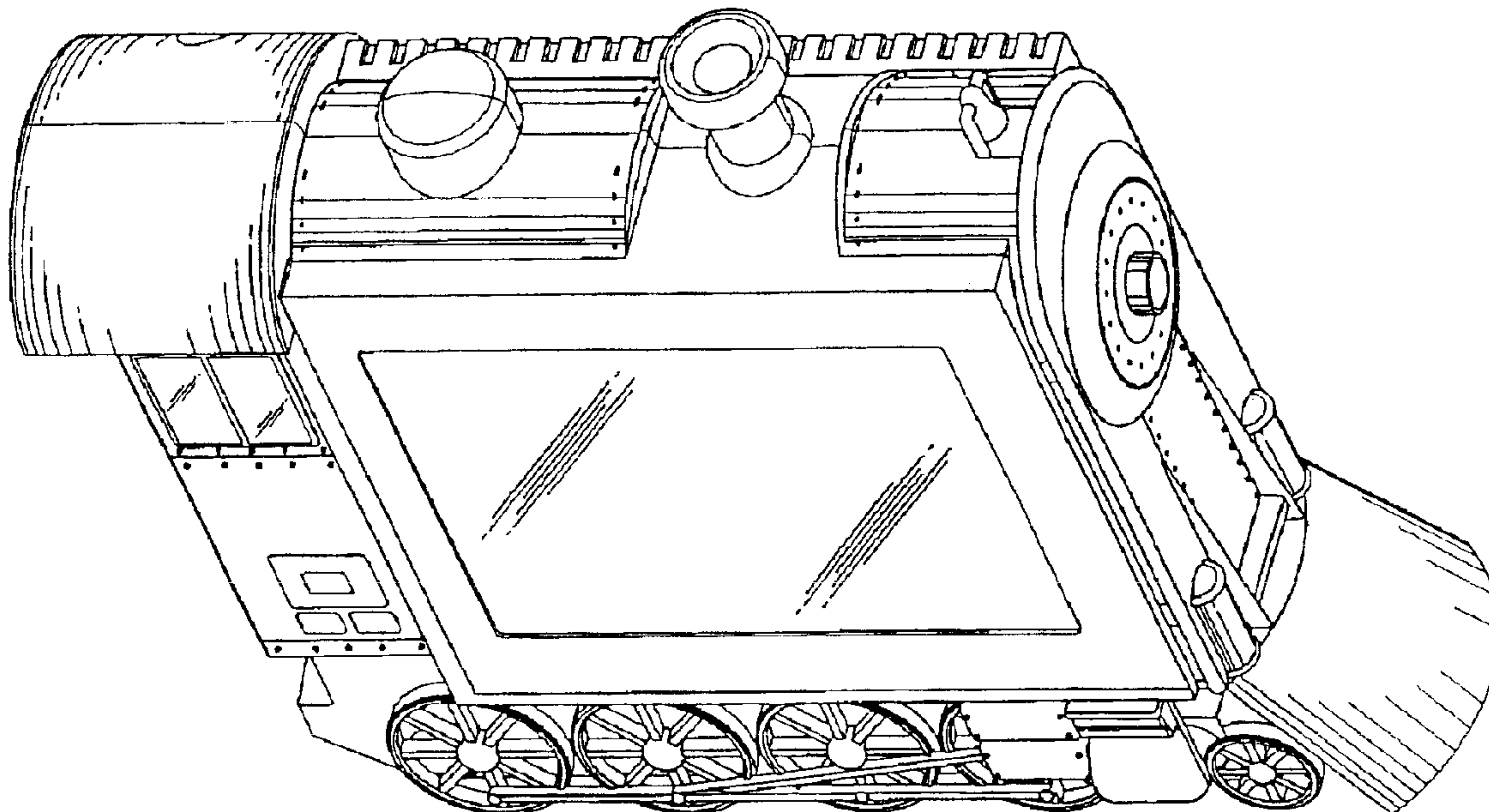
(57) **CLAIM**

The ornamental design for an LCD display, as shown and described.

**DESCRIPTION**

FIG. 1 is a front perspective view thereof;  
FIG. 2 is a right side elevational view thereof;  
FIG. 3 is a top plane view thereof;  
FIG. 4 is a front elevational view thereof;  
FIG. 5 is a bottom plane view thereof;  
FIG. 6 is a left side elevational view thereof; and,  
FIG. 7 is a rear elevational view thereof.

**1 Claim, 7 Drawing Sheets**



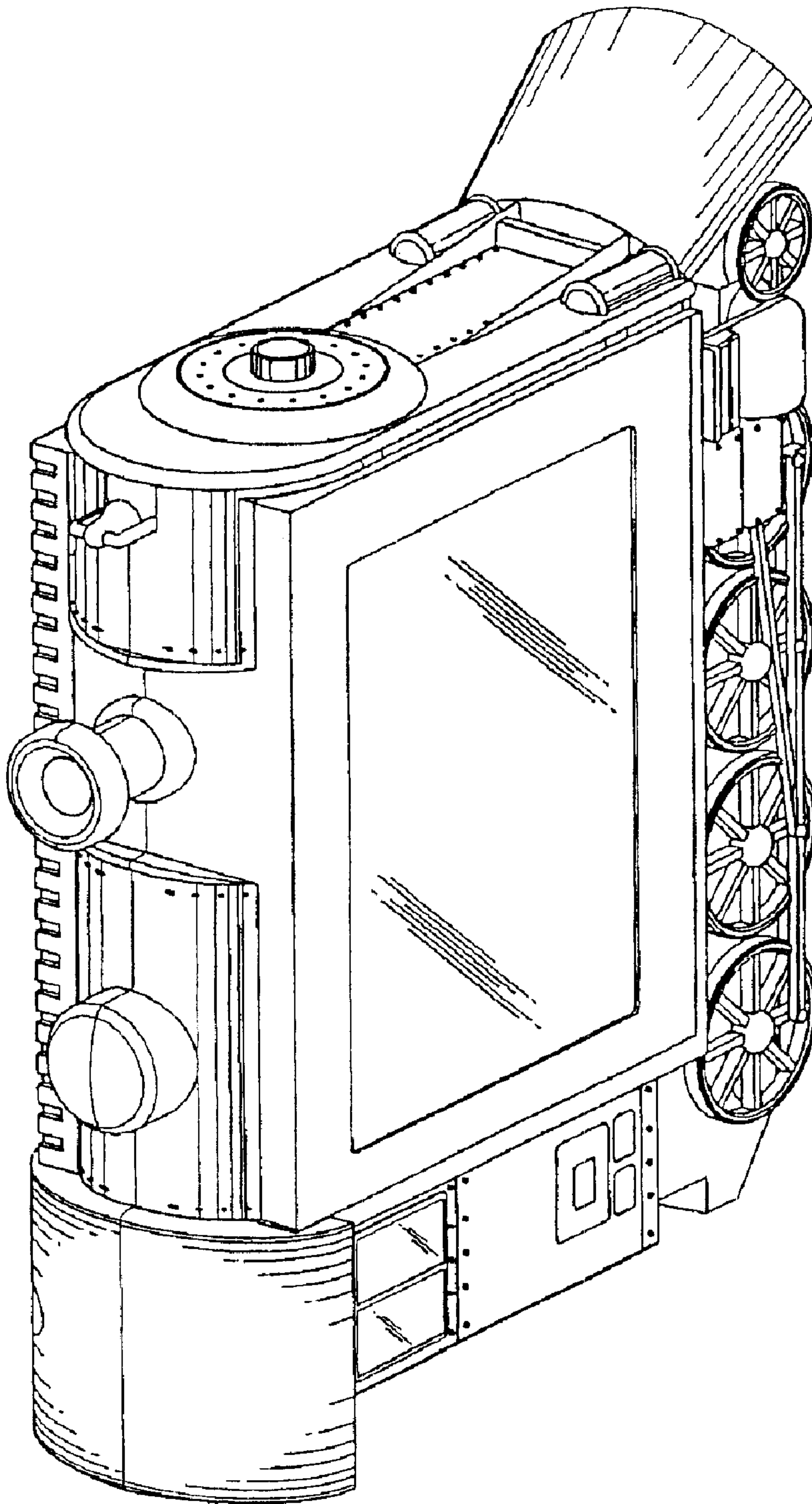


FIG. 1

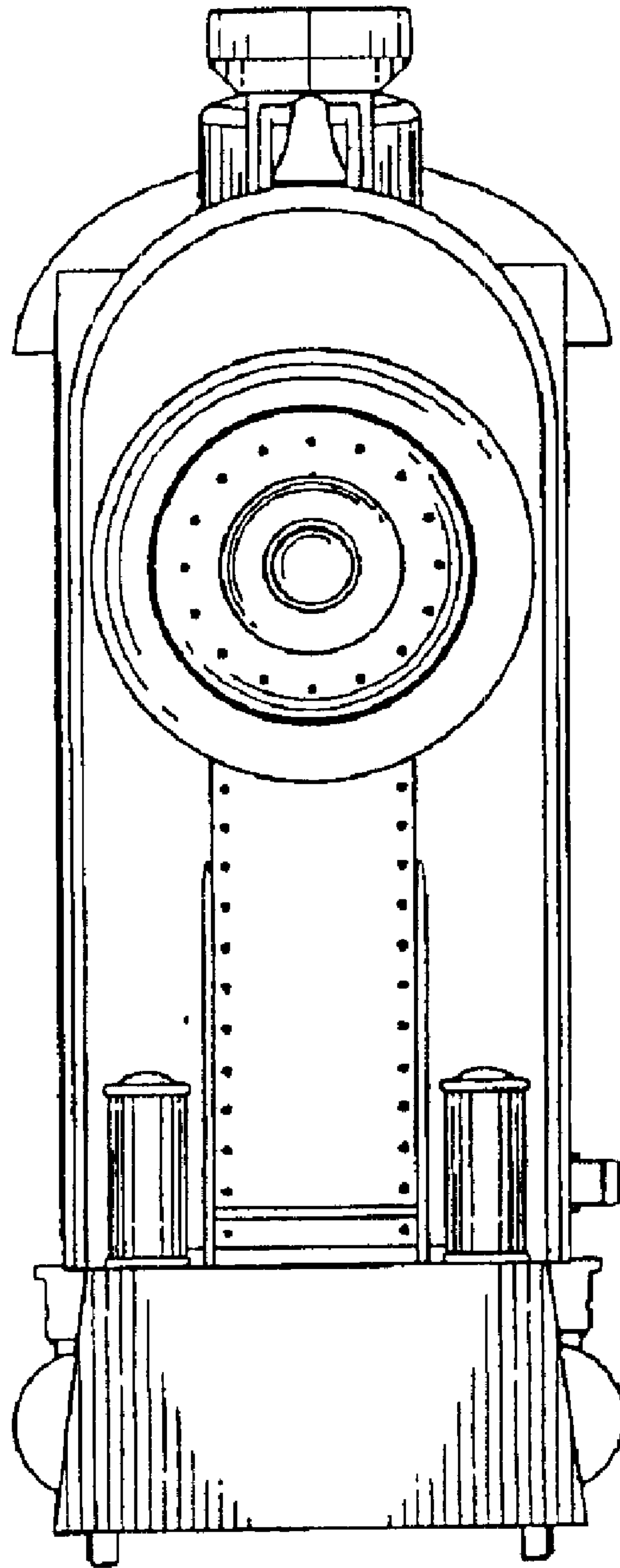


FIG. 2

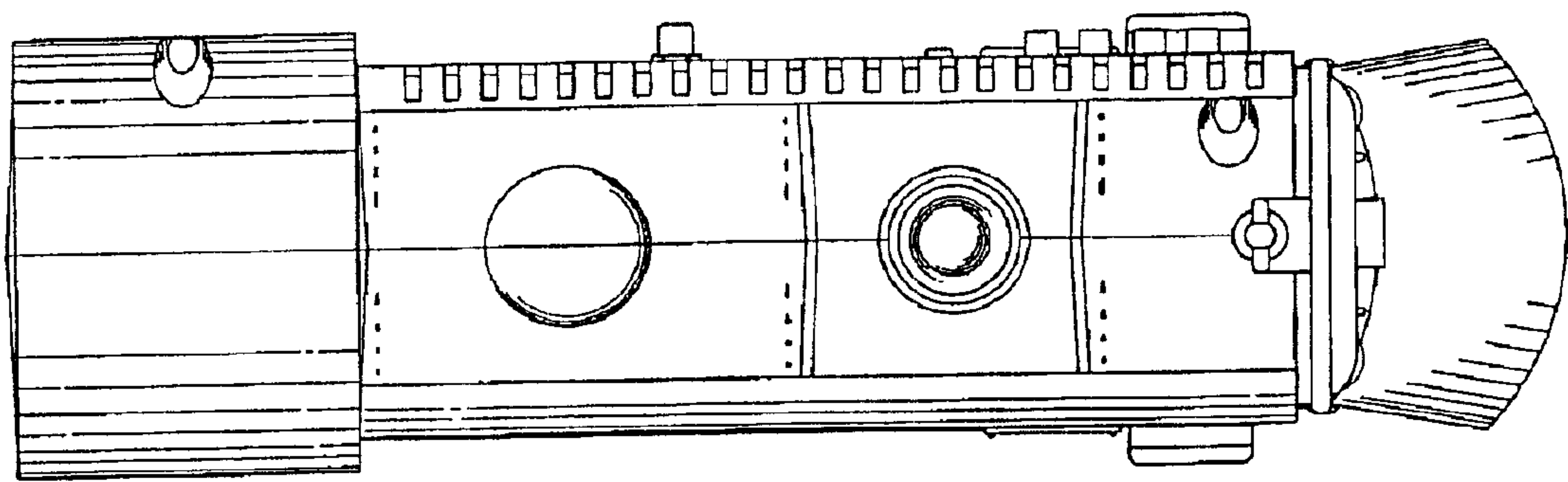


FIG. 3

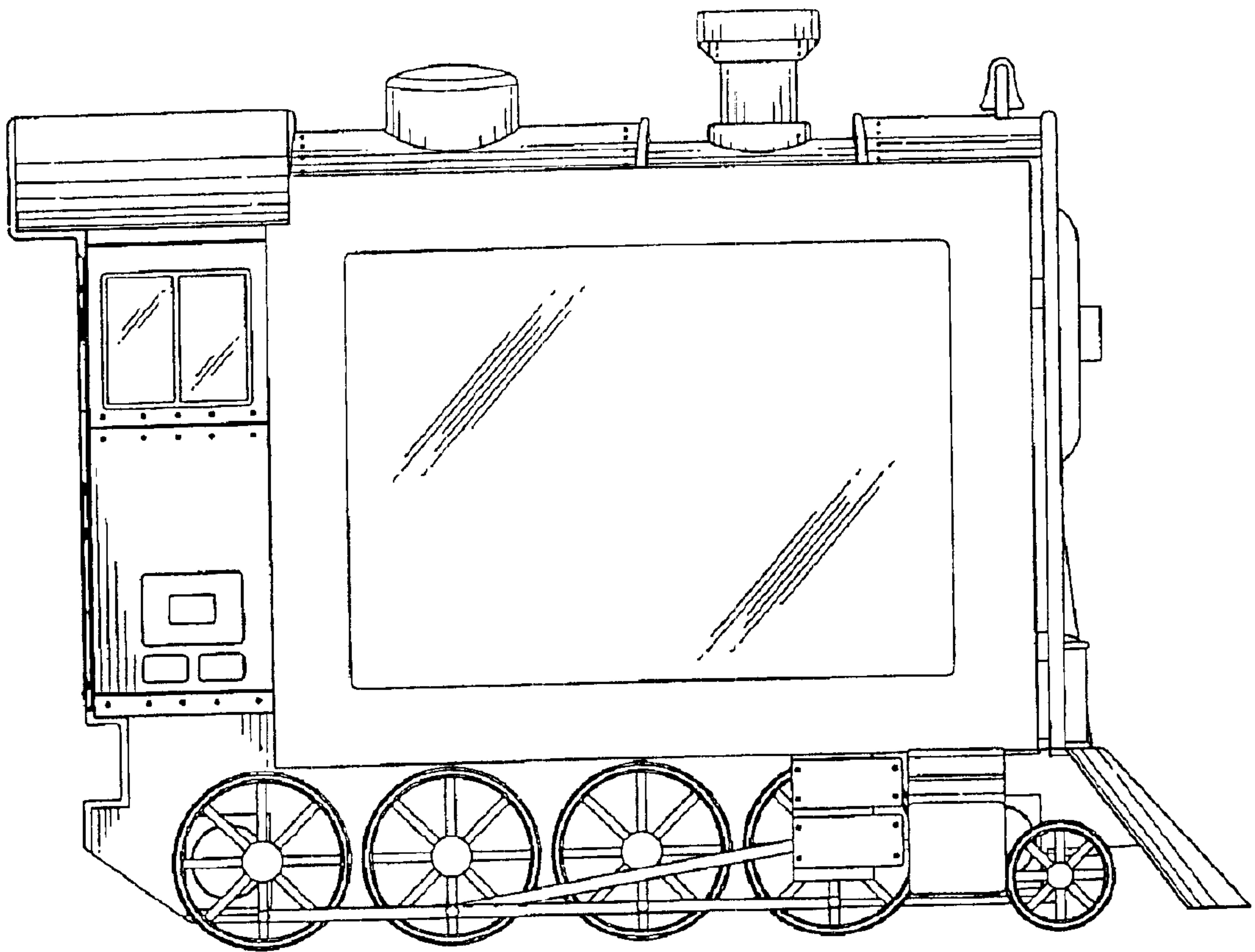


FIG. 4



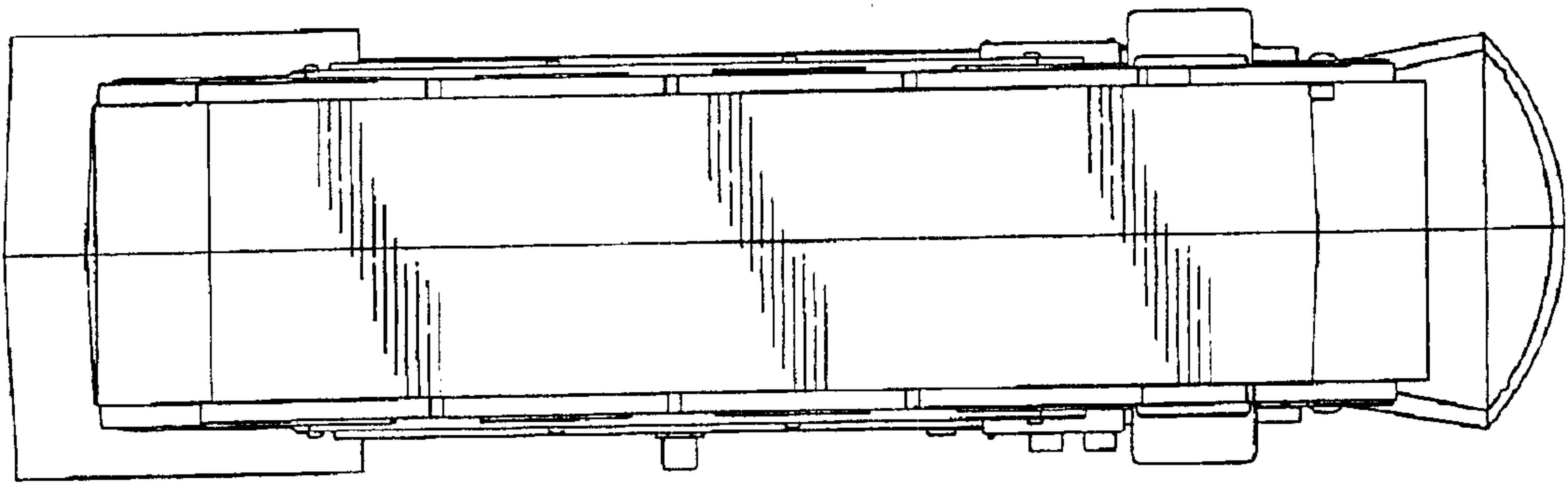


FIG. 5

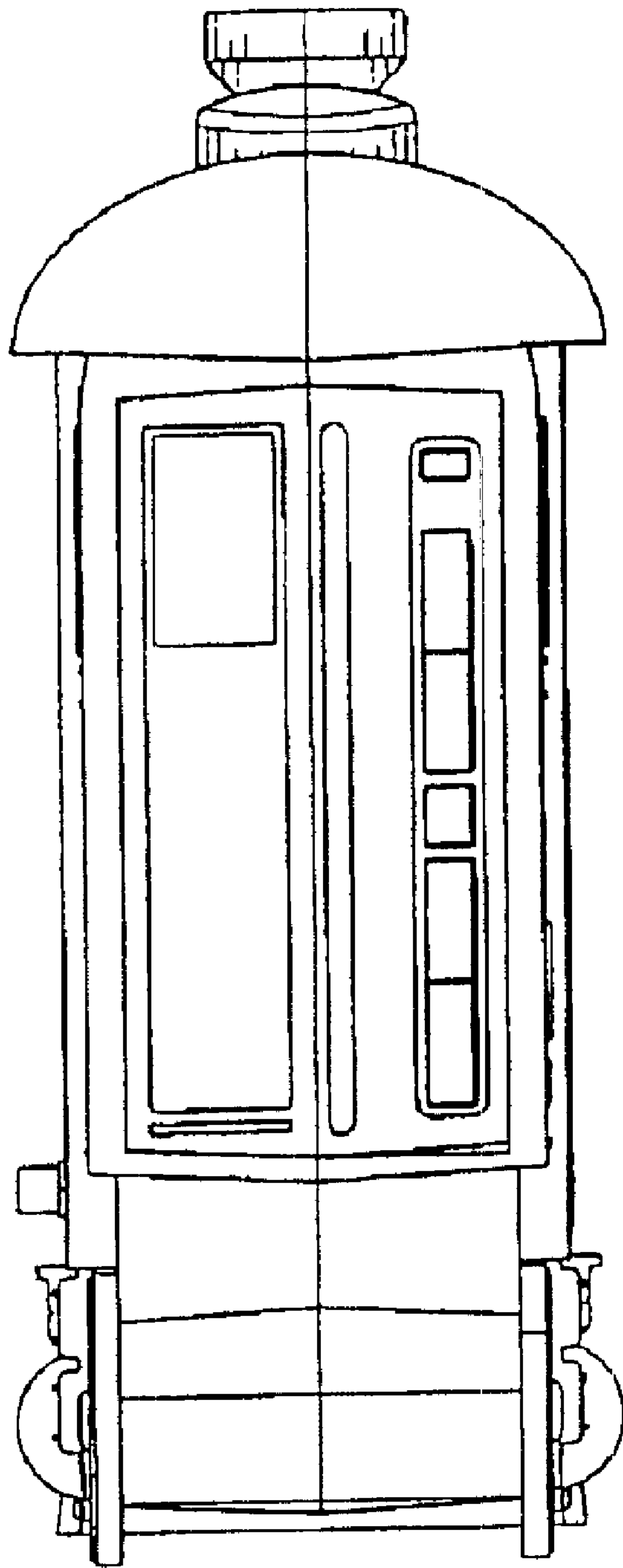


FIG. 6

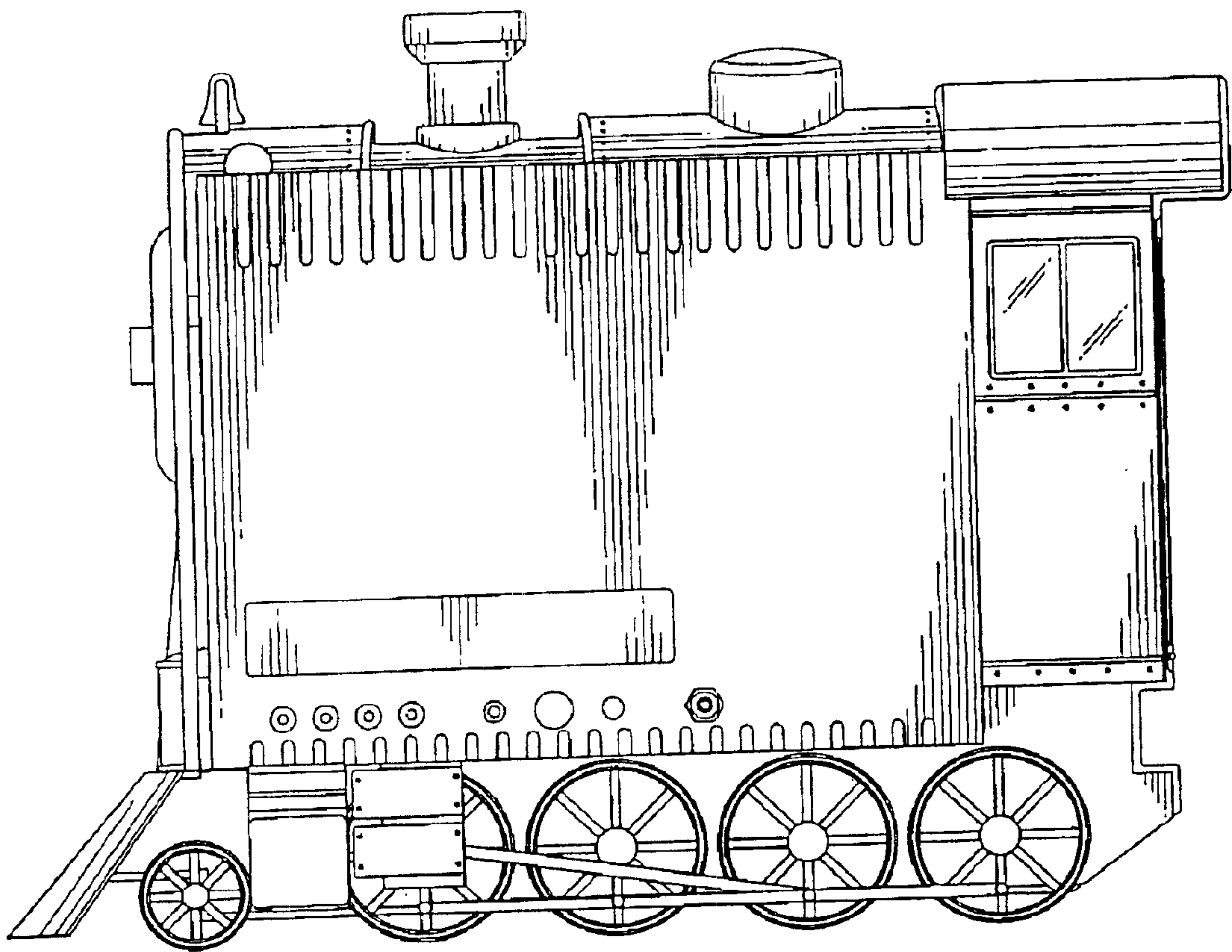


FIG. 7