



US00D476001S

(12) **United States Design Patent**
Crisp et al.

(10) **Patent No.:** **US D476,001 S**

(45) **Date of Patent:** **** Jun. 17, 2003**

(54) **COMPUTER PROCESSOR ENCLOSURE**

D431,241 S * 9/2000 Armstrong et al. D14/348
D447,746 S * 9/2001 Tonozuka et al. D14/356

(75) Inventors: **Richard Andrew Crisp**, Edina, MN
(US); **Bob Springer**, Rochester, MN
(US)

* cited by examiner

(73) Assignee: **International Business Machines Corporation**, Armonk, NY (US)

Primary Examiner—Freda Nunn
(74) *Attorney, Agent, or Firm*—James R. Nock

(**) Term: **14 Years**

(57) **CLAIM**

(21) Appl. No.: **29/163,756**

The ornamental design for a computer processor enclosure, as shown and described.

(22) Filed: **Jul. 11, 2002**

DESCRIPTION

(51) **LOC (7) Cl.** **14-02**

(52) **U.S. Cl.** **D14/354**

(58) **Field of Search** D14/348, 356,
D14/361-369; D13/162, 184, 199; 312/223.1-223.3;
360/99.01-99.12; 361/690-696; 369/34.01,
36.01

FIG. 1 is a top, front, right side isometric view of a computer processor enclosure, showing our new design;
FIG. 2 is a front plan view thereof;
FIG. 3 is a right plan view thereof; and,
FIG. 4 is a top plan view thereof.

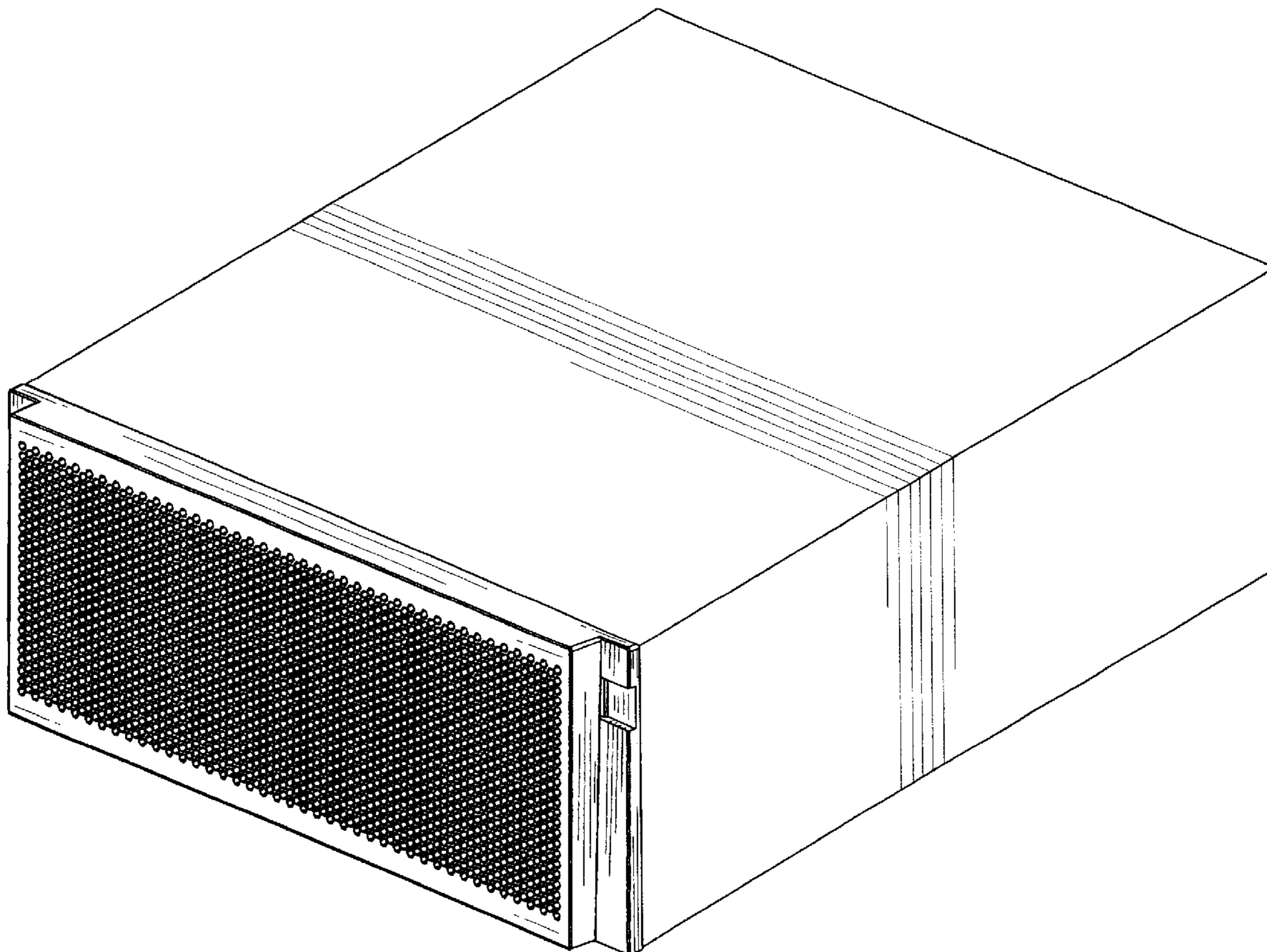
(56) **References Cited**

The bottom of the computer processor enclosure is unornamented.

U.S. PATENT DOCUMENTS

D314,947 S * 2/1991 Imamura D14/354

1 Claim, 4 Drawing Sheets



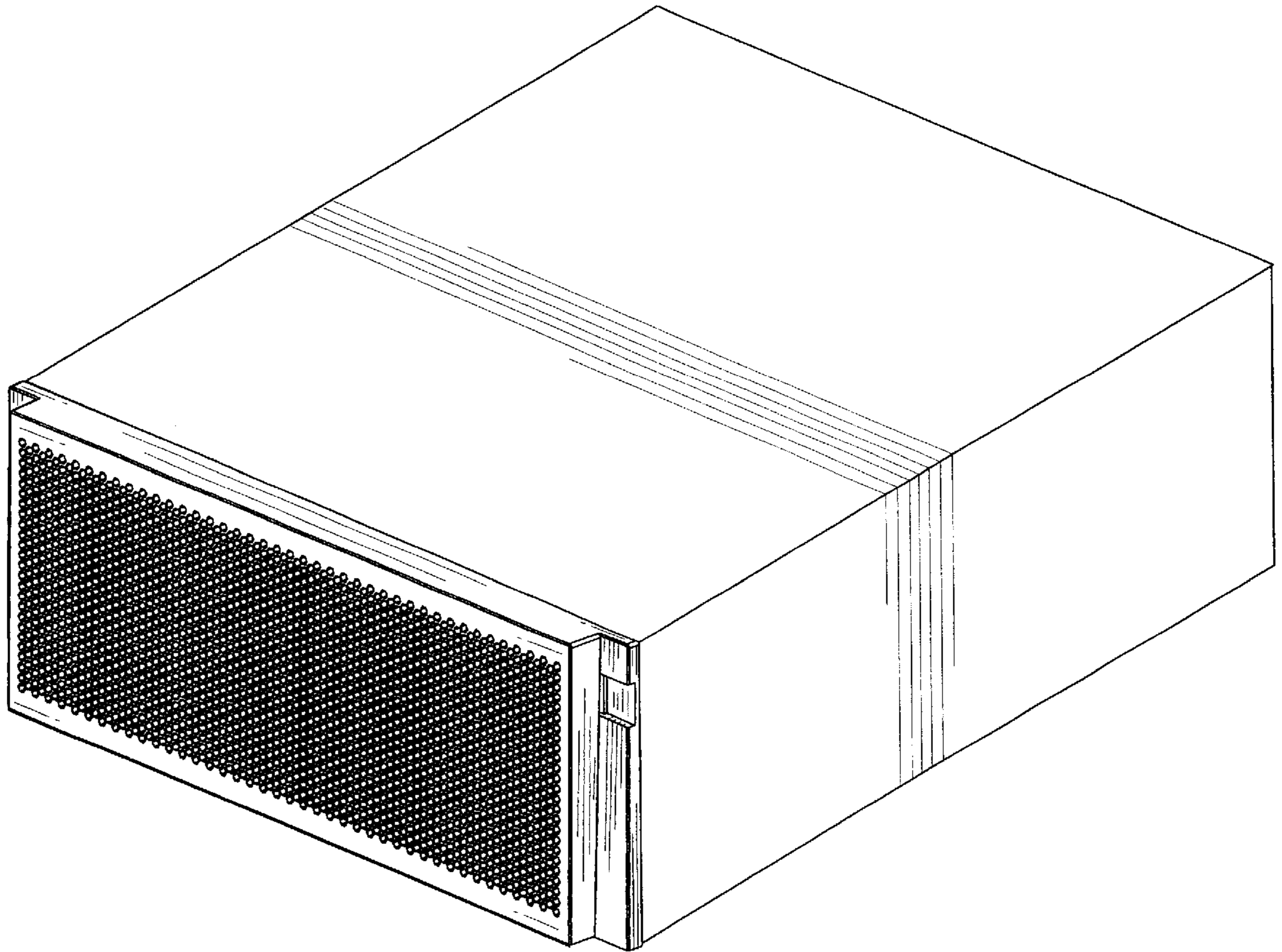


FIG. 1

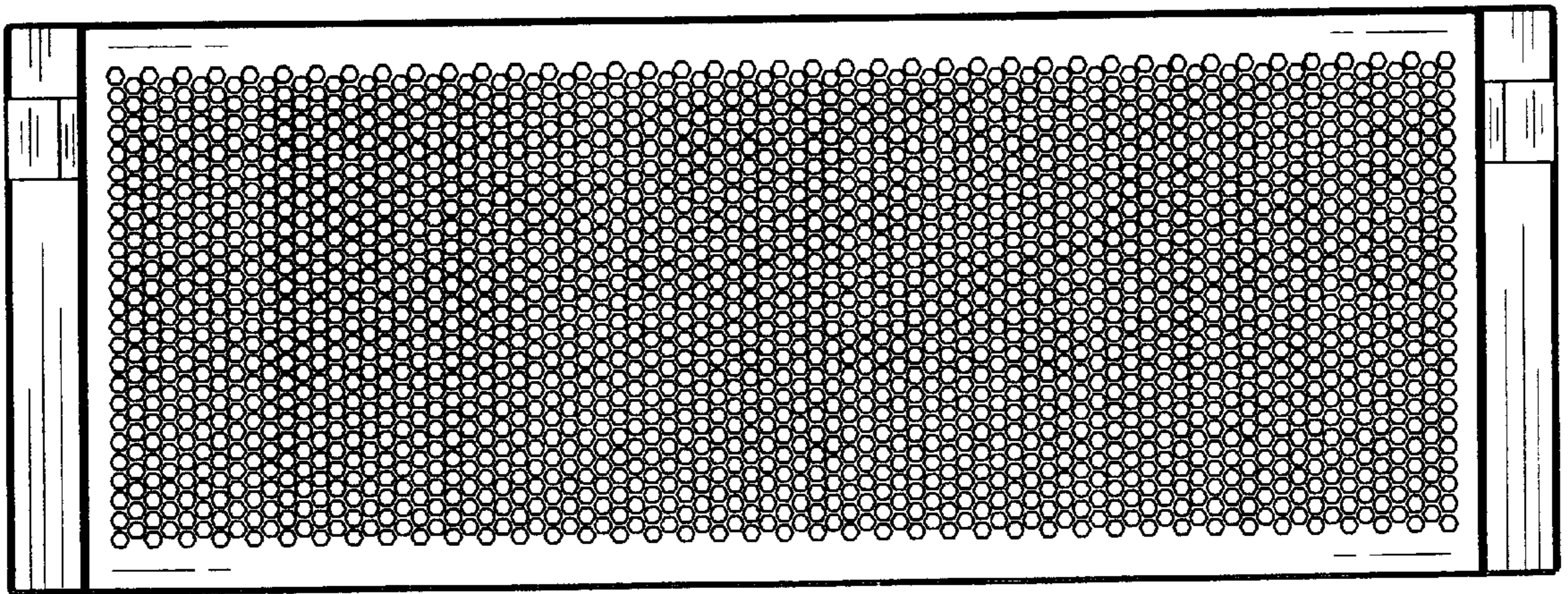


FIG. 2

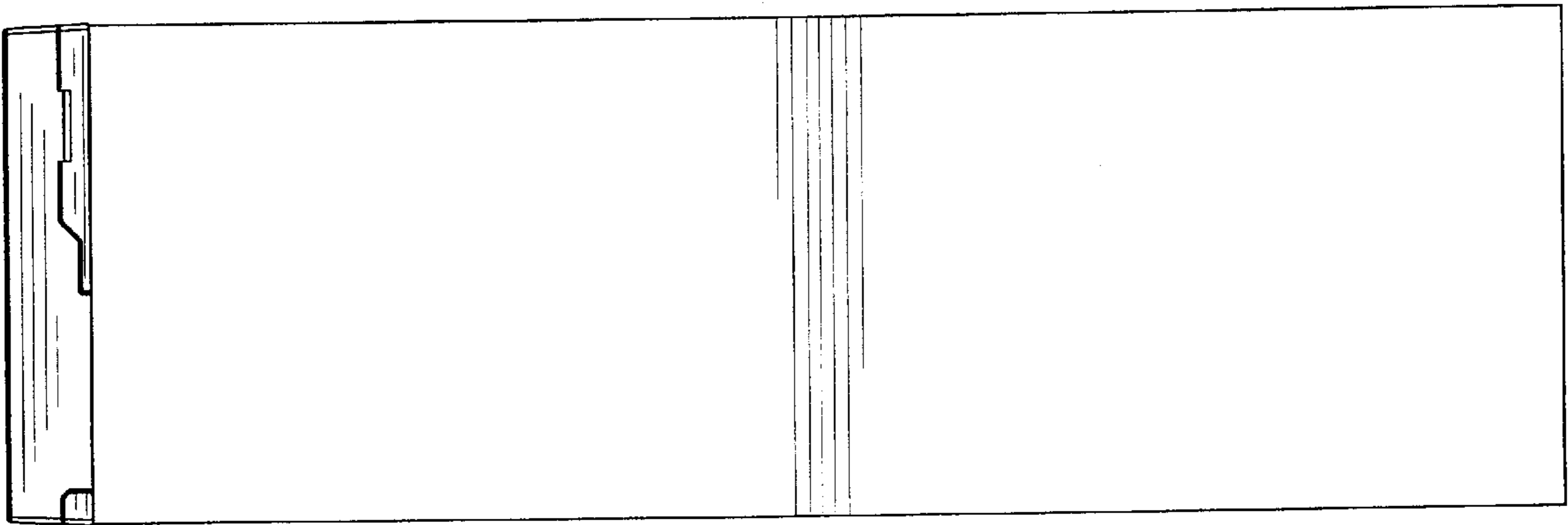


FIG. 3

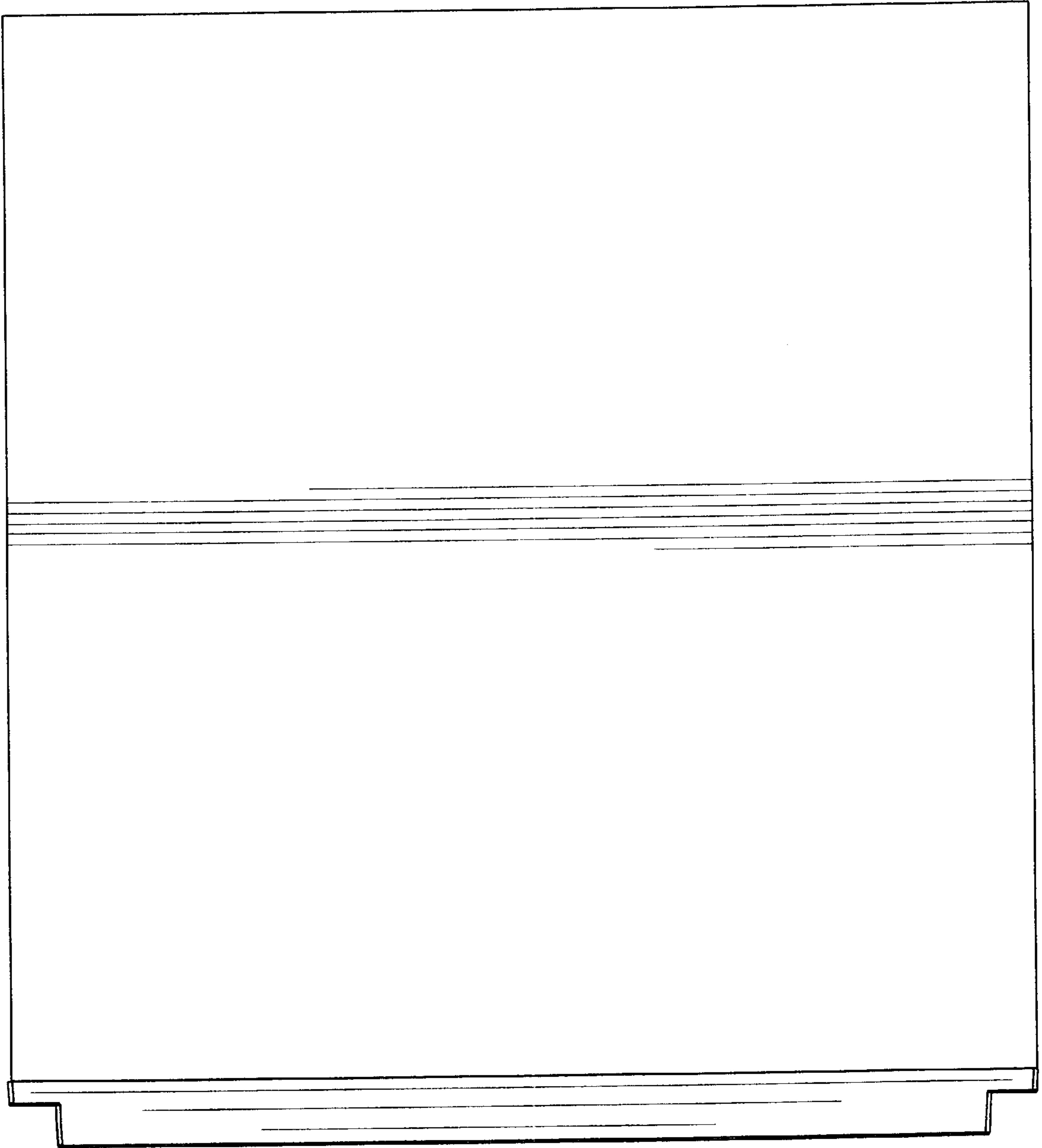


FIG. 4