



US00D475995S

(12) **United States Design Patent**
Hsieh

(10) **Patent No.:** **US D475,995 S**

(45) **Date of Patent:** **** Jun. 17, 2003**

(54) **STANCHION BASE**

D465,988 S * 11/2002 Green D8/349

(76) Inventor: **Wu-Hong Hsieh**, No. 162, Chung Shan
2nd Rd., Lu Chou City, Taipei Hsien
(TW)

* cited by examiner

Primary Examiner—Doris V. Coles

Assistant Examiner—Elizabeth A. Albert

(**) Term: **14 Years**

(74) *Attorney, Agent, or Firm*—Dennison, Schultz &
Dougherty

(21) Appl. No.: **29/171,982**

(57) **CLAIM**

(22) Filed: **Dec. 4, 2002**

The ornamental design for a stanchion base, as shown and
described.

(51) **LOC (7) Cl.** **14-01**

(52) **U.S. Cl.** **D14/229; D6/495**

(58) **Field of Search** D3/10; D6/495;
D8/349; D11/130.1; D20/41; 40/606, 612;
248/127, 346.01, 346.03, 346.2, 519, 910;
404/6, 9, 10

DESCRIPTION

(56) **References Cited**

U.S. PATENT DOCUMENTS

3,415,475	A	*	12/1968	Goodman	248/910
D272,532	S	*	2/1984	Fitzner et al.	D14/229
D285,883	S	*	9/1986	Tegze	D6/495
5,048,789	A	*	9/1991	Eason et al.	248/544
5,092,556	A	*	3/1992	Darling et al.	248/519
D368,569	S	*	4/1996	Winslow et al.	D34/31

FIG. 1 is a perspective view of the stanchion base showing
my new design;

FIG. 2 is a front elevational view thereof;

FIG. 3 is a rear elevational view thereof;

FIG. 4 is a left side view thereof;

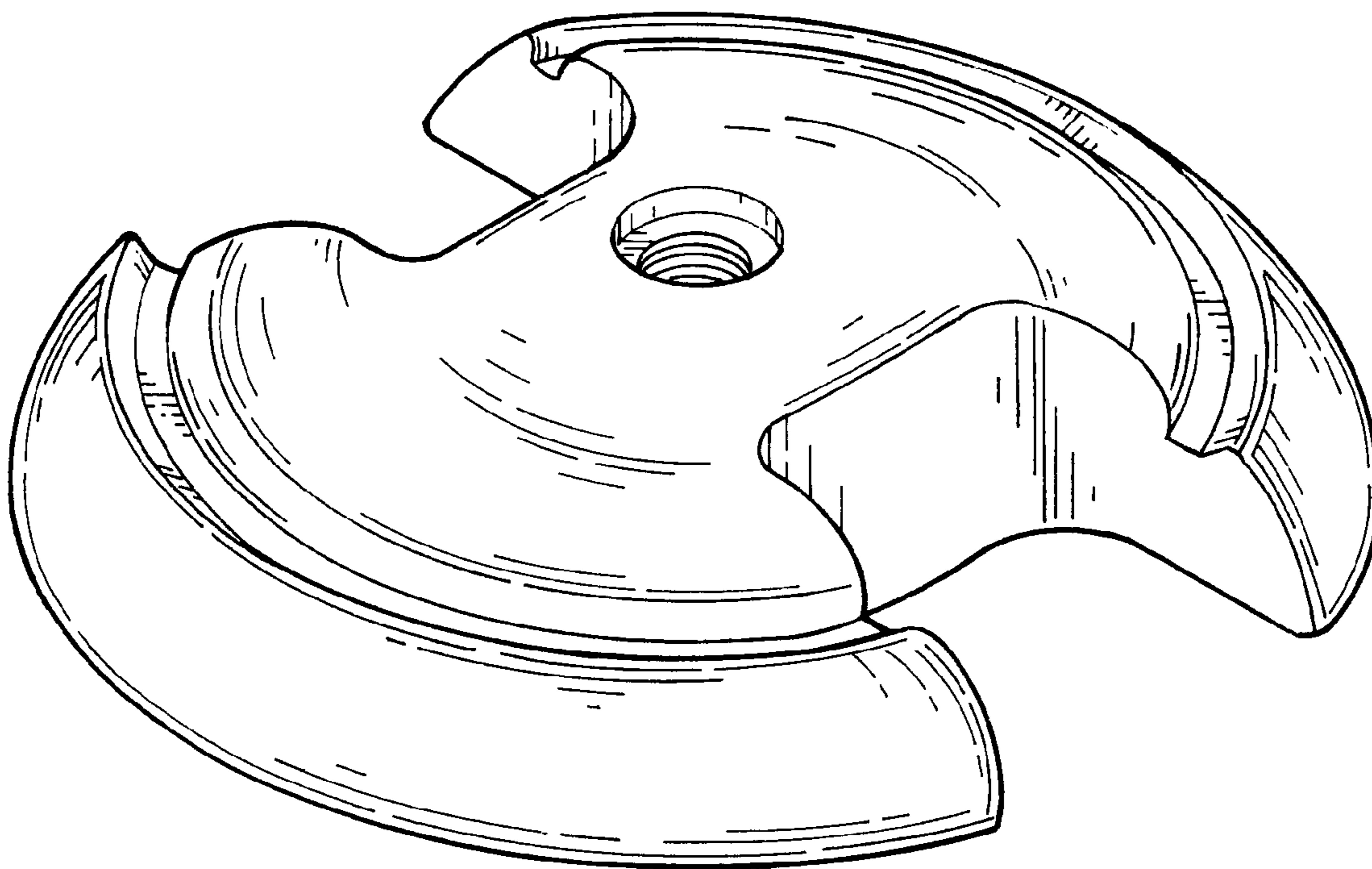
FIG. 5 is a right side view thereof;

FIG. 6 is a top plan view thereof;

FIG. 7 is a bottom plan view thereof; and,

FIG. 8 is a referential perspective view of a microphone
stand stanchion mounted on the stanchion base, wherein the
broken lines are shown for illustrative purposes and form no
part of the claimed design.

1 Claim, 5 Drawing Sheets



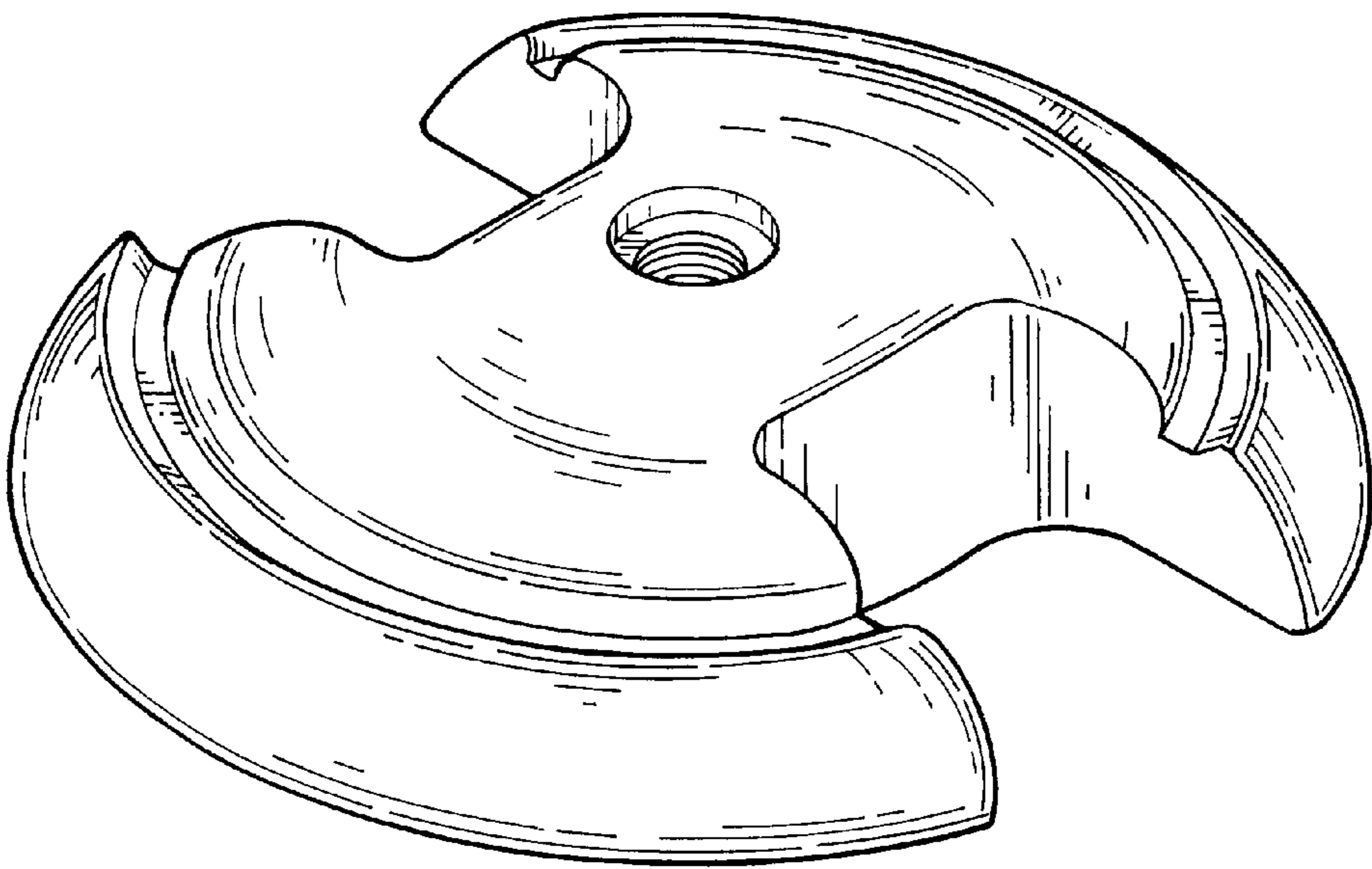


FIG. 1

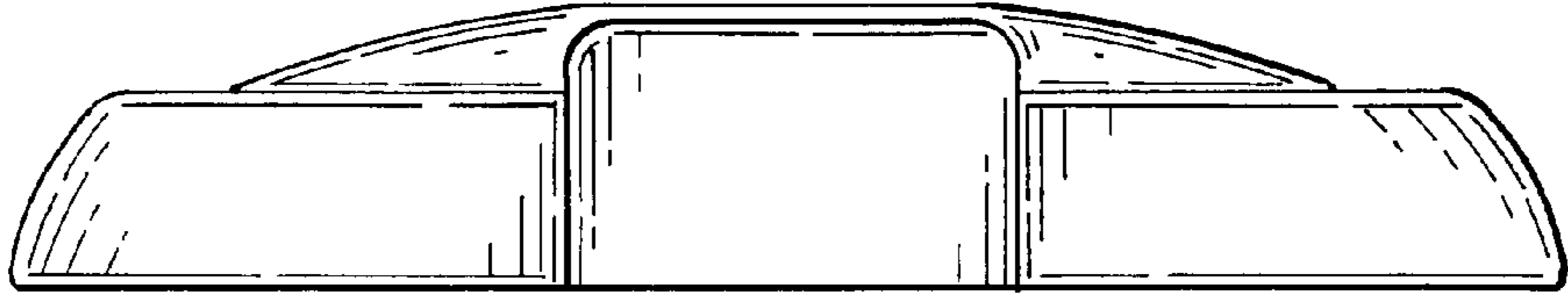


FIG. 2

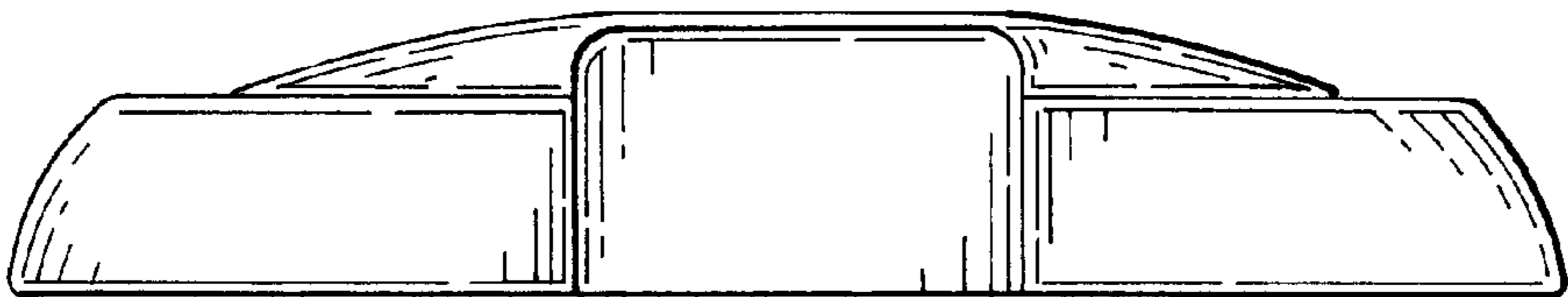


FIG. 3

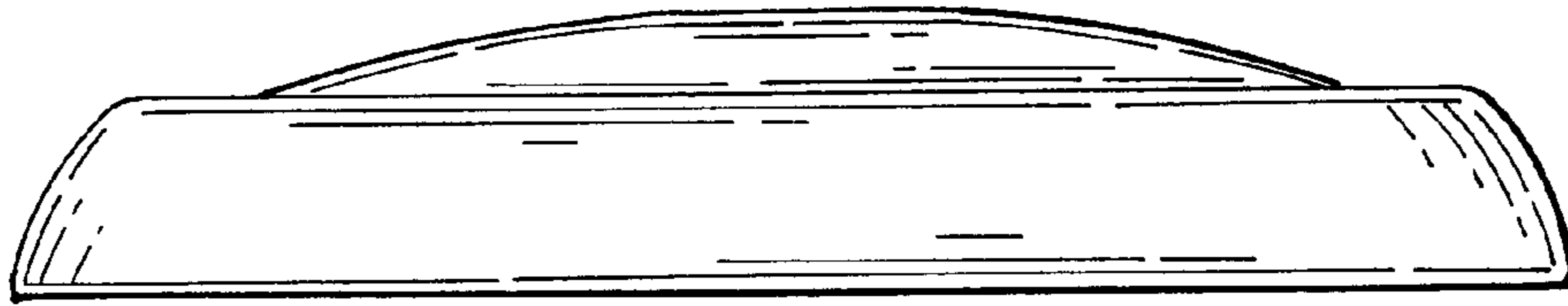


FIG. 4

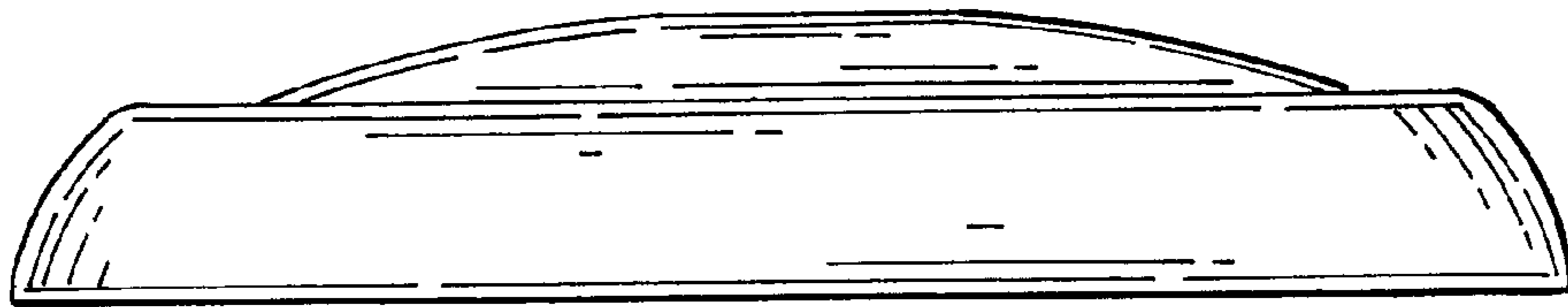


FIG. 5

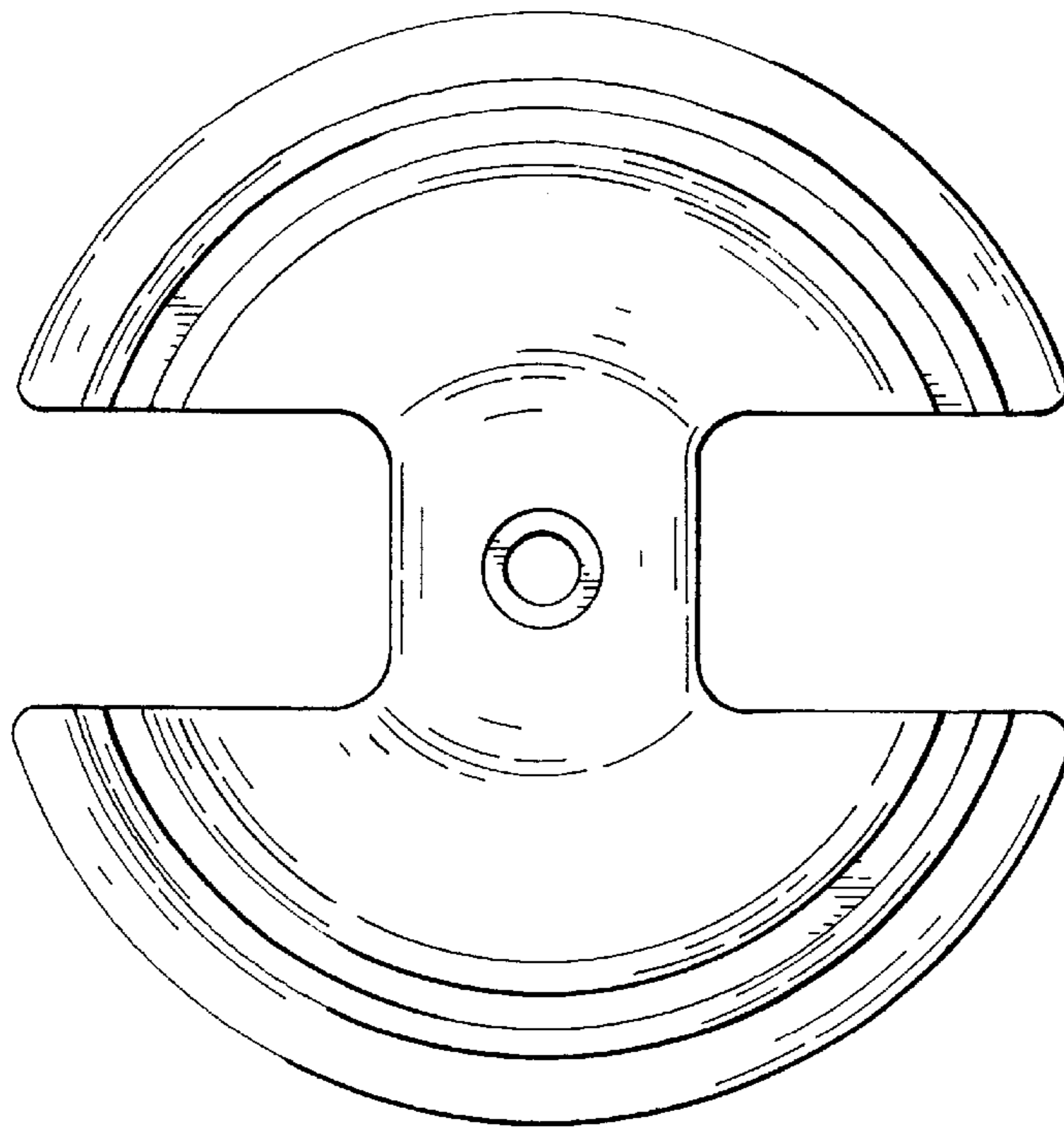


FIG. 6

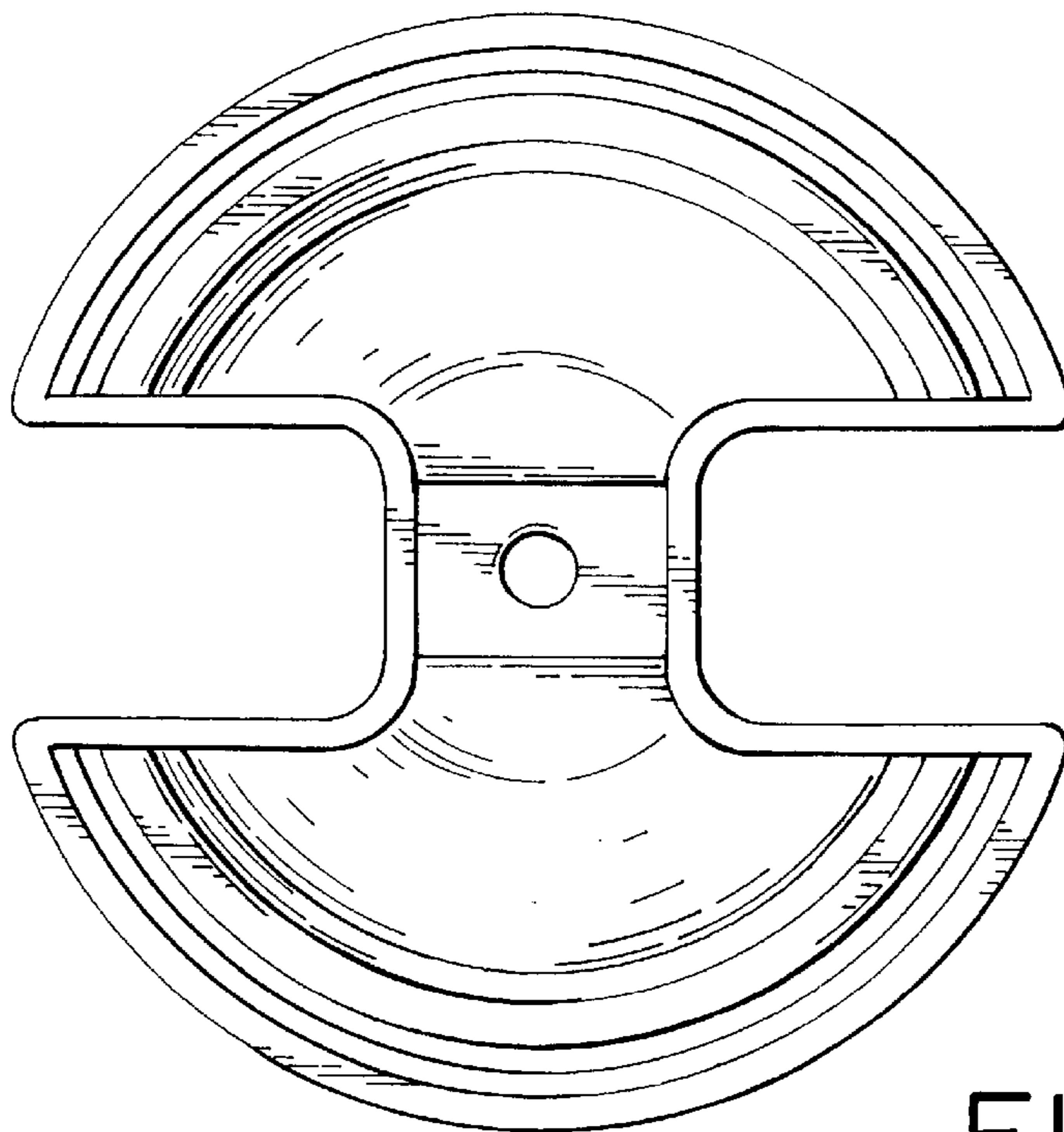


FIG. 7

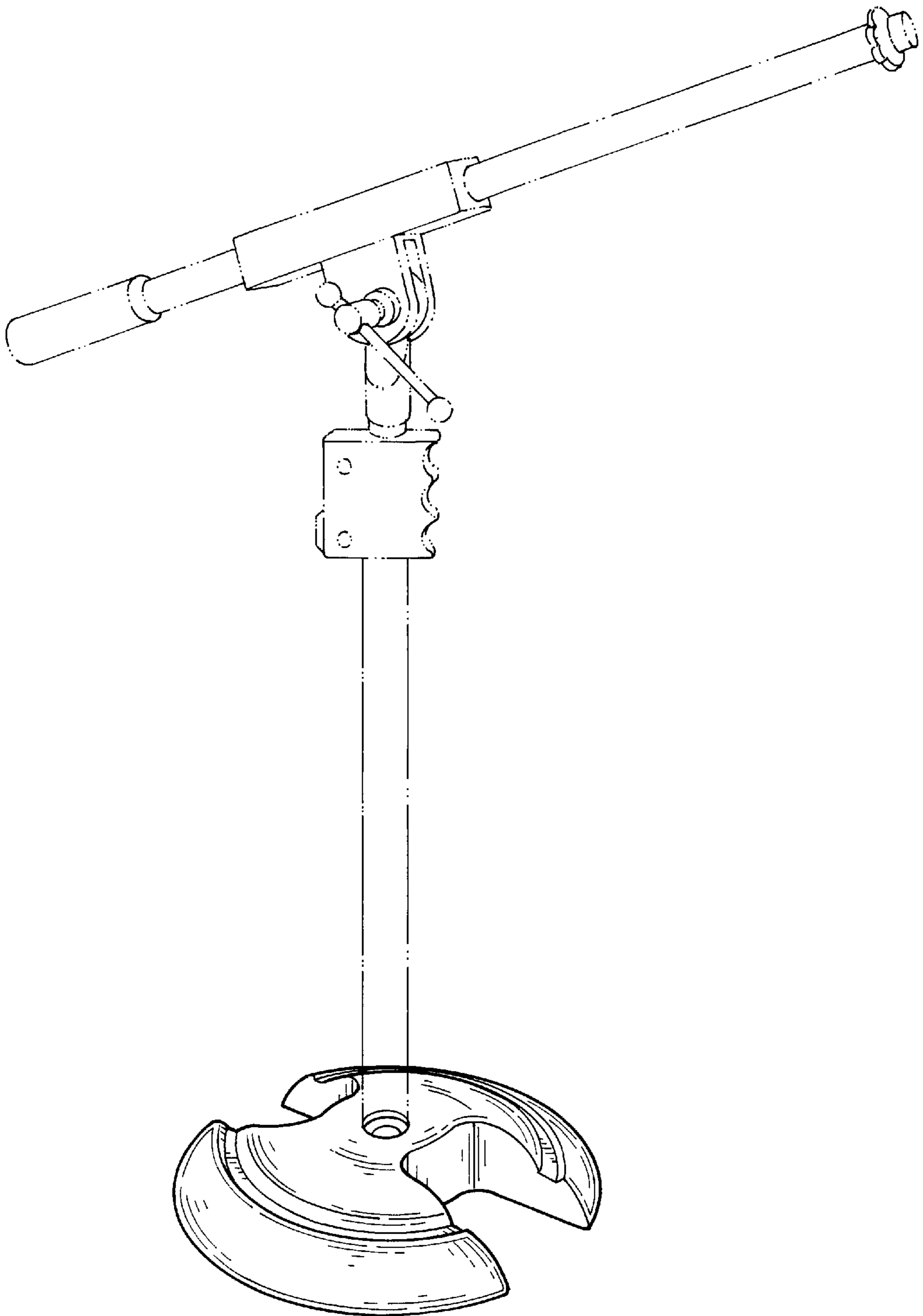


FIG. 8