



US00D475992S

(12) **United States Design Patent**  
**Tomotaro**

(10) **Patent No.:** **US D475,992 S**

(45) **Date of Patent:** **\*\* Jun. 17, 2003**

(54) **SPEAKER**

(75) **Inventor:** **Koiwa Tomotaro, Tokyo (JP)**

(73) **Assignee:** **Kabushiki Kaisha Kenwood, Tokyo (JP)**

(\*\*) **Term:** **14 Years**

(21) **Appl. No.:** **29/154,589**

(22) **Filed:** **Jan. 24, 2002**

(30) **Foreign Application Priority Data**

Oct. 22, 2001 (JP) ..... 2001-030900

(51) **LOC (7) Cl.** ..... **14-01**

(52) **U.S. Cl.** ..... **D14/216**

(58) **Field of Search** ..... D14/204, 207-216,  
D14/221-222, 224; 181/144-145, 147-148,  
150, 153, 157, 198-199; 381/300-302,  
307, 359, 361-364, 386

(56) **References Cited**

**U.S. PATENT DOCUMENTS**

D188,542 S \* 8/1960 Levy et al. .... D14/216

D288,807 S \* 3/1987 Hlavaty ..... D14/215

5,395,288 A \* 3/1995 Kizak ..... 381/186

D419,561 S \* 1/2000 Haase et al. .... D14/216

D448,017 S \* 9/2001 Hasbrook ..... D14/216

\* cited by examiner

*Primary Examiner*—Nanda Bondade

(74) *Attorney, Agent, or Firm*—Reed Smith LLP

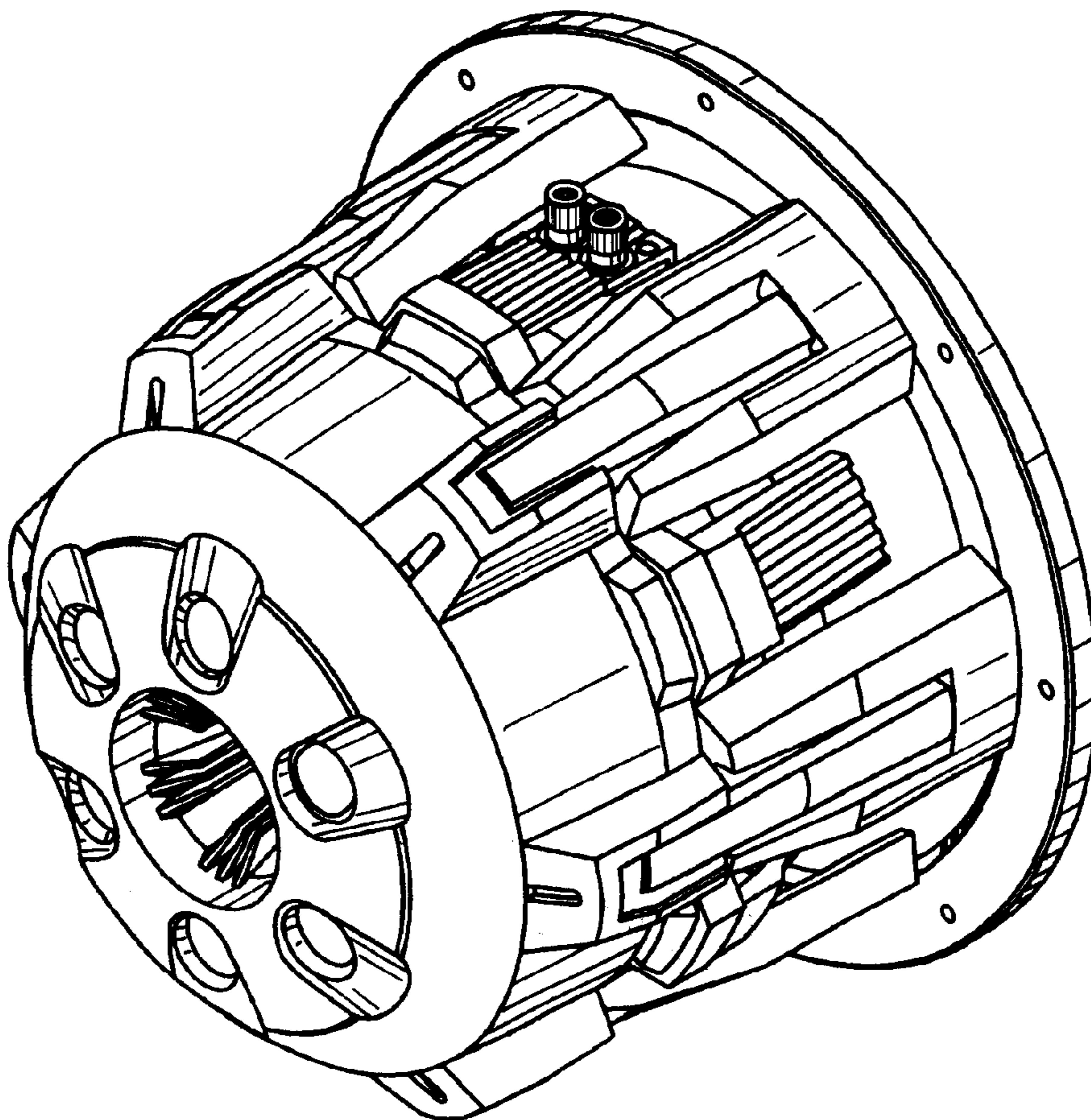
(57) **CLAIM**

The ornamental design for a speaker, as shown and described.

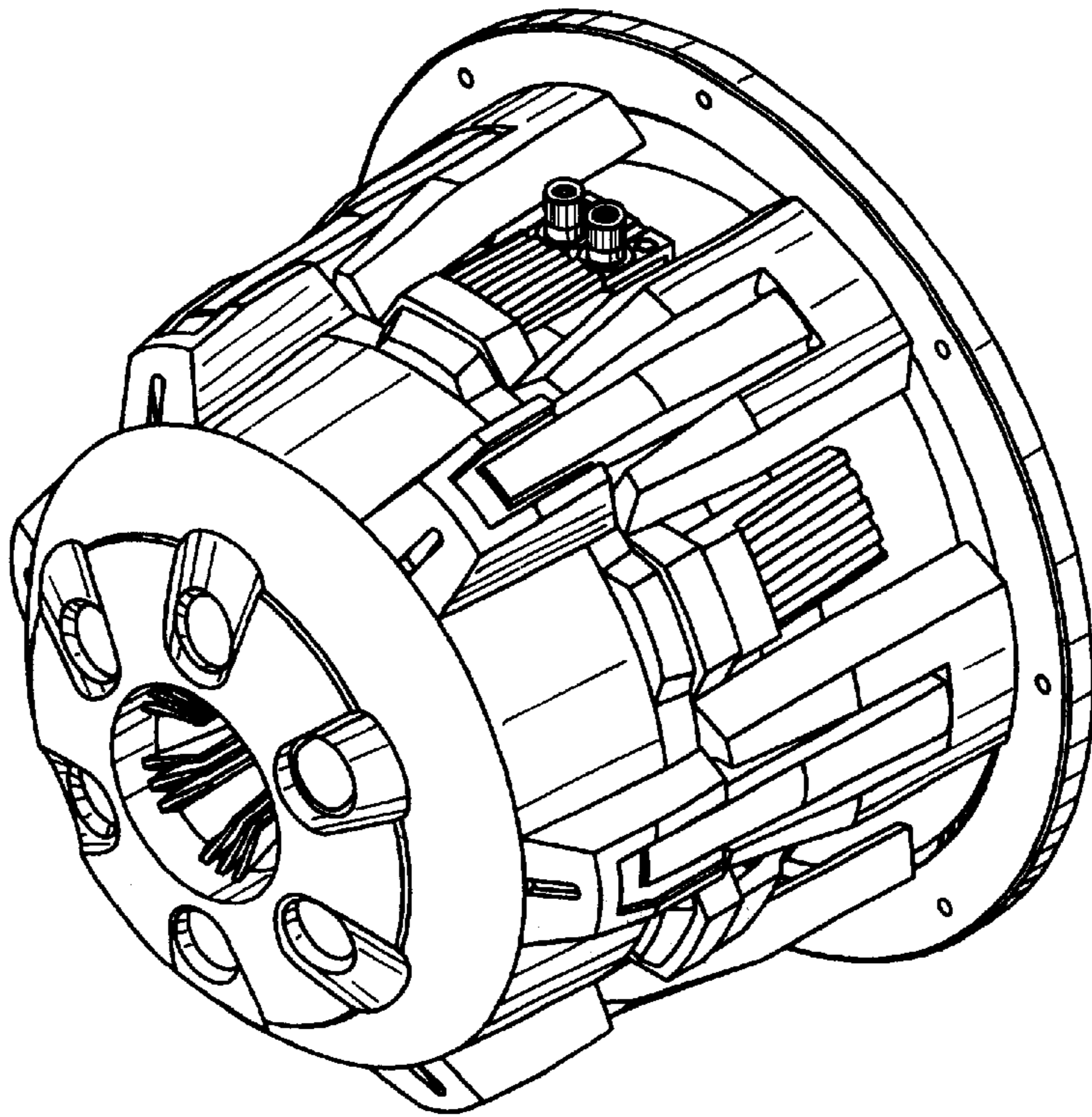
**DESCRIPTION**

FIG. 1 is a perspective view of the speaker.  
FIG. 2 is a front elevational view of the FIG. 1 device.  
FIG. 3 is a left elevational view of the FIG. 1 device.  
FIG. 4 is a right elevational view of the FIG. 1 device.  
FIG. 5 is a rear elevational view of the FIG. 1 device.  
FIG. 6 is a top elevational view of the FIG. 1 device; and,  
FIG. 7 is a bottom elevational view of the FIG. 1 device.  
Applicant hereby disclaims the broken line feature in FIG. 5.

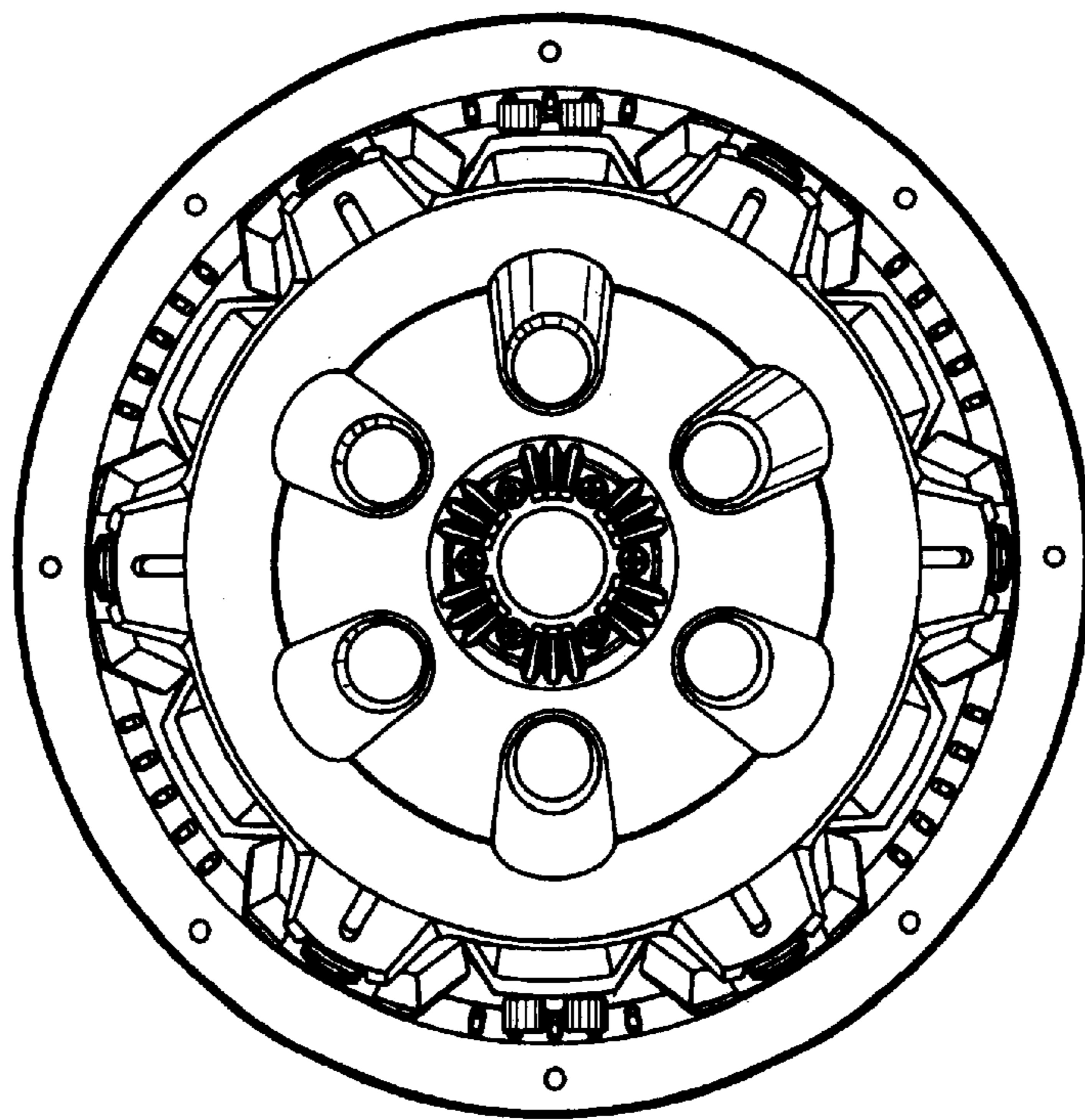
**1 Claim, 4 Drawing Sheets**



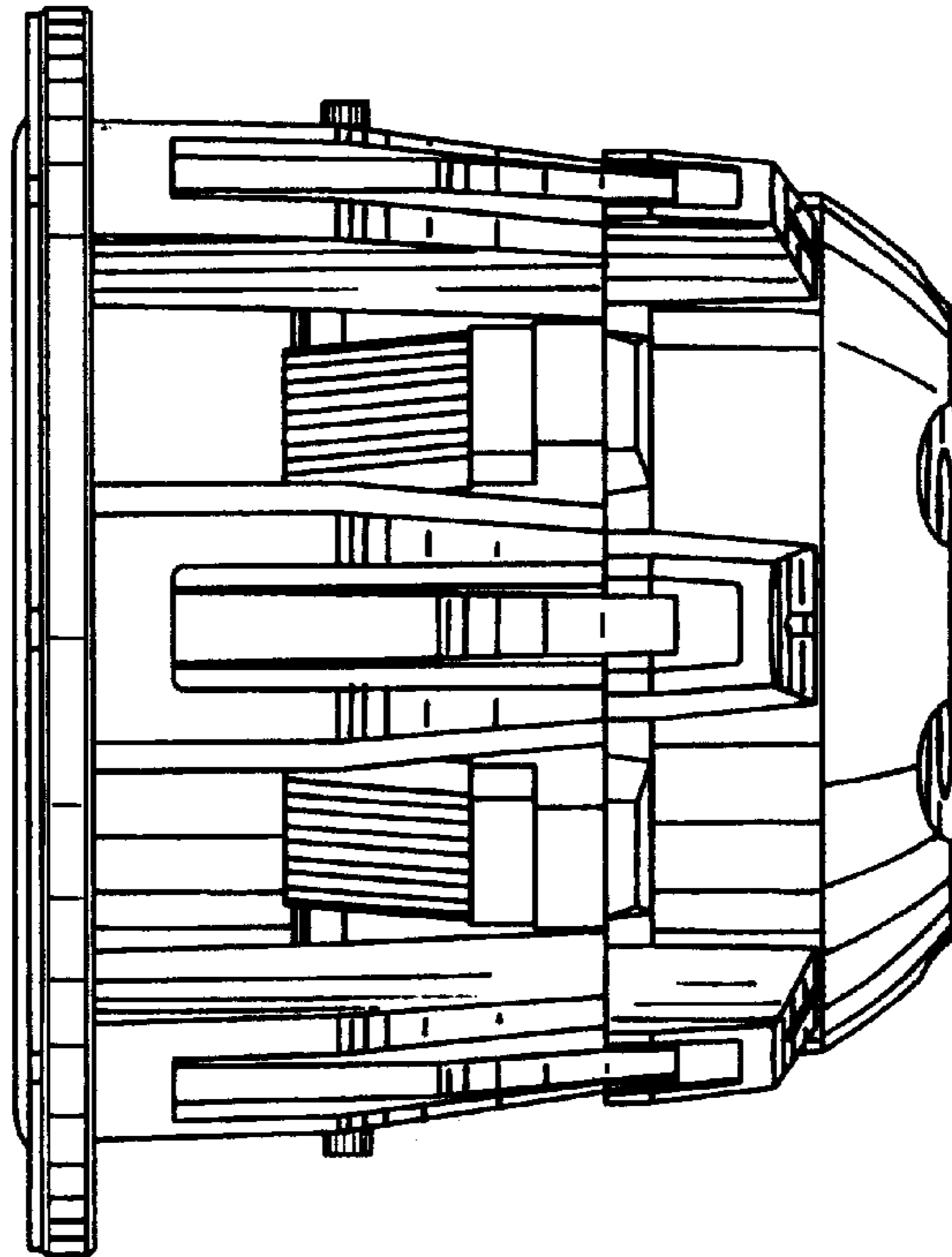
**FIG.1**



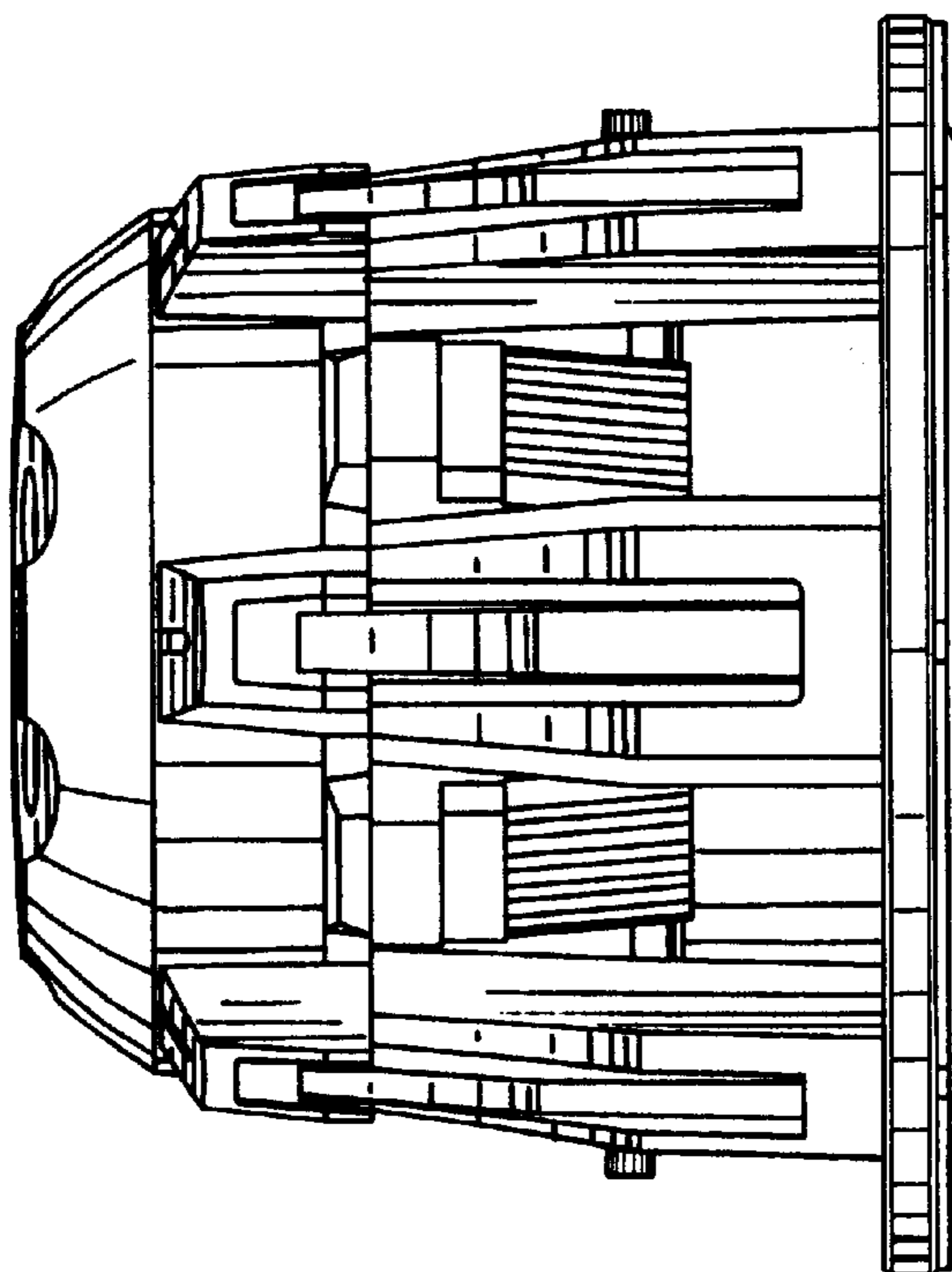
**FIG.2**



**FIG.3**

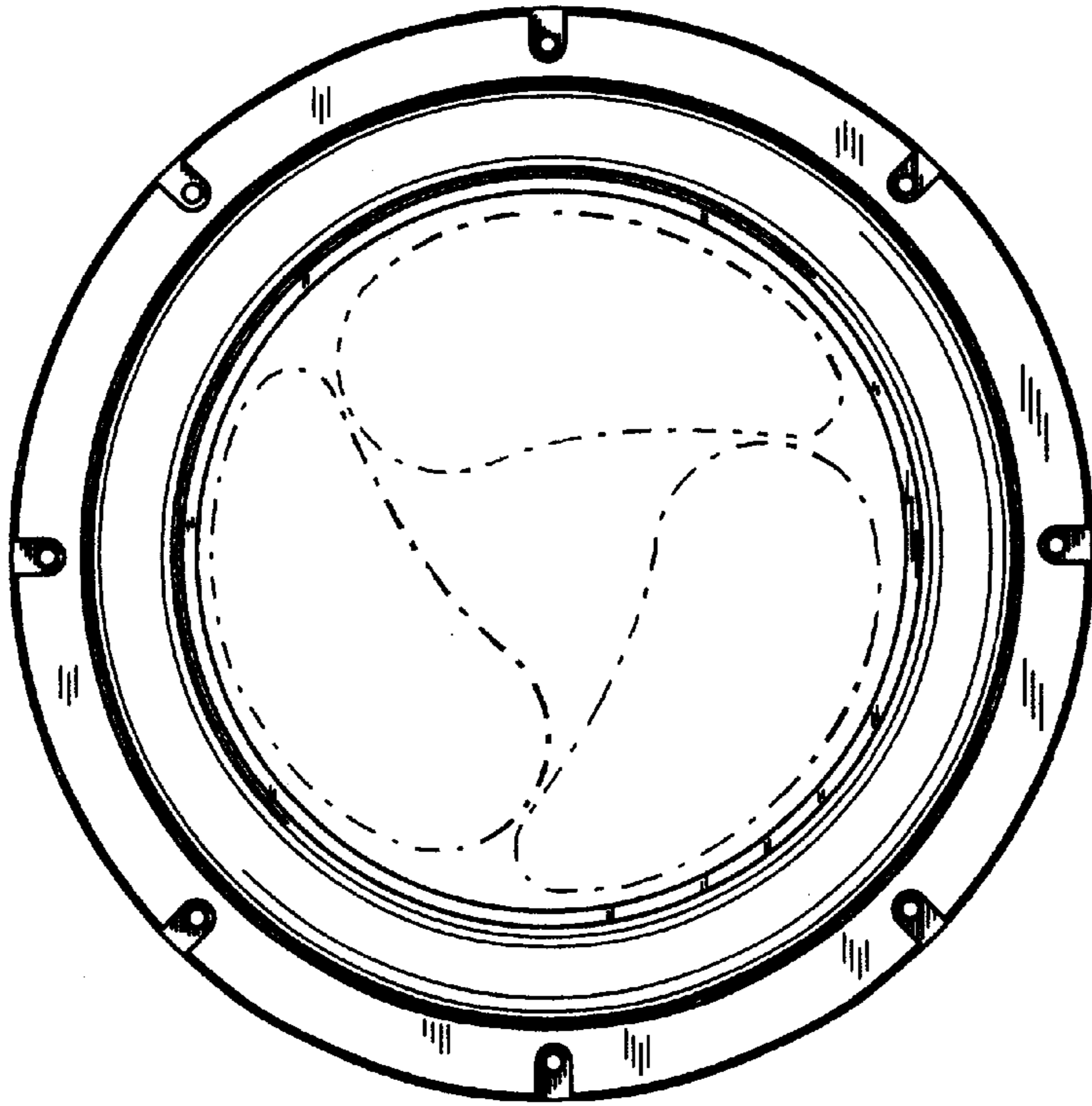


**FIG.4**

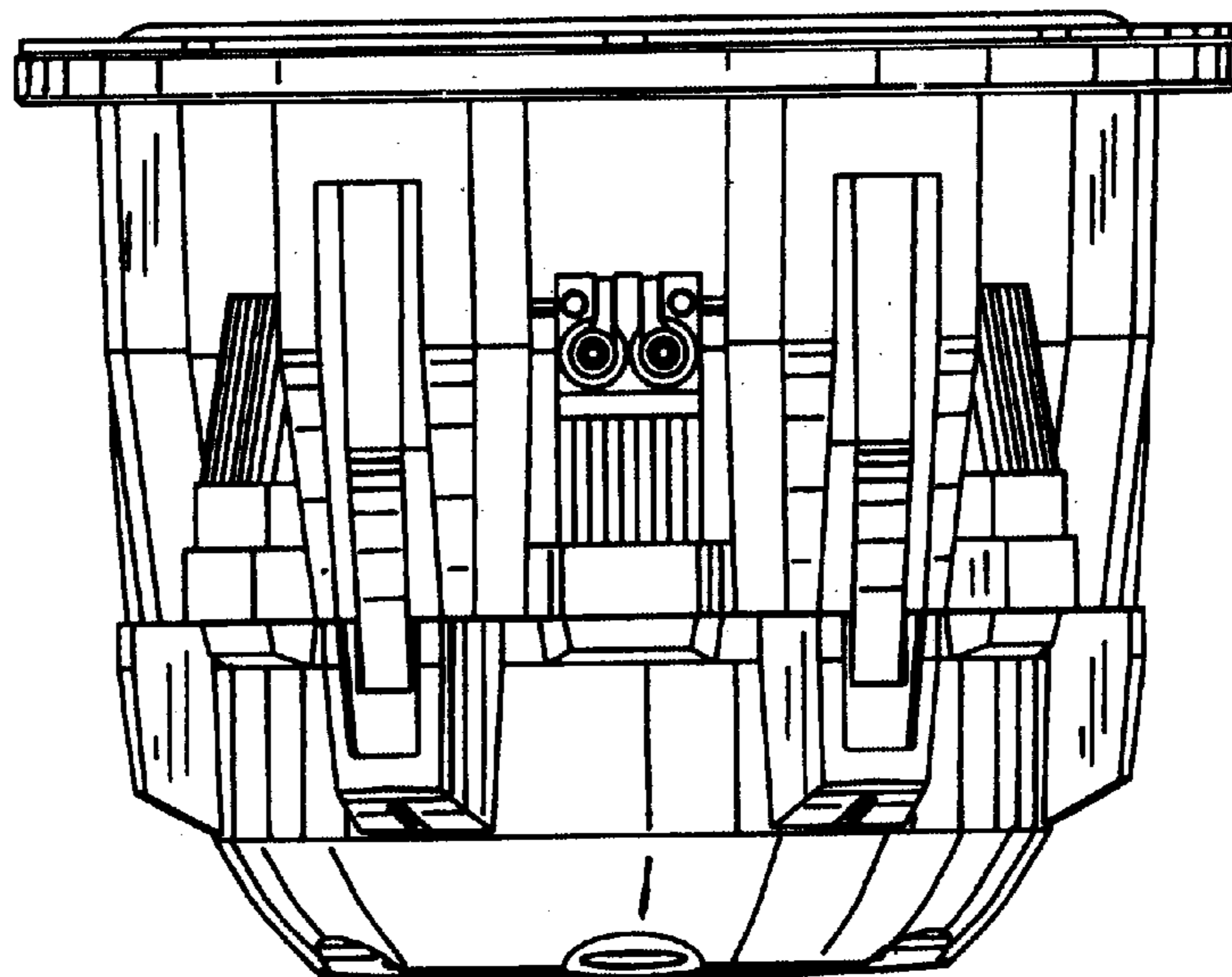




**FIG.5**



**FIG.6**



**FIG. 7**

