



US00D475989S

(12) **United States Design Patent**
Hussaini et al.

(10) **Patent No.:** **US D475,989 S**

(45) **Date of Patent:** **** Jun. 17, 2003**

(54) **RADIO**

(75) Inventors: **Saied Hussaini**, Miami, FL (US); **Marc Iacovelli**, Miami, FL (US)

(73) Assignee: **Intec, Inc.**, Miami, FL (US)

(**) Term: **14 Years**

(21) Appl. No.: **29/146,600**

(22) Filed: **Aug. 14, 2001**

(51) **LOC (7) Cl.** **14-03**

(52) **U.S. Cl.** **D14/197**

(58) **Field of Search** D14/160-165,
D14/167-168, 188, 193-198; D21/516;
455/344-345, 347, 350-351

(56) **References Cited**

U.S. PATENT DOCUMENTS

D379,456 S * 5/1997 Osiecki D14/167
D399,843 S * 10/1998 Masamitsu D14/160

D400,879 S * 11/1998 Lo D14/167
D442,934 S * 5/2001 Volanski D14/156
D446,203 S * 8/2001 Arpe D14/156

* cited by examiner

Primary Examiner—Nanda Bondade

(74) *Attorney, Agent, or Firm*—Liniak, Berenato & White

(57) **CLAIM**

The ornamental design for a radio, as shown and described.

DESCRIPTION

FIG. 1 is a Top View of the radio according to the present invention.

FIG. 2 is a bottom view of the radio of FIG. 1.

FIG. 3 is a front view of the radio of FIG. 1.

FIG. 4 is a rear view of the radio of FIG. 1.

FIG. 5 is a right side view of the radio of FIG. 1.

FIG. 6 is a left side view of the radio of FIG. 1; and,

FIG. 7 is a front elevational perspective view of the radio of FIG. 1.

1 Claim, 4 Drawing Sheets

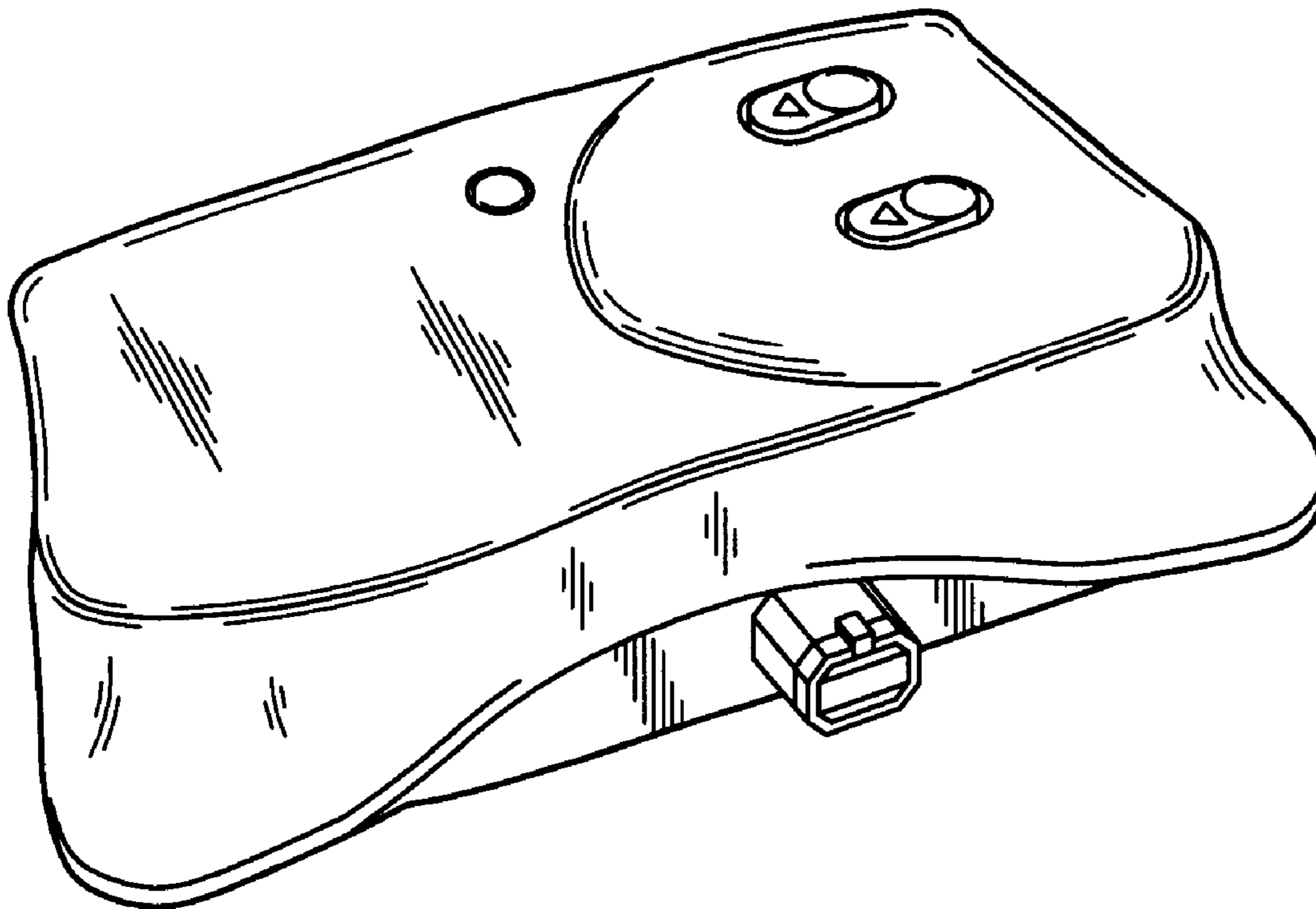


Fig. 1

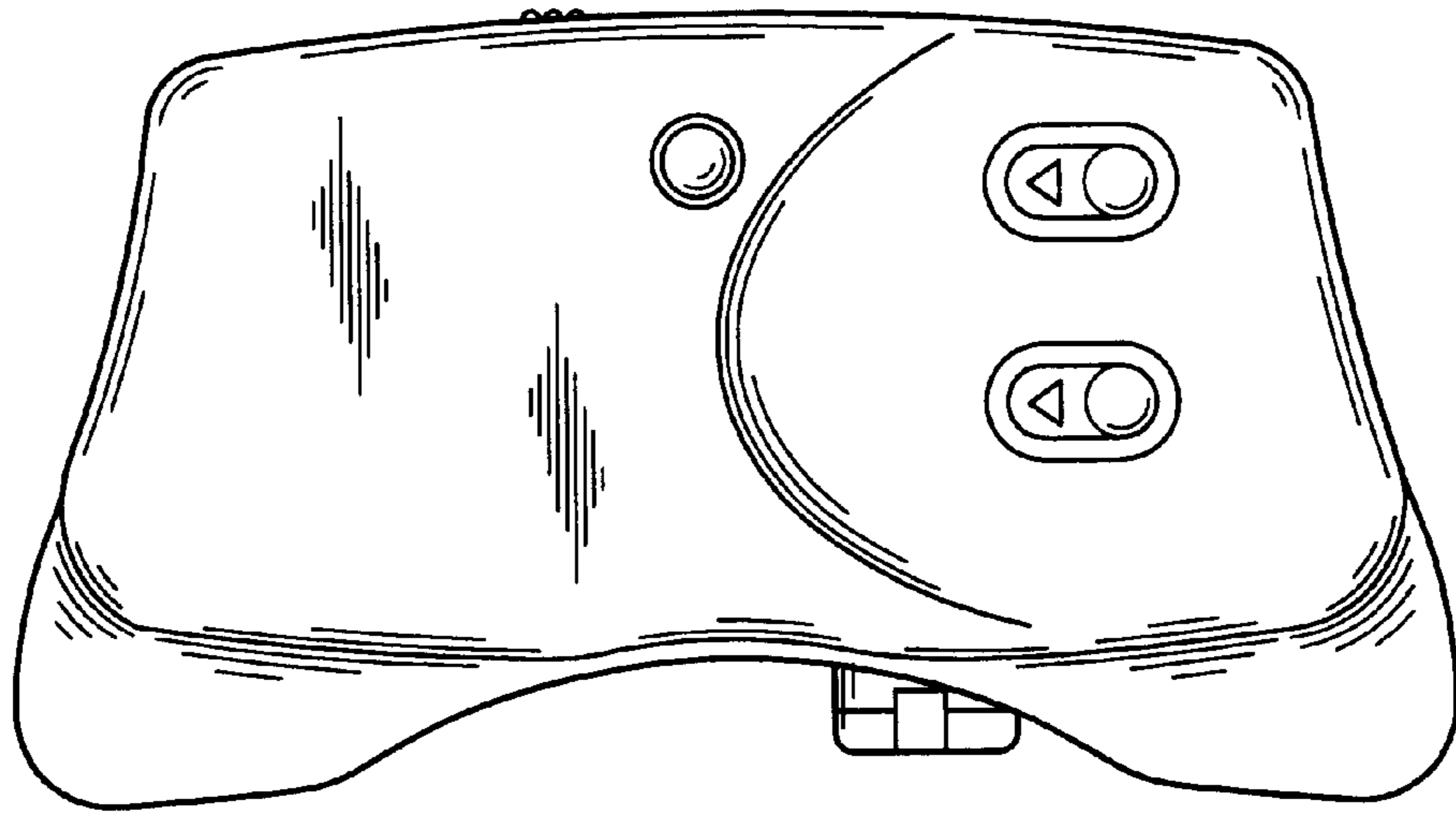


Fig. 2

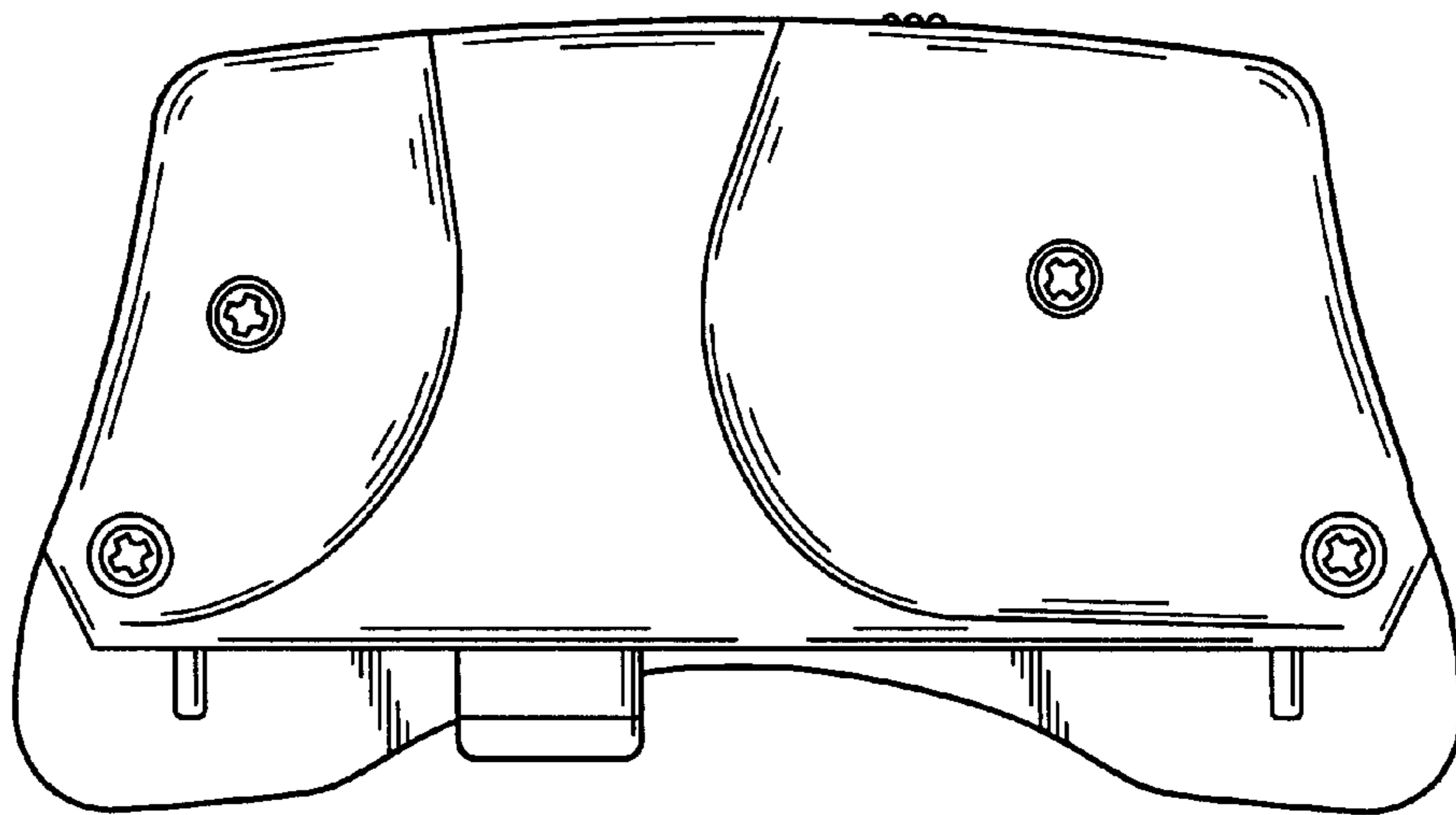


Fig. 3

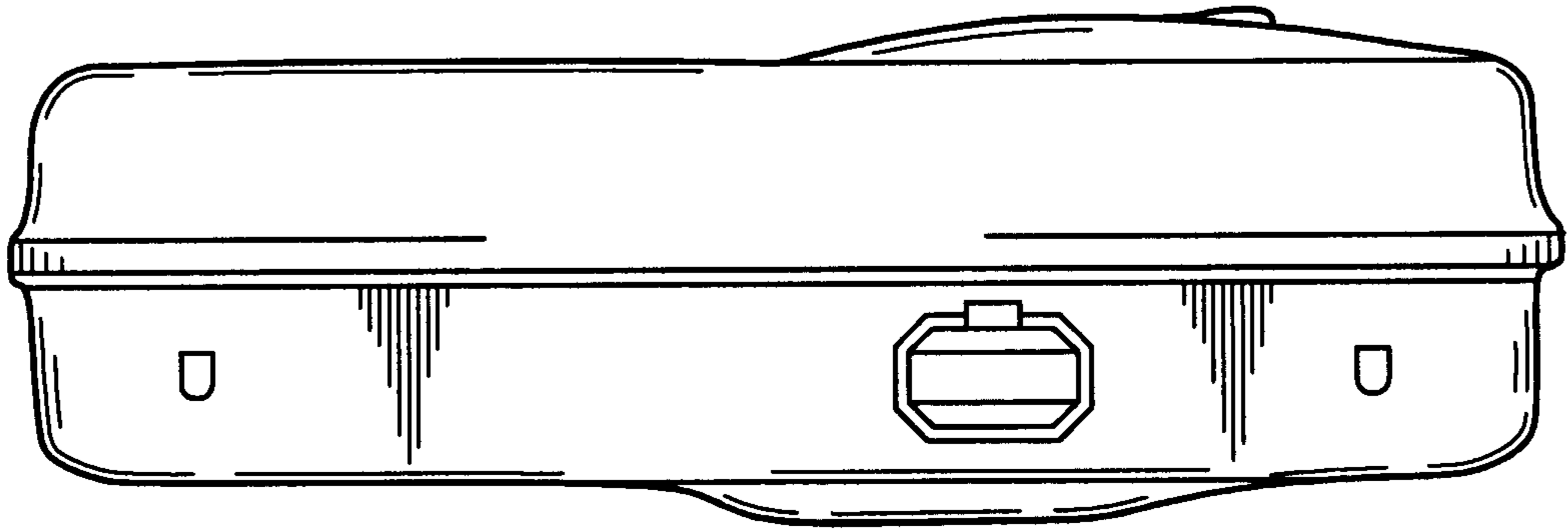


Fig. 4

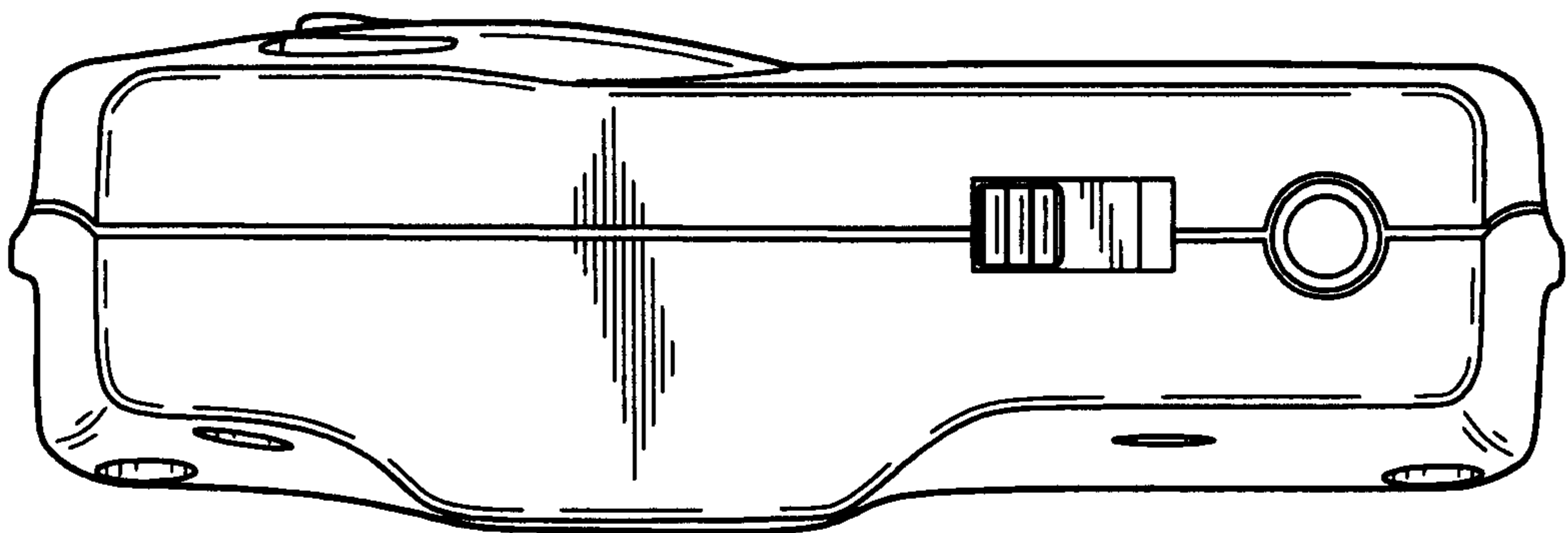


Fig. 5

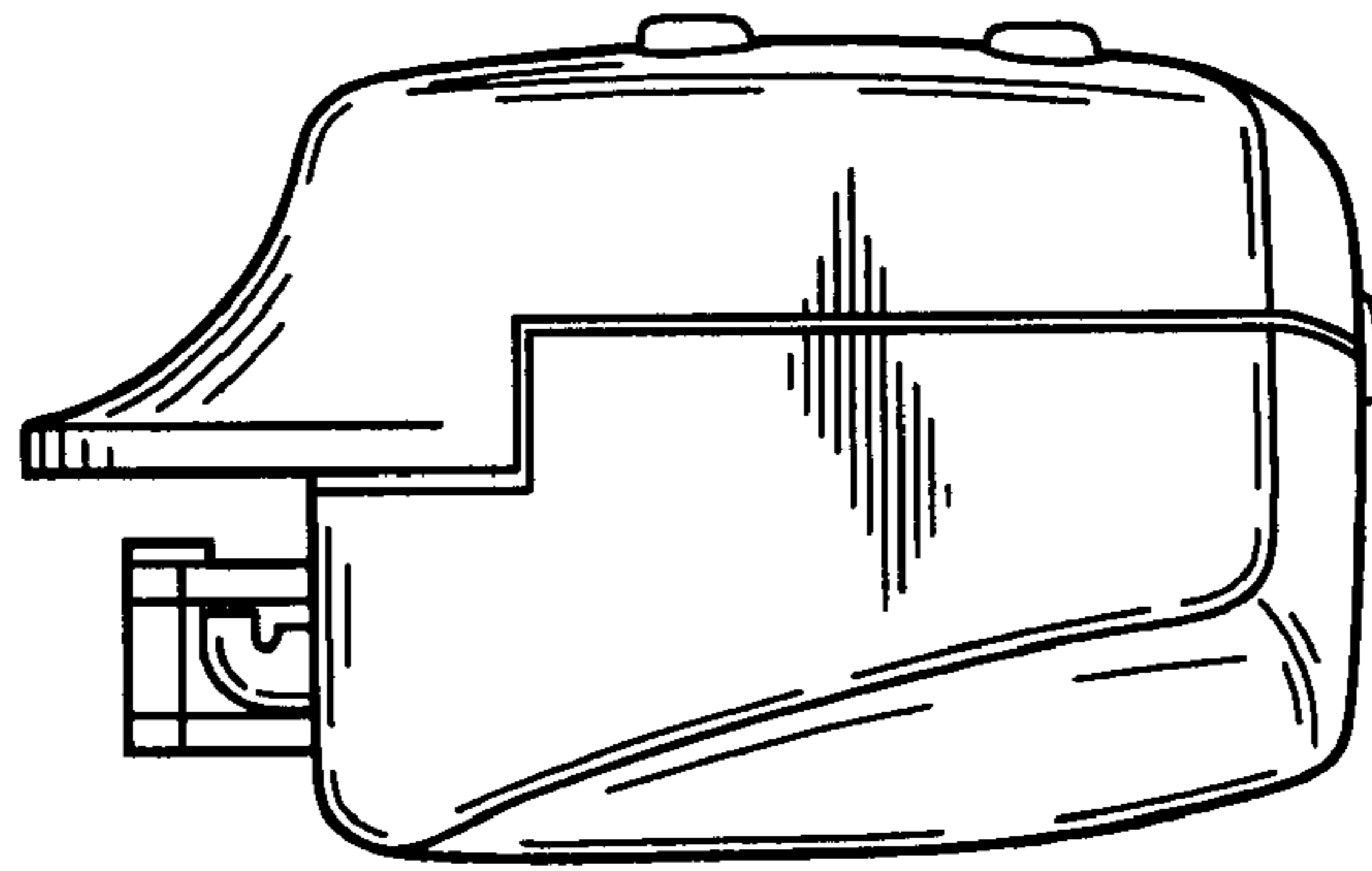


Fig. 6

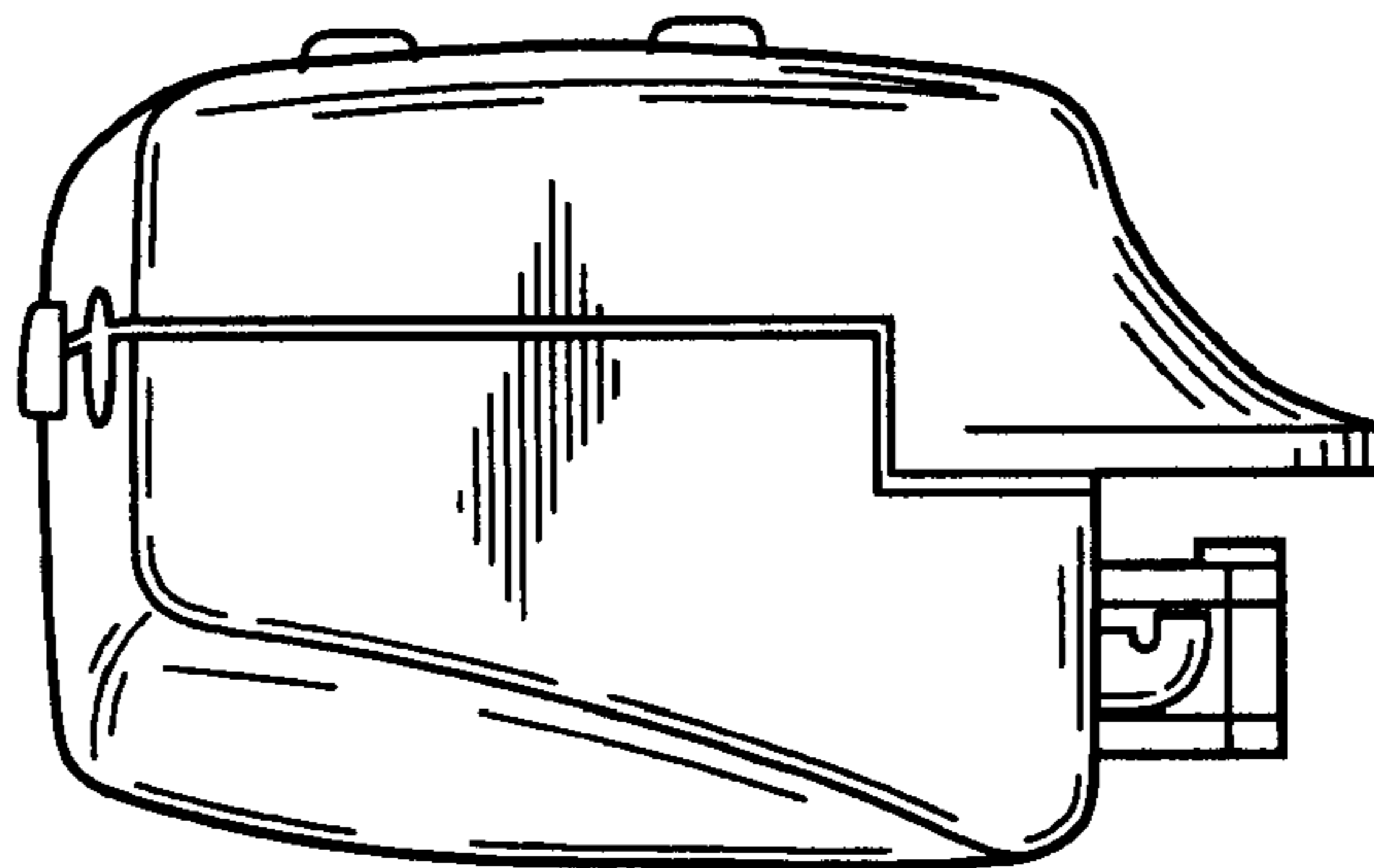


Fig. 7

