



US00D475987S

(12) **United States Design Patent**  
**Lee et al.**

(10) **Patent No.:** **US D475,987 S**  
(45) **Date of Patent:** **\*\* Jun. 17, 2003**

(54) **CELLULAR PHONE**

(75) Inventors: **Jae-Kyung Lee**, Kyunggi-do (KR);  
**Huun-Min Kim**, Seoul (KR)

(73) Assignee: **Appeal Telecom Co., Ltd.** (KR)

(\*\*) Term: **14 Years**

(21) Appl. No.: **29/168,234**

(22) Filed: **Sep. 30, 2002**

(30) **Foreign Application Priority Data**

Aug. 8, 2002 (KR) ..... 2002-22684

(51) **LOC (7) Cl.** ..... **14-03**

(52) **U.S. Cl.** ..... **D14/138**

(58) **Field of Search** ..... D14/137, 138,  
D14/218, 147-148, 247-248, 144, 341-347;  
379/433.01-433.13, 419, 434, 428.01-428.04,  
420.01-420.04, 440; 455/550-575, 90;  
D21/517

(56) **References Cited**

**U.S. PATENT DOCUMENTS**

- 4,340,375 A \* 7/1982 Sakaue et al. .... 434/201
- D319,441 S \* 8/1991 Konno et al. .... D14/147
- 5,260,998 A \* 11/1993 Takagi ..... 379/433.13
- D343,171 S \* 1/1994 Taylor ..... D14/138
- D345,158 S \* 3/1994 Namba et al. .... D14/138
- D345,356 S \* 3/1994 Ando et al. .... D14/138
- D352,503 S \* 11/1994 Nagele ..... D14/138
- 5,493,690 A \* 2/1996 Shimazaki ..... 455/575
- D379,983 S \* 6/1997 Shindou ..... D14/138
- D382,556 S \* 8/1997 Jeong ..... D14/138
- D383,731 S \* 9/1997 Mieki et al. .... D14/100
- D430,566 S \* 9/2000 Chu et al. .... D14/345
- D435,837 S \* 1/2001 Suzuki et al. .... D14/138
- D443,293 S \* 6/2001 Chan ..... D18/7
- D443,614 S \* 6/2001 Do et al. .... D14/345
- 6,269,256 B1 \* 7/2001 Nakamura ..... 455/567
- D449,605 S \* 10/2001 Schebesch et al. .... D14/345

- 6,349,040 B2 \* 2/2002 Lefort ..... 361/814
- 6,381,447 B1 \* 4/2002 Eguchi ..... 455/90
- D459,326 S \* 6/2002 Nagai et al. .... D14/138
- 6,442,377 B1 \* 8/2002 Martensson et al. .... 455/90
- D462,959 S \* 9/2002 OaBradovich et al. .... D14/345
- 6,469,910 B2 \* 10/2002 Lefort ..... 361/814
- D465,218 S \* 11/2002 Schebesch et al. .... D14/343
- D468,279 S \* 1/2003 Kim et al. .... D14/138
- 6,505,036 B2 \* 1/2003 Zilberberg et al. .... 455/117
- 2002/0022503 A1 \* 2/2002 Lee ..... 455/566
- 2002/0169010 A1 \* 11/2002 Shoji et al. .... 455/575

**FOREIGN PATENT DOCUMENTS**

JP 0288549 \* 11/1988

\* cited by examiner

*Primary Examiner*—Jeffrey Asch

(74) *Attorney, Agent, or Firm*—McGuire Woods LLP

(57) **CLAIM**

We claim the ornamental design for a cellular phone, as shown.

**DESCRIPTION**

FIG. 1 is a front perspective view of the cellular phone of the present invention;  
 FIG. 2 is a front elevation view of the cellular phone of the present invention;  
 FIG. 3 is a back elevation view of the cellular phone of the present invention;  
 FIG. 4 is a left side plan view of the cellular phone of the present invention;  
 FIG. 5 is a right side plan view of the cellular phone of the present invention;  
 FIG. 6 is a top plan view of the cellular phone of the present invention;  
 FIG. 7 is a lower plan view of the cellular phone of the present invention; and,  
 FIG. 8 is a reference view of the cellular phone of the present invention (front elevation view of unfolded state).

**1 Claim, 5 Drawing Sheets**

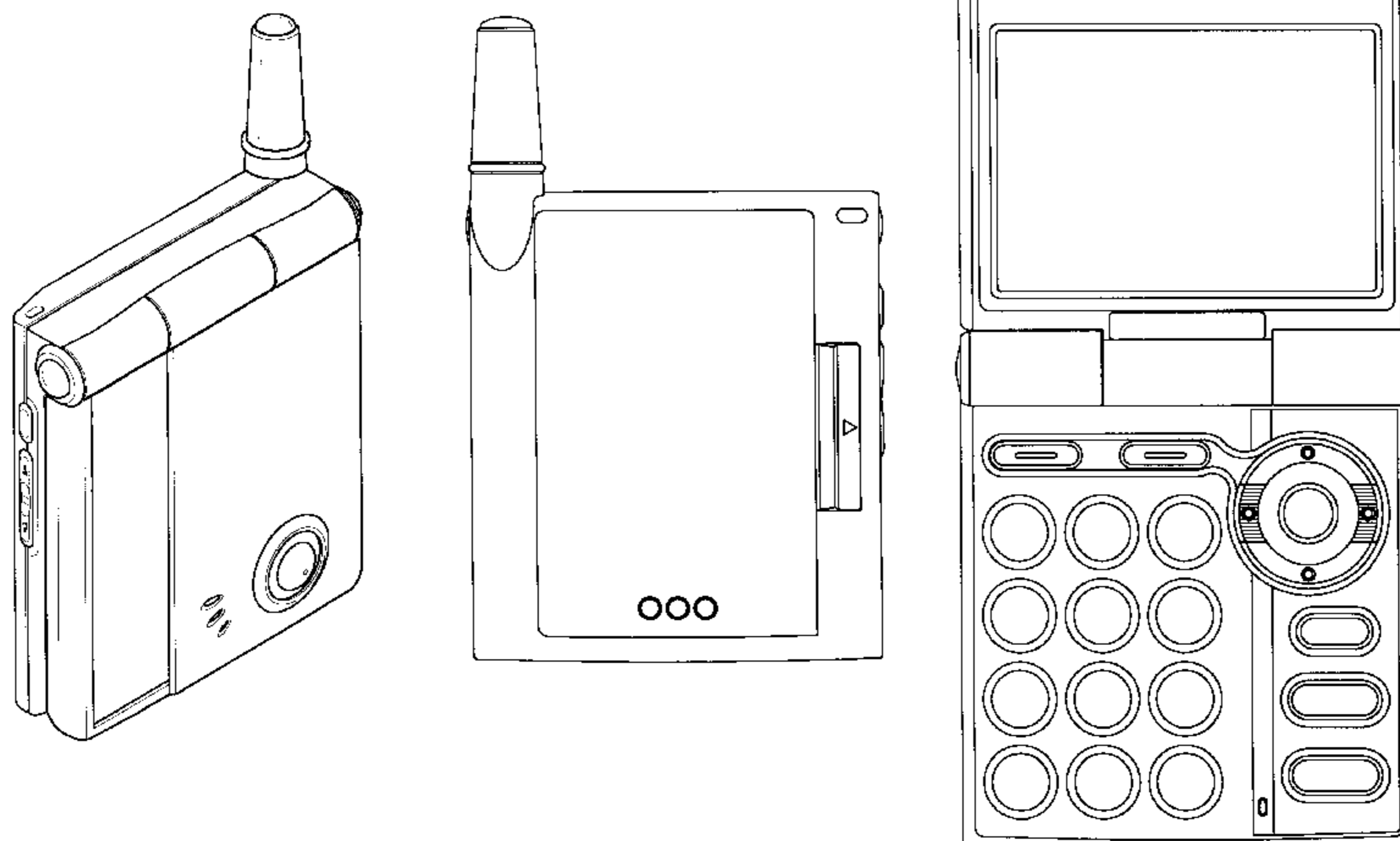


Fig. 1

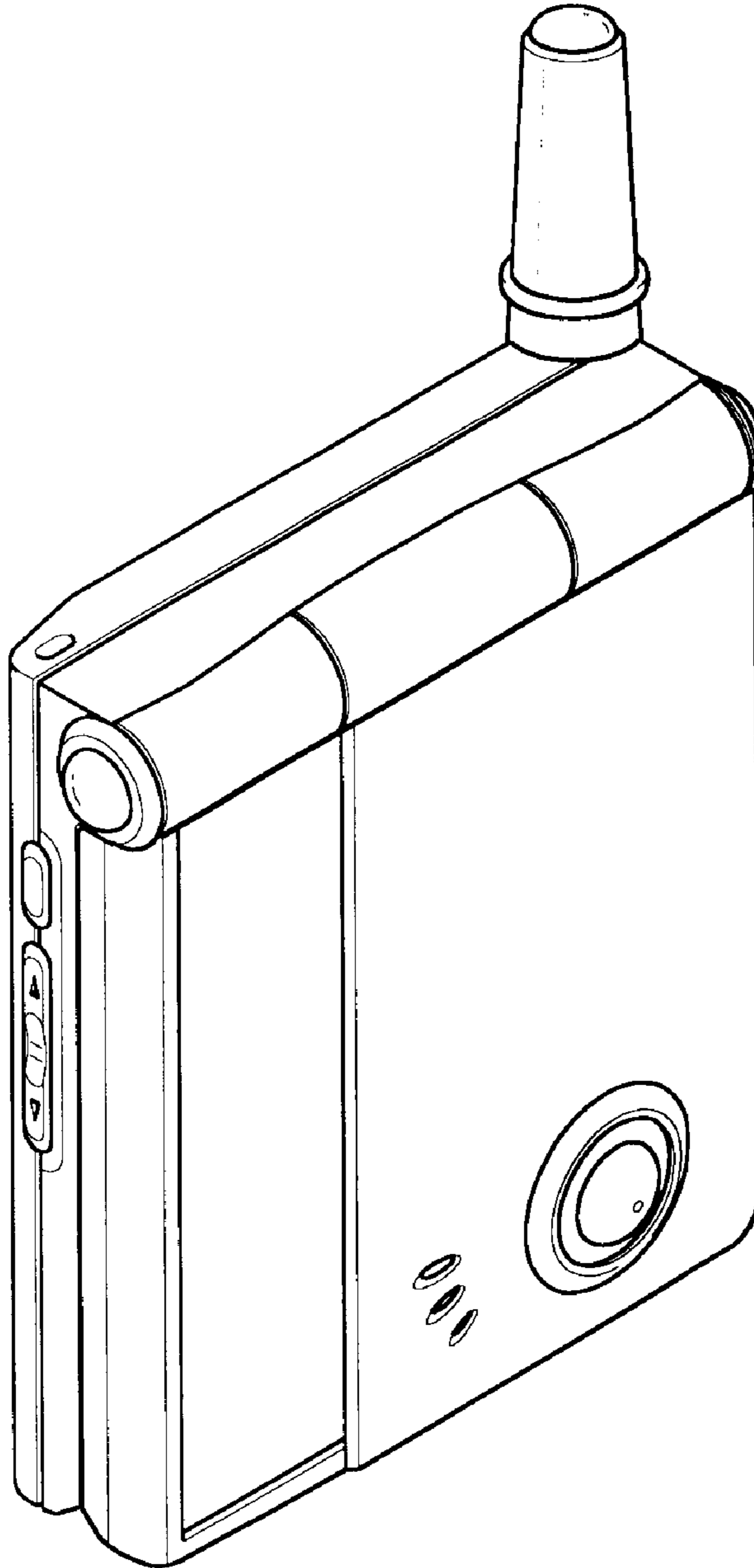


Fig. 2

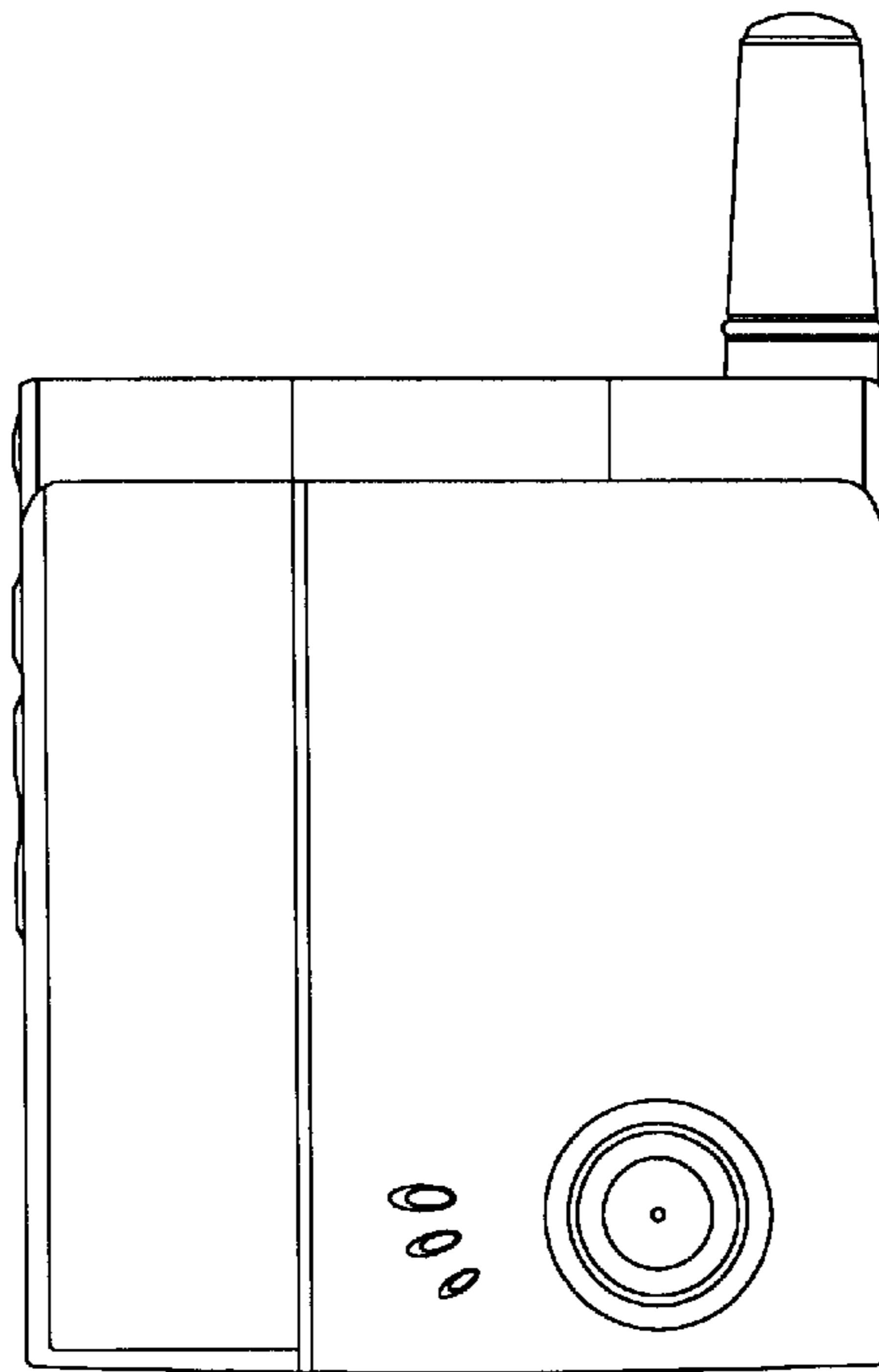


Fig. 3

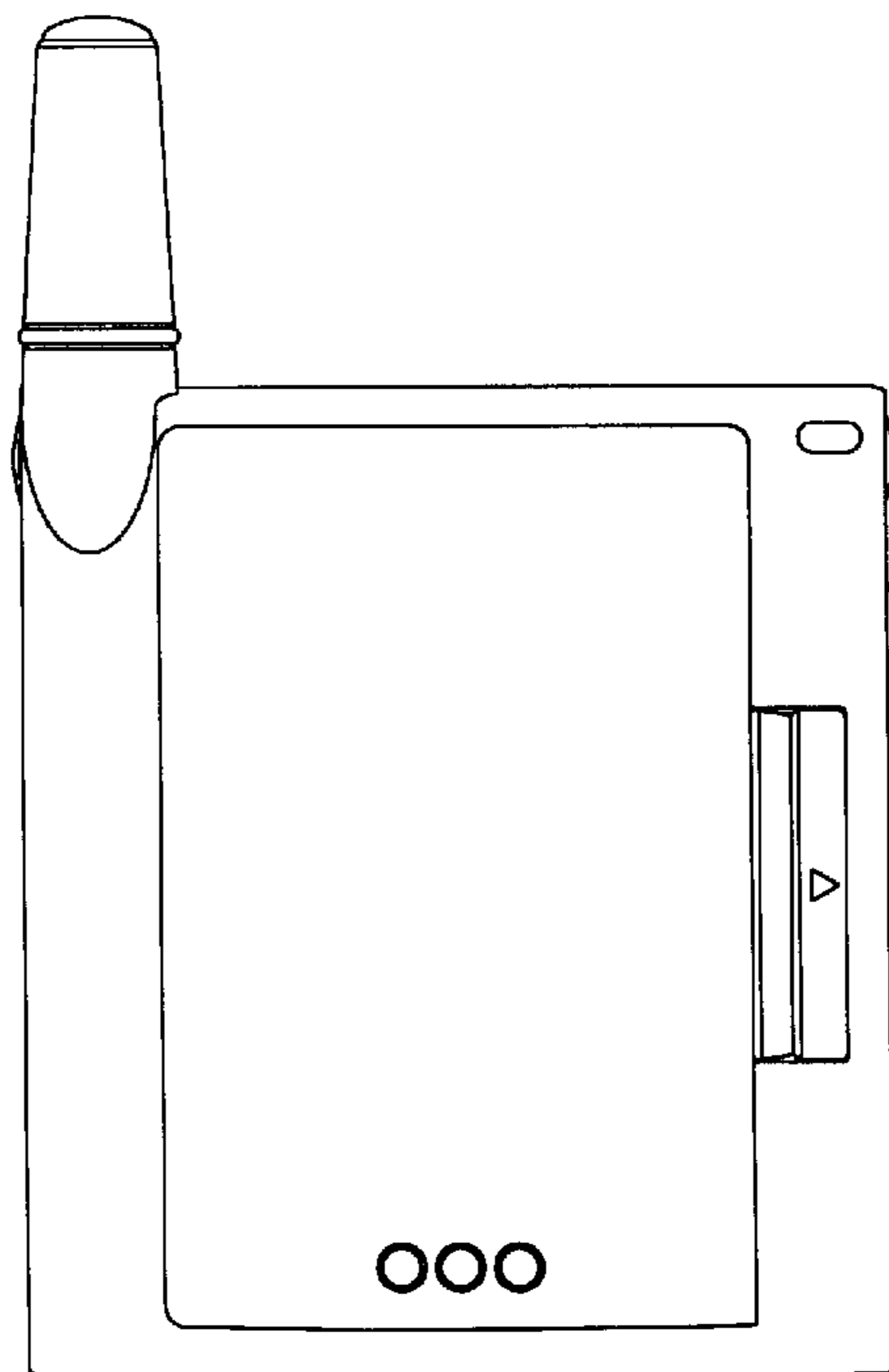


Fig. 4

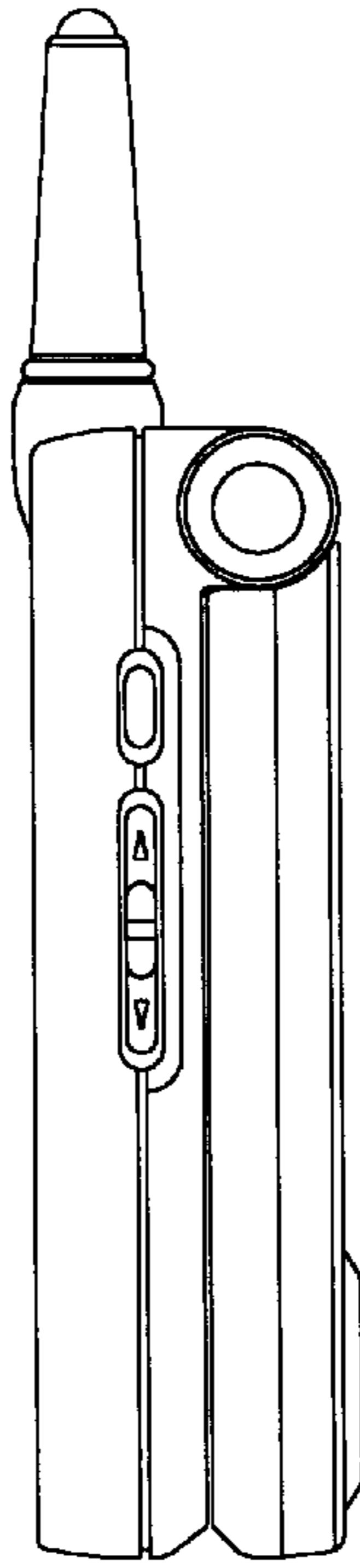


Fig. 5

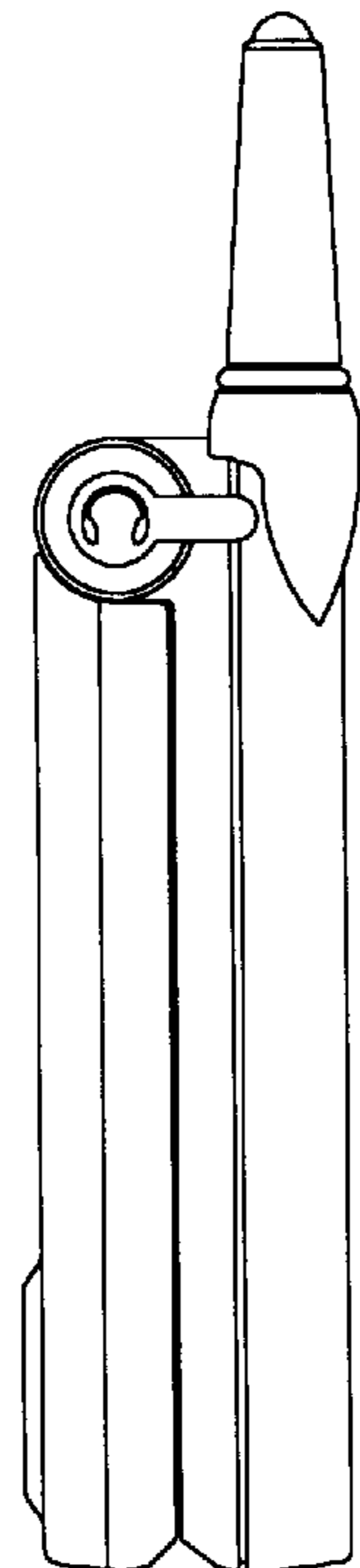


Fig. 6

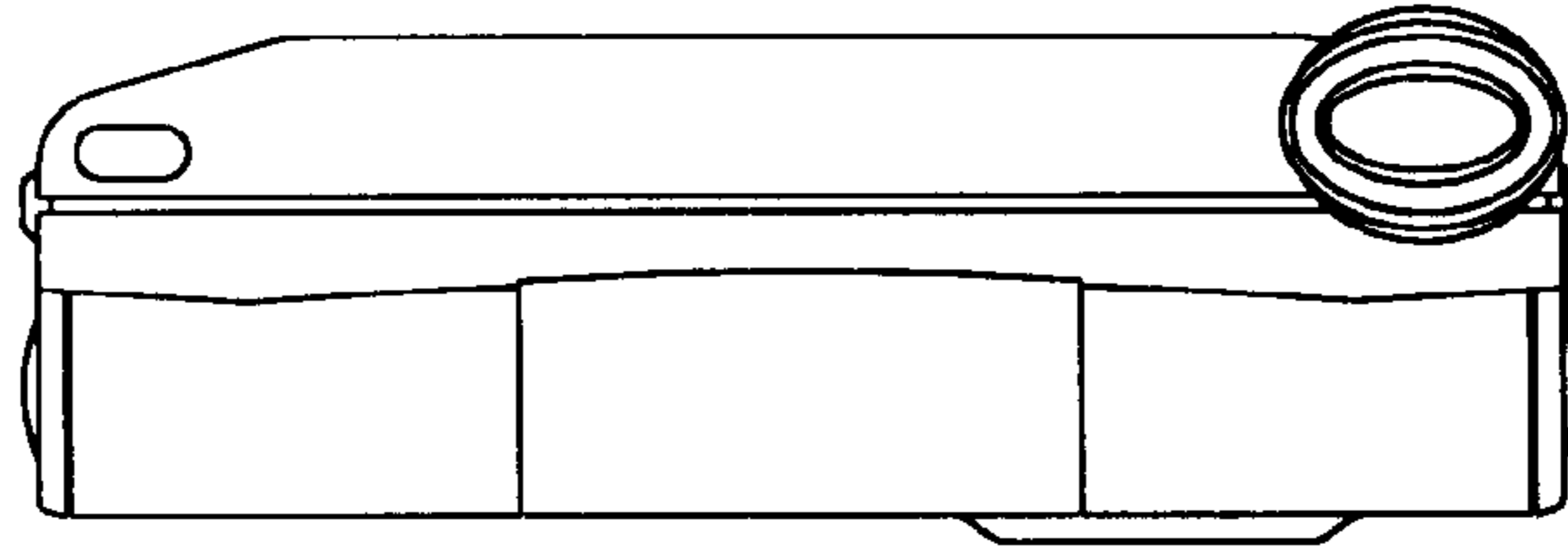


Fig. 7

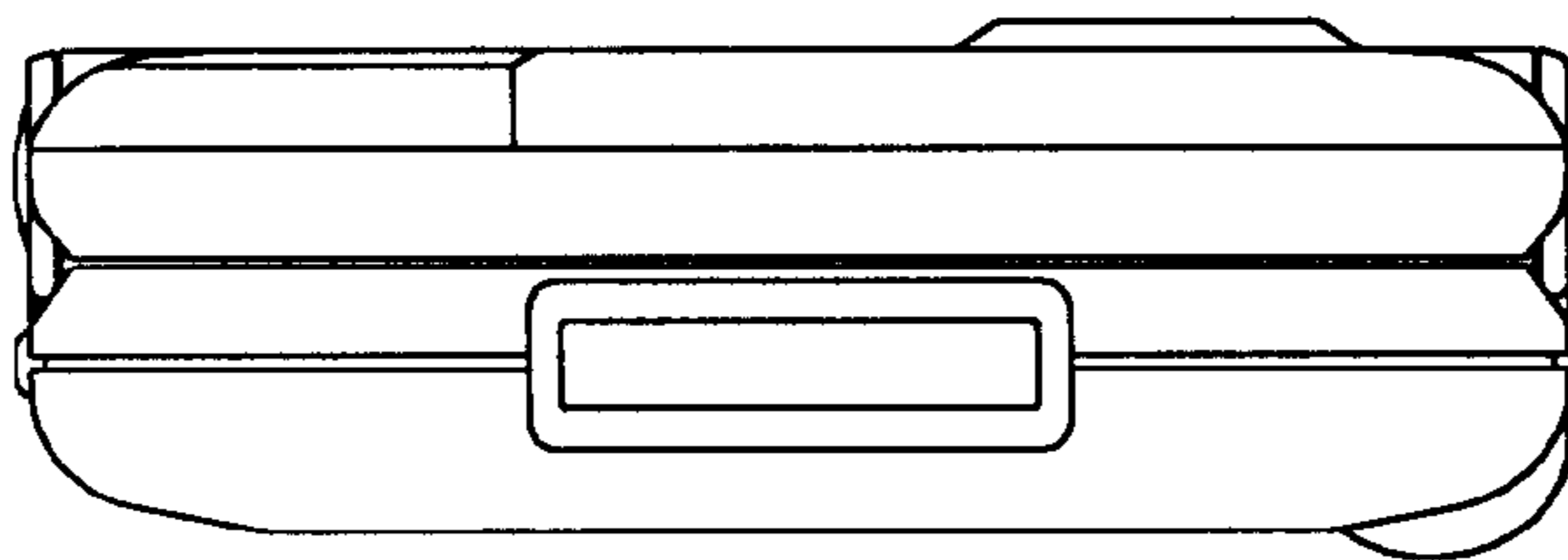


Fig. 8

