



US00D475985S

(12) **United States Design Patent**  
**Huang et al.**

(10) **Patent No.:** **US D475,985 S**

(45) **Date of Patent:** **\*\* Jun. 17, 2003**

(54) **VIDEO PHONE**

(75) Inventors: **Ennin Huang**, Arcadia, CA (US); **Fred Chan**, Los Altos Hills, CA (US); **Didier Pietri**, Fremont, CA (US); **Edward Chan**, Fremont, CA (US)

(73) Assignee: **Vialta, Inc.**, Fremont, CA (US)

(\*\*) Term: **14 Years**

(21) Appl. No.: **29/167,360**

(22) Filed: **Sep. 11, 2002**

(51) **LOC (7) Cl.** ..... **14-03**

(52) **U.S. Cl.** ..... **D14/130; D14/129**

(58) **Field of Search** ..... D14/329, 330, D14/447, 374-376, 148, 147, 126, 149-151, 136, 331, 140-142, 146, 307, 240, 241, 129, 211, 214, 130, 144, 317, 336-337; 379/420.01, 420.02, 420.03, 419, 420.04, 428.02, 428.01, 428.04, 428.03, 454, 440, 90.01, 93.17, 93.19, 93.22, 433-436, 900, 441; 348/14.01-14.16; D20/10, 1, 4; D99/28; D25/4, 16; D6/310, 314, 421; 52/27.5; 40/748, 737; D10/15, 1, 2

(56) **References Cited**

**U.S. PATENT DOCUMENTS**

- 1,778,636 A \* 10/1930 Herbert ..... 40/748
- D213,108 S \* 1/1969 Dreyfuss et al. .... D14/130
- D237,801 S \* 11/1975 Genaro et al. .... D14/130
- D274,703 S \* 7/1984 Vogel ..... D10/15
- D306,582 S \* 3/1990 Miyahara et al. .... D14/126
- D309,304 S \* 7/1990 Takada et al. .... D14/144
- D341,586 S \* 11/1993 Alvarez-Ryan et al. .... D14/130
- D346,965 S \* 5/1994 Wolff ..... D10/1
- D366,975 S \* 2/1996 Kaga ..... D6/470
- 5,586,401 A \* 12/1996 Sheehan et al. .... 40/737
- D377,340 S \* 1/1997 Brenner et al. .... D14/331

- D381,651 S \* 7/1997 Banik et al. .... D14/129
- D388,077 S \* 12/1997 Starck ..... D14/126
- D391,565 S \* 3/1998 Nanjo ..... D14/130
- D404,025 S \* 1/1999 Horne et al. .... D14/331
- D408,375 S \* 4/1999 Oba ..... D14/329
- 5,953,048 A \* 9/1999 Mikami et al. .... 348/14.01
- D415,148 S 10/1999 Ma et al.
- D418,984 S \* 1/2000 Koconis ..... D6/314
- D423,796 S \* 5/2000 Kwan ..... D6/314
- D424,049 S \* 5/2000 Ho et al. .... D14/130
- D425,875 S \* 5/2000 Wilson ..... D14/307
- D435,525 S \* 12/2000 Eddington et al. .... D14/130
- D436,630 S \* 1/2001 Gonsiorowski et al. .... D20/10
- D436,937 S \* 1/2001 Eddington et al. .... D14/130
- D438,182 S \* 2/2001 Wilson ..... D14/130
- D438,569 S \* 3/2001 Hofmann ..... D20/10
- D449,601 S \* 10/2001 Baldwin et al. .... D14/336
- D450,311 S \* 11/2001 Sawhney et al. .... D14/214
- D461,184 S \* 8/2002 Chen ..... D14/336
- D464,050 S \* 10/2002 Mori ..... D14/375
- D467,897 S \* 12/2002 Lin ..... D14/211

\* cited by examiner

*Primary Examiner*—Jeffrey Asch

(74) *Attorney, Agent, or Firm*—Milbank, Tweed, Hadley & McCloy LLP

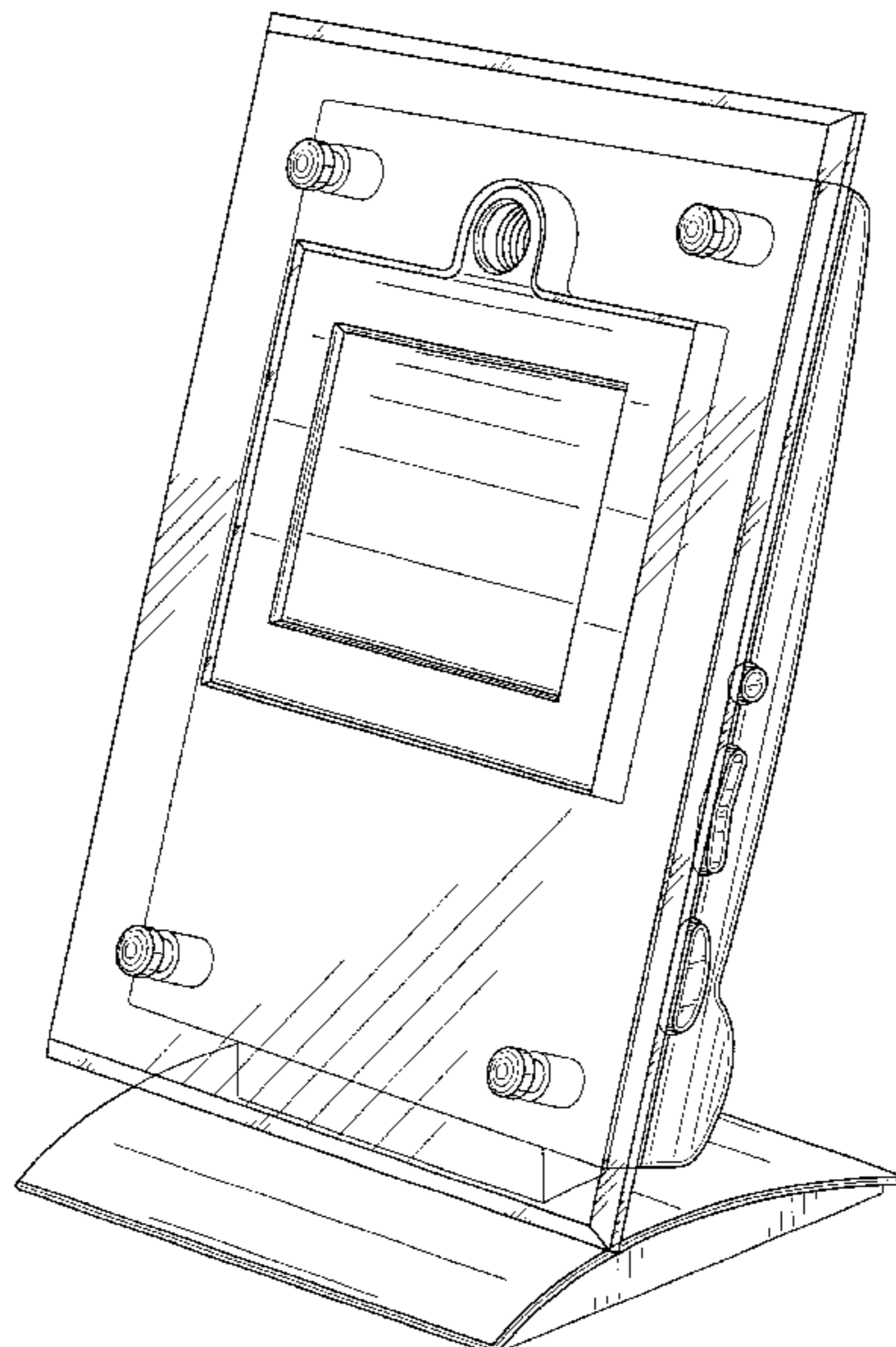
(57) **CLAIM**

The ornamental design for a video phone, as shown and described.

**DESCRIPTION**

FIG. 1 is a perspective view showing our new design for a video phone;  
FIG. 2 is a front view thereof;  
FIG. 3 is a back view thereof;  
FIG. 4 is a left side view thereof;  
FIG. 5 is a right side view thereof;  
FIG. 6 is a top view thereof; and,  
FIG. 7 is a bottom view thereof.

**1 Claim, 7 Drawing Sheets**



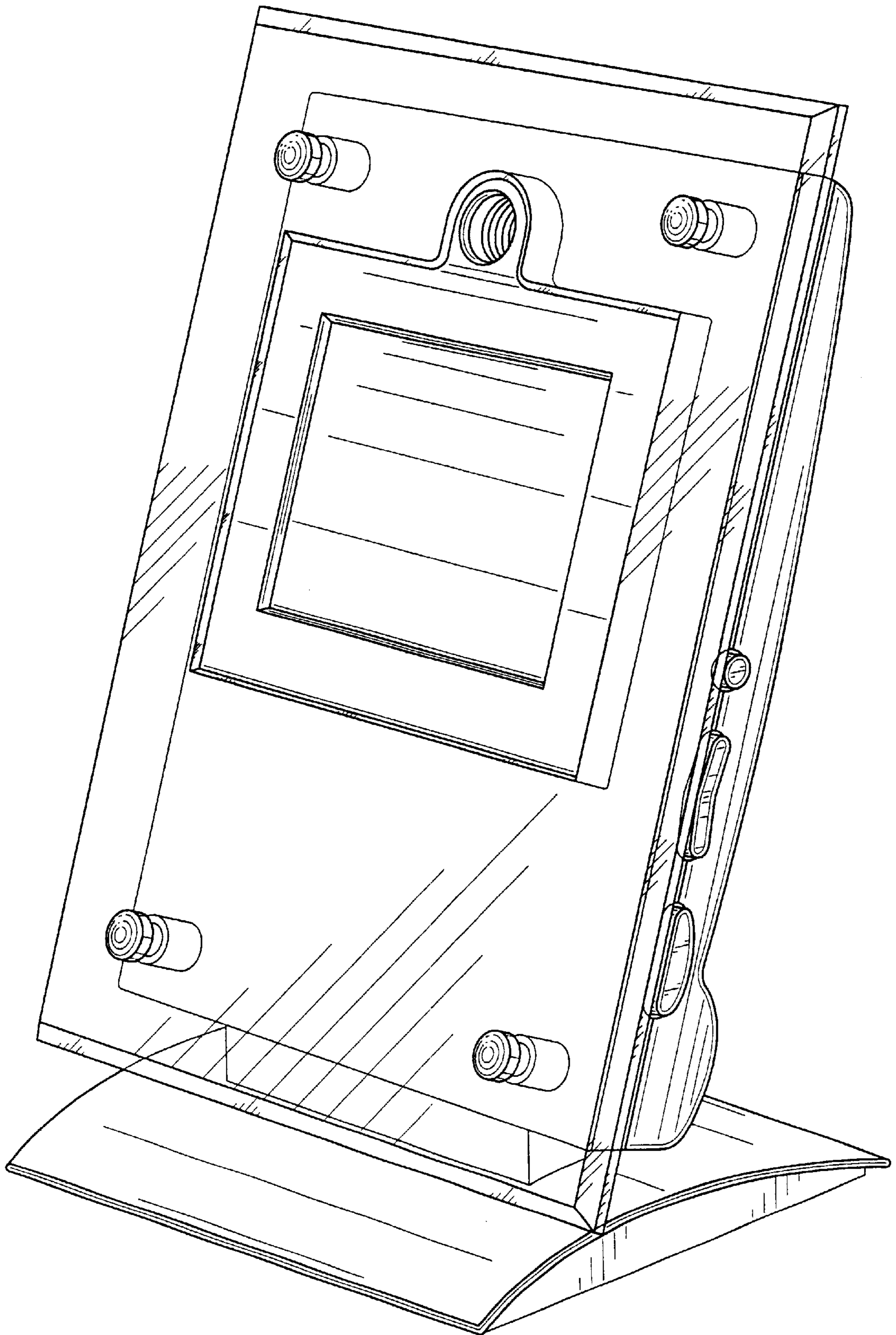


FIG. 1

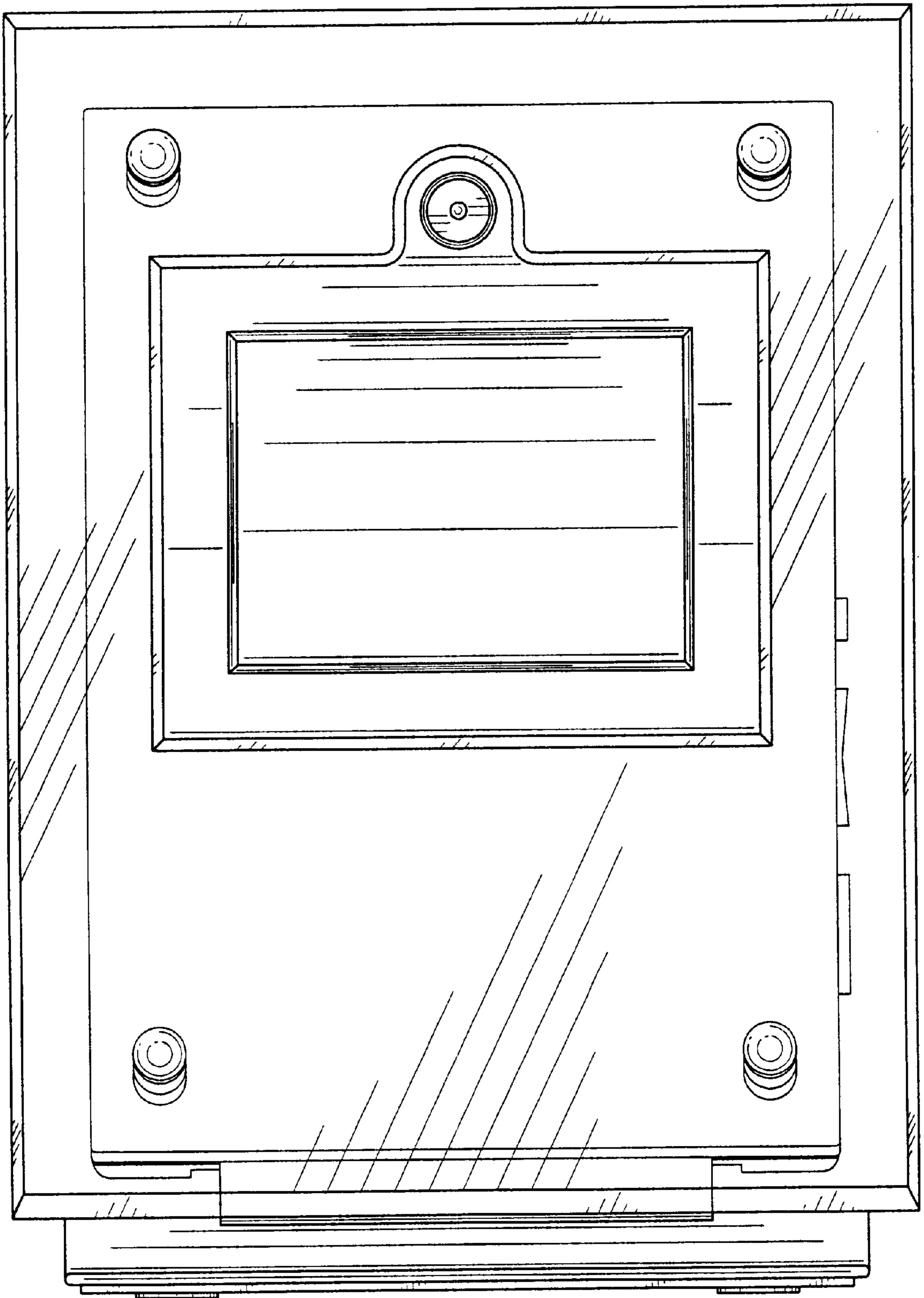


FIG. 2

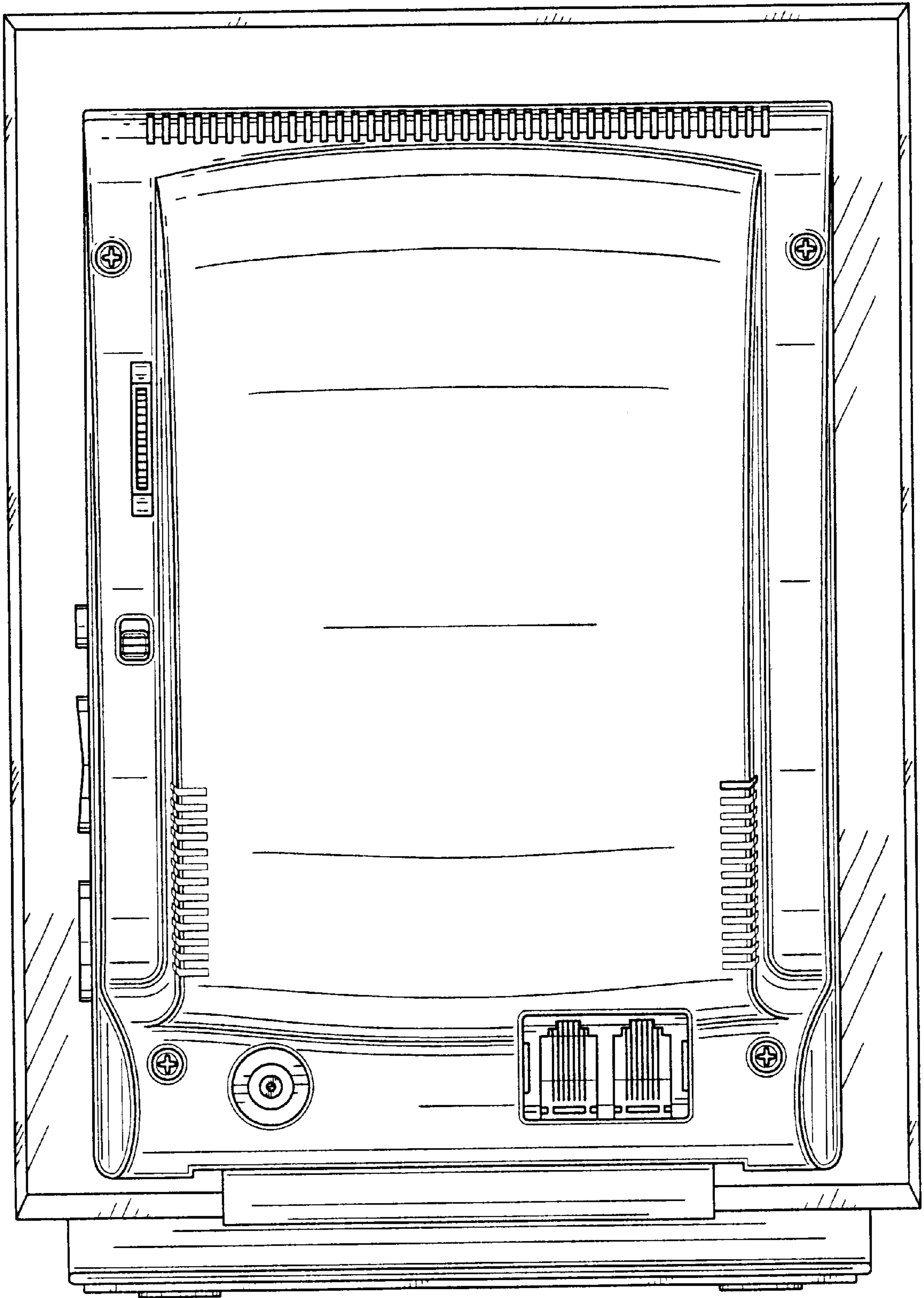


FIG. 3

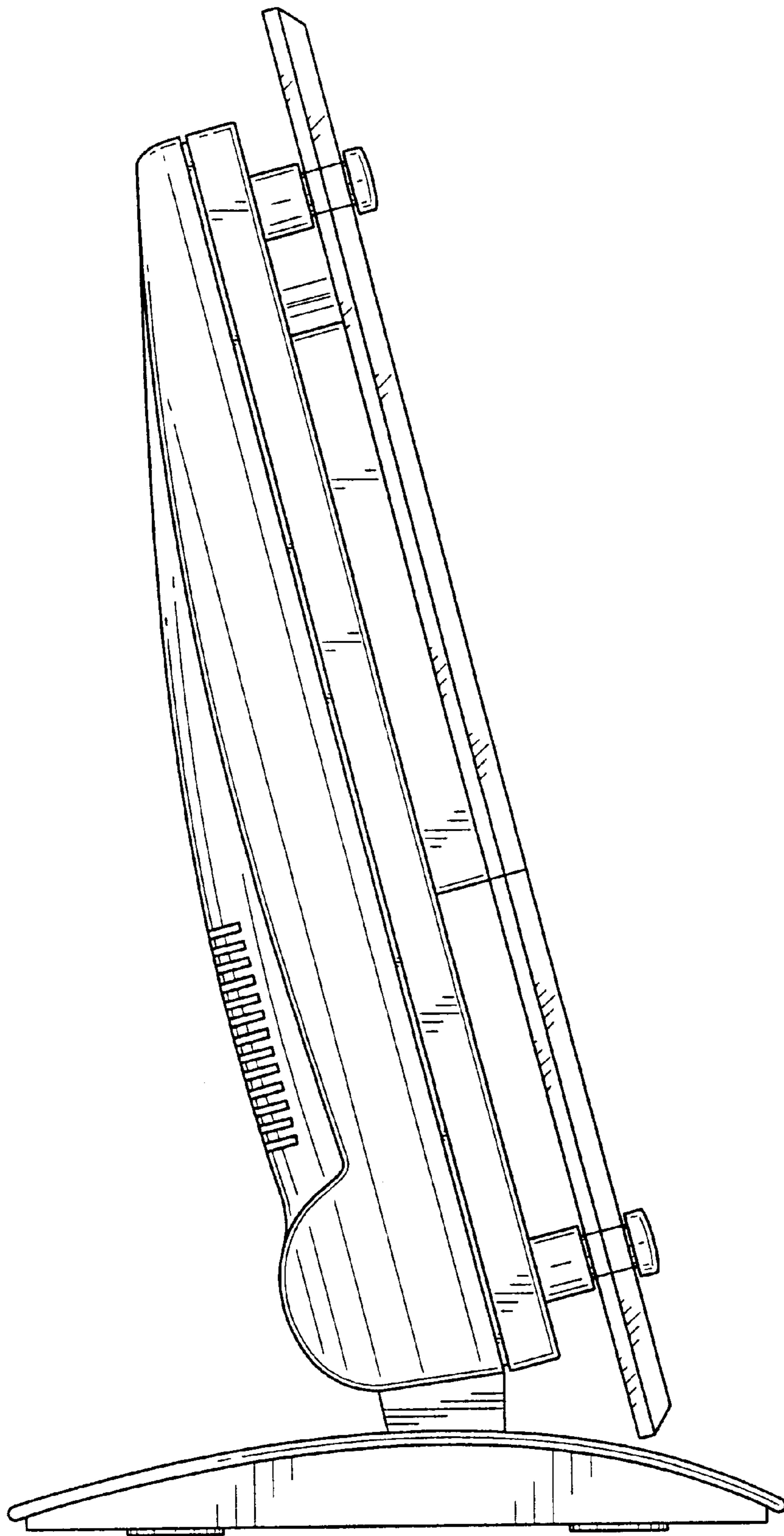


FIG. 4

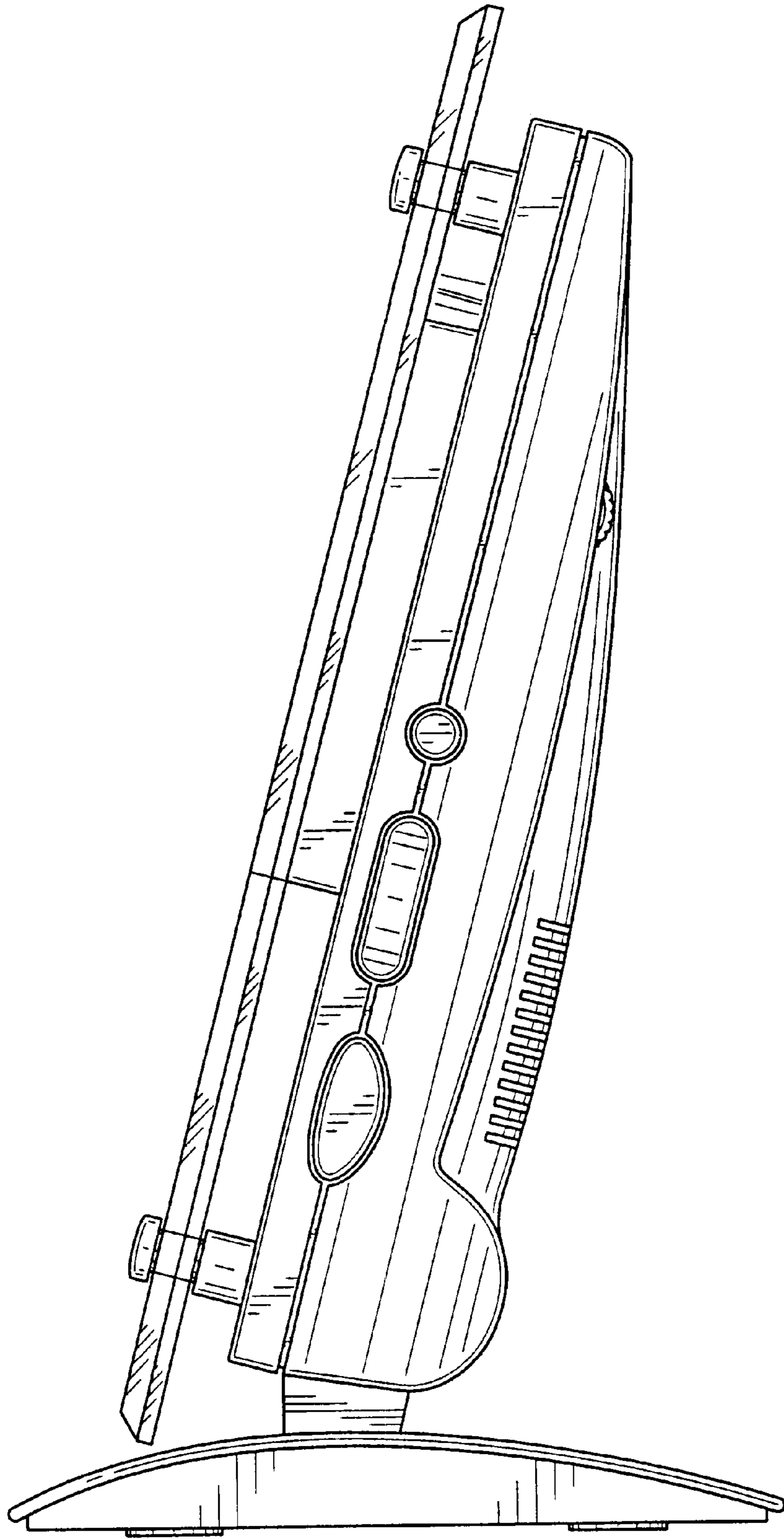


FIG. 5

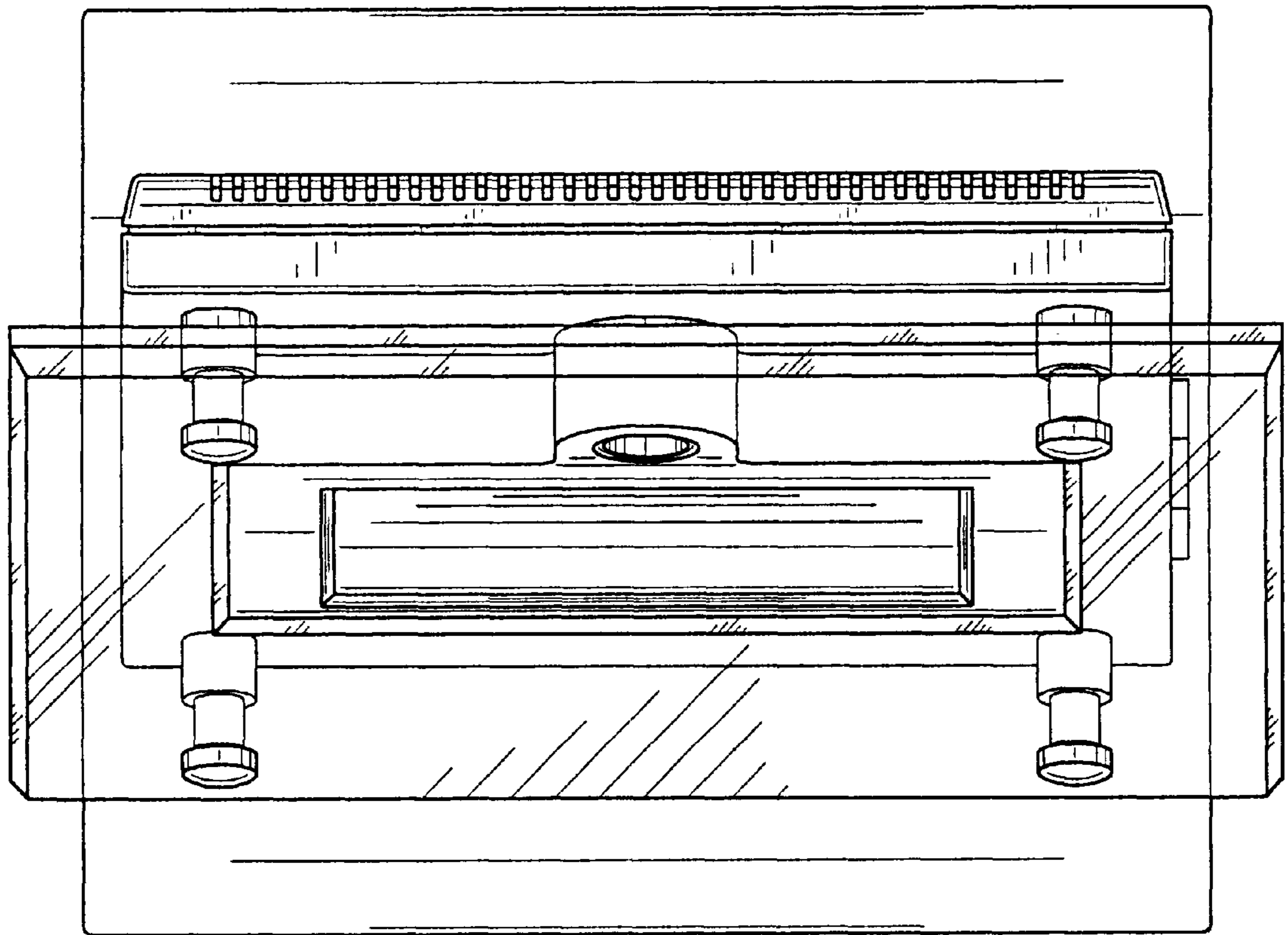


FIG.6

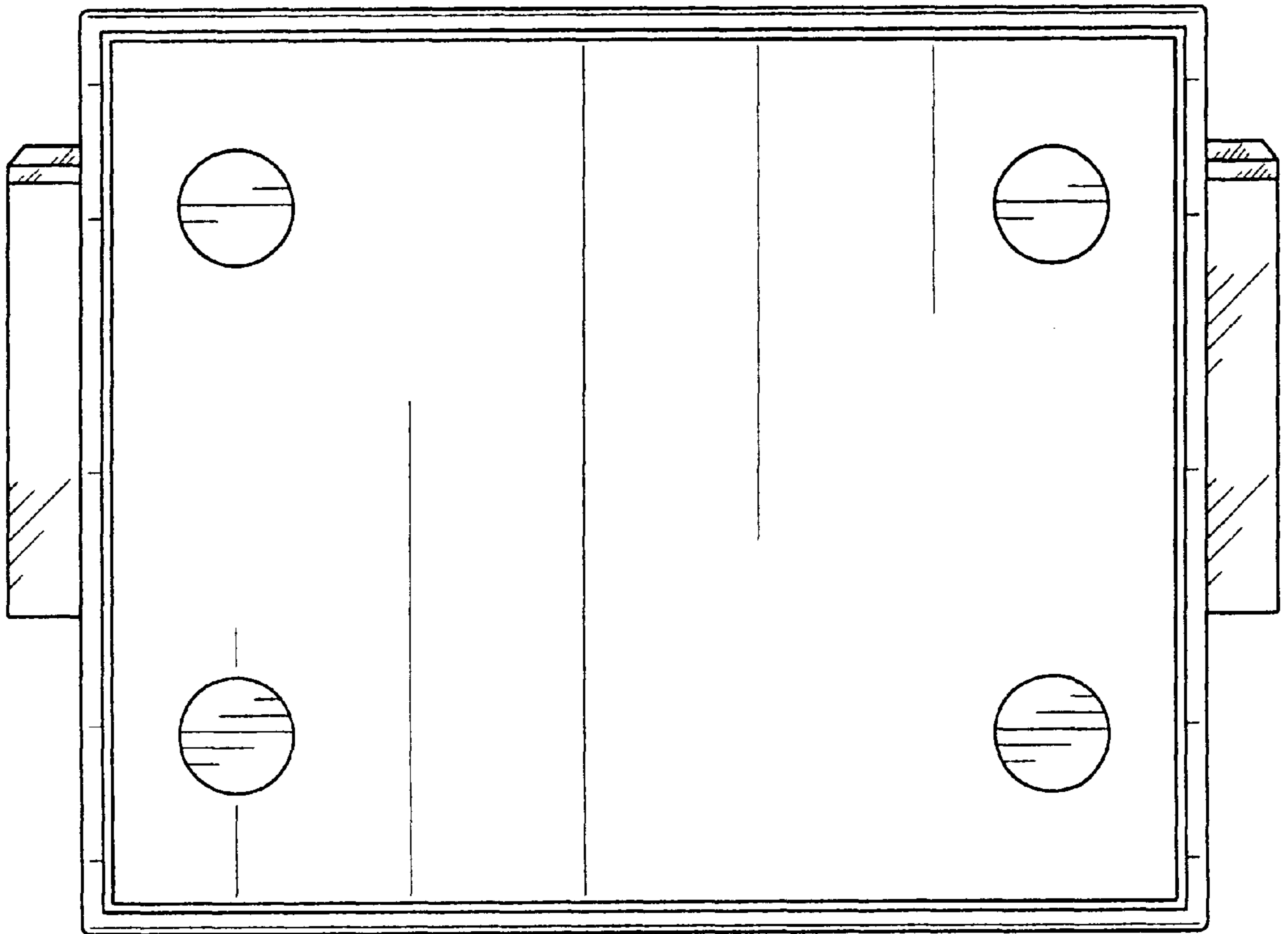


FIG. 7