



US00D475984S

(12) **United States Design Patent**  
**Chen et al.**

(10) **Patent No.:** **US D475,984 S**

(45) **Date of Patent:** **\*\* Jun. 17, 2003**

(54) **DVD LCD MONITOR**

(75) **Inventors:** **Yi-Chen Chen**, Taipei (TW); **Fu-Long Hong**, Banchiau (TW); **Jade Lin**, Keelung (TW)

(73) **Assignee:** **Benq Corporation**, Taoyuan (TW)

(\*\*) **Term:** **14 Years**

(21) **Appl. No.:** **29/163,758**

(22) **Filed:** **Jul. 9, 2002**

(30) **Foreign Application Priority Data**

Jun. 27, 2002 (TW) ..... 91303348

(51) **LOC (7) Cl.** ..... **14-03**

(52) **U.S. Cl.** ..... **D14/126**

(58) **Field of Search** ..... D14/125-136,  
D14/239, 371, 374-375; 312/7.2; 348/836,  
838, 180, 184, 325, 739; 345/905, 104,  
133, 168, 87, 173; 248/917-924; 341/12

(56) **References Cited**

**U.S. PATENT DOCUMENTS**

D323,324 S \* 1/1992 Suda ..... D14/125

D415,147 S \* 10/1999 Adachi ..... D14/132  
D429,227 S \* 8/2000 Shimizu ..... D14/126  
D438,849 S \* 3/2001 Adachi ..... D14/132  
D458,910 S \* 6/2002 Kita ..... D14/126

\* cited by examiner

*Primary Examiner*—Raphael Barkai  
(74) *Attorney, Agent, or Firm*—Ladas & Parry

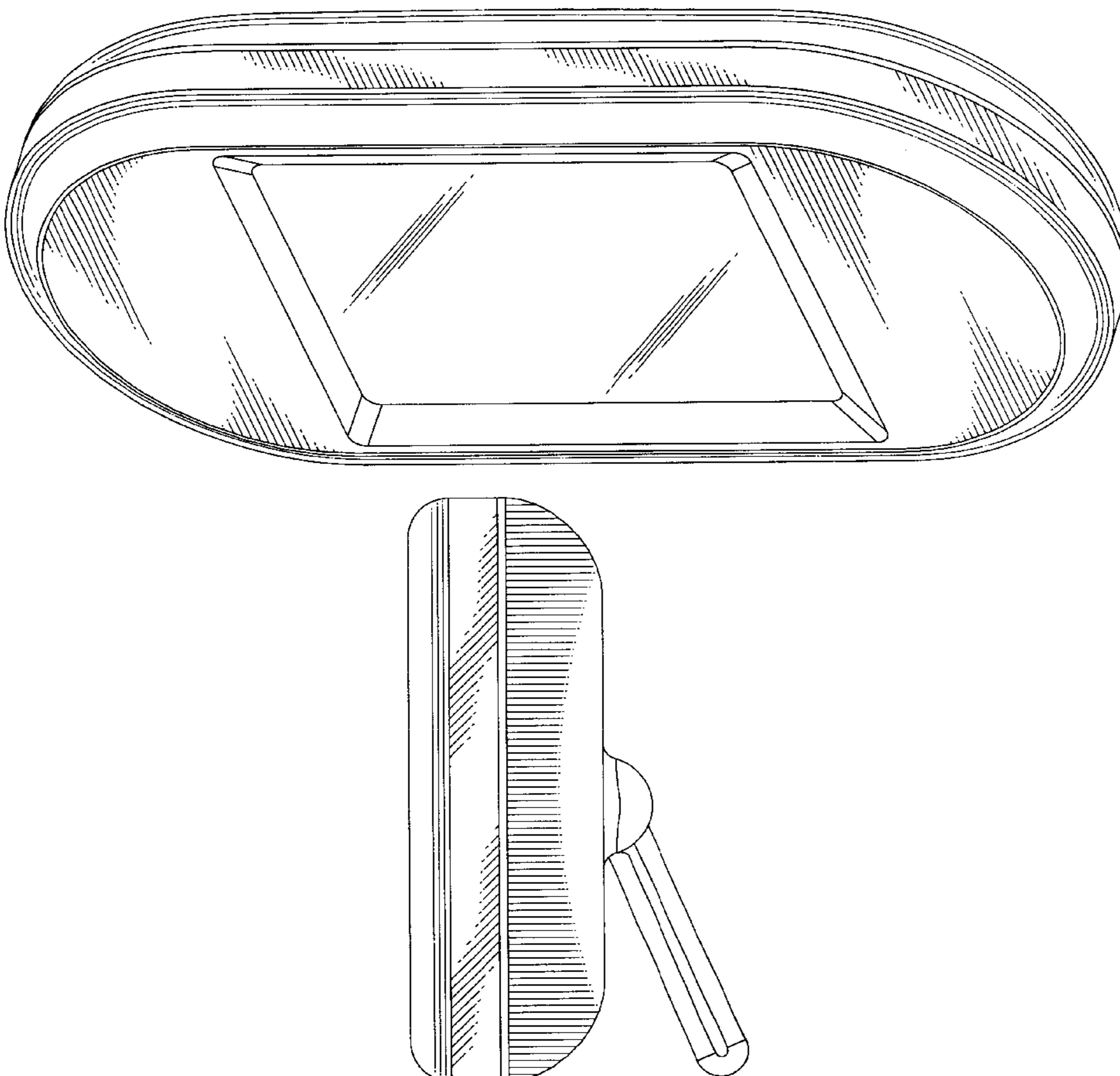
(57) **CLAIM**

The ornamental design for a DVD LCD monitor, as shown and described.

**DESCRIPTION**

FIG. 1 is a front perspective view thereof;  
FIG. 2 is a right side elevational view thereof;  
FIG. 3 is a top plane view thereof;  
FIG. 4 is a front elevational view thereof;  
FIG. 5 is a bottom plane view thereof;  
FIG. 6 is a left side elevational view thereof; and,  
FIG. 7 is a rear elevational view thereof.

**1 Claim, 7 Drawing Sheets**



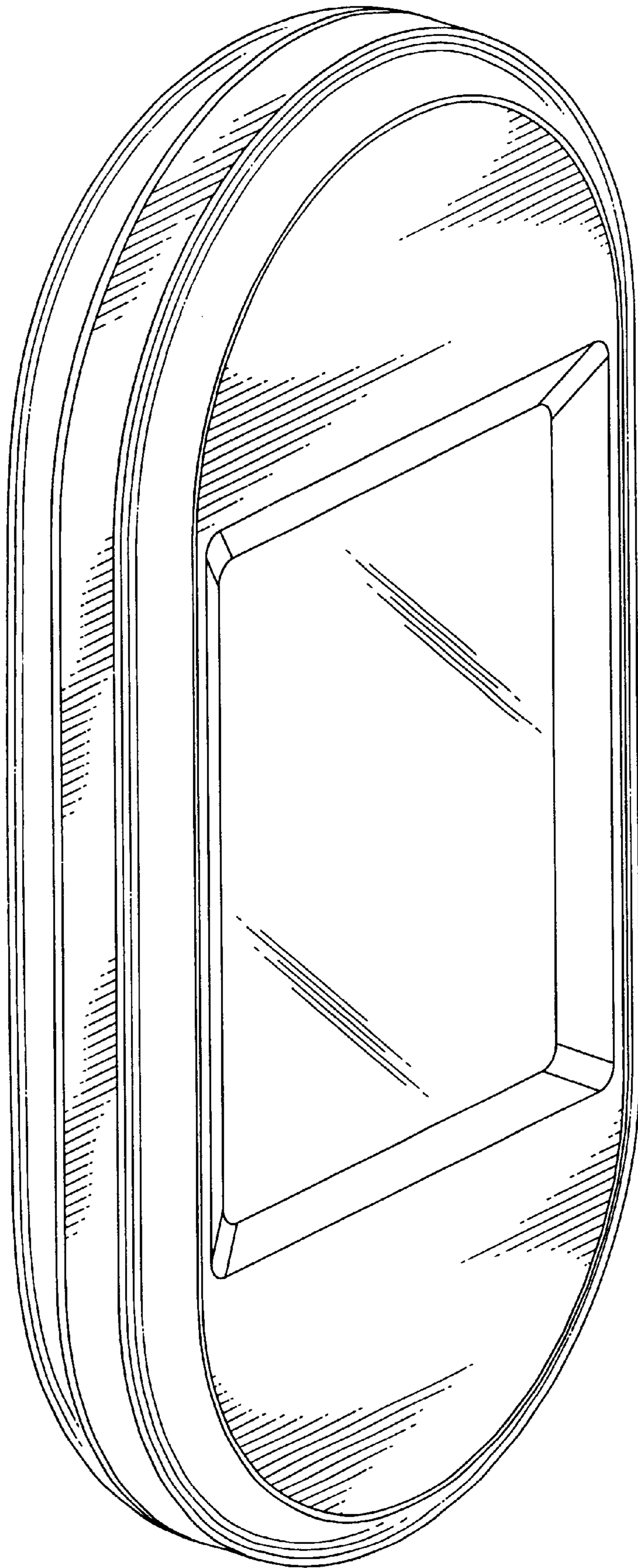


FIG. 1

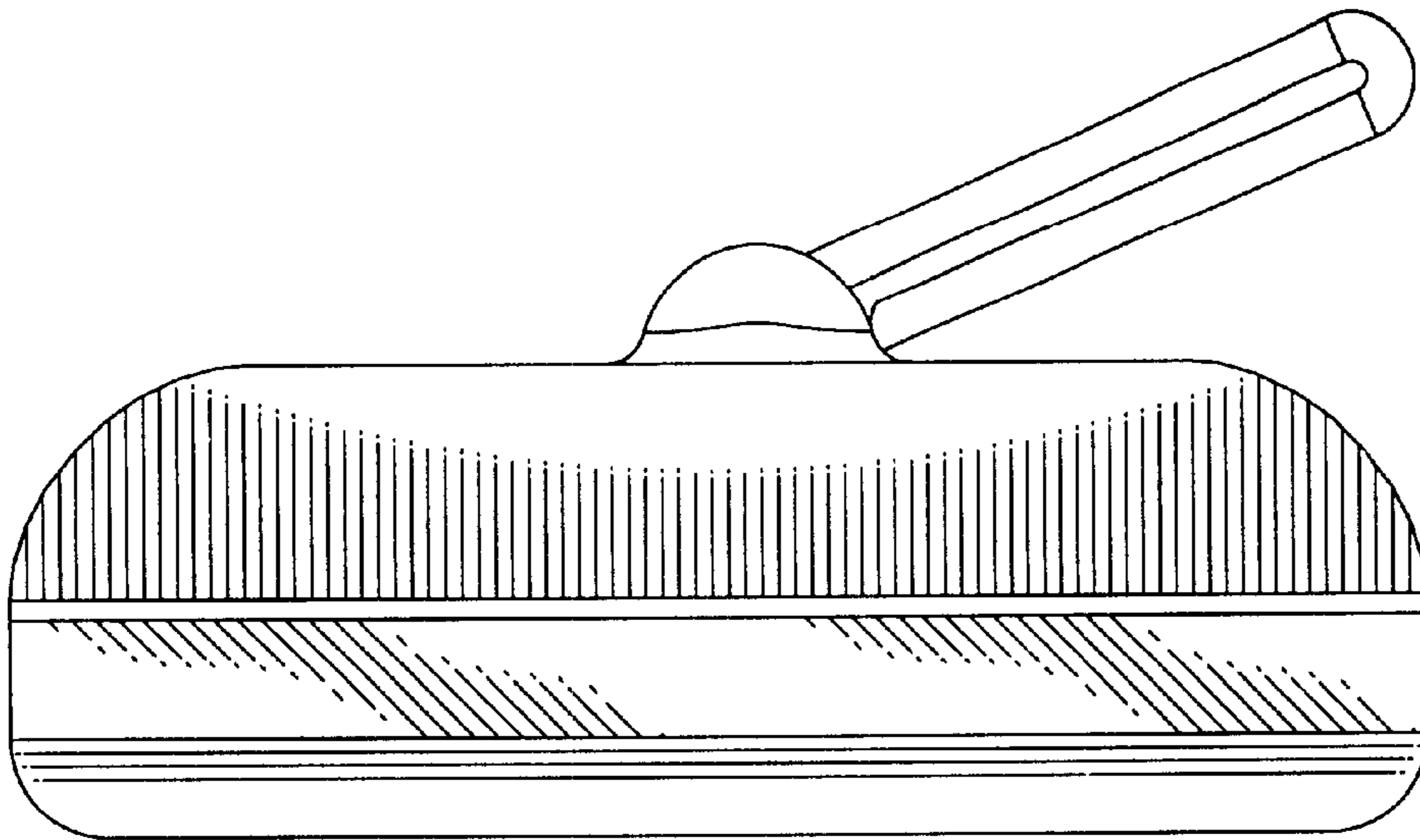


FIG. 2

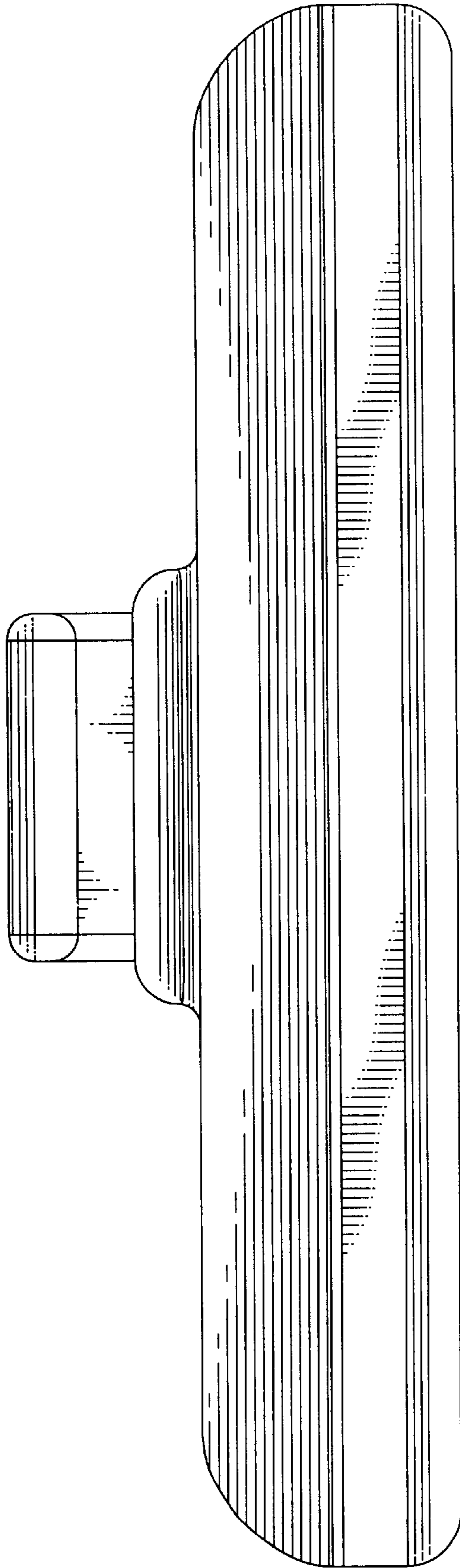


FIG. 3

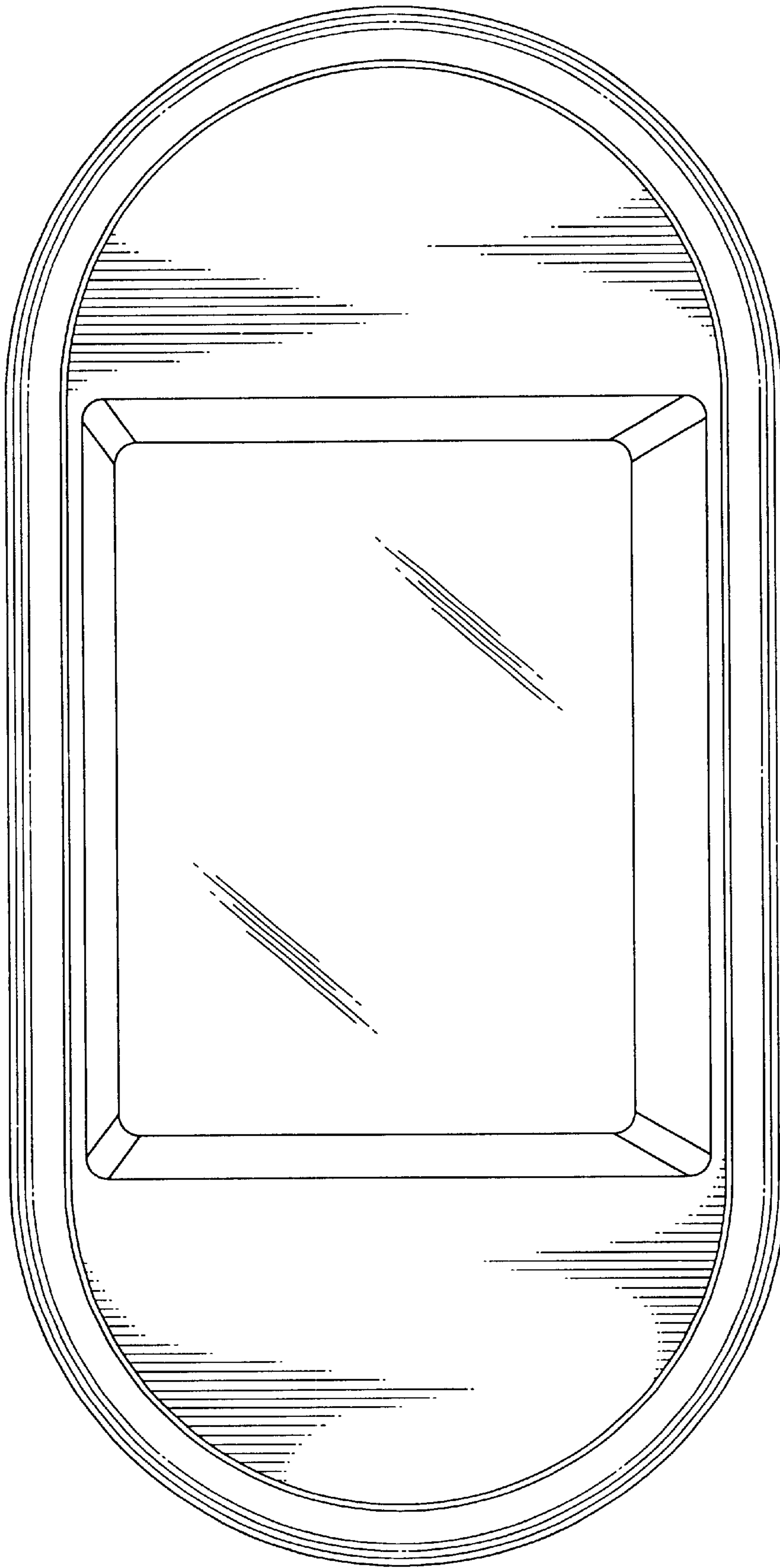


FIG. 4

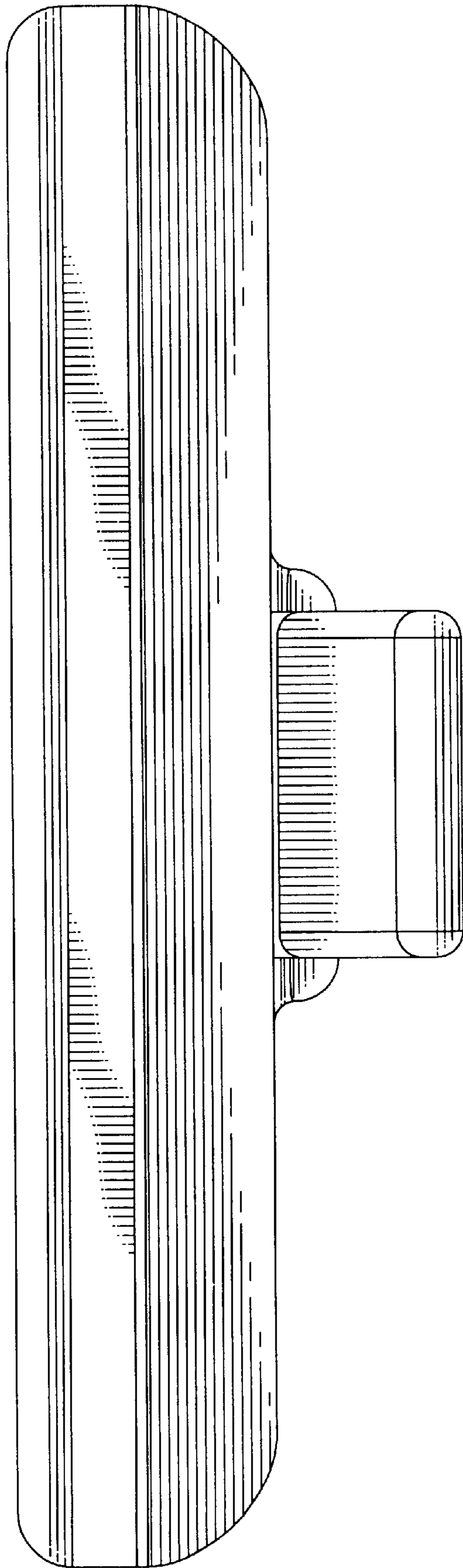


FIG. 5

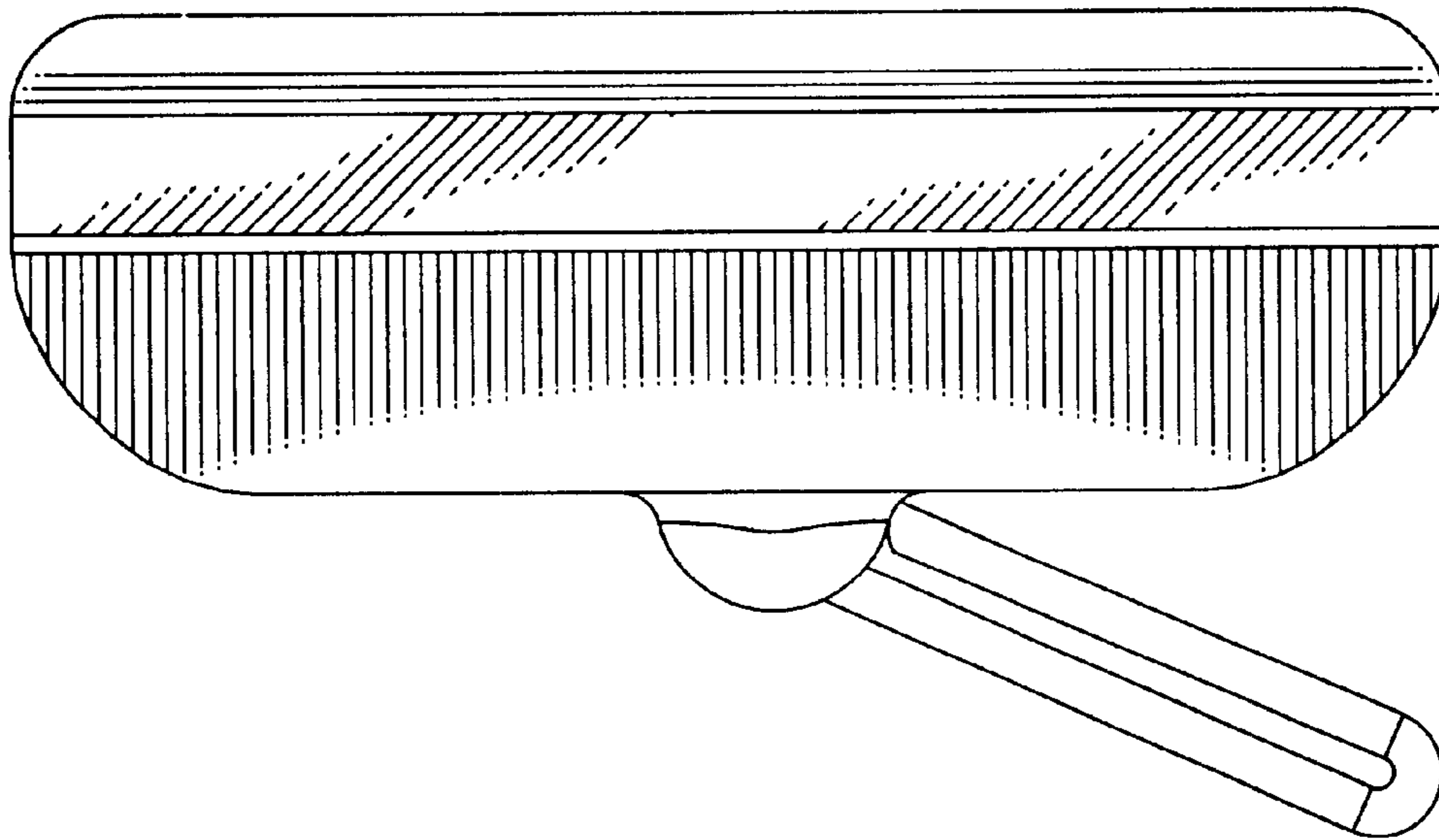


FIG. 6

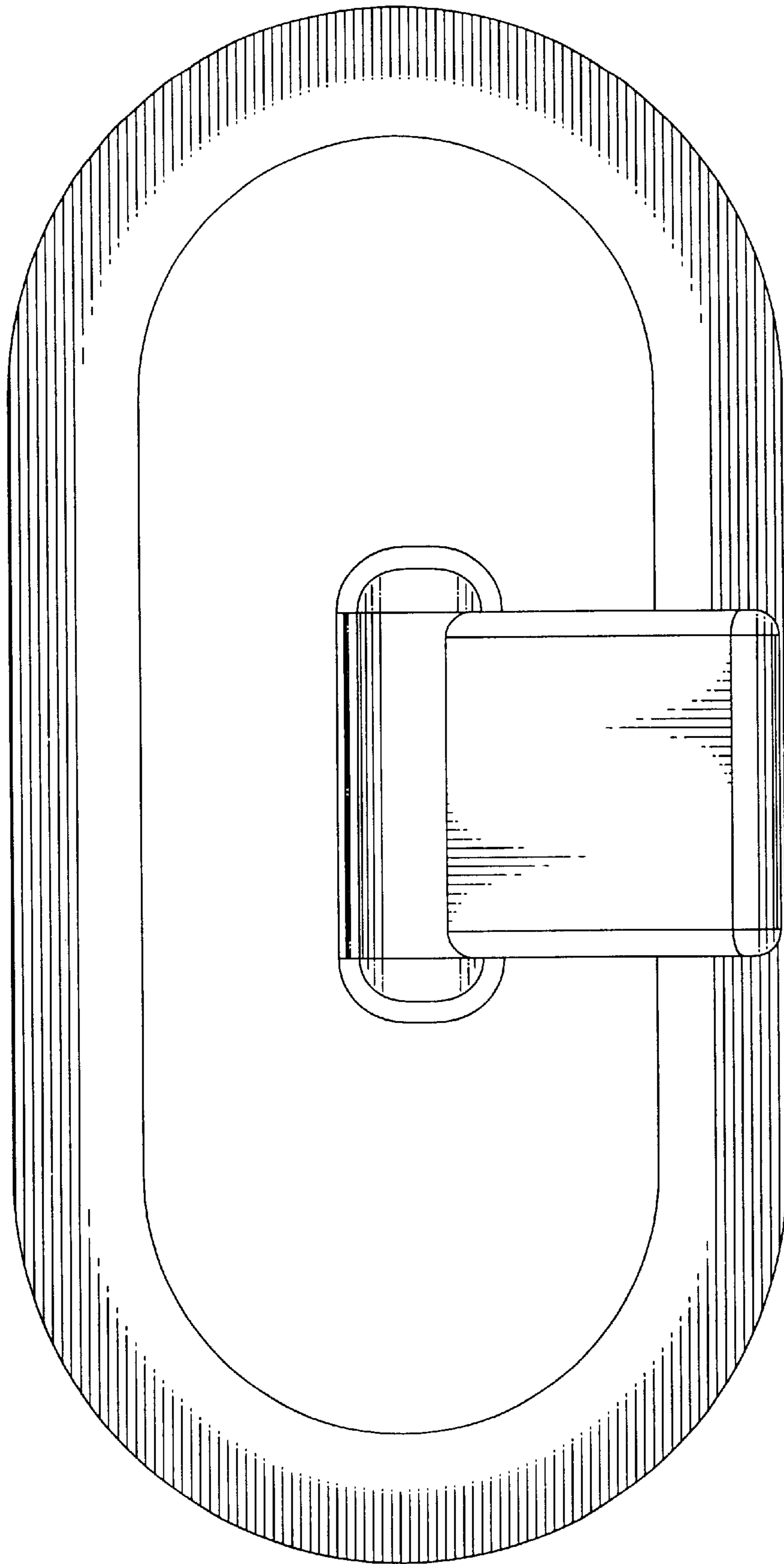


FIG. 7