



US00D475983S

(12) **United States Design Patent**
Lin et al.

(10) **Patent No.:** **US D475,983 S**

(45) **Date of Patent:** **** Jun. 17, 2003**

(54) **SPACING FRAME DEVICE FOR ELECTRIC FACILITIES**

5,867,372 A * 2/1999 Shie 361/826
D437,300 S * 2/2001 Horne D13/199
6,467,633 B1 * 10/2002 Mendoza 211/26

(75) Inventors: **Wen Hsiung Lin**, Chong Ho (TW); **I Tao Chen**, Chong Ho (TW)

* cited by examiner

(73) Assignee: **Global Sun Technology Inc.**, Taipei (TW)

Primary Examiner—Ted Shooman
Assistant Examiner—Selina Sikder

(**) Term: **14 Years**

(57) **CLAIM**

(21) Appl. No.: **29/149,566**

The ornamental design for a spacing frame device for electric facilities, as shown and described.

(22) Filed: **Oct. 15, 2001**

DESCRIPTION

(51) **LOC (7) Cl.** **13-03**

(52) **U.S. Cl.** **D13/199**

(58) **Field of Search** D13/182, 199;
29/759; 206/449, 454, 708; 211/26, 41.1,
57; 220/533; 312/330.1; 361/729, 769,
796, 997, 829; 439/61

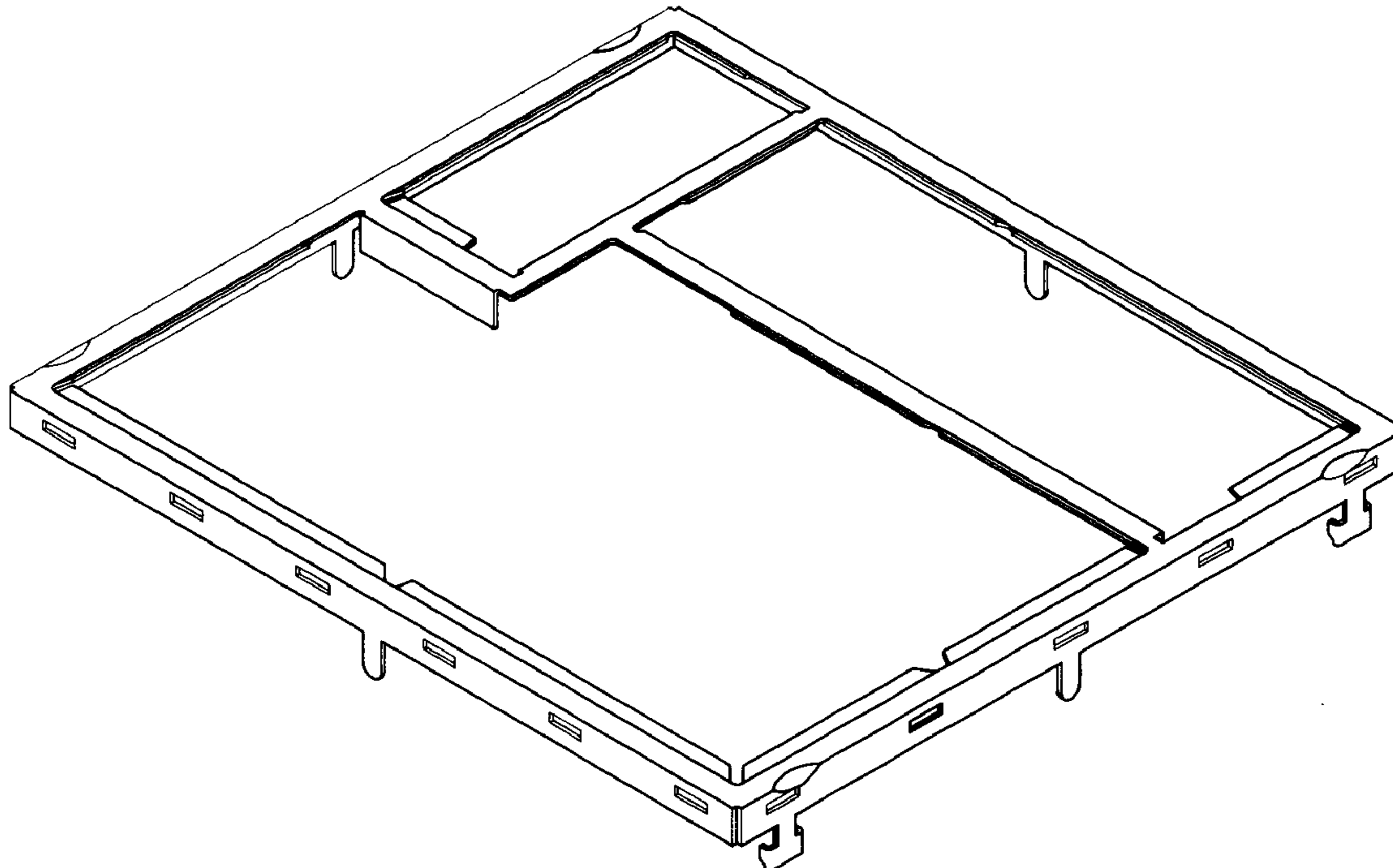
FIG. 1 is a perspective view of a spacing frame device for electric facilities showing my new design; FIG. 2 is a front elevational view thereof; FIG. 3 is a rear elevational view thereof; FIG. 4 is a top plan view thereof; FIG. 5 is a bottom plan view thereof; FIG. 6 is a left side elevational view thereof; FIG. 7 is a right side elevational view thereof; and, FIG. 8 is a perspective view thereof, the circuit board depicted by means of broken lines being for illustrative purposes only and forming no part of the claimed design.

(56) **References Cited**

U.S. PATENT DOCUMENTS

3,780,351 A * 12/1973 Salmon et al. 361/829
4,641,754 A * 2/1987 Hebel et al. 211/26
5,153,819 A * 10/1992 Hebel 361/829

1 Claim, 3 Drawing Sheets



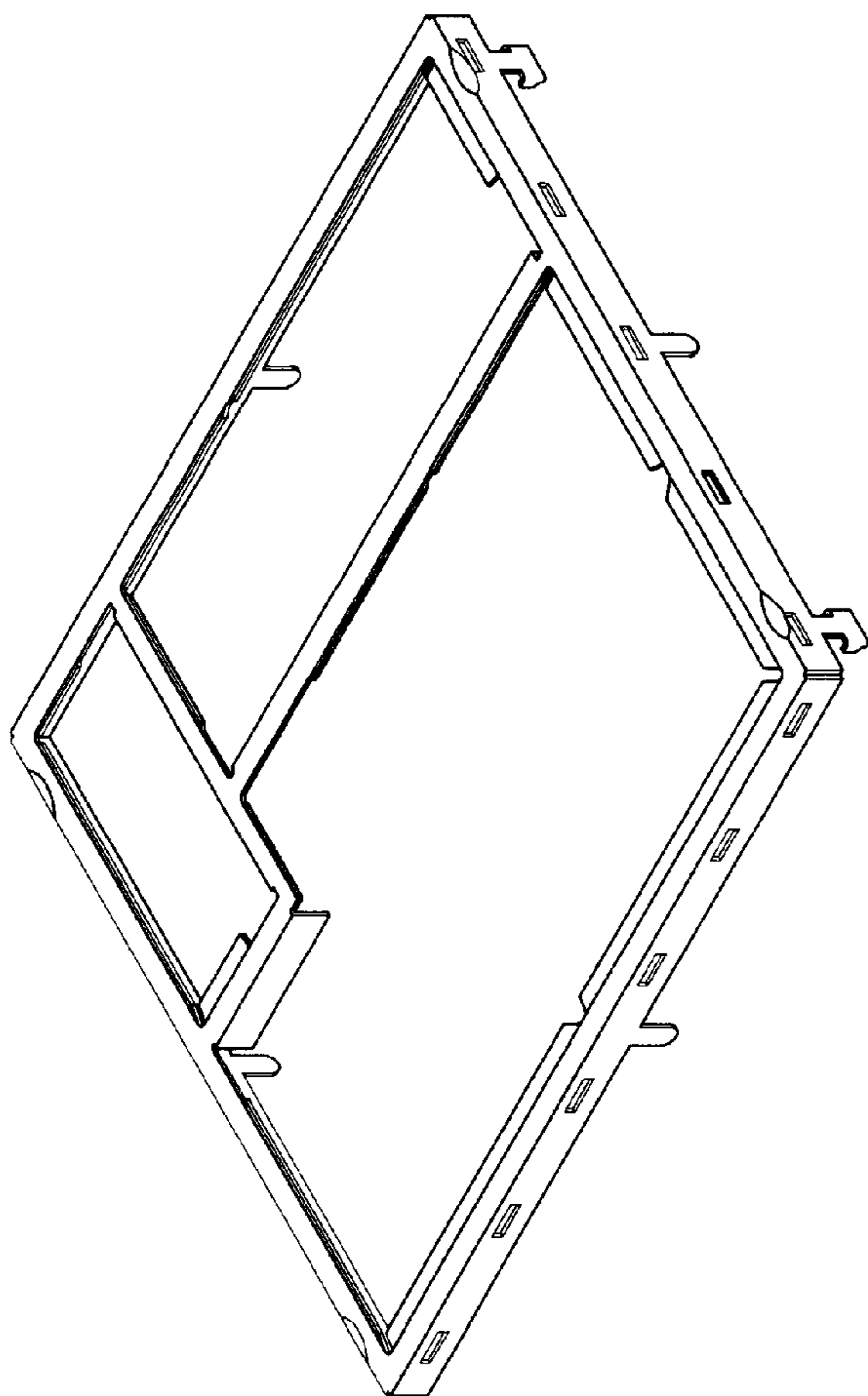


FIG. 1



FIG. 2

FIG. 3

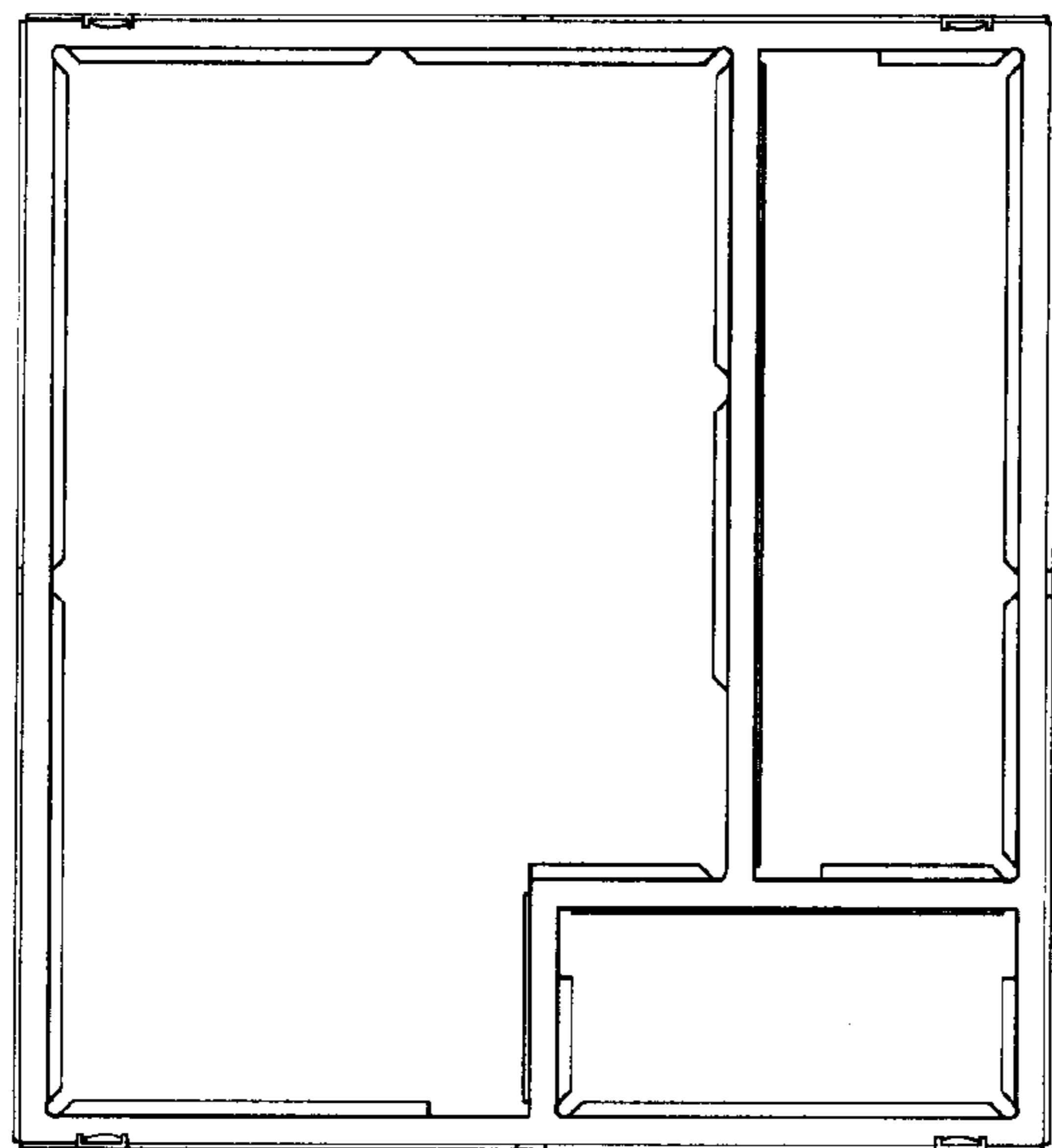


FIG. 5

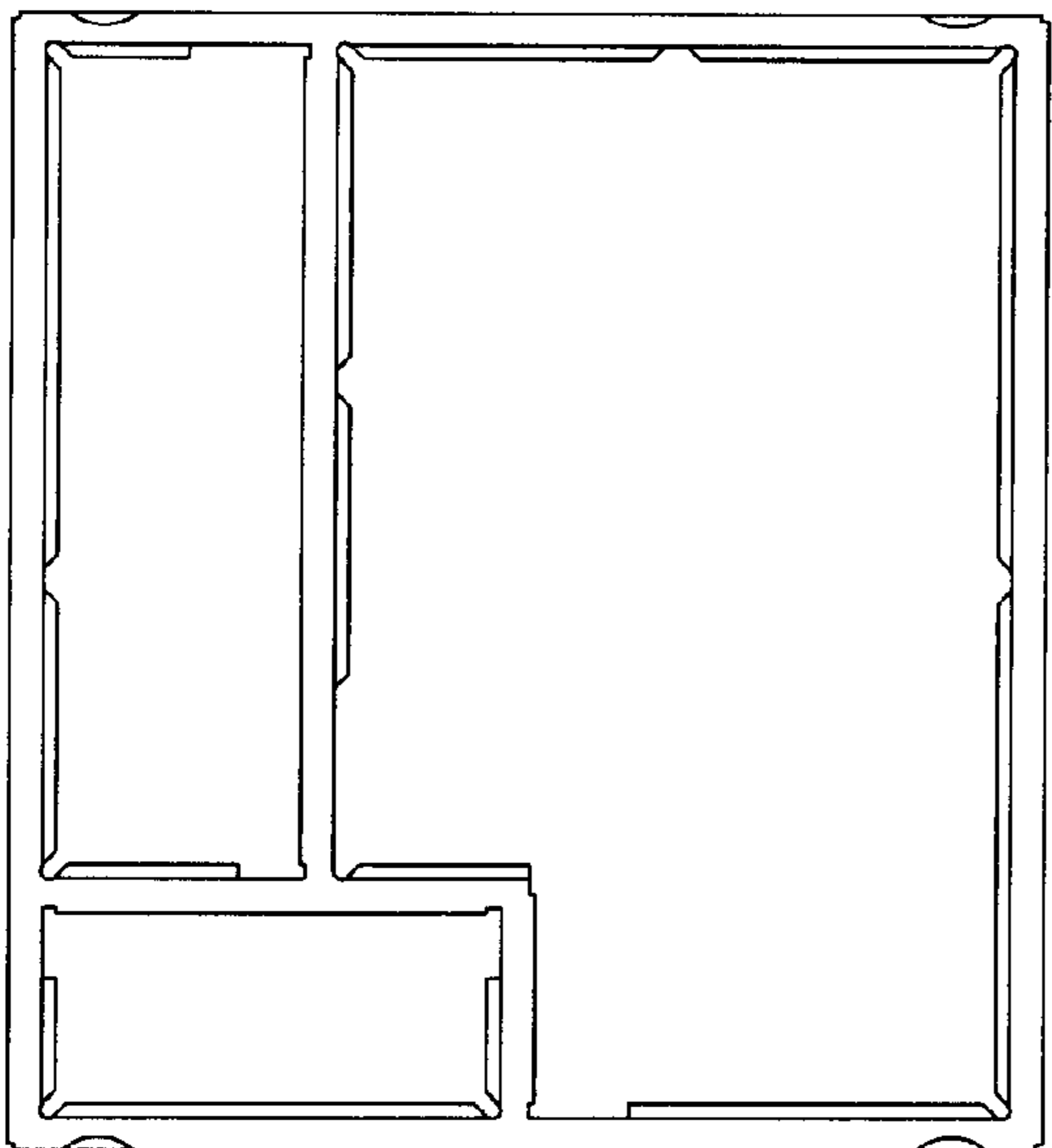


FIG. 4



FIG. 7

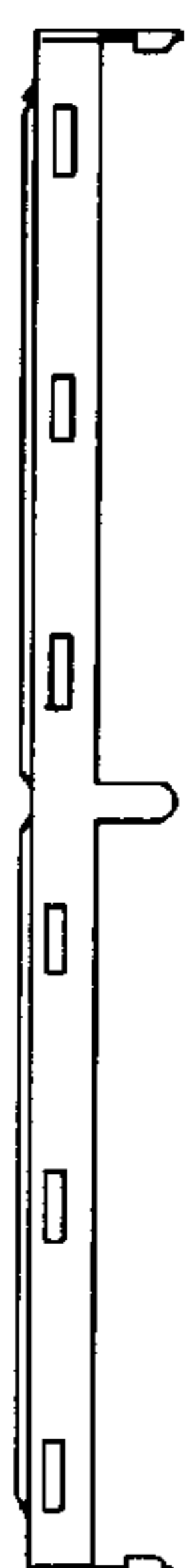


FIG. 6

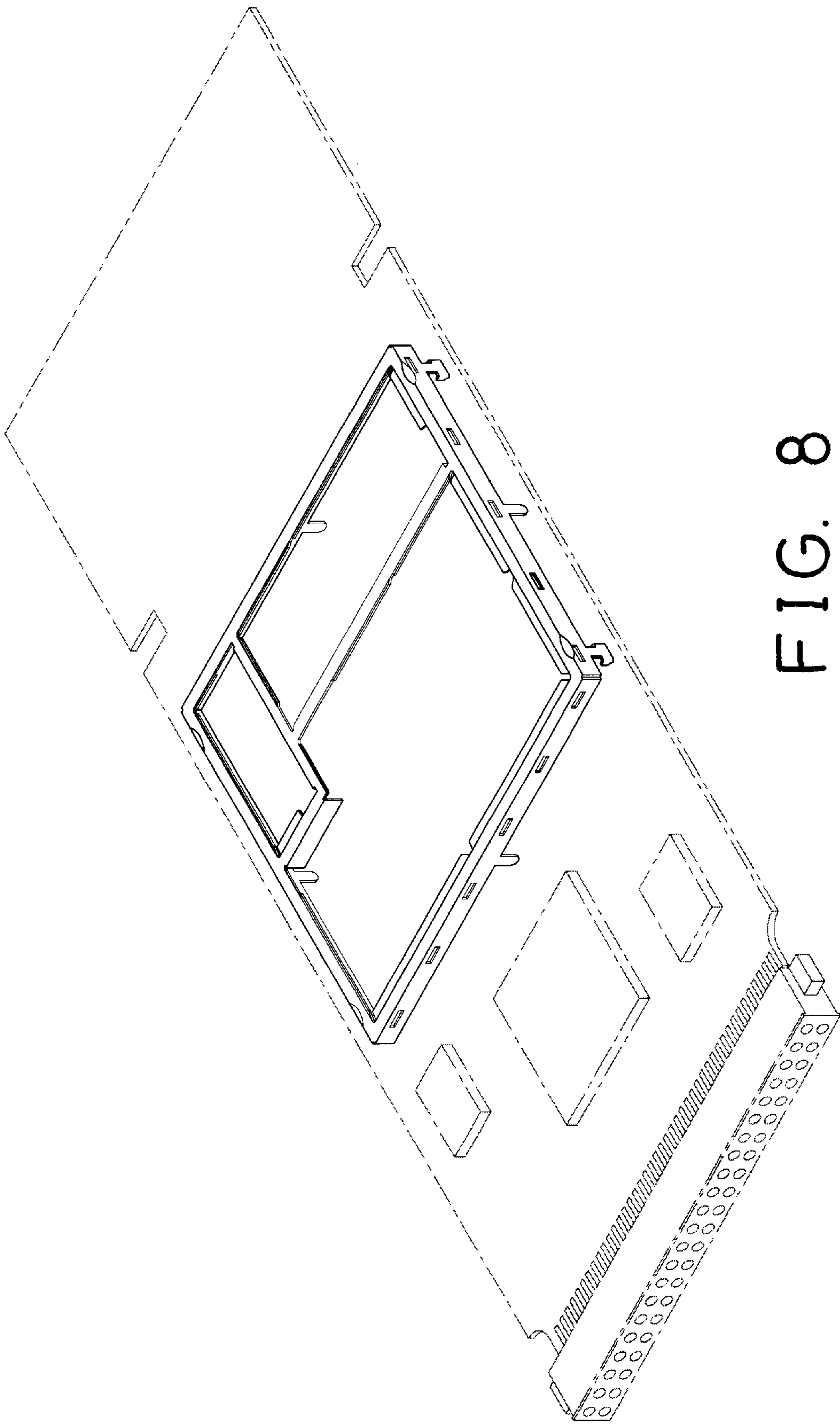


FIG. 8