



US00D475981S

(12) **United States Design Patent**  
**Michii**

(10) **Patent No.:** **US D475,981 S**

(45) **Date of Patent:** **\*\* Jun. 17, 2003**

(54) **INTEGRATED CIRCUITS SUBSTRATE**

6,316,825 B1 \* 11/2001 Park et al. .... 257/686  
6,462,408 B1 \* 10/2002 Wehrly, Jr. .... 257/686

(75) Inventor: **Kazunari Michii**, Tokyo (JP)

**FOREIGN PATENT DOCUMENTS**

(73) Assignee: **Mitsubishi Denki Kabushiki Kaisha**,  
Tokyo (JP)

JP 11-40745 2/1999

(\*\*) Term: **14 Years**

\* cited by examiner

(21) Appl. No.: **29/165,700**

*Primary Examiner*—Ted Shooman

(22) Filed: **Aug. 16, 2002**

*Assistant Examiner*—Selina Sikder

(30) **Foreign Application Priority Data**

(74) *Attorney, Agent, or Firm*—Oblon, Spivak, McClelland,  
Maier & Neustadt, P.C.

Mar. 29, 2002 (JP) ..... 2002-008443

(57) **CLAIM**

(51) **LOC (7) Cl.** ..... **13-03**

The ornamental design for an integrated circuits substrate, as  
shown and described.

(52) **U.S. Cl.** ..... **D13/182**

**DESCRIPTION**

(58) **Field of Search** ..... D13/182; 174/52.2,  
174/52.4; 257/666, 667, 676, 686, 690,  
692, 696, 705, 712, 735; 361/742, 777,  
813

FIG. 1 is a front, top and right side perspective view of an  
integrated circuits substrate, showing my new design;  
FIG. 2 is a front elevational view thereof, the rear elevational  
view is omitted as that is symmetrical to the front elevational  
view thereof;  
FIG. 3 is a top plan view thereof;  
FIG. 4 is a bottom plan view thereof;  
FIG. 5 is a right side elevational view thereof;  
FIG. 6 is a left side elevational view thereof; and,  
FIG. 7 is an enlarged cross-sectional view thereof, taken  
along line 7—7 of FIG. 2, with the internal system omitted.  
The broken lines in all views are shown for illustrative  
purposes only and form no part of the claimed design.

(56) **References Cited**

**U.S. PATENT DOCUMENTS**

5,138,438 A \* 8/1992 Masayuki et al. .... 257/686  
5,352,852 A \* 10/1994 Chun ..... 174/52.4  
5,677,570 A \* 10/1997 Kondoh et al. .... 257/690  
5,777,265 A \* 7/1998 Bhattacharyya et al. ... 174/52.4  
5,824,950 A \* 10/1998 Mosley et al. .... 174/52.4  
5,912,808 A \* 6/1999 Ikemoto ..... 361/777  
D432,097 S \* 10/2000 Song et al. .... D13/182  
6,211,564 B1 \* 4/2001 Hatano ..... 257/686

**1 Claim, 3 Drawing Sheets**

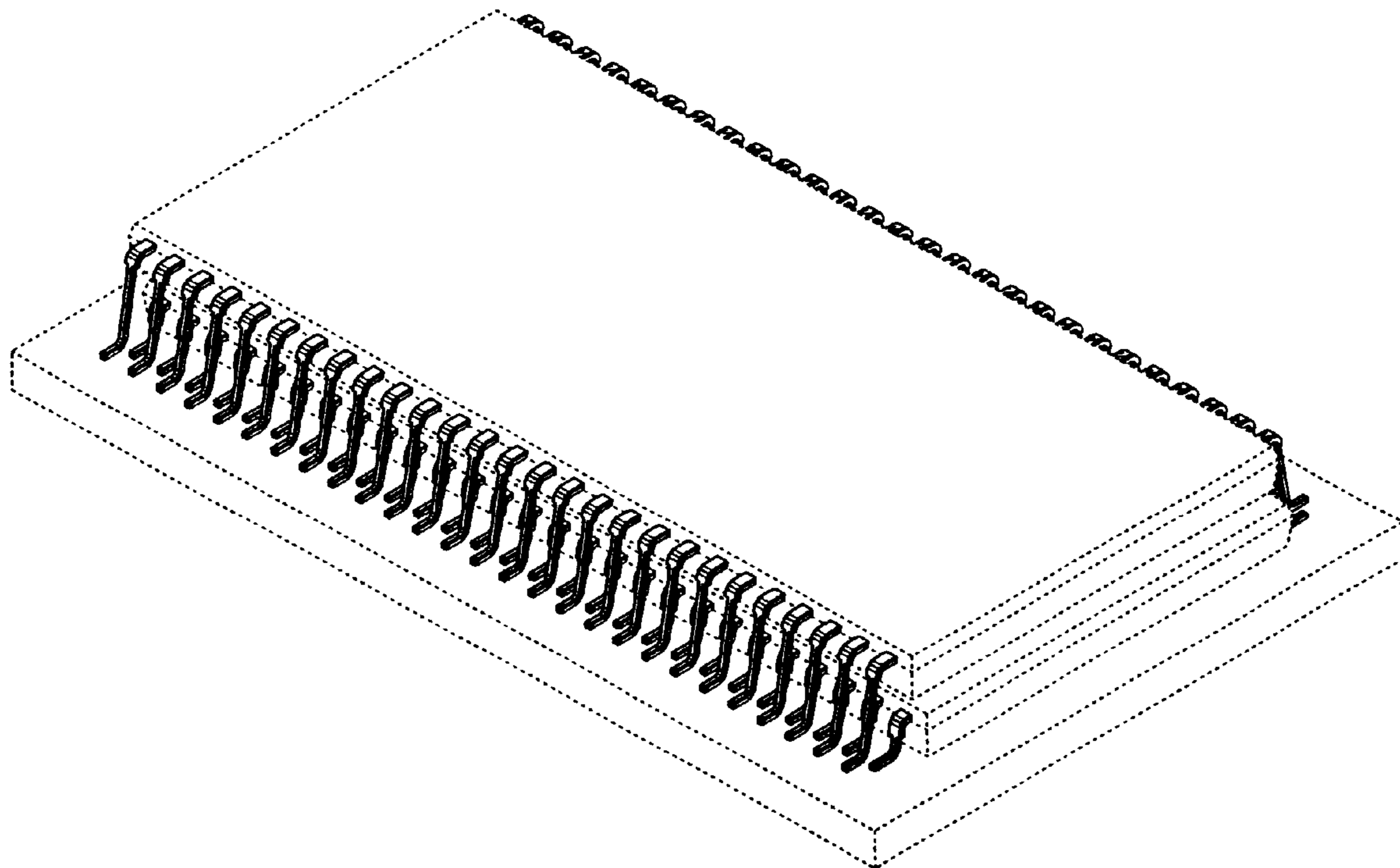


FIG. 1

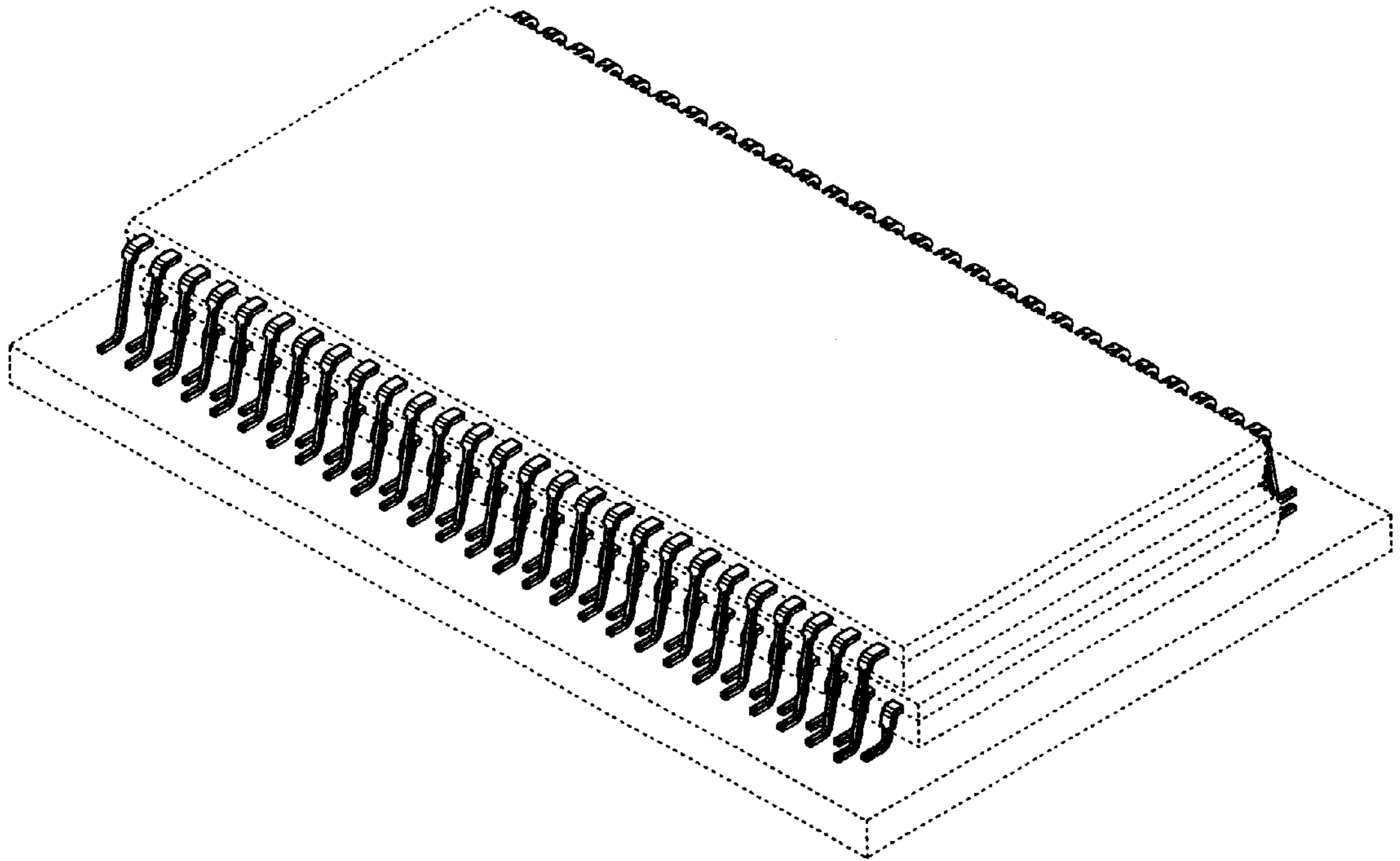


FIG. 2

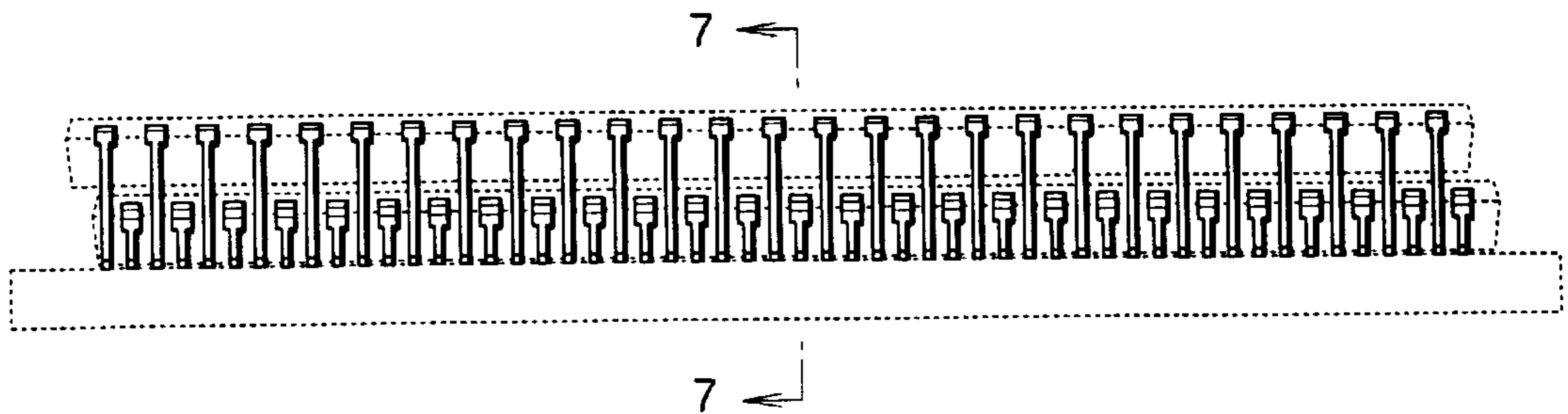


FIG.3

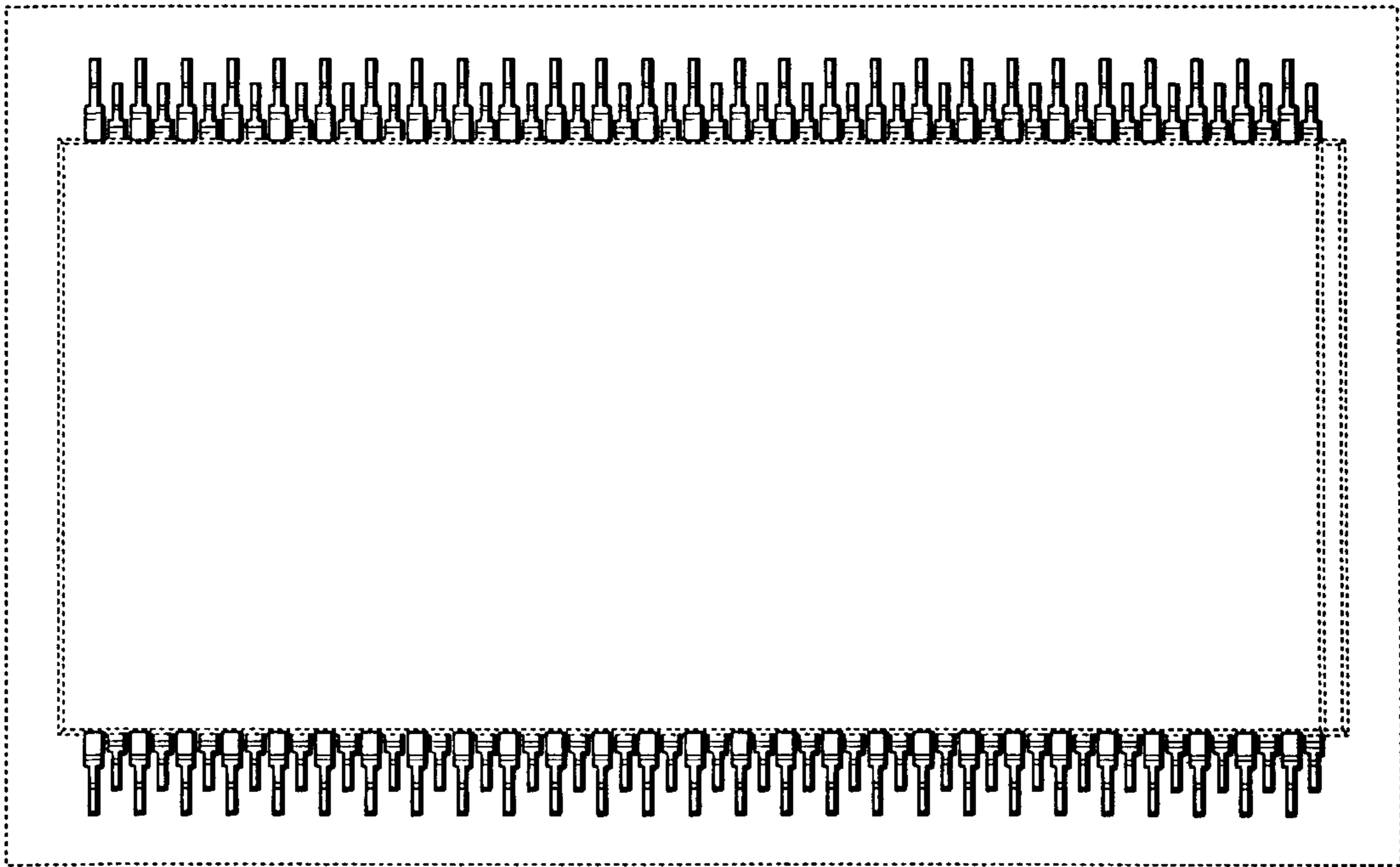


FIG.4



FIG. 5

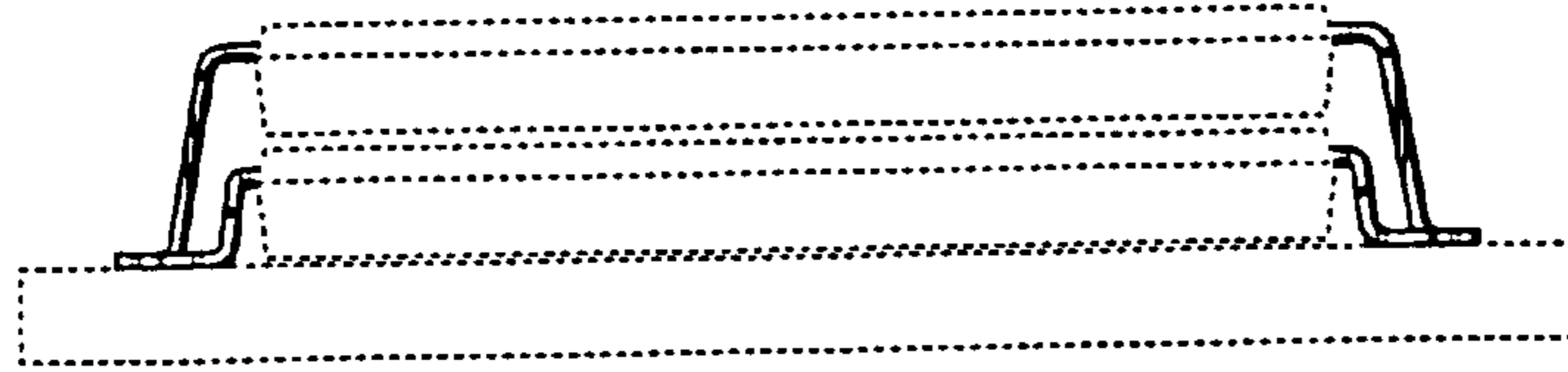


FIG. 6

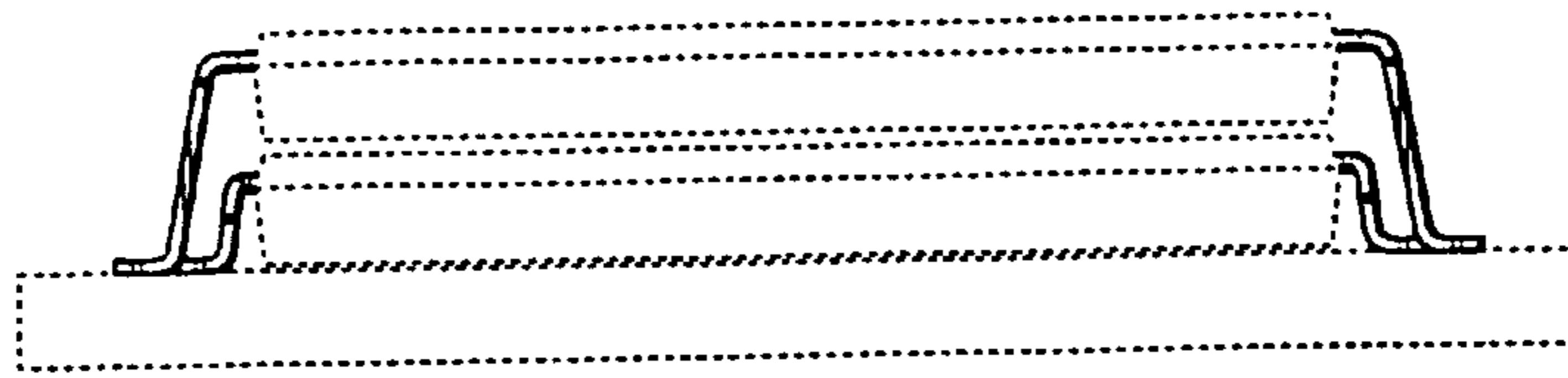


FIG. 7

