



US00D475980S

(12) **United States Design Patent**
Chang

(10) **Patent No.:** **US D475,980 S**

(45) **Date of Patent:** **** Jun. 17, 2003**

(54) **OPTICAL SWITCH**

(75) **Inventor:** **Yao-Hao Chang, Chung-Ho (TW)**

(73) **Assignee:** **Hon Hai Precision Ind. Co., Ltd.,
Taipei Hsien (TW)**

(**) **Term:** **14 Years**

(21) **Appl. No.:** **29/151,063**

(22) **Filed:** **Oct. 31, 2001**

(30) **Foreign Application Priority Data**

Oct. 17, 2001 (TW) 90306597

(51) **LOC (7) Cl. 13-03**

(52) **U.S. Cl. D13/165**

(58) **Field of Search** D13/158, 165;
250/200, 216, 229; 257/461; 359/117, 247,
249, 641; 385/16, 17, 18, 21, 22, 88, 92

(56) **References Cited**

U.S. PATENT DOCUMENTS

- 5,195,155 A * 3/1993 Shimaoka et al. 385/90
- 5,259,053 A * 11/1993 Schaffer et al. 385/88
- 5,708,743 A * 1/1998 DeAndrea et al. 385/88

- D412,316 S * 7/1999 Fayfield D13/165
- D421,422 S * 3/2000 La Police D13/165
- 6,219,472 B1 * 4/2001 Horino et al. 385/16
- 6,220,764 B1 * 4/2001 Kato et al. 385/92
- 6,385,364 B1 * 5/2002 Abushagur 385/16
- 6,459,835 B1 * 10/2002 Nagaoka et al. 385/43

* cited by examiner

Primary Examiner—Ted Shooman

Assistant Examiner—Selina Sikder

(74) *Attorney, Agent, or Firm*—Wei Te Chung

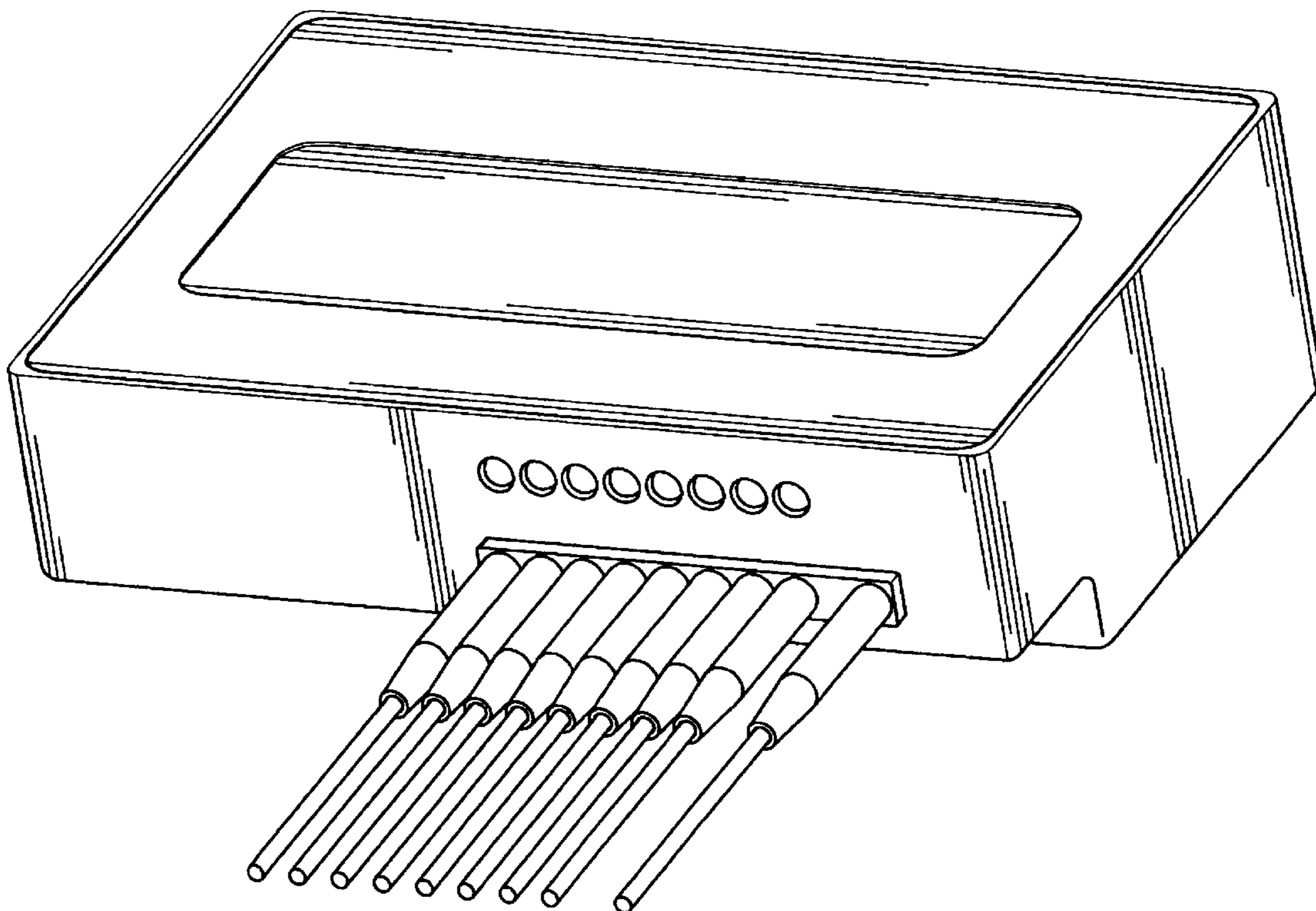
(57) **CLAIM**

The ornamental design for an optical switch, as shown.

DESCRIPTION

FIG. 1 is a front, top and right side perspective view of an optical switch showing my new design;
 FIG. 2 is a front elevational view thereof;
 FIG. 3 is a rear elevational view thereof;
 FIG. 4 is a left side elevational view thereof;
 FIG. 5 is a right side elevational view thereof;
 FIG. 6 is a top plan view thereof; and,
 FIG. 7 is a bottom plan view thereof.

1 Claim, 7 Drawing Sheets



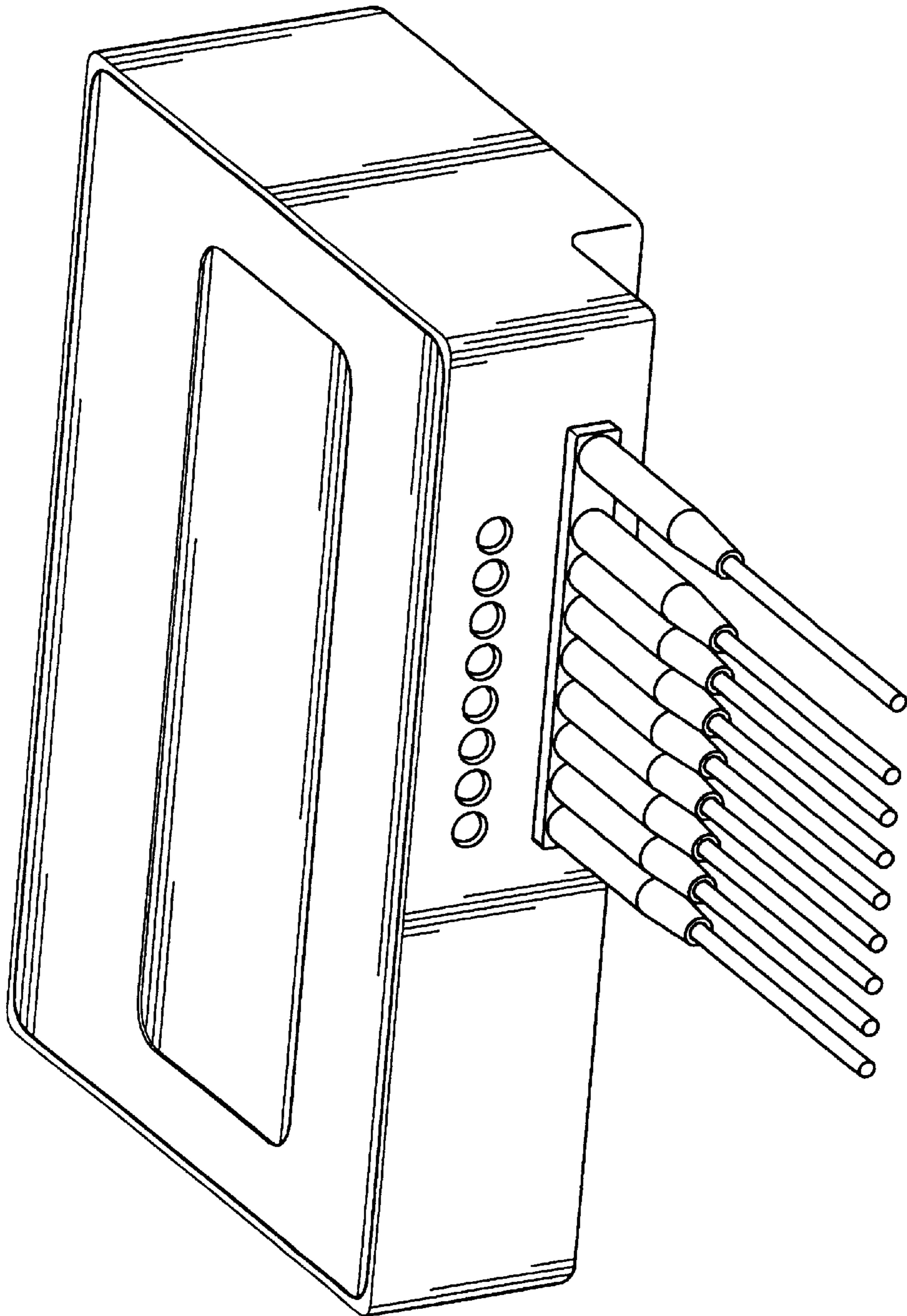


FIG. 1

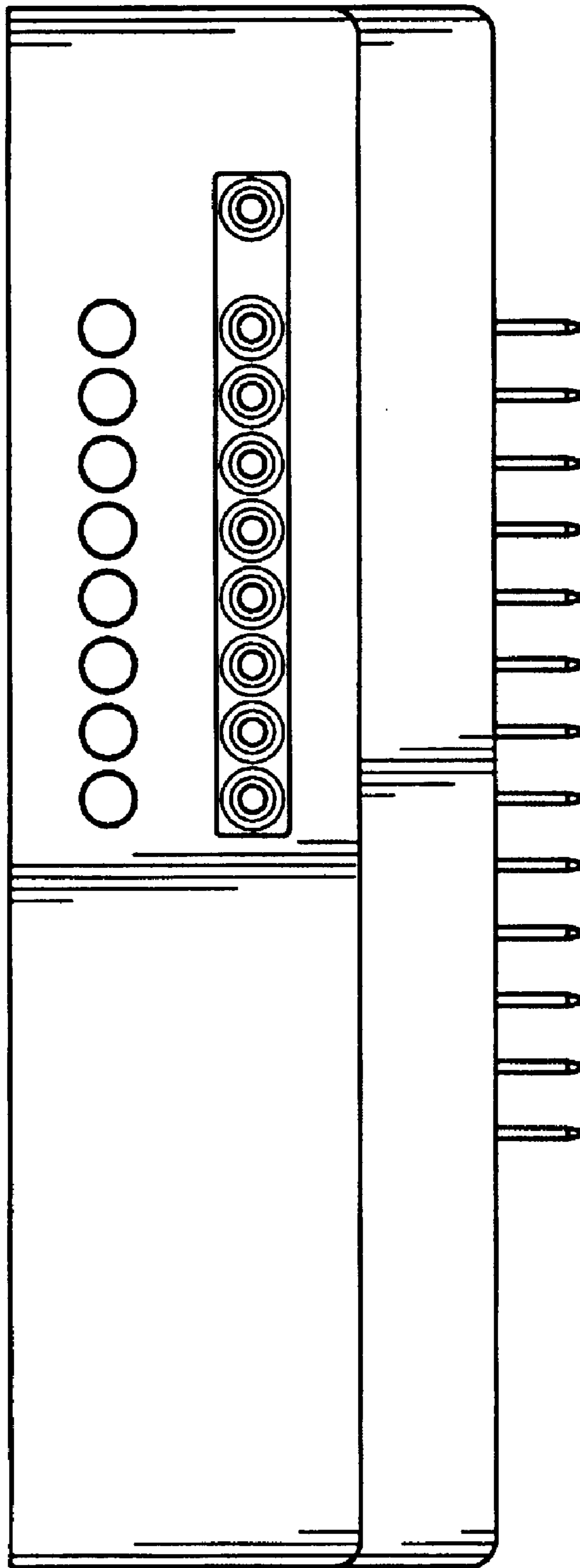


FIG. 2

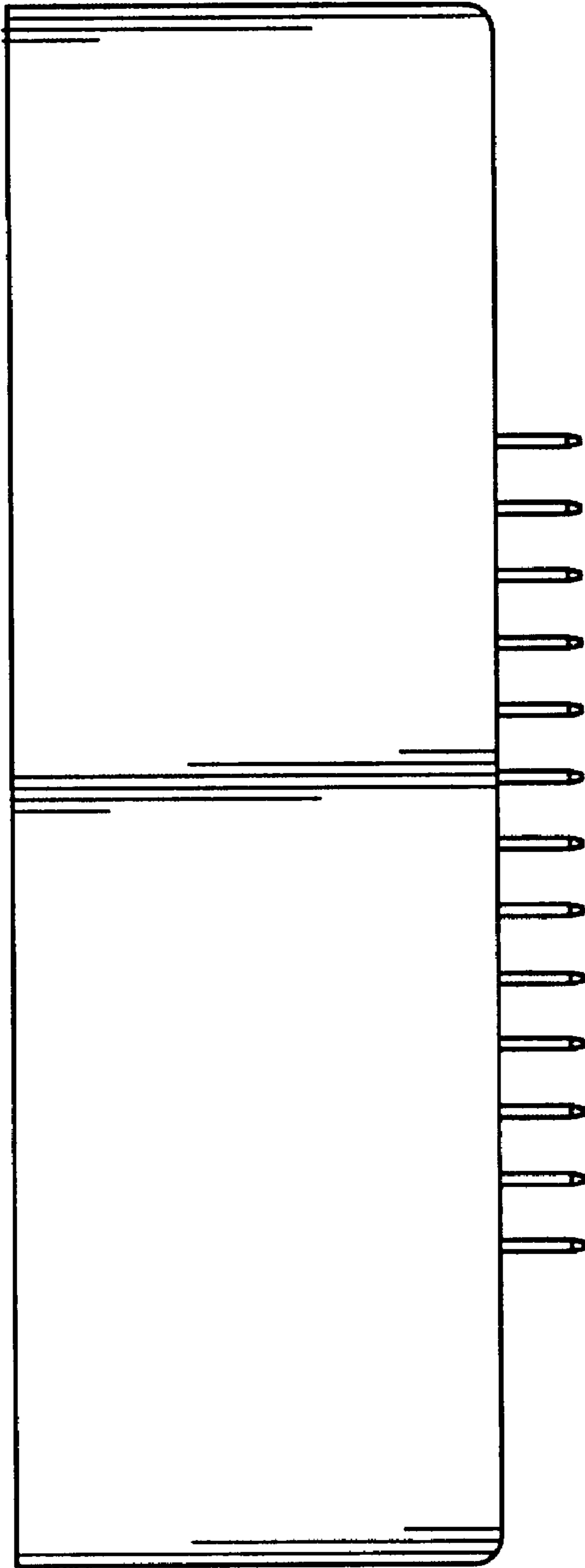


FIG. 3

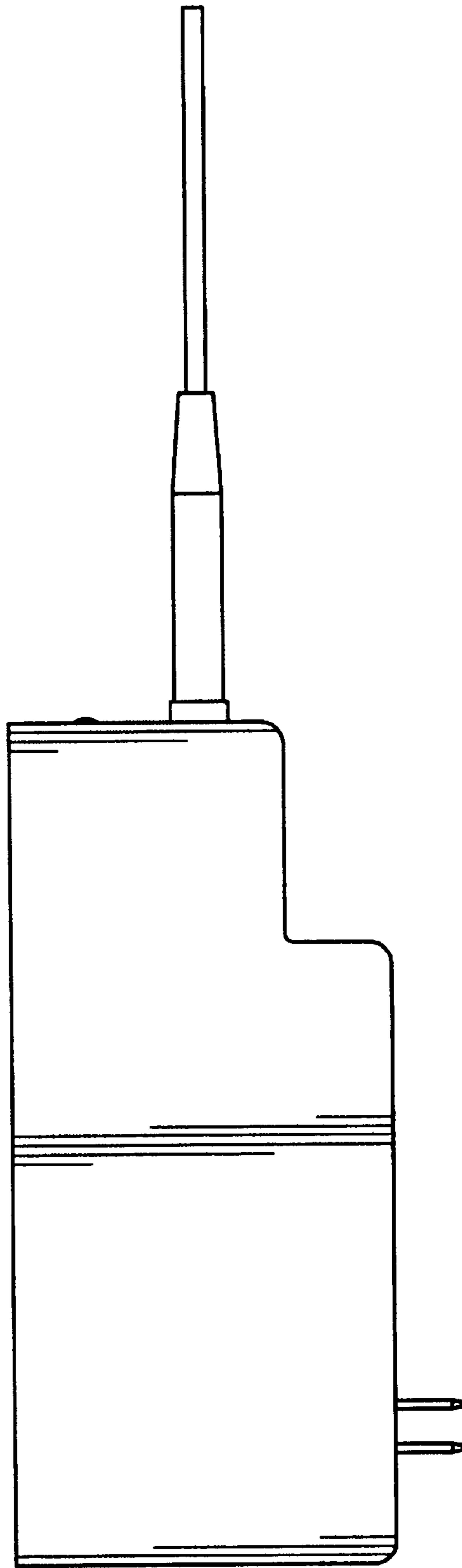


FIG. 4

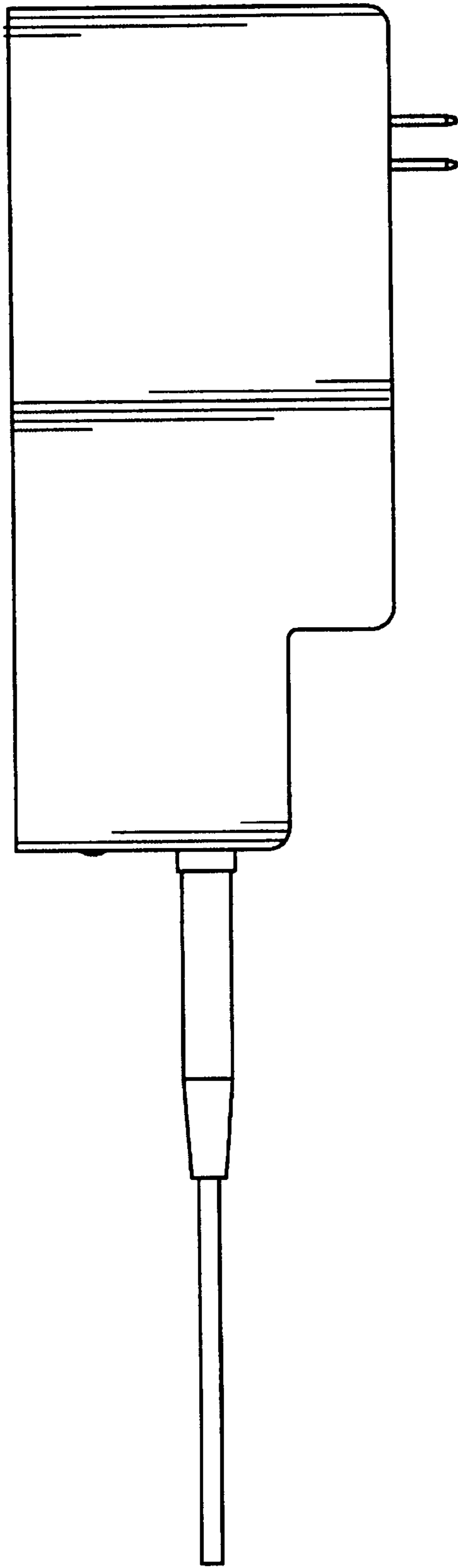


FIG. 5

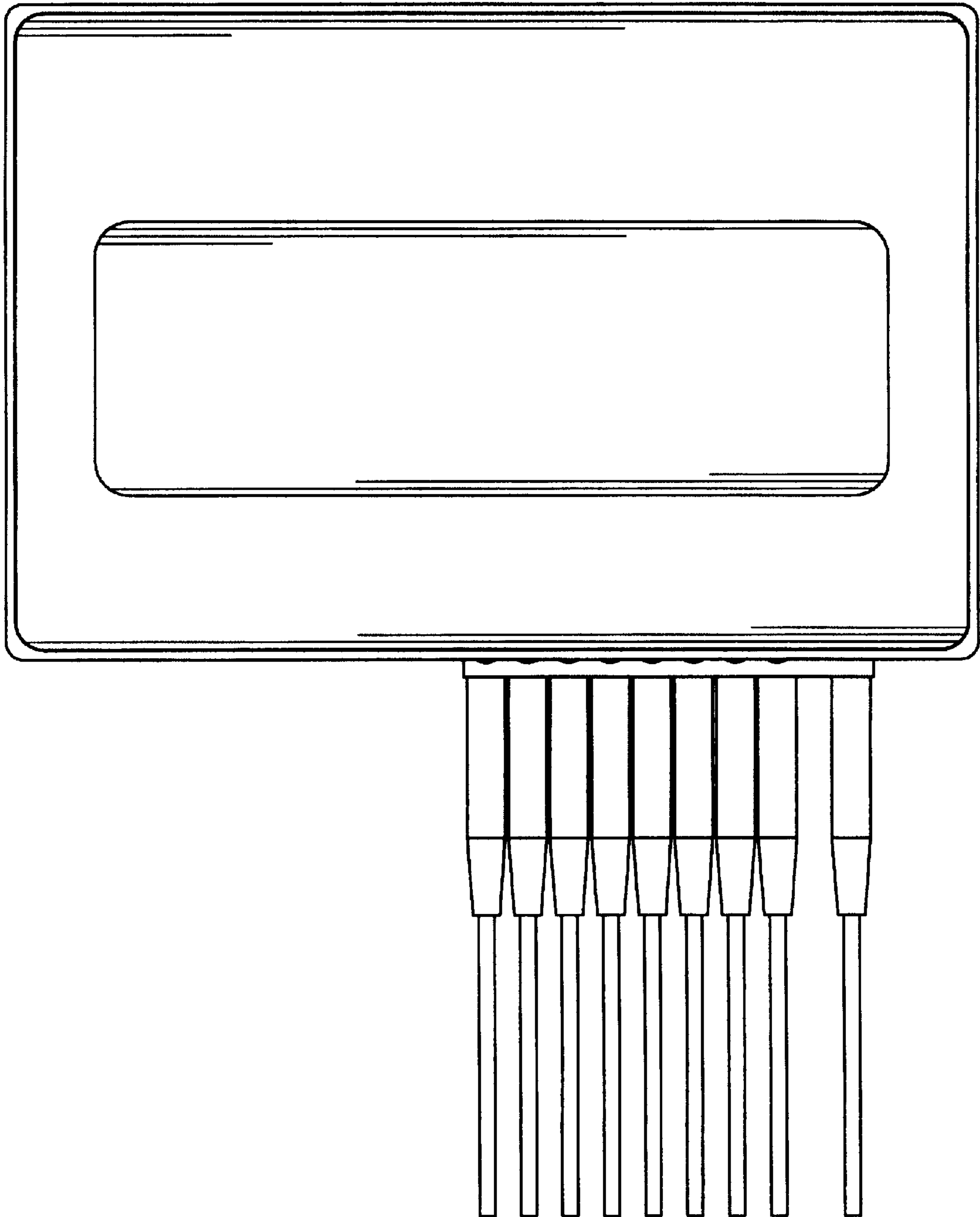


FIG. 6

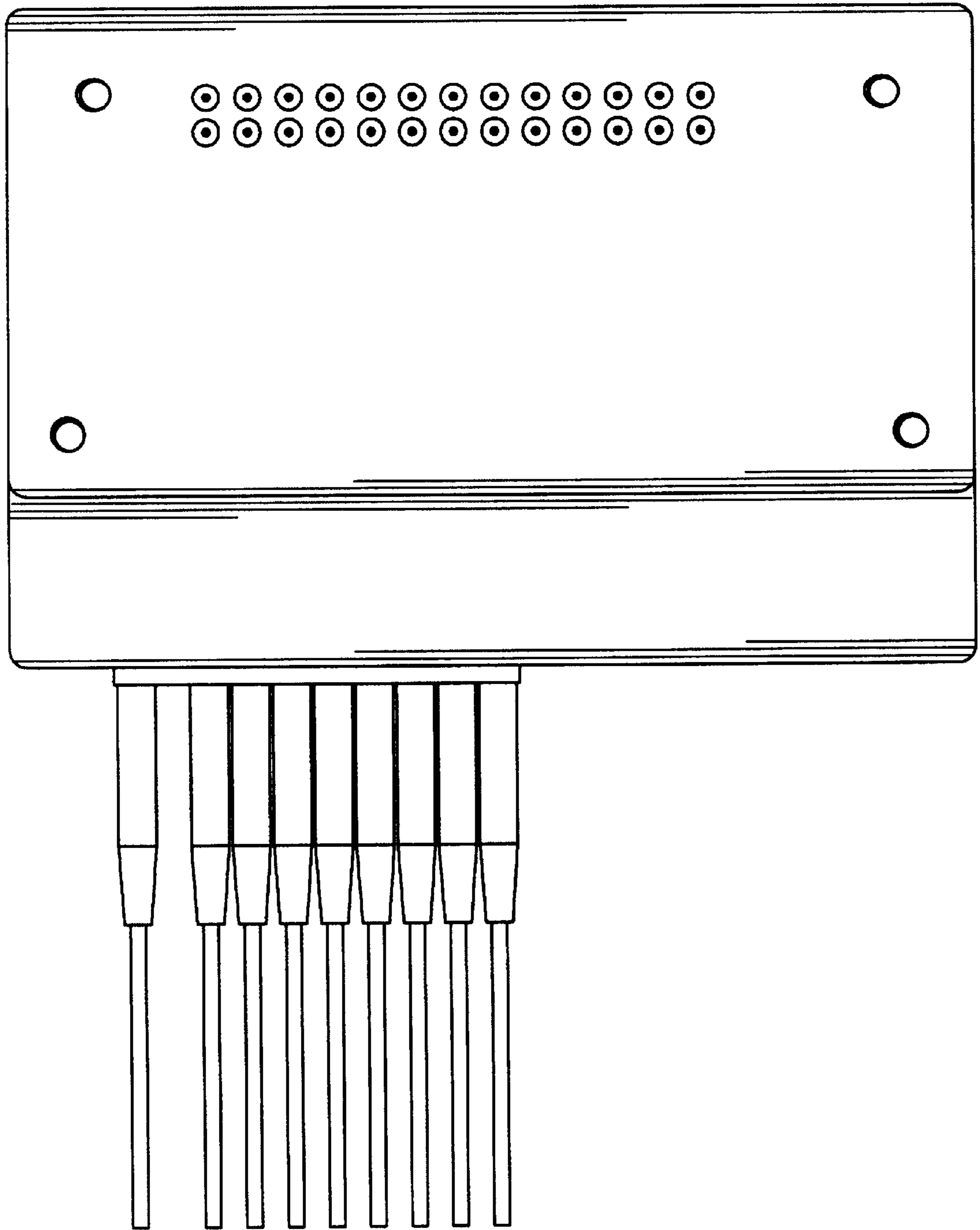


FIG. 7