



US00D475979S

(12) **United States Design Patent** (10) **Patent No.:** **US D475,979 S**  
**Valiga et al.** (45) **Date of Patent:** **\*\* Jun. 17, 2003**

(54) **GANTRY CONTROL PANEL**

(75) Inventors: **Richard A. Valiga**, Waukesha, WI (US); **Fazle Ali**, Brookfield, WI (US); **Holly A. McDaniel**, Waukesha, WI (US)

(73) Assignee: **GE Medical Systems Global Technology Co., LLC**, Waukesha, WI (US)

(\*\*) Term: **14 Years**

(21) Appl. No.: **29/150,978**

(22) Filed: **Oct. 23, 2001**

**Related U.S. Application Data**

(63) Continuation-in-part of application No. 09/682,415, filed on Aug. 30, 2001.

(51) **LOC (7) Cl.** ..... **13-03**

(52) **U.S. Cl.** ..... **D13/162**

(58) **Field of Search** ..... D13/162, 164; D24/158, 159; 250/363.03, 363.08, 366, 491.1; 324/309, 318; 378/4, 13, 15, 19, 21, 114, 117, 118, 137, 145, 146, 193, 195, 196, 198, 204

(56) **References Cited**

**U.S. PATENT DOCUMENTS**

4,093,860	A	*	6/1978	Kelman et al.	.....	378/17
4,262,204	A	*	4/1981	Mirabella	.....	378/20
4,629,989	A	*	12/1986	Riehl et al.	.....	324/318
5,018,178	A		5/1991	Katsumata		
5,546,439	A	*	8/1996	Hsieh	.....	378/15
5,734,692	A	*	3/1998	Seki	.....	378/65
5,848,126	A		12/1998	Fujita et al.		
D414,868	S	*	10/1999	Baars	.....	D24/158
D420,134	S	*	2/2000	Kitayama	.....	D24/159
D425,489	S	*	5/2000	Sacco et al.	.....	D13/162
6,173,031	B1		1/2001	Hoffman et al.		

\* cited by examiner

*Primary Examiner*—Ted Shooman

*Assistant Examiner*—Selina Sikder

(74) *Attorney, Agent, or Firm*—Ziolkowski Patent Solutions Group, LLC; Michael A. Della Penna; Carl B. Horton

(57) **CLAIM**

The ornamental design for a gantry control panel, as shown and described.

**DESCRIPTION**

FIG. 1 is a perspective view of a portion of a medical imaging system incorporating the design of the present invention;

FIG. 2 is a front elevational view of a gantry control panel in accordance with the present invention;

FIG. 3 is a top view of the gantry control panel of FIG. 2; FIG. 4 is a left side view of the gantry control panel of FIG. 2;

FIG. 5 is a right side view of the gantry control panel of FIG. 2;

FIG. 6 is a bottom view of the gantry control panel of FIG. 2;

FIG. 7 is a rear elevational view of the gantry control panel of FIG. 2;

FIG. 8 is a perspective view of a rear portion of a medical imaging system showing an alternate placement of the gantry control panel of FIG. 2;

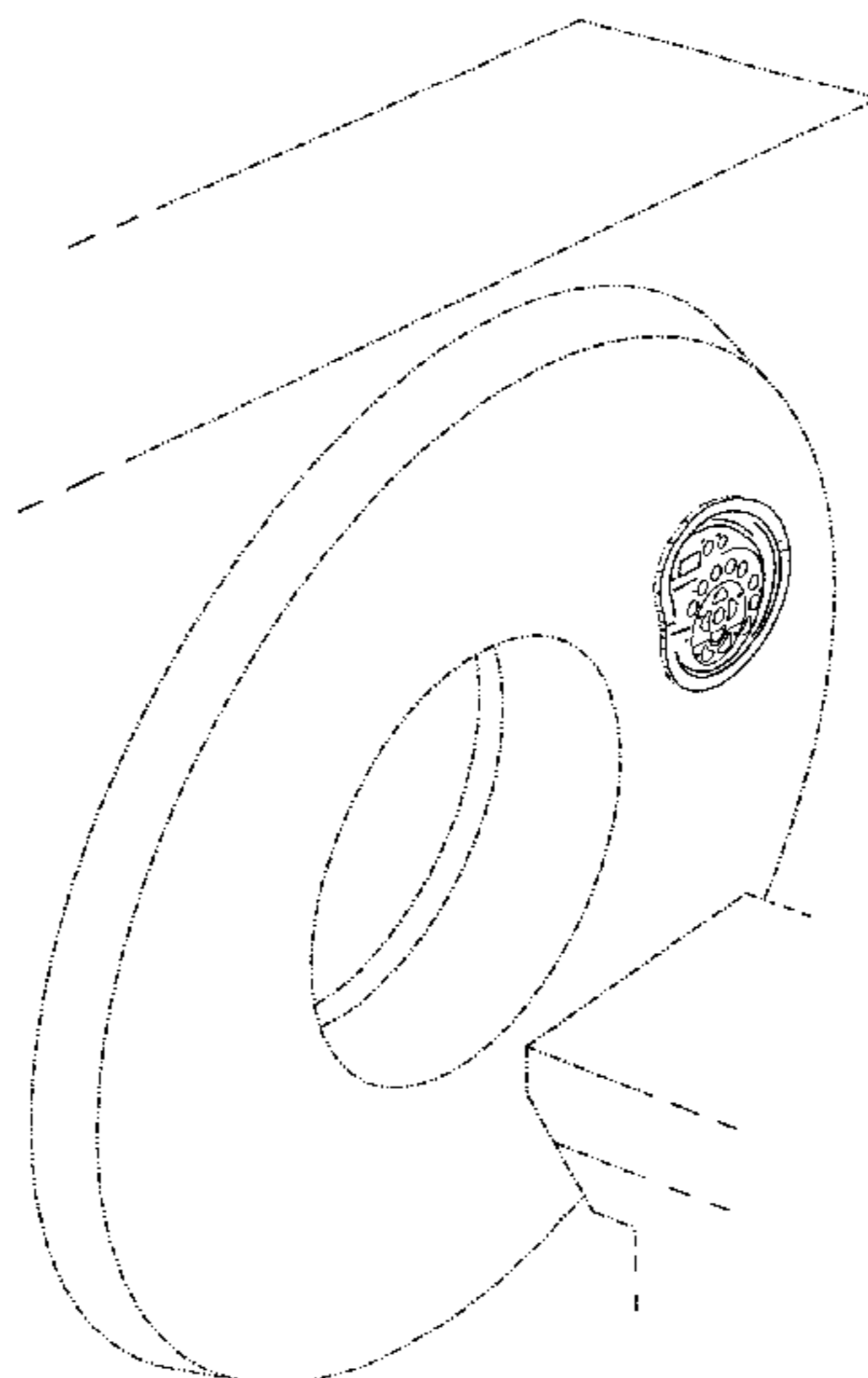
FIG. 9 is a perspective view of a medical imaging system incorporating an alternate embodiment of the design of the present invention;

FIG. 10 is a perspective view of a rear portion of a medical imaging system showing an alternate embodiment of the design of the present invention; and,

FIG. 11 is a front elevational view of a gantry control panel similar to that shown in FIG. 2 and incorporated into the systems shown in FIGS. 9 and 10.

The broken lines shown in all figures are for illustrative purposes only and form no part of the claimed design.

**1 Claim, 8 Drawing Sheets**



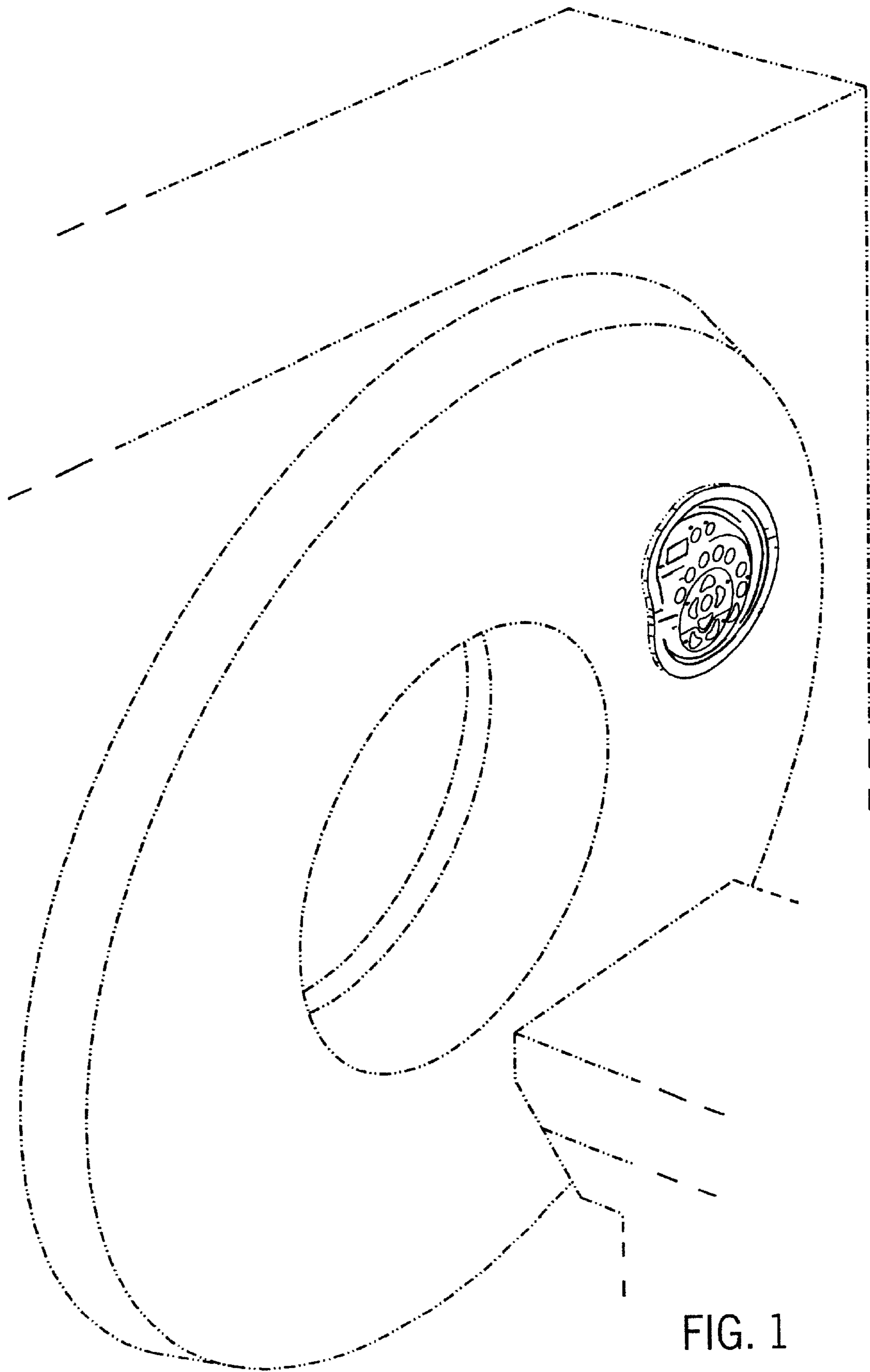


FIG. 1

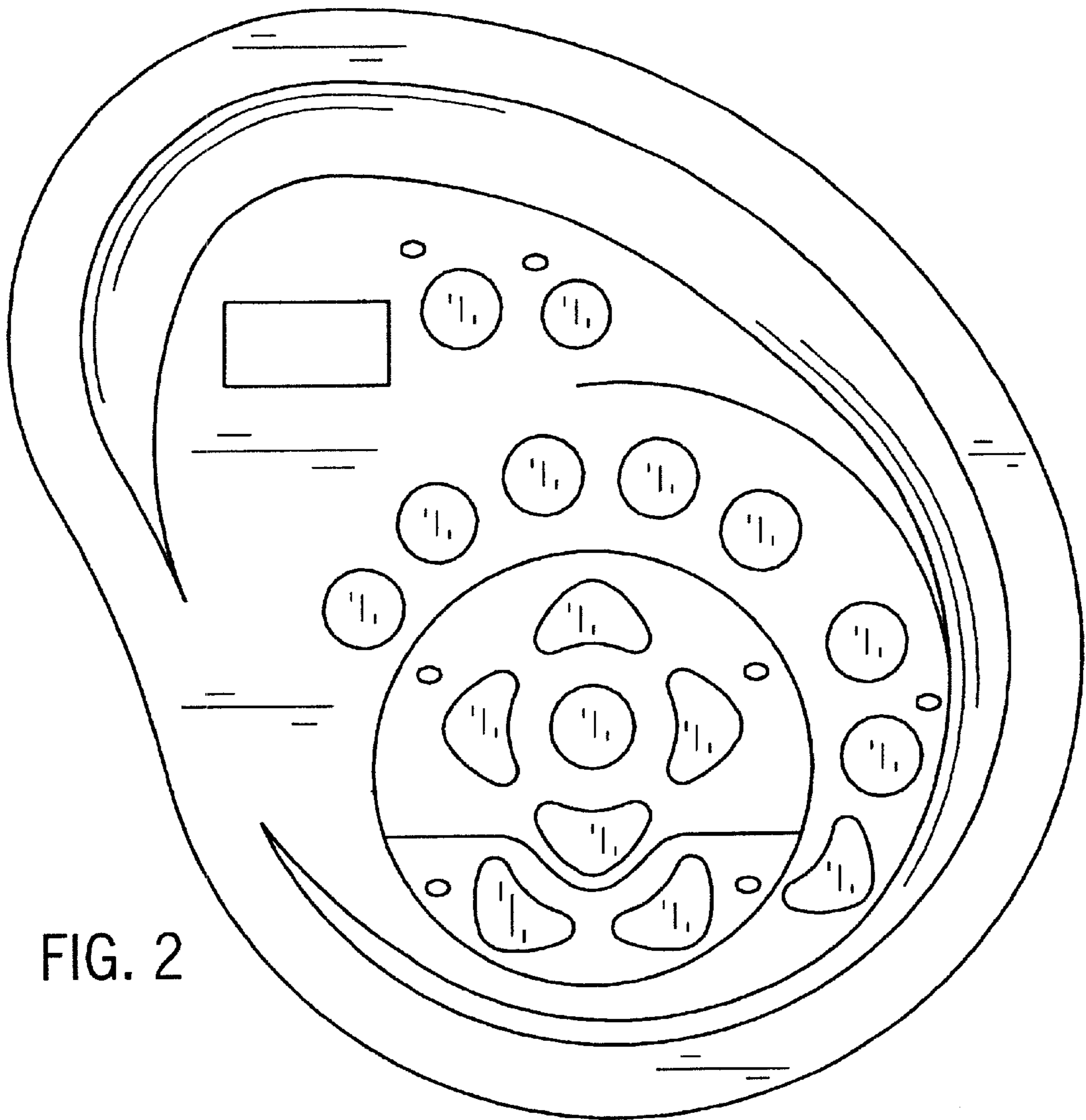


FIG. 2

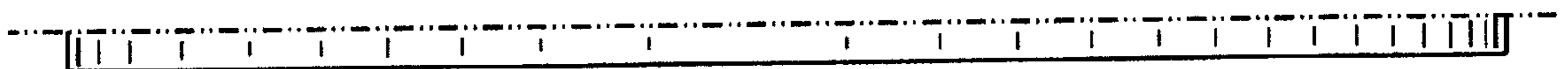


FIG. 3



FIG. 4



FIG. 5

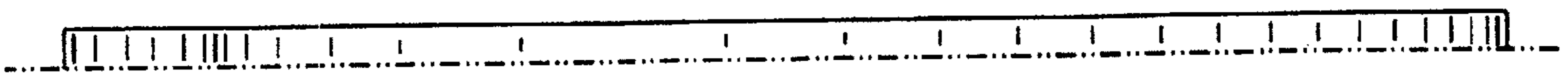


FIG. 6

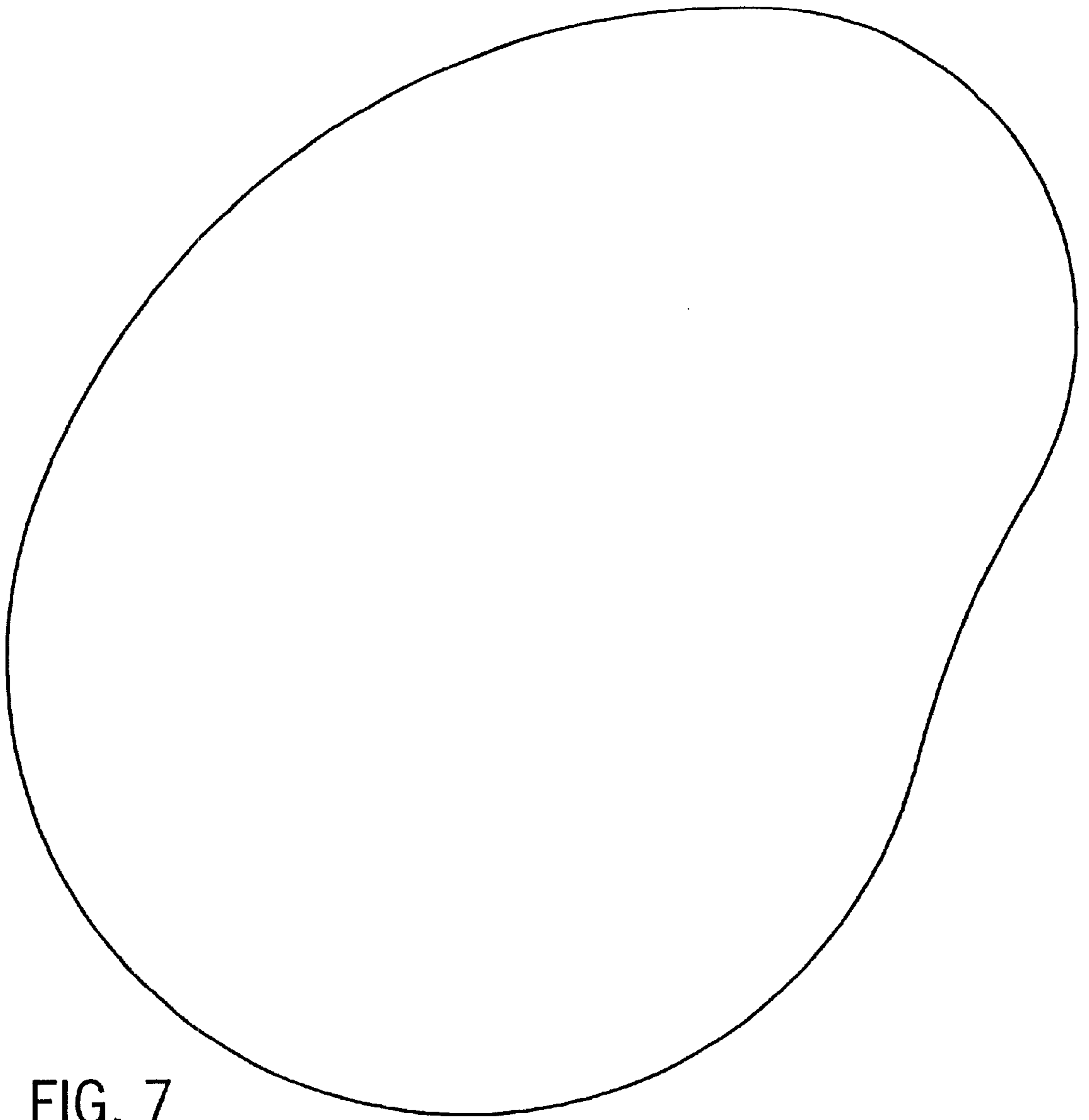


FIG. 7

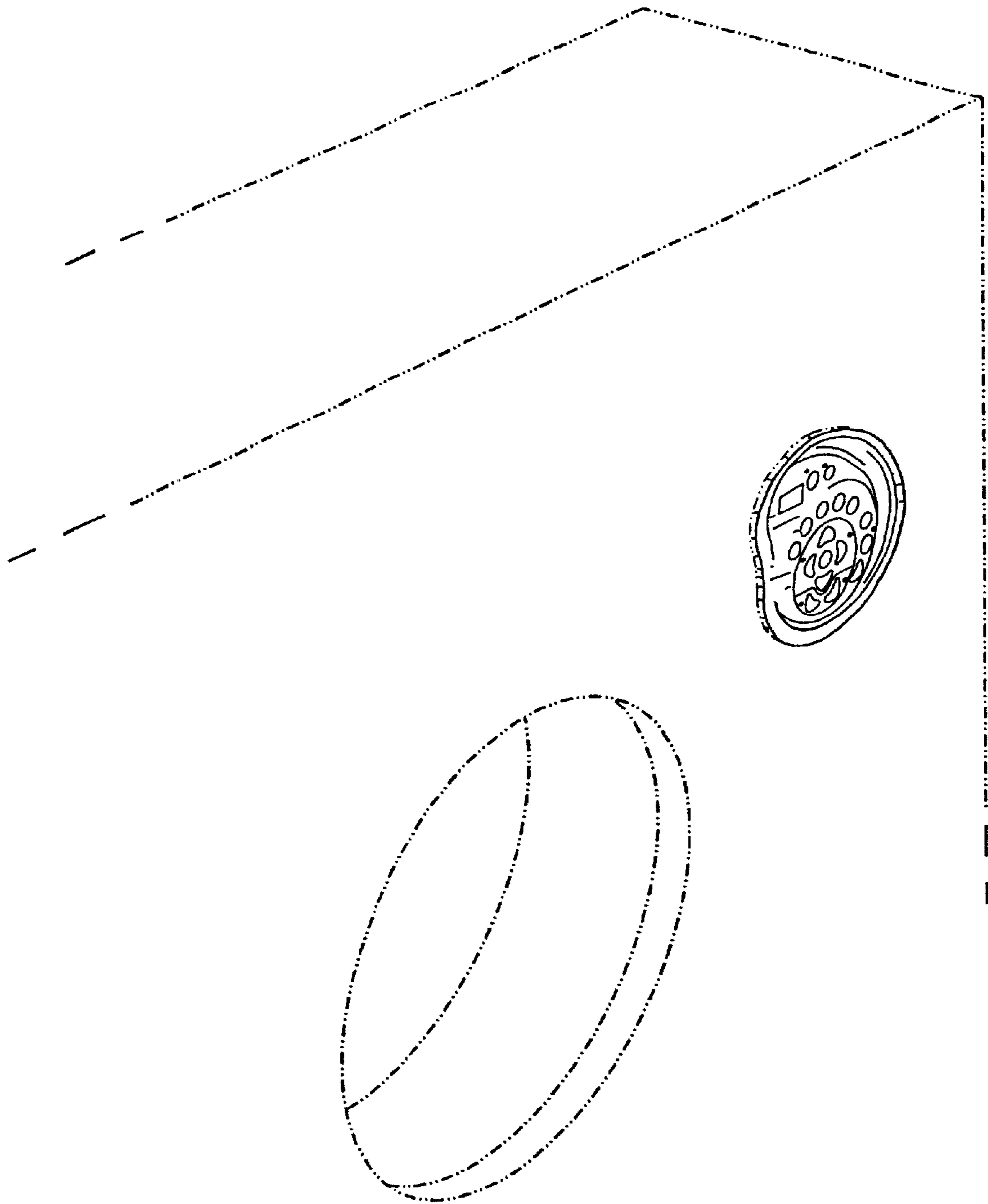


FIG. 8

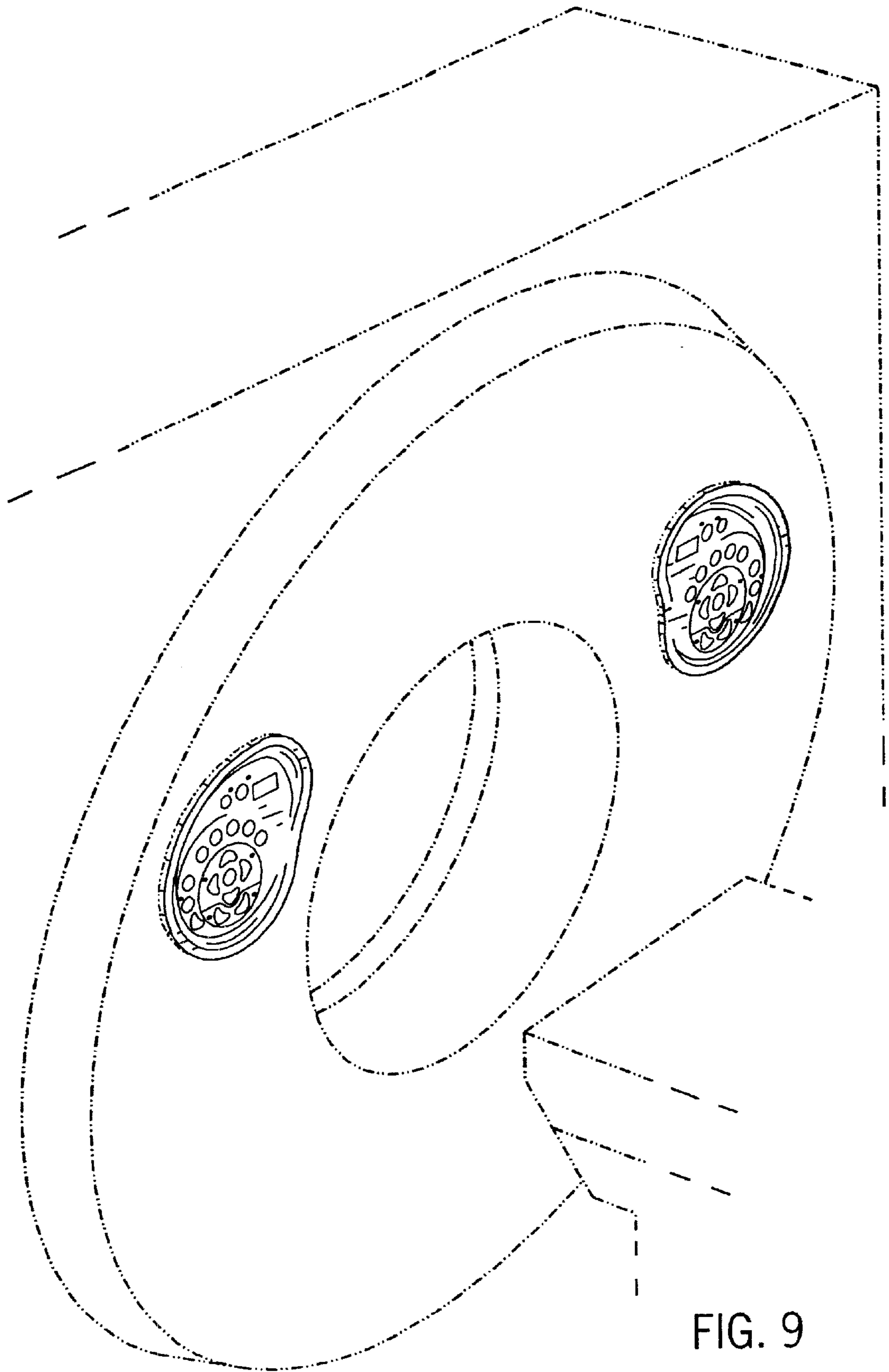


FIG. 9

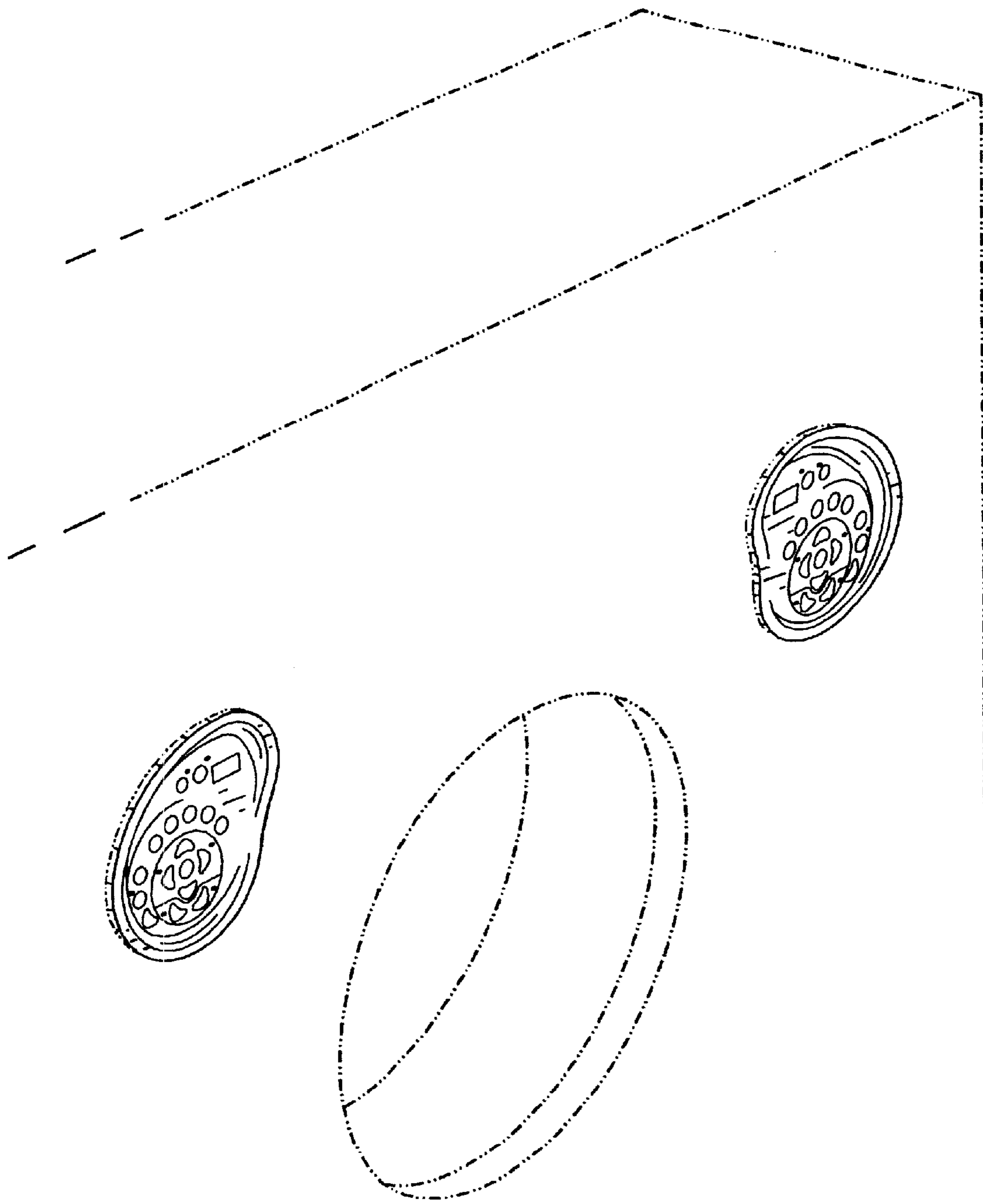


FIG. 10



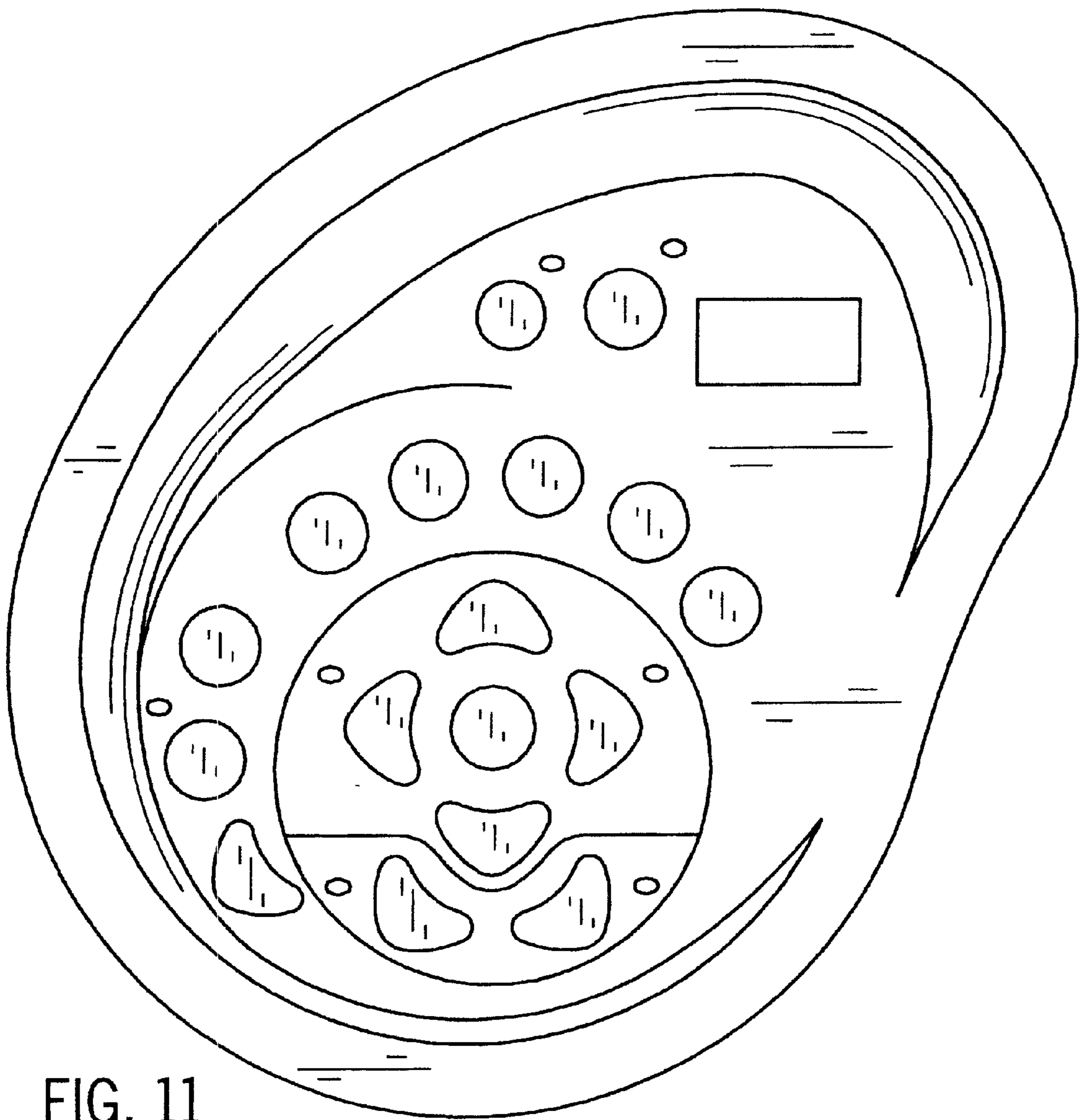


FIG. 11