



US00D475978S

(12) **United States Design Patent**
Renne et al.

(10) **Patent No.:** **US D475,978 S**

(45) **Date of Patent:** **** Jun. 17, 2003**

(54) **CIRCUIT BREAKER FACE**

(75) Inventors: **Scott Wayne Renne**, Bellingham, WA (US); **Kevin Lowell Lacy**, Bellingham, WA (US); **Porter Hoagland, Jr.**, West Mystic, CT (US)

(73) Assignee: **Blue Sea Systems**, Bellingham, WA (US)

(**) Term: **14 Years**

(21) Appl. No.: **29/140,861**

(22) Filed: **Apr. 25, 2001**

(51) **LOC (7) Cl.** **13-03**

(52) **U.S. Cl.** **D13/160**

(58) **Field of Search** D13/158, 160, D13/178, 184; 200/43.01, 43.16, 293, 293.1, 294, 308, 302.3, 318.2, 330, 329; 335/68, 73; 337/33-35, 60, 66, 67, 68, 91

(56) **References Cited**

U.S. PATENT DOCUMENTS

2,620,409 A	*	2/1952	Cobb et al.	200/11 EA
3,980,845 A	*	9/1976	Gryctko et al.	200/50.15
4,531,174 A	*	7/1985	Rickmann	361/609
5,004,994 A		4/1991	Korczynski et al.	337/66
5,021,761 A		6/1991	Stack et al.	337/68
D321,339 S		11/1991	Stack et al.	D13/160
D322,960 S		1/1992	Stack et al.	D13/160
D357,669 S		4/1995	Stack et al.	D13/178

5,607,047 A	*	3/1997	Leet et al.	200/303
5,694,106 A		12/1997	Wang	337/79
5,902,973 A	*	5/1999	Ramey et al.	200/50.01
6,015,956 A	*	1/2000	Green	200/43.14
6,144,001 A	*	11/2000	Green et al.	200/304
6,192,718 B1	*	2/2001	Bollinger, Jr. et al.	70/2
6,194,983 B1	*	2/2001	Bogdon et al.	335/68
6,275,126 B1	*	8/2001	Martelli et al.	335/202

* cited by examiner

Primary Examiner—Ted Shooman

Assistant Examiner—Selina Sikder

(74) *Attorney, Agent, or Firm*—Brian L. Johnson; George C. Rondeau, Jr.; Davis Wright Tremaine LLP

(57) **CLAIM**

The ornamental design for a circuit breaker face, as shown and described.

DESCRIPTION

FIG. 1 is an isometric view of a circuit breaker face showing our new design.

FIG. 2 is a front elevation view thereof.

FIG. 3 is a bottom plan view thereof.

FIG. 4 is a rear elevation view thereof.

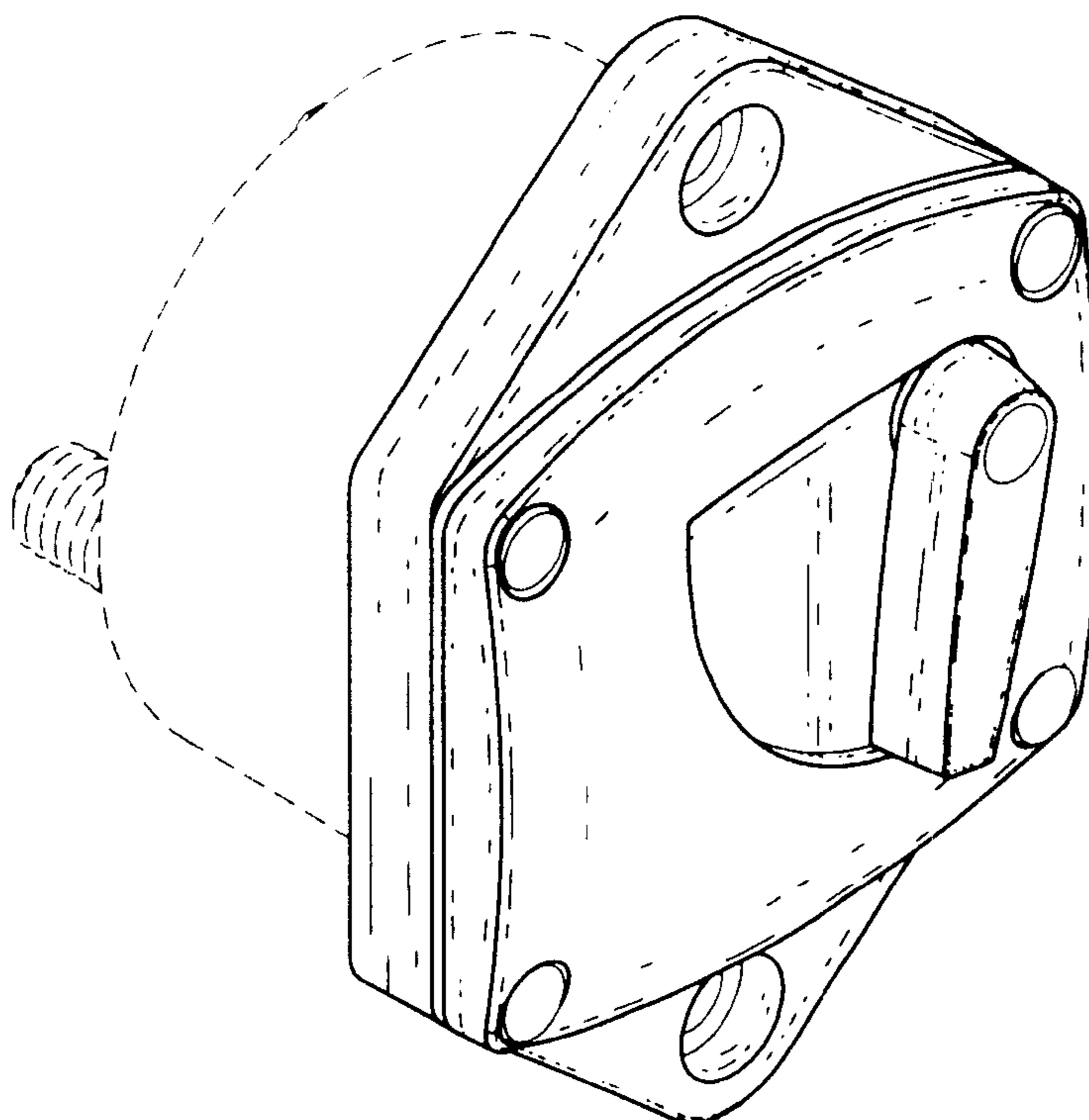
FIG. 5 is a top plan view thereof.

FIG. 6 is a left side elevation view thereof; and,

FIG. 7 is a right side elevation view thereof.

The broken lines in the figures are for illustrative purposes only and form no part of the claimed design.

1 Claim, 3 Drawing Sheets



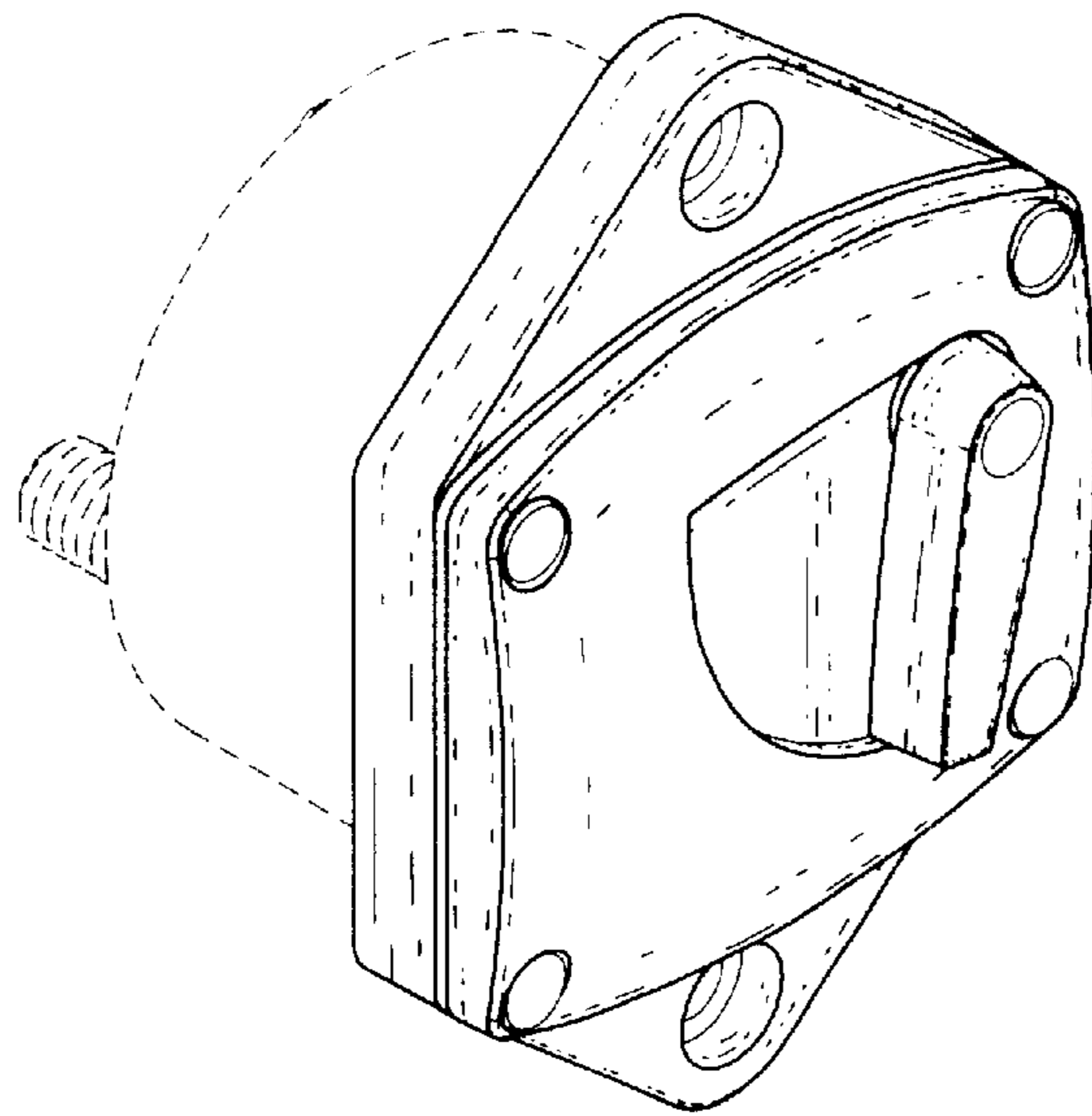


Fig. 1

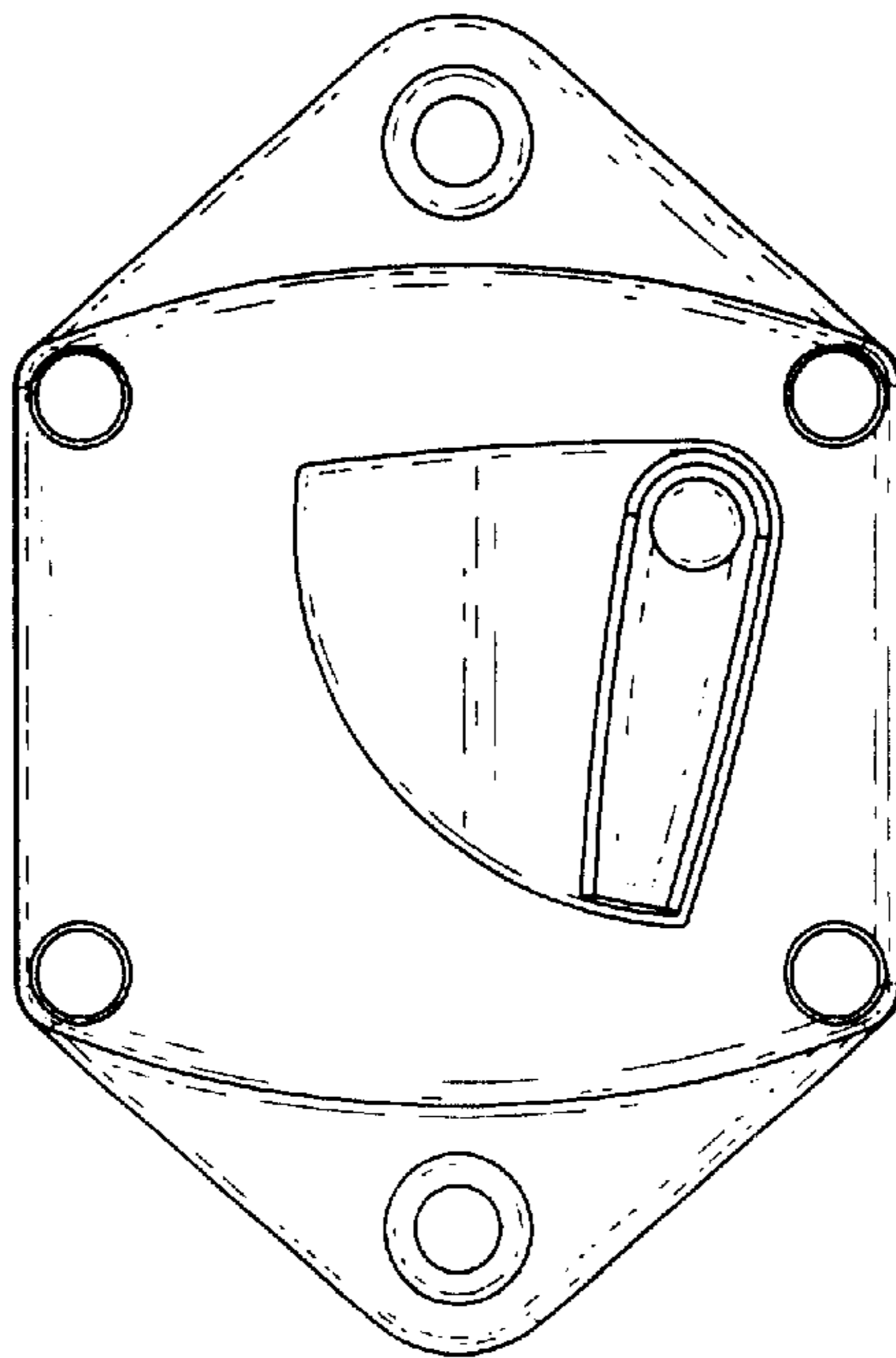


Fig. 2

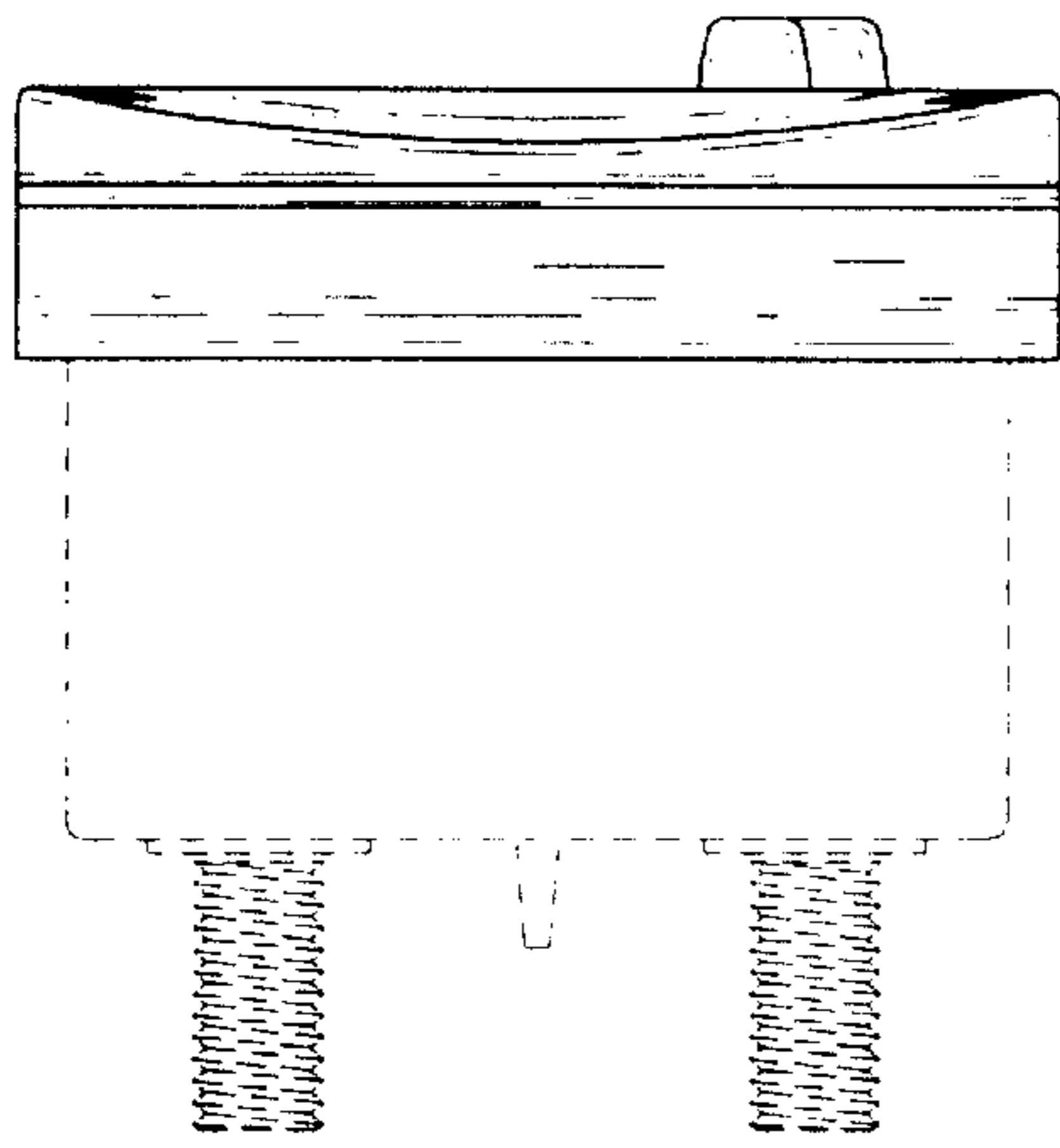


Fig. 3

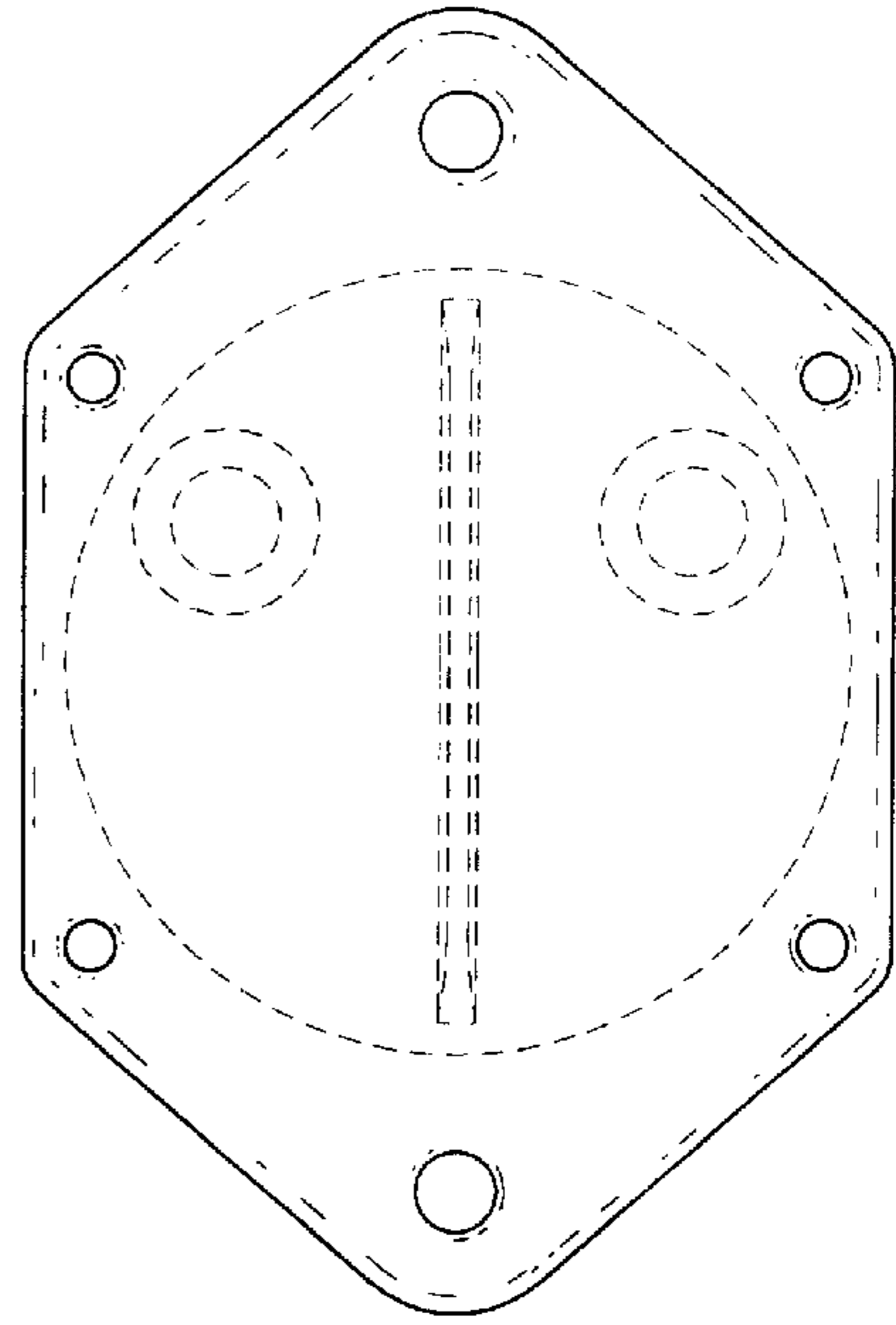


Fig. 4

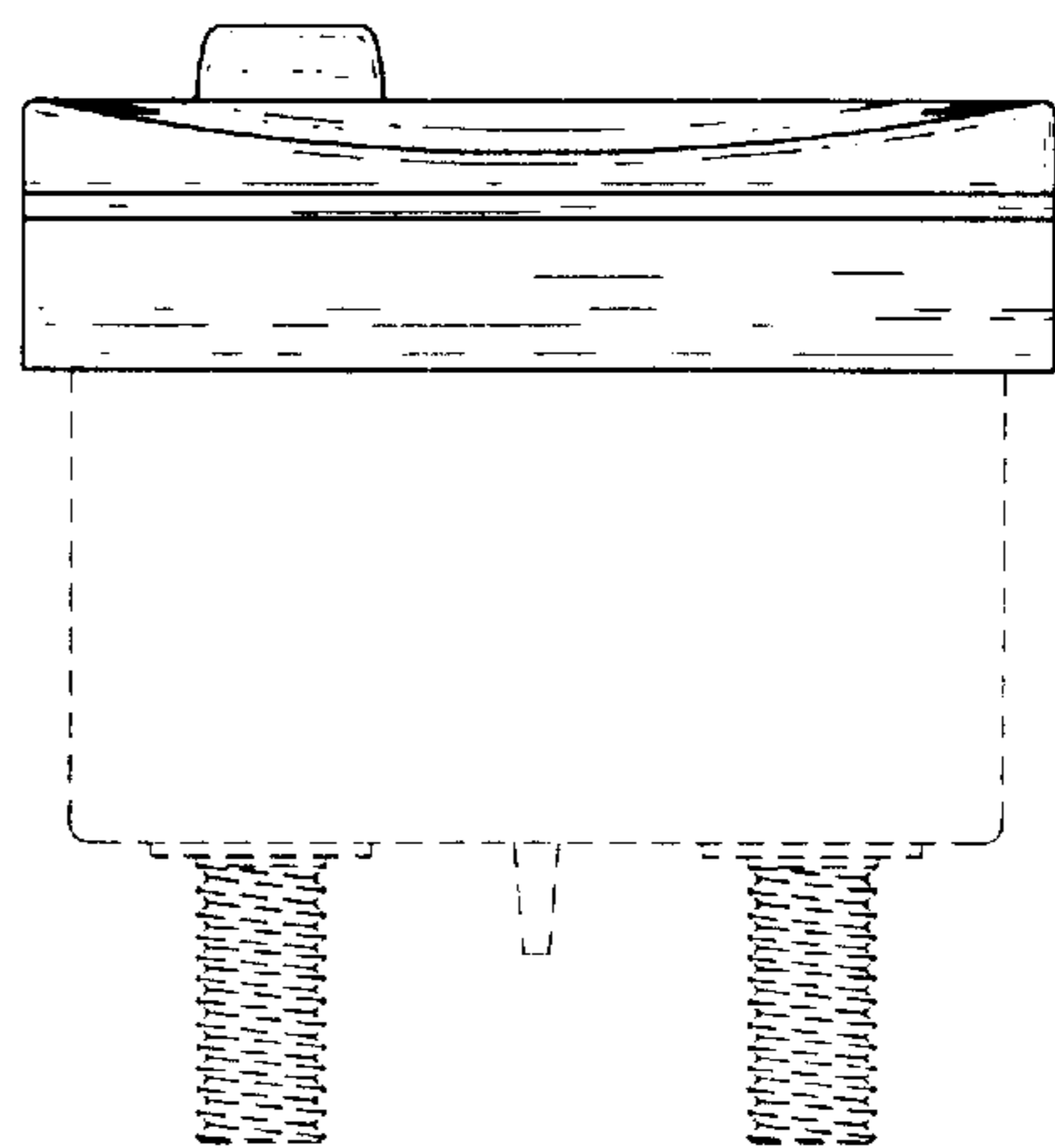


Fig. 5

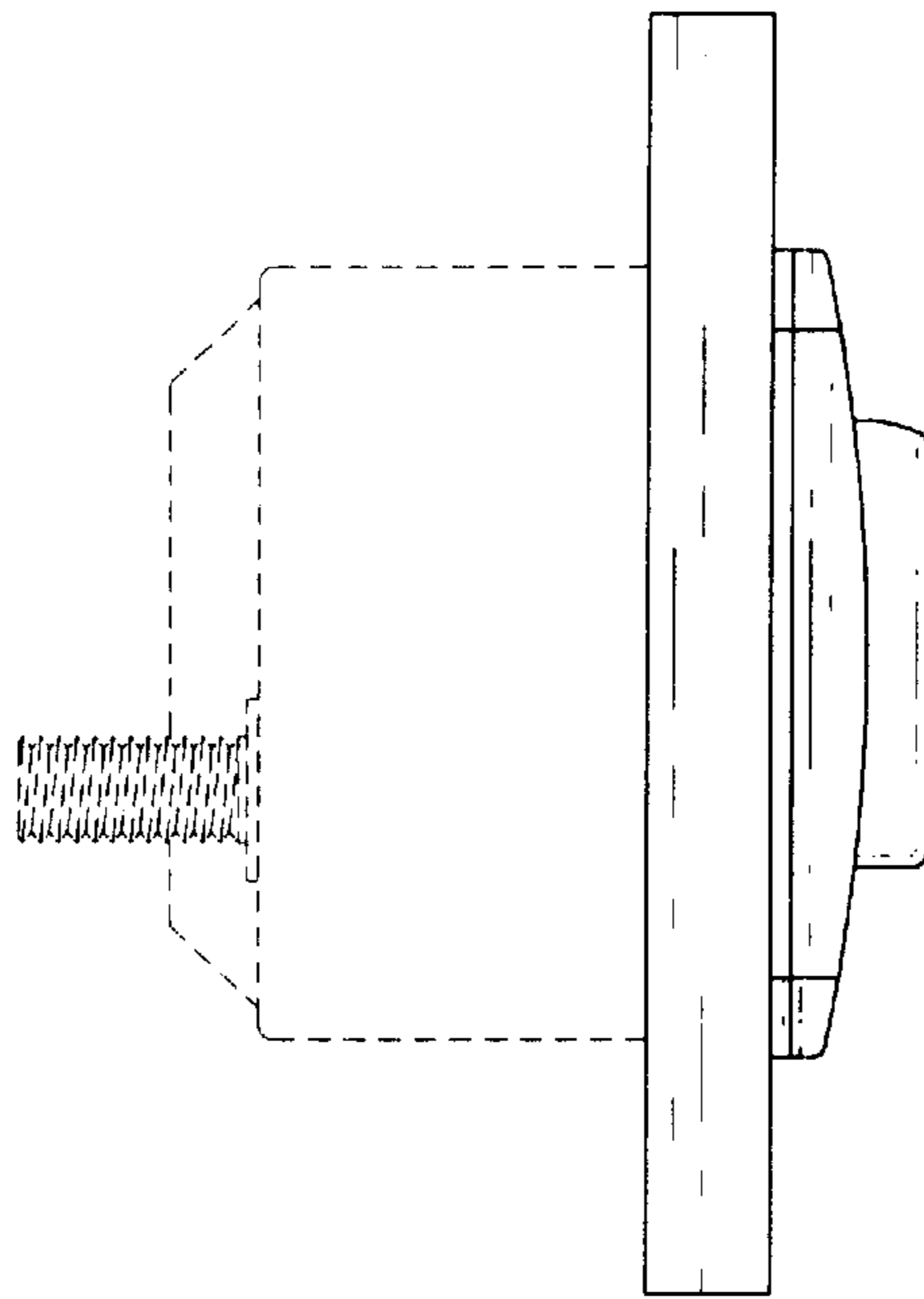


Fig. 6

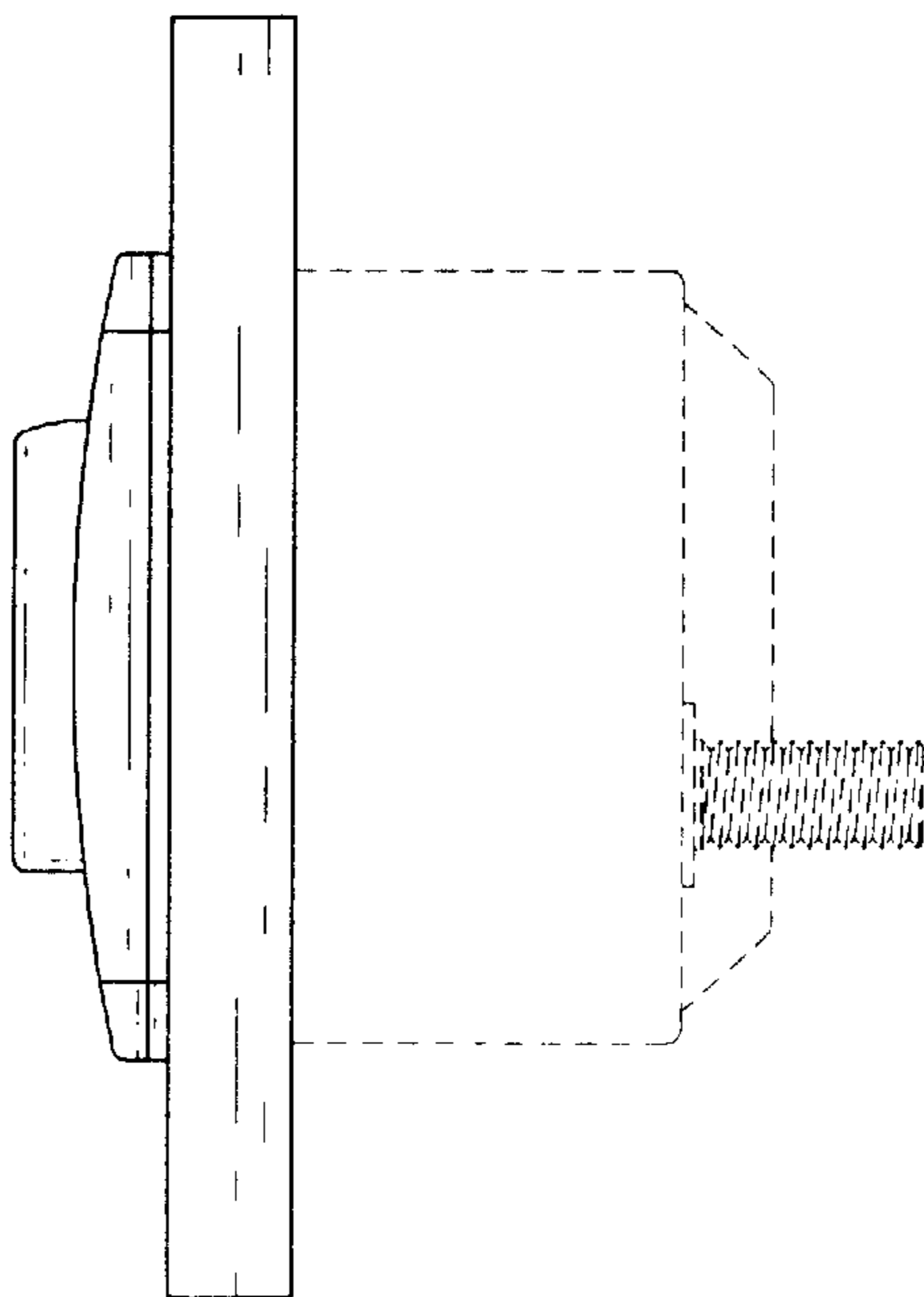


Fig. 7