



US00D475977S

(12) **United States Design Patent**
Montena

(10) **Patent No.:** **US D475,977 S**

(45) **Date of Patent:** **** Jun. 17, 2003**

(54) **CO-AXIAL CABLE COMPRESSION CONNECTOR**

(75) **Inventor:** **Noah Montena**, Syracuse, NY (US)

(73) **Assignee:** **John Mezzalingua Associates, Inc.**, E. Syracuse, NY (US)

(**) **Term:** **14 Years**

(21) **Appl. No.:** **29/171,575**

(22) **Filed:** **Nov. 22, 2002**

(51) **LOC (7) Cl.** **13-03**

(52) **U.S. Cl.** **D13/151**

(58) **Field of Search** D13/133, 154, D13/151; 439/578, 580, 583-585; 174/75 C

(56) **References Cited**

U.S. PATENT DOCUMENTS

- 3,499,101 A * 3/1970 Forney, Jr. et al. 174/75 C
- 4,553,806 A * 11/1985 Forney, Jr. et al. 439/585 X
- 4,593,964 A * 6/1986 Forney, Jr. et al. 439/580
- 4,813,887 A * 3/1989 Capp 439/580
- 5,501,616 A * 3/1996 Holliday 439/585
- 5,525,076 A * 6/1996 Down 439/585

- 6,153,830 A * 11/2000 Montena 439/578 X
- D437,826 S * 2/2001 Montena D13/133
- D462,327 S * 9/2002 Montena D13/151
- D468,696 S * 1/2003 Montena D13/151
- 2002/0013088 A1 * 1/2002 Rodrigues et al. 439/578

* cited by examiner

Primary Examiner—Joel Sincavage

(74) *Attorney, Agent, or Firm*—George R. McGuire; Hancock & Estabrook, LLP

(57) **CLAIM**

The ornamental design for a co-axial cable compression connector, as shown and described.

DESCRIPTION

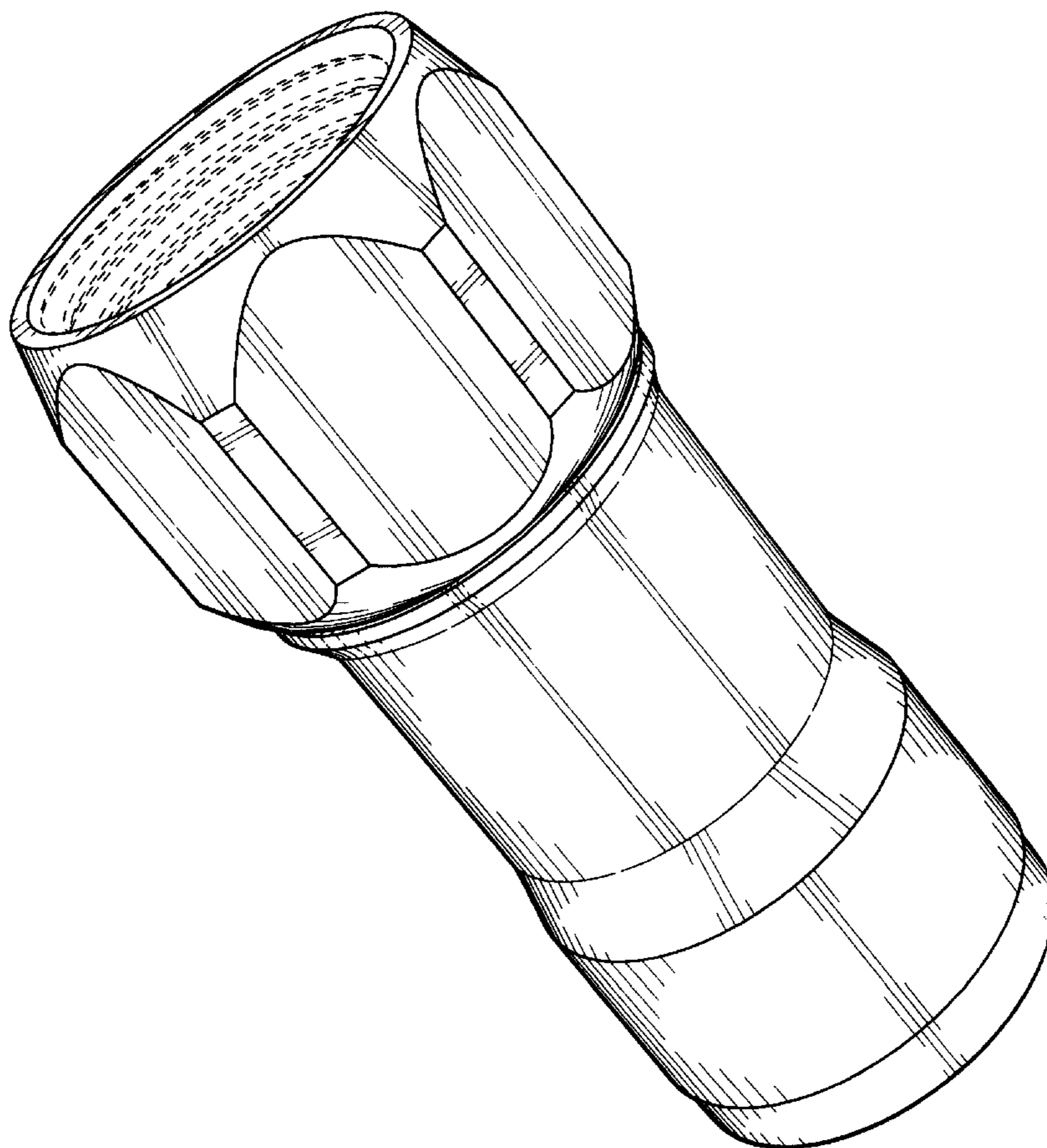
FIG. 1 is a perspective view of a new and ornamental co-axial cable connector in a closed position, with portions shown in phantom for illustrative purposes only and forming no part of the claimed invention;

FIG. 2 is a top plan view thereof, the bottom plan and side elevational views all being mirror images of the top plan view;

FIG. 3 is a nut end view thereof; and,

FIG. 4 is a cable end view thereof.

1 Claim, 3 Drawing Sheets



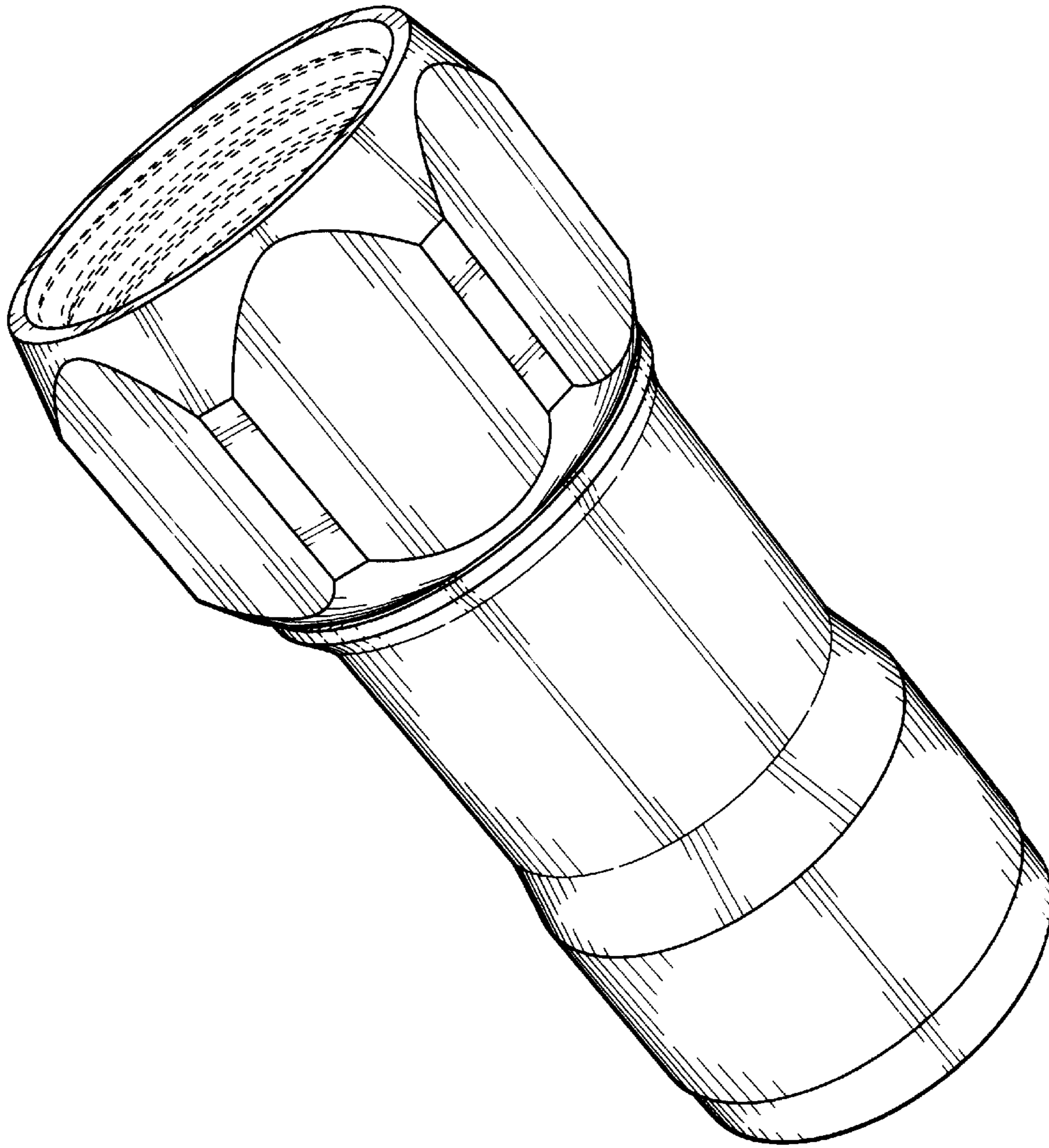


FIG. 1

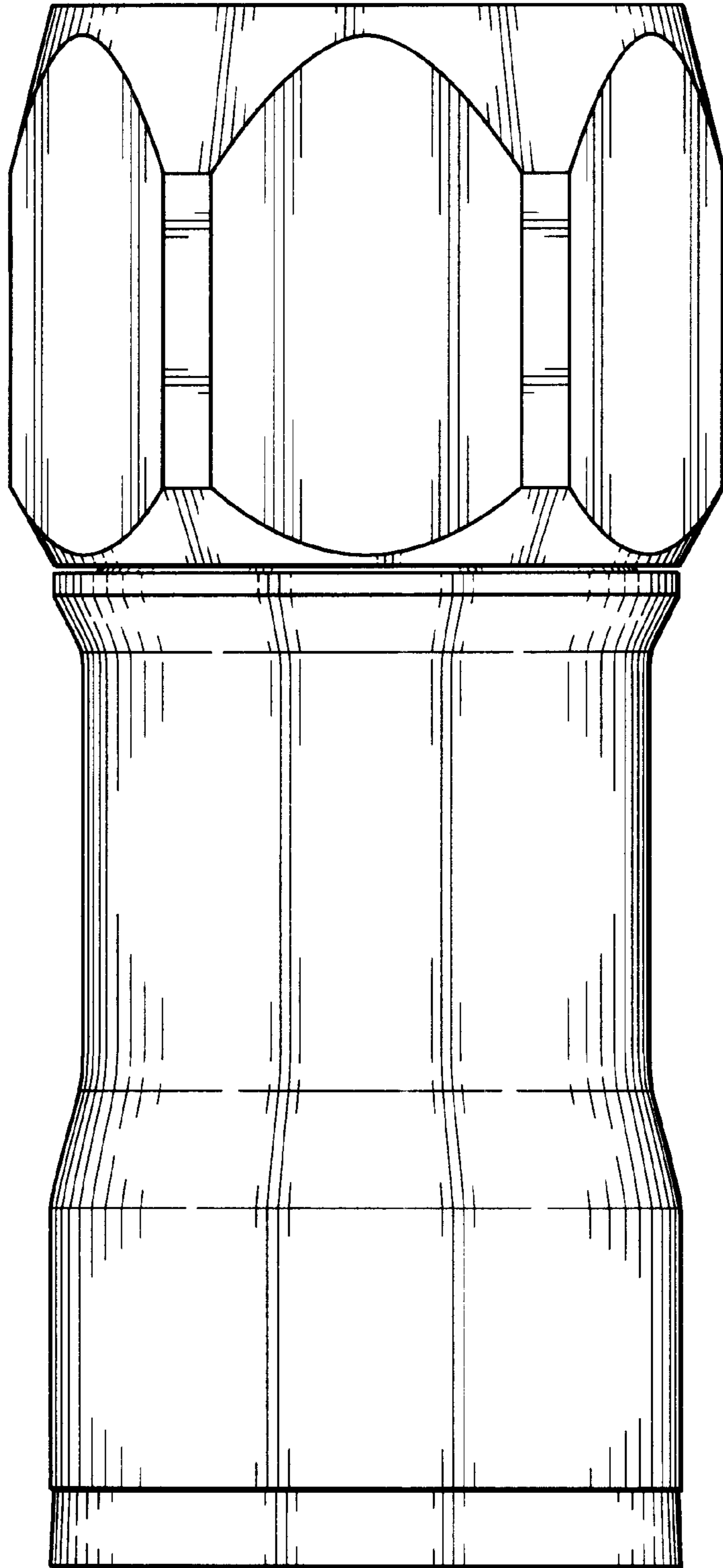


FIG. 2

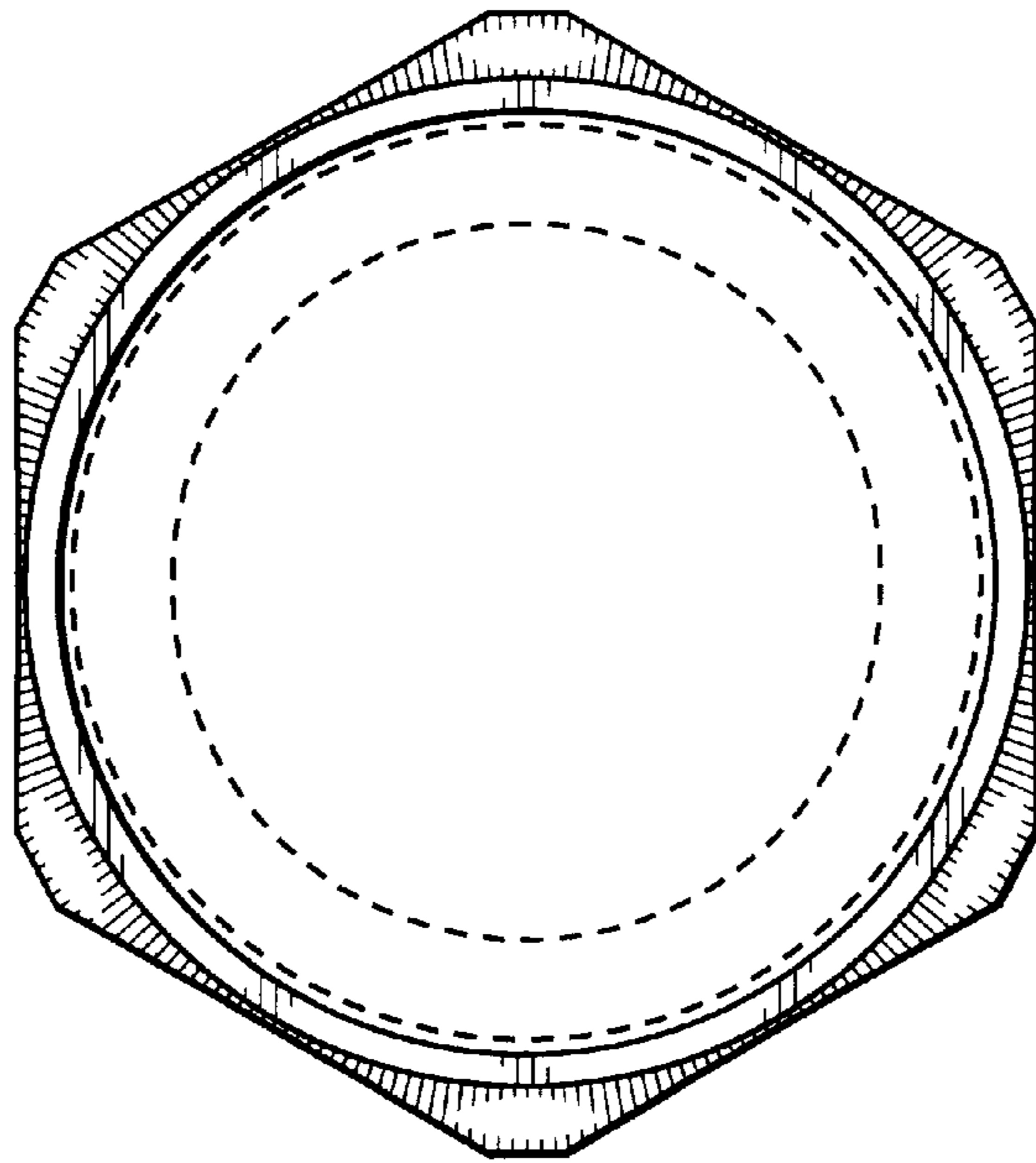


FIG. 3

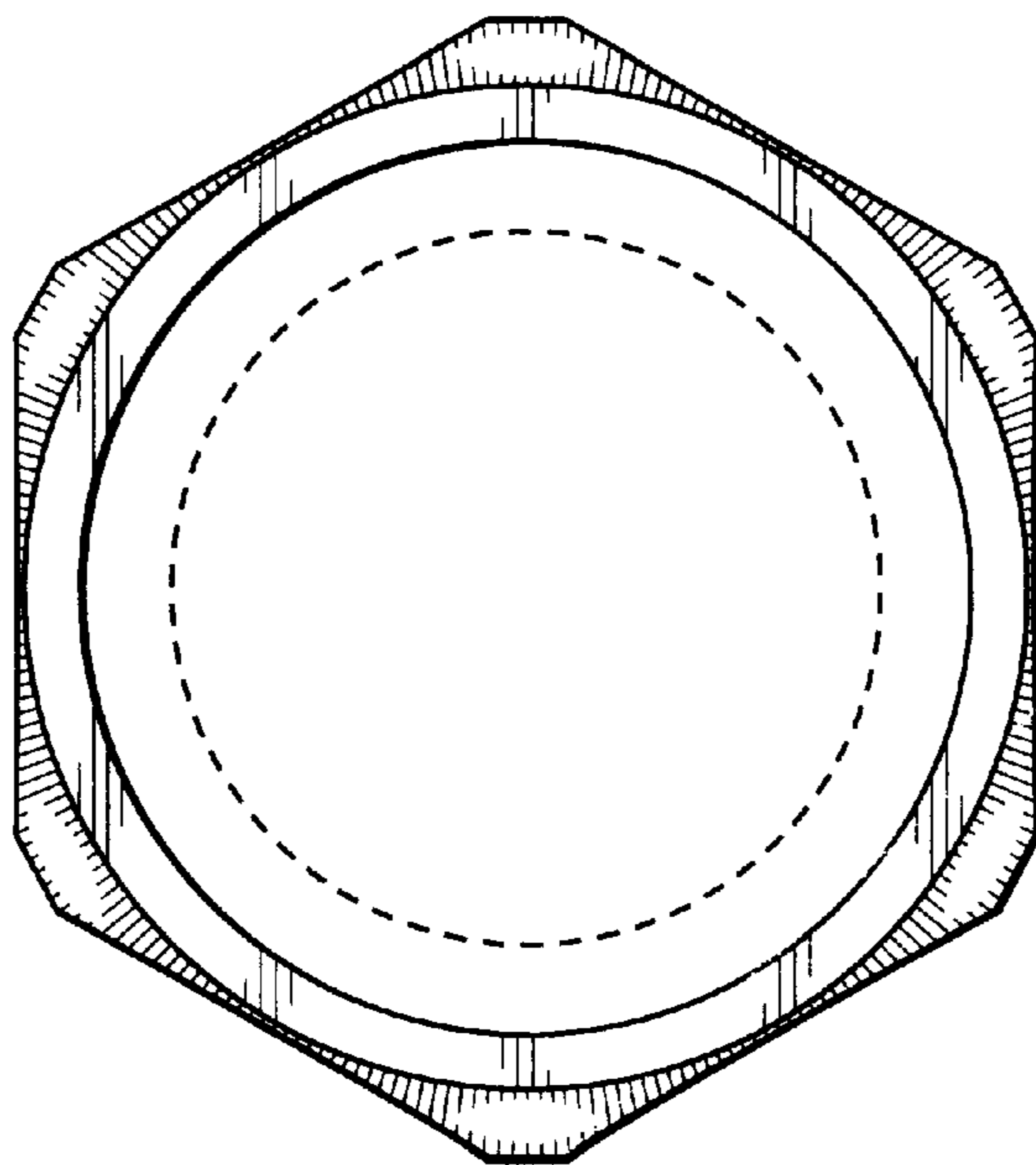


FIG. 4