



US00D475976S

(12) **United States Design Patent**  
**Montena**

(10) **Patent No.:** **US D475,976 S**

(45) **Date of Patent:** **\*\* Jun. 17, 2003**

(54) **CO-AXIAL CABLE COMPRESSION CONNECTOR**

D462,327 S \* 9/2002 Montena ..... D13/151  
2002/0013088 A1 \* 1/2002 Rodrigues et al. .... 439/578

\* cited by examiner

(75) Inventor: **Noah Montena**, E. Syracuse, NY (US)

*Primary Examiner*—Joel Sincavage

(73) Assignee: **John Mezzalingua Associates, Inc.**,  
Syracuse, NY (US)

(74) *Attorney, Agent, or Firm*—George R. McGuire;  
Hancock & Estabrook, LLP

(\*\*) Term: **14 Years**

(57) **CLAIM**

(21) Appl. No.: **29/171,574**

The ornamental design for a co-axial cable compression connector, as shown and described.

(22) Filed: **Nov. 22, 2002**

**DESCRIPTION**

(51) **LOC (7) Cl.** ..... **13-03**

(52) **U.S. Cl.** ..... **D13/151**

(58) **Field of Search** ..... D13/133, 154,  
D13/151; 439/578, 580, 583–585; 174/75 C

FIG. 1 is a perspective view of a new and ornamental co-axial cable connector in an open position, with portions shown in phantom for illustrative purposes only and forming no part of the claimed invention;

(56) **References Cited**

FIG. 2 is a top plan view thereof, the bottom plan and side elevational views all being mirror images of the top plan view;

**U.S. PATENT DOCUMENTS**

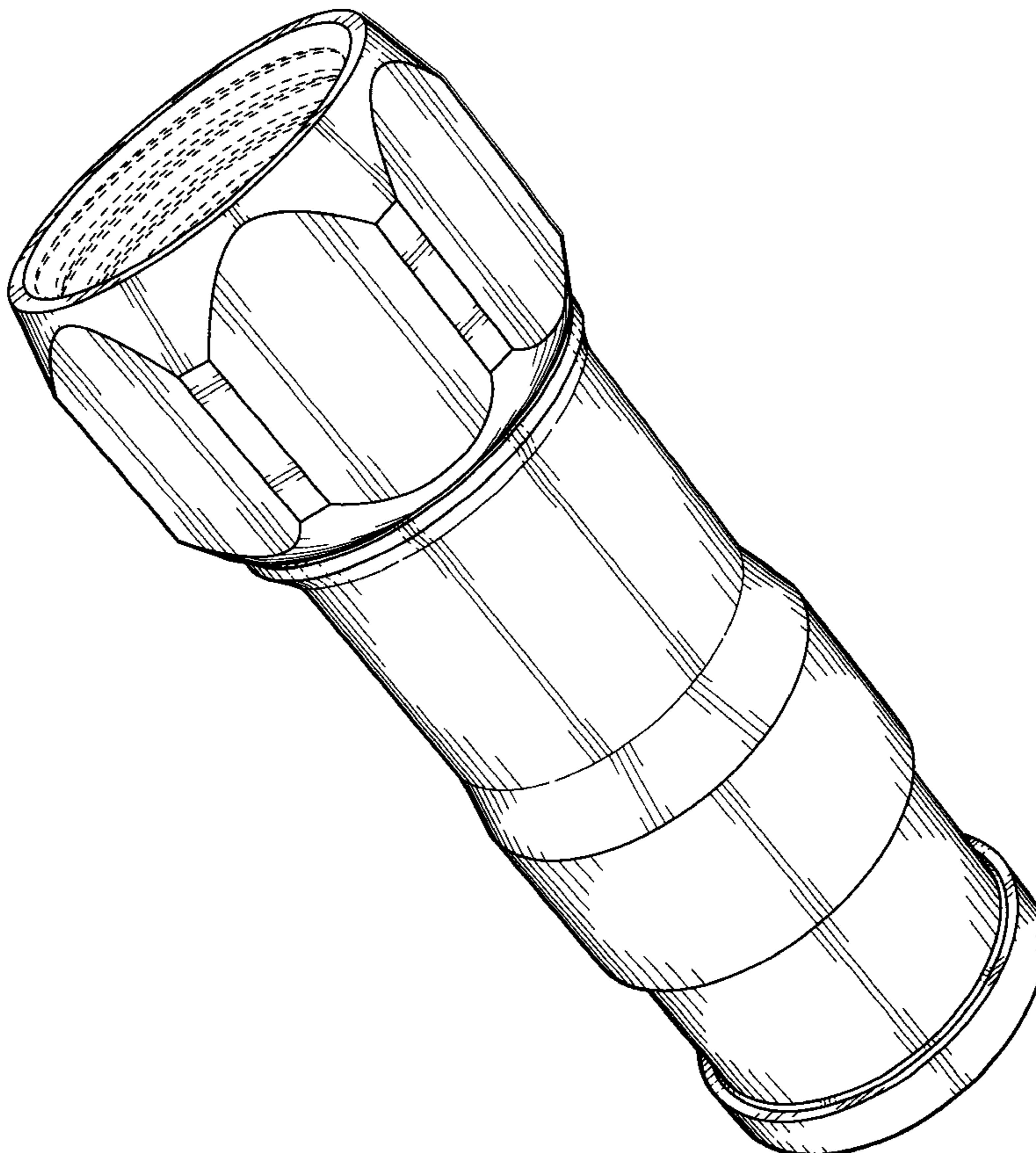
- 3,499,101 A \* 3/1970 Forney, Jr. et al. .... 174/75 C
- 4,126,372 A \* 11/1978 Hashimoto et al. .... 439/583
- 4,553,806 A \* 11/1985 Forney, Jr. et al. .... 439/580 X
- 4,593,964 A \* 6/1986 Forney, Jr. et al. .... 439/580
- 4,813,887 A \* 3/1989 Capp ..... 439/580
- 5,501,616 A \* 3/1996 Holliday ..... 439/585
- 5,525,076 A \* 6/1996 Down ..... 439/585
- 6,153,830 A \* 11/2000 Montena ..... 439/578 X
- D437,826 S \* 2/2001 Montena ..... D13/133

FIG. 3 is a nut end view thereof; and

FIG. 4 is a cable end view thereof; and,

FIG. 5 is a perspective view of an alternate embodiment of the present design showing a flange extending from one end and thereof, the flange being illustrated in phantom for illustrative purposes only and forming a part of the claimed invention.

**1 Claim, 4 Drawing Sheets**



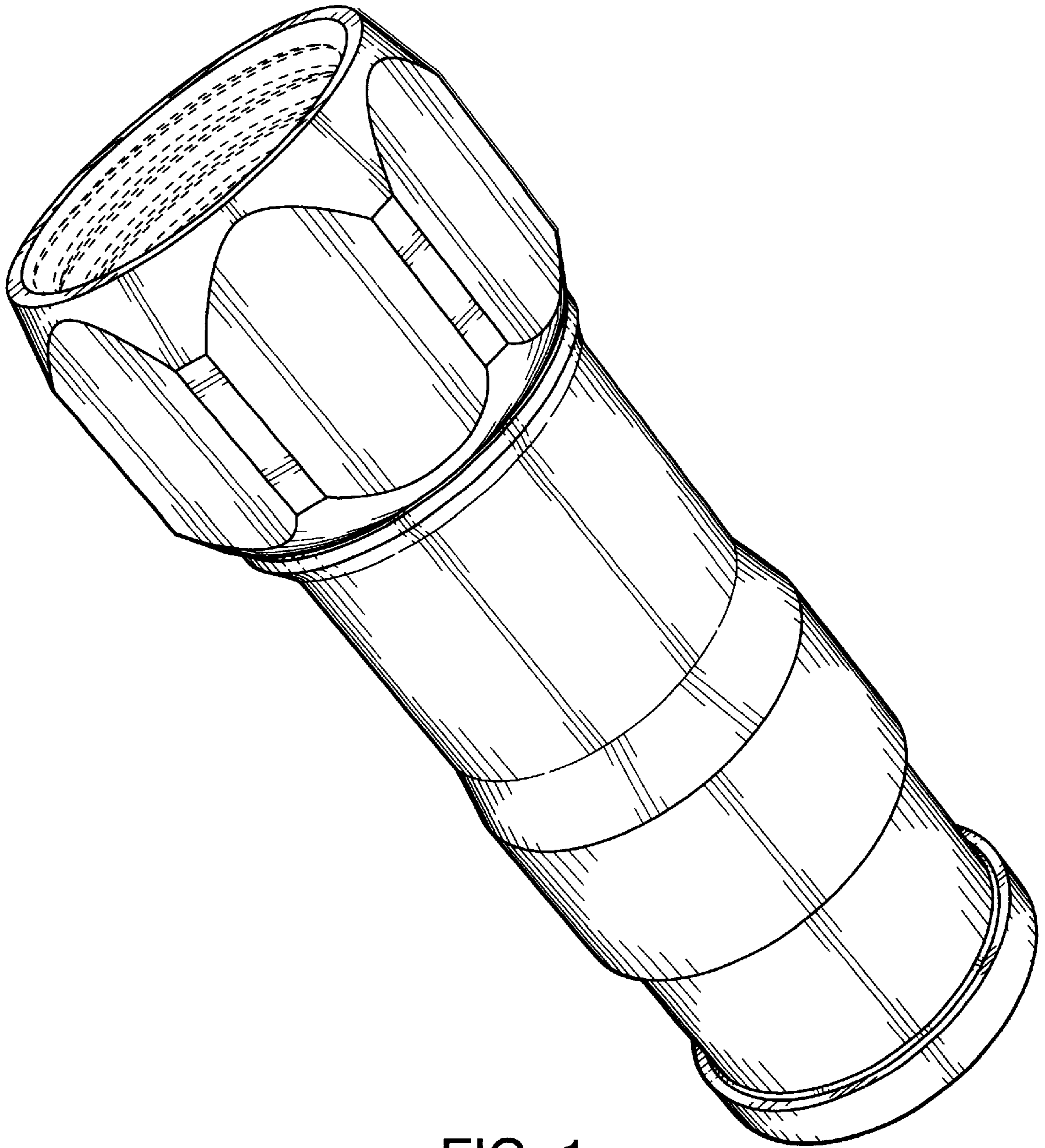


FIG. 1

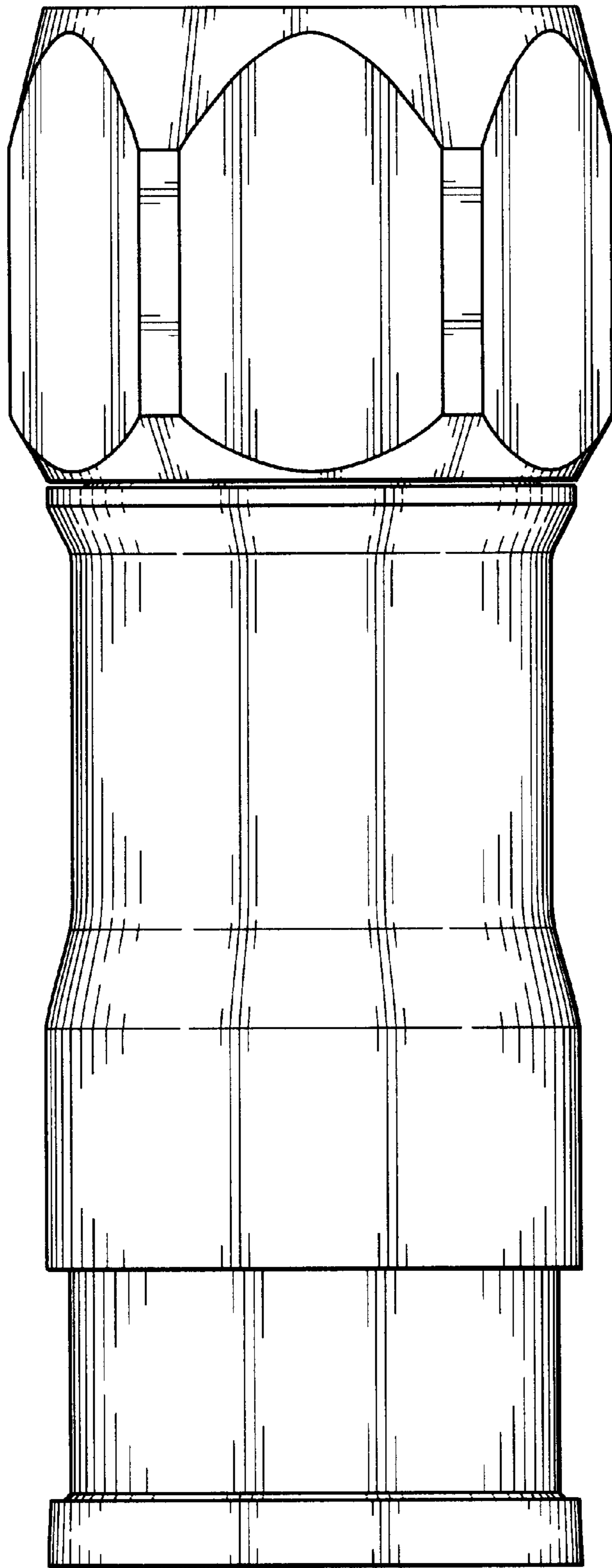


FIG. 2

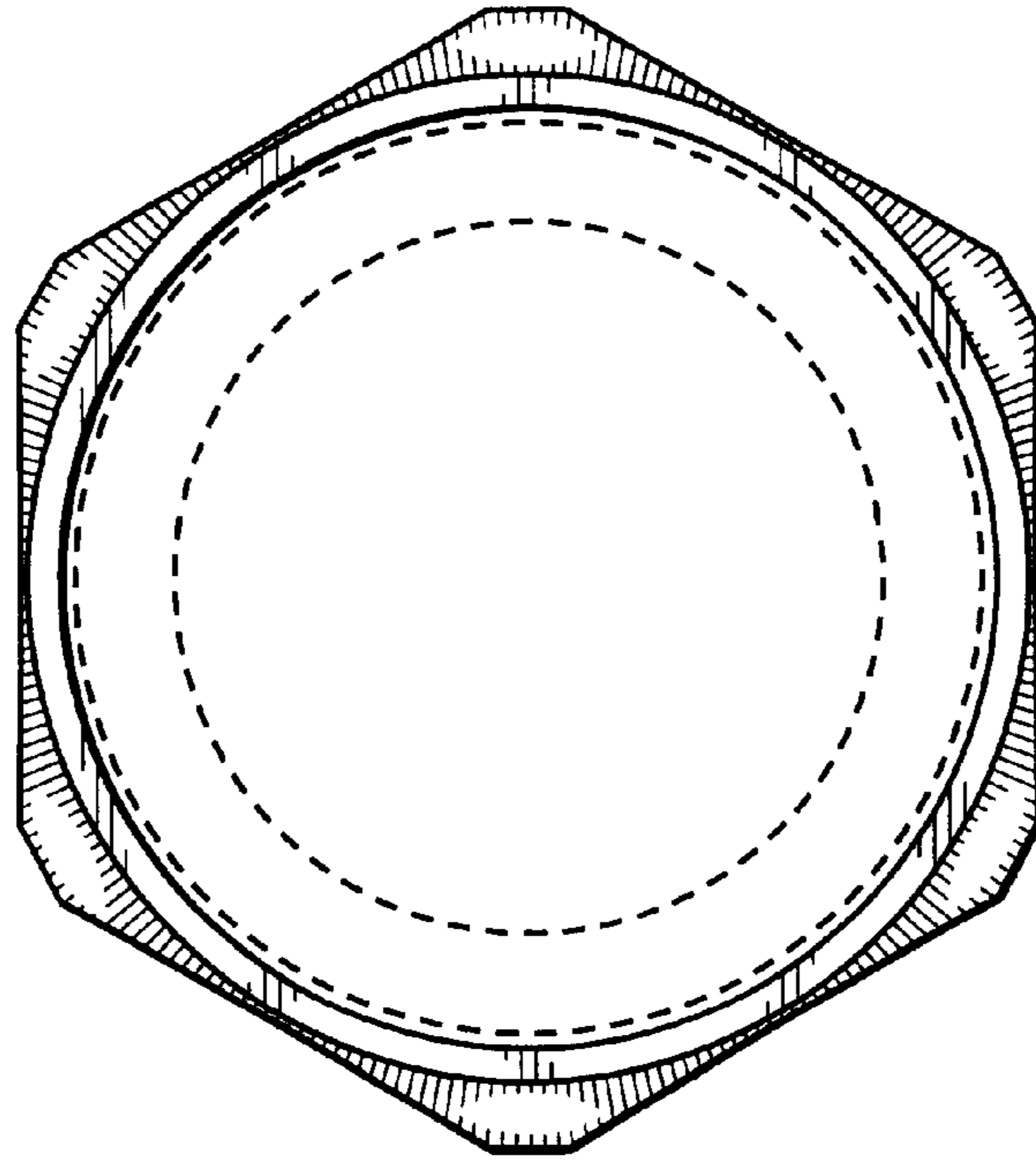


FIG. 3

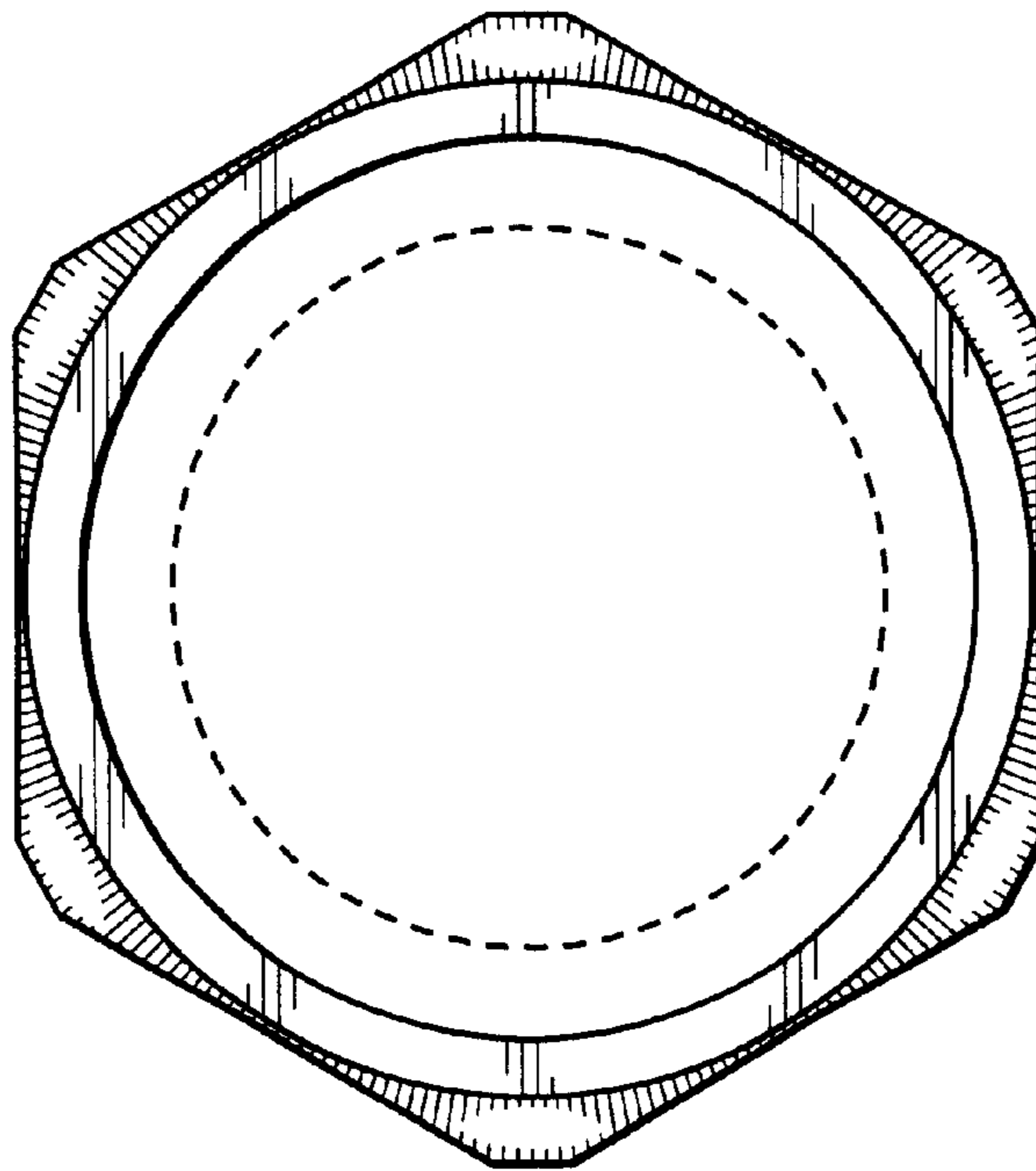


FIG. 4

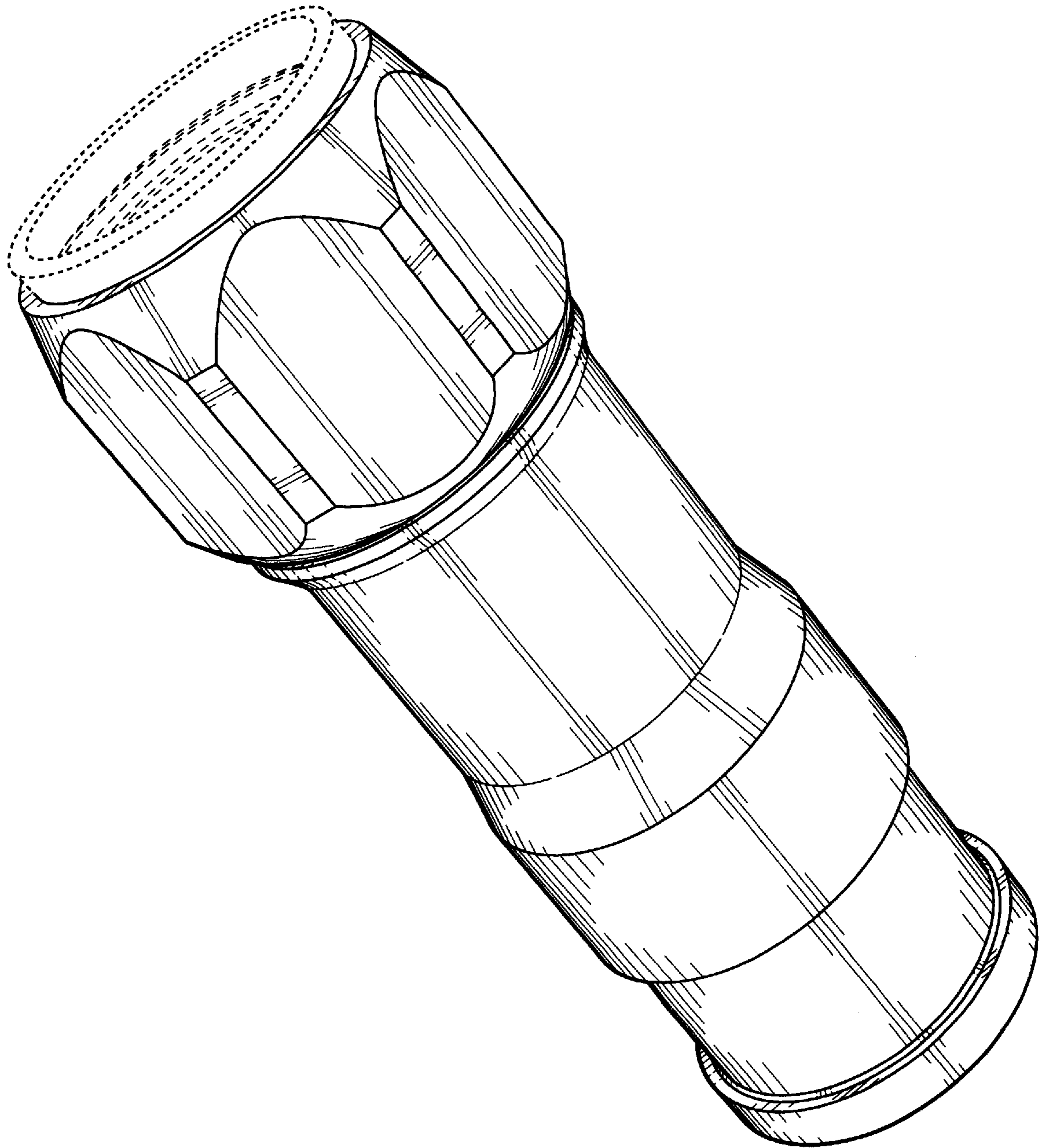


FIG. 5