



US00D475974S

(12) **United States Design Patent**  
**Ushiro et al.**

(10) **Patent No.:** **US D475,974 S**

(45) **Date of Patent:** **\*\* Jun. 17, 2003**

(54) **PLUG CONNECTOR**

(75) Inventors: **Yutaka Ushiro**, Yokohama (JP);  
**Katsuyuki Masaki**, Yokohama (JP);  
**Yusuke Hamada**, Yokohama (JP)

(73) Assignee: **J.S.T. Mfg. Co., Ltd.**, Osaka (JP)

(\*\*) Term: **14 Years**

(21) Appl. No.: **29/162,235**

(22) Filed: **Jun. 13, 2002**

(30) **Foreign Application Priority Data**

Dec. 14, 2001 (JP) ..... 2001-036793

(51) **LOC (7) Cl.** ..... **13-03**

(52) **U.S. Cl.** ..... **D13/147**

(58) **Field of Search** ..... D13/146, 147;  
439/350, 353, 357, 489, 587, 595, 680,  
750, 557, 567, 247, 248

(56) **References Cited**

**U.S. PATENT DOCUMENTS**

3,432,802 A \* 3/1969 Ritchie ..... 439/557 X  
5,199,896 A \* 4/1993 Mosquera ..... 439/329  
5,575,673 A \* 11/1996 Dahlem et al. .... 439/248  
6,409,538 B1 \* 6/2002 Yatskov et al. .... 439/567  
2001/0053623 A1 \* 12/2001 Fukamachi ..... 439/247

\* cited by examiner

*Primary Examiner*—Joel Sincavage

(74) *Attorney, Agent, or Firm*—Armstrong, Westerman & Hattori, LLP

(57) **CLAIM**

The ornamental design for a plug connector, as shown and described.

**DESCRIPTION**

FIG. 1 is a perspective view of a plug connector showing our new design;

FIG. 2 is a front elevation view thereof;

FIG. 3 is a rear elevation view thereof;

FIG. 4 is a top plan view thereof;

FIG. 5 is a bottom plan view thereof;

FIG. 6 is a right side elevation view thereof; the left side elevation view being a mirror image;

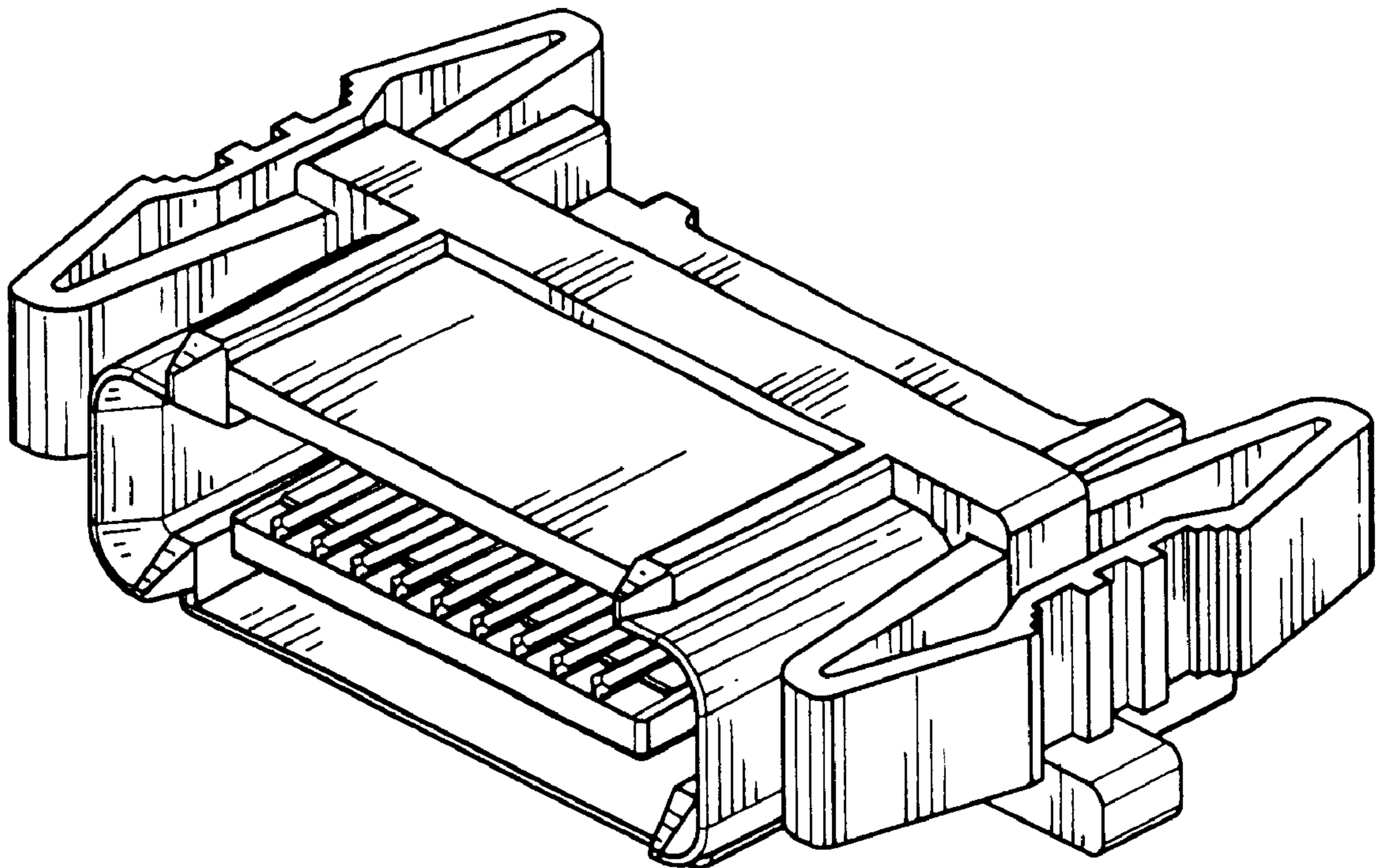
FIG. 7 is a sectional view thereof, taken along line 7—7 of FIG. 2;

FIG. 8 is a perspective view thereof being set in a panel from front;

FIG. 9 is a perspective view thereof being set in a panel from rear and bottom up; and,

FIG. 10 is a perspective view of a plug connector showing a corresponding receptacle connector for use; the broken lines in FIGS. 8, 9, and 10 are included for the purposes of illustrating environmental structure only and form no part of the claimed design.

**1 Claim, 6 Drawing Sheets**



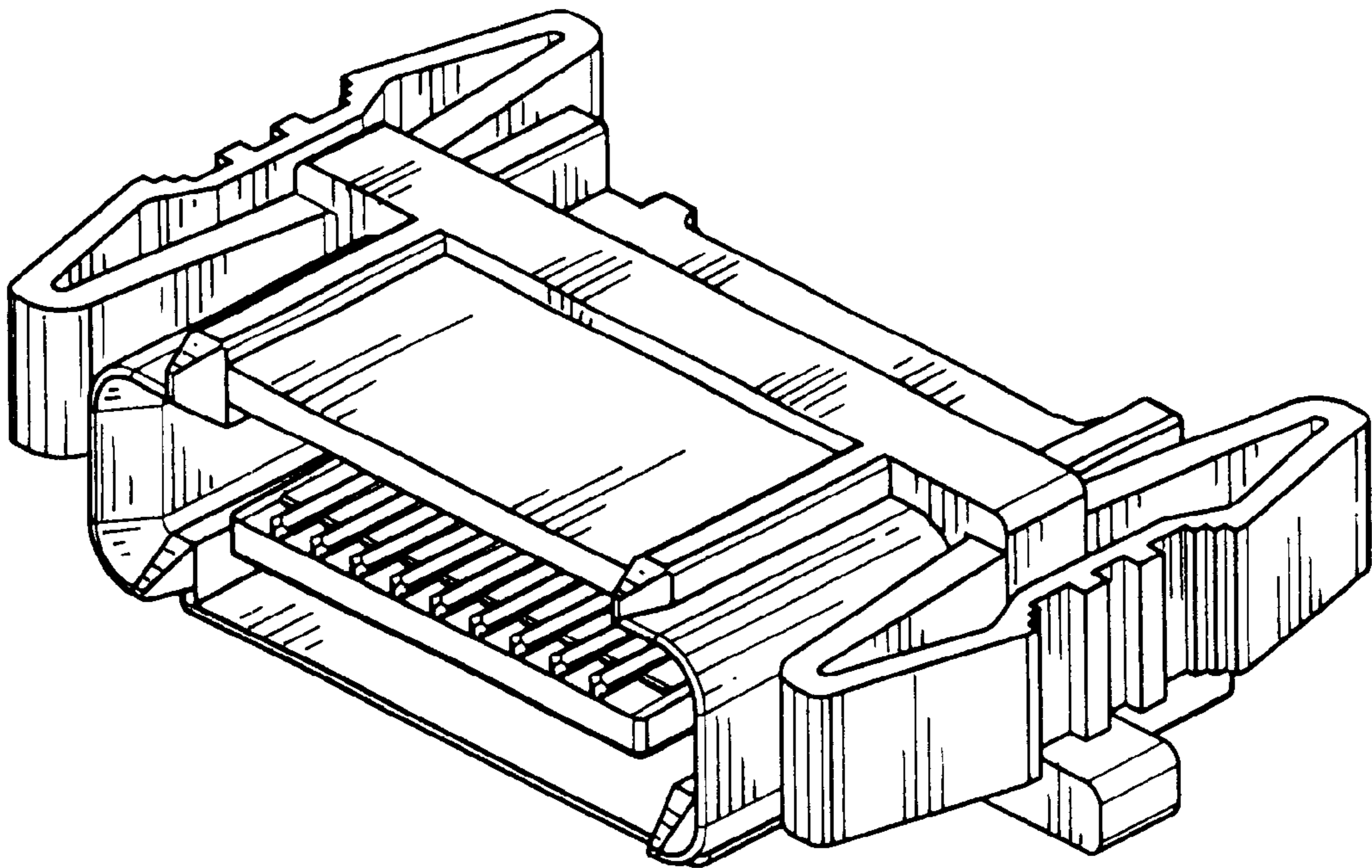


FIG. 1

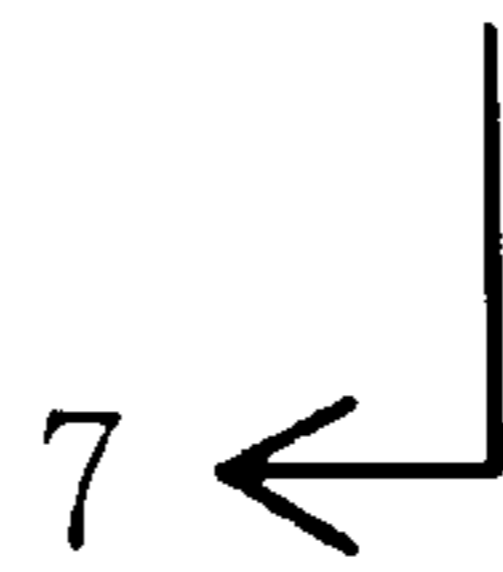
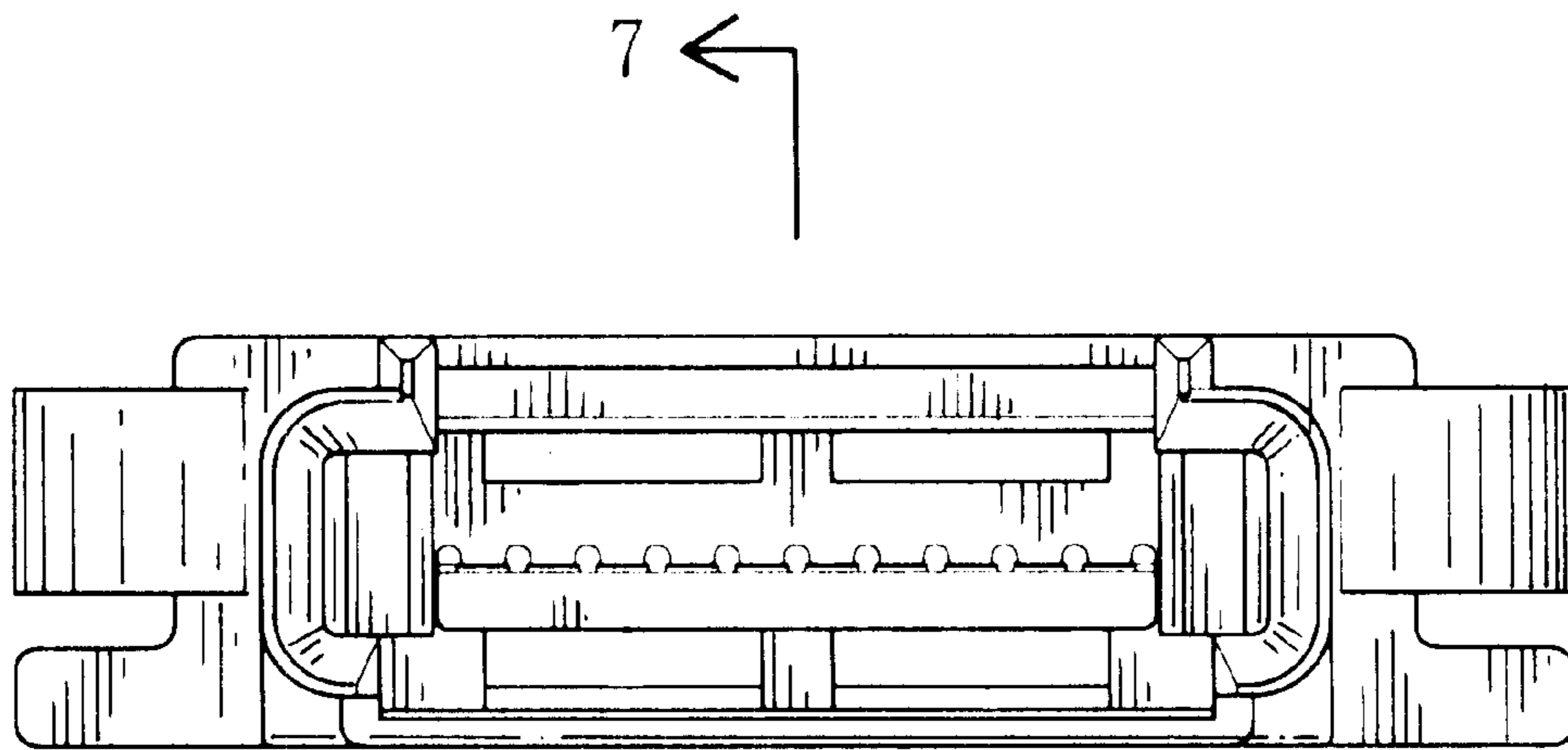


FIG. 2

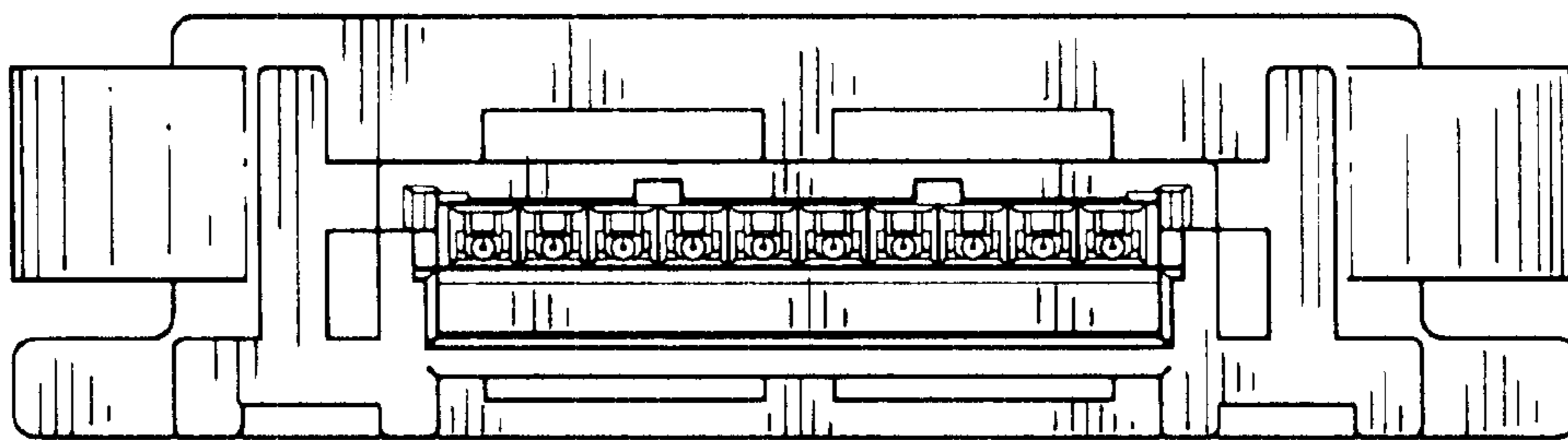


FIG. 3

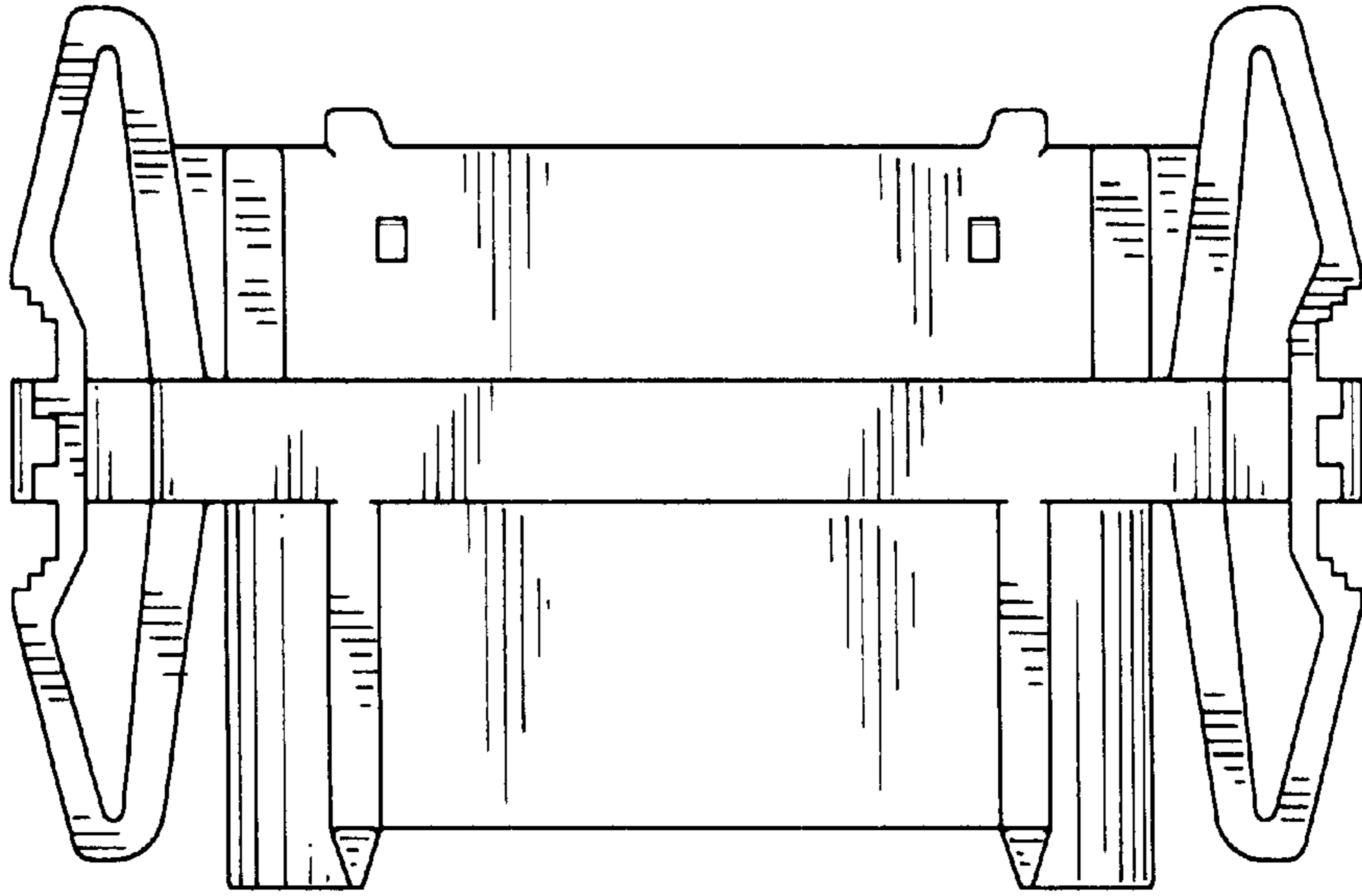


FIG. 4

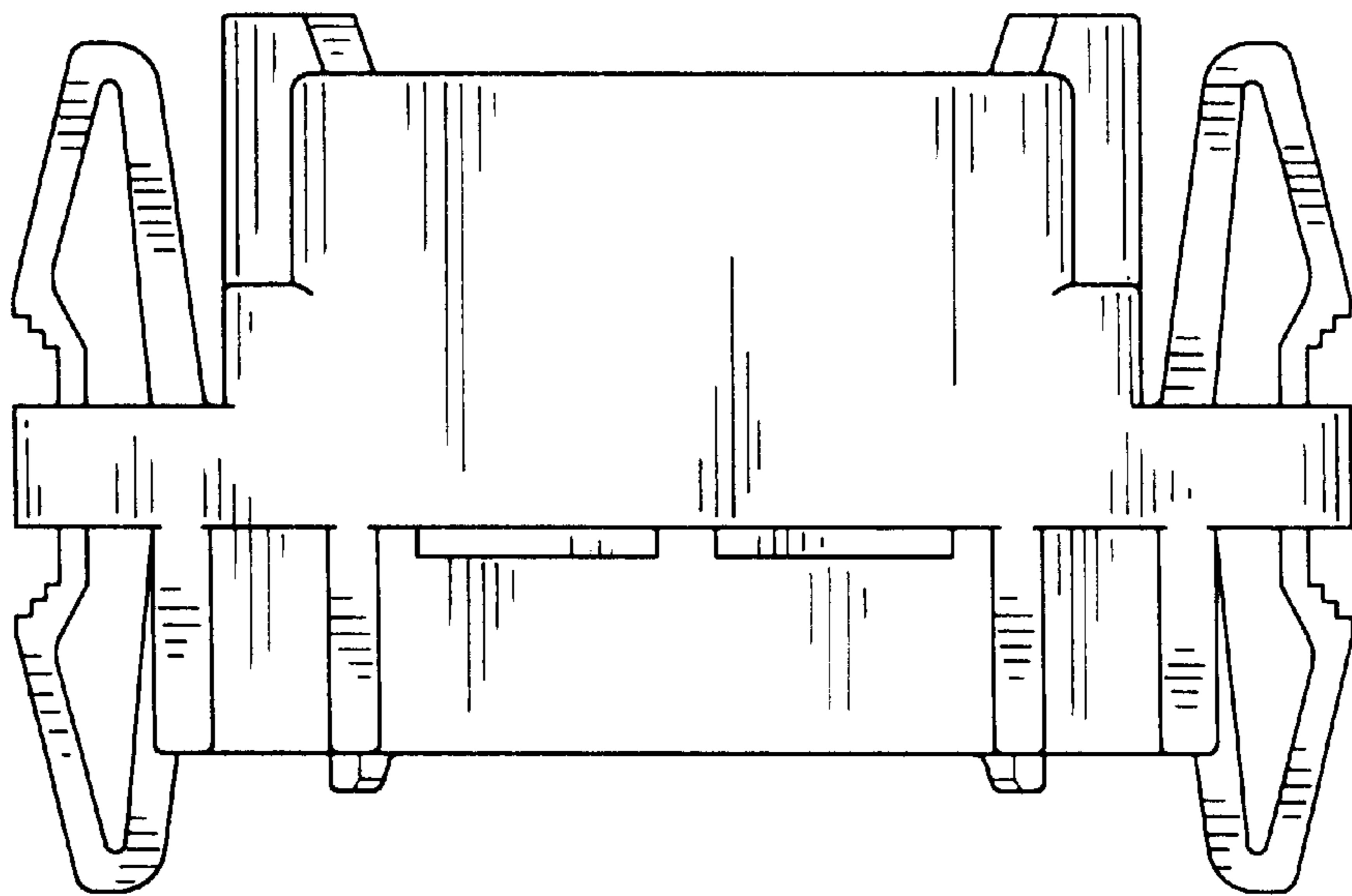


FIG. 5

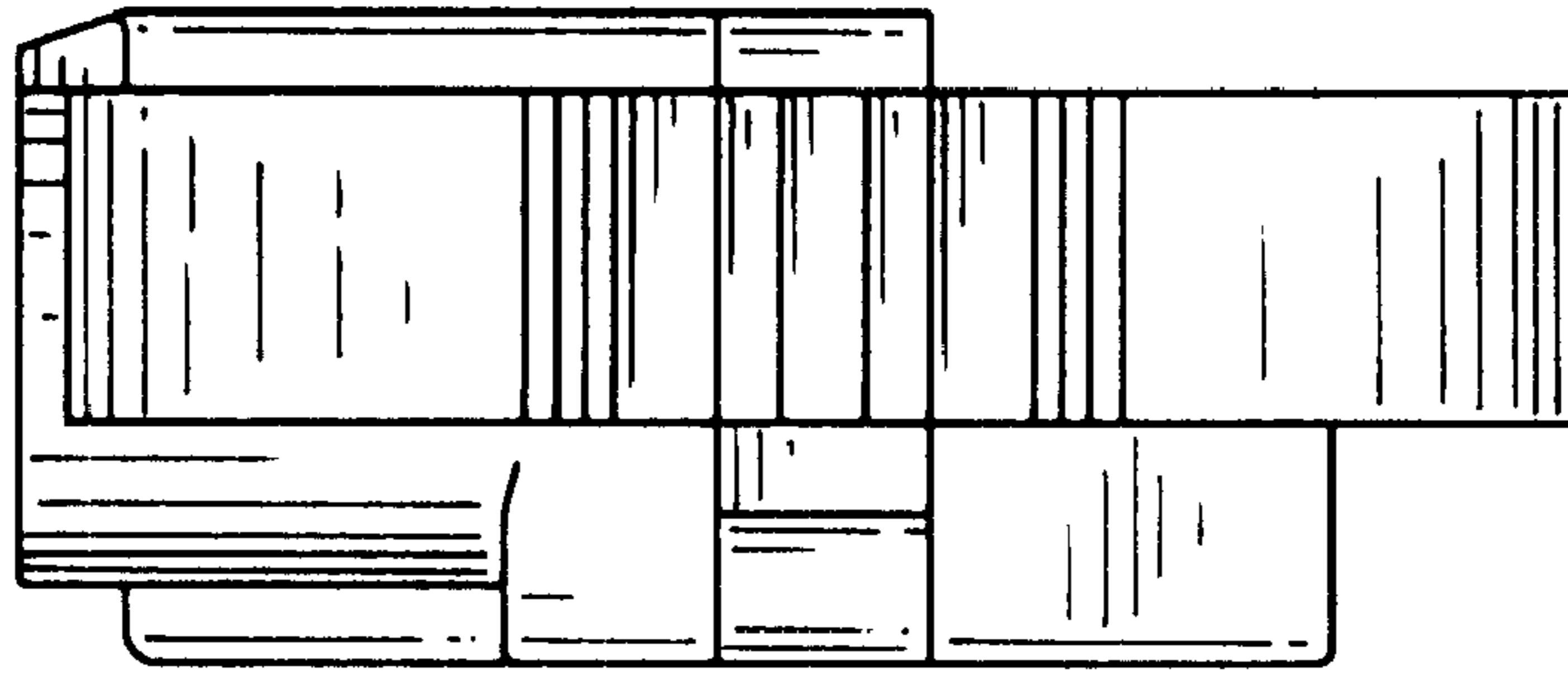


FIG. 6

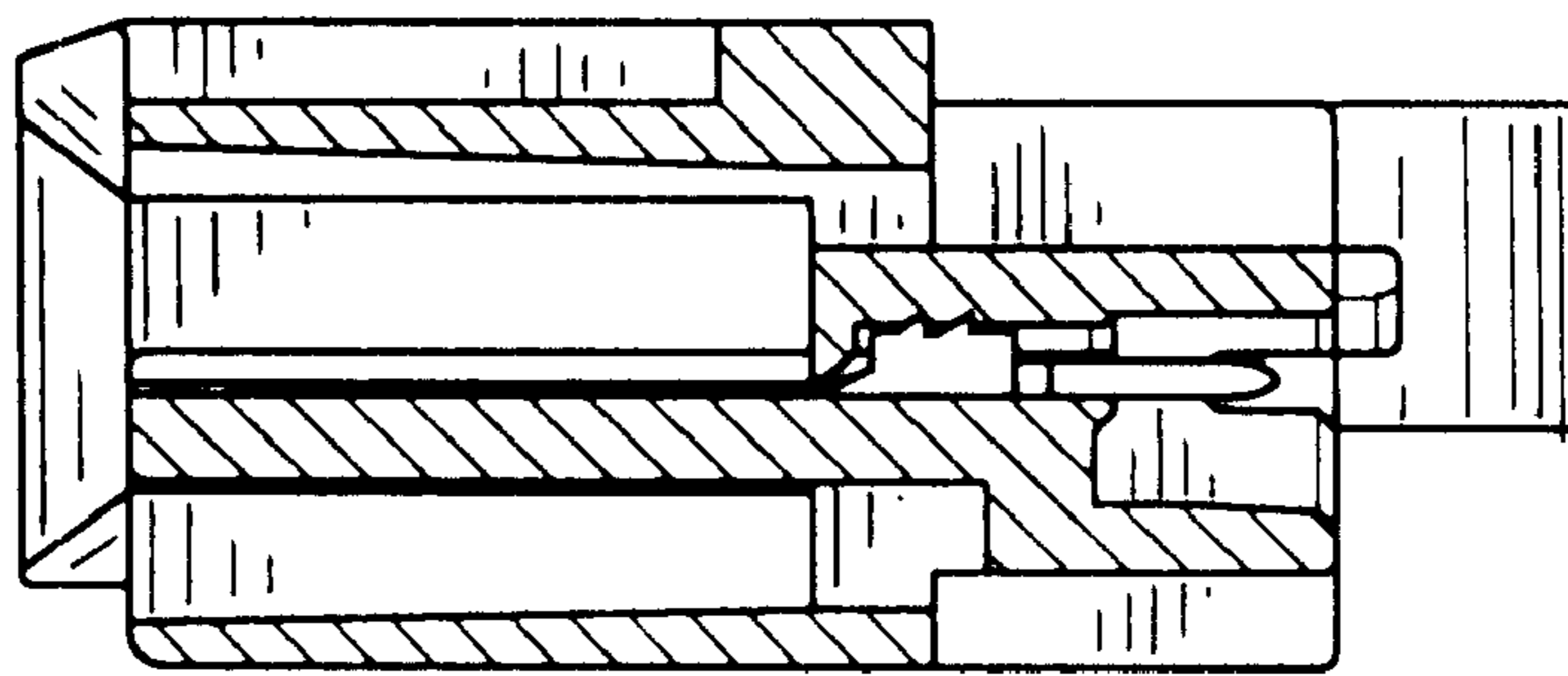


FIG. 7



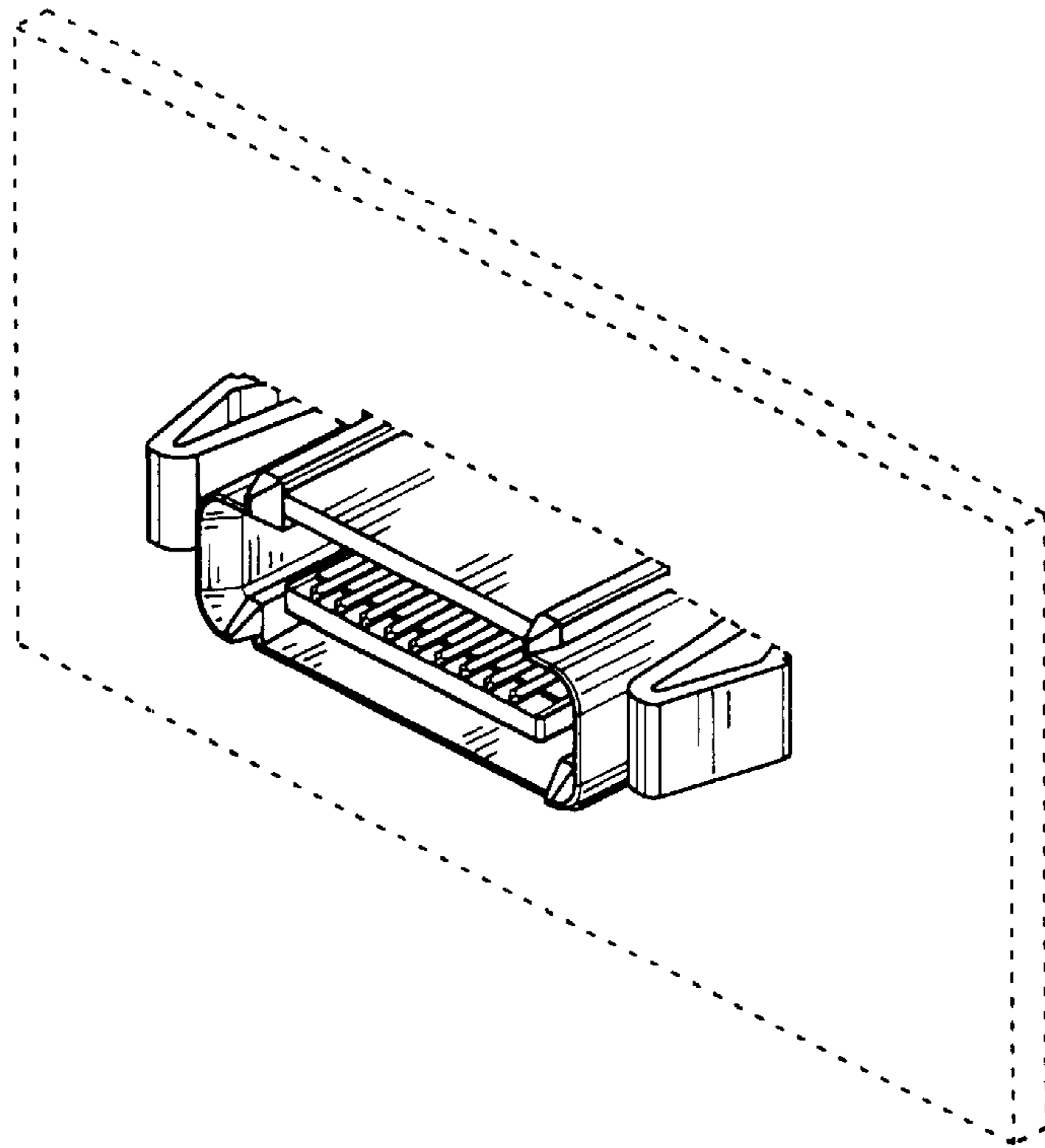


FIG. 8

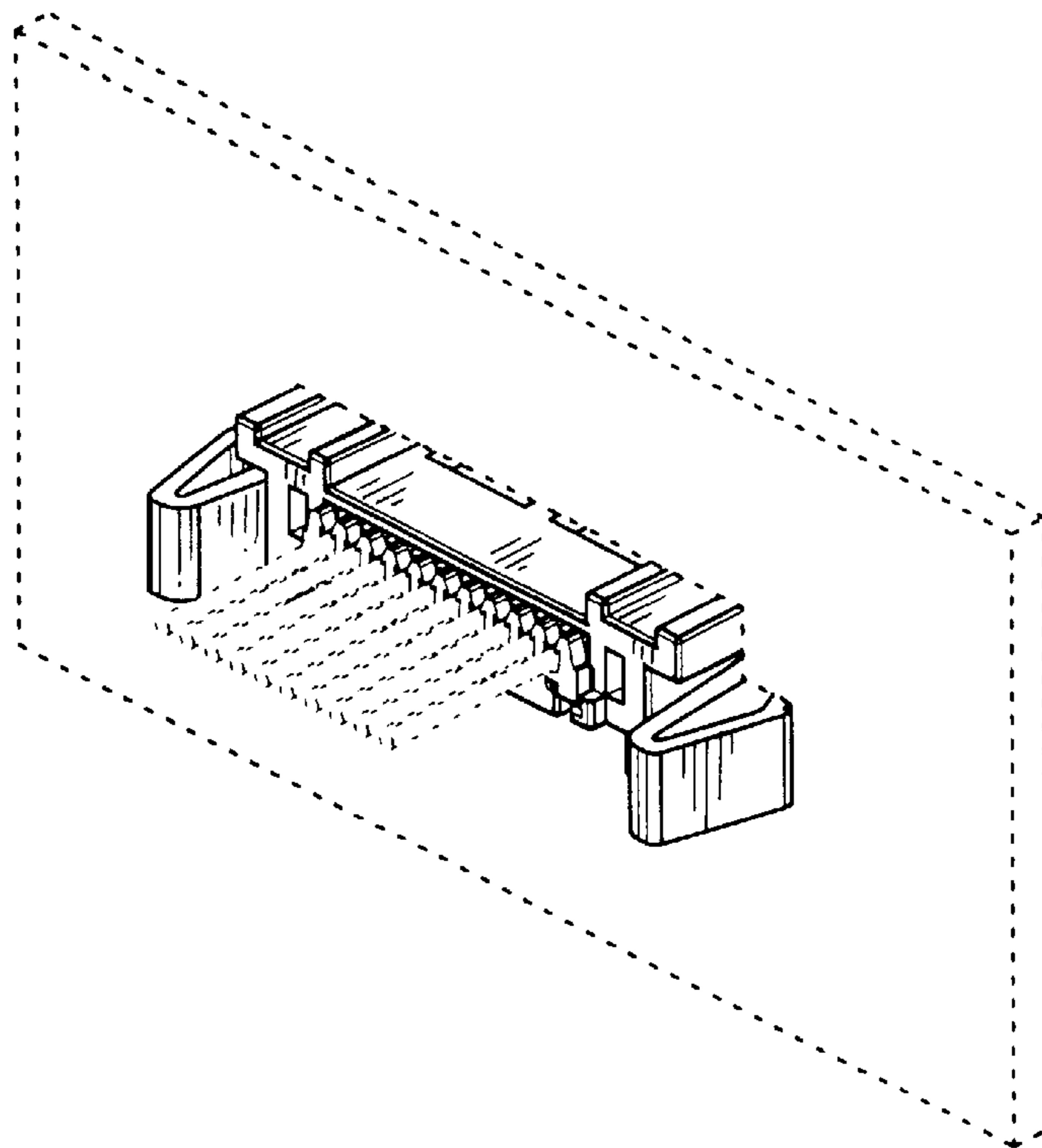


FIG. 9

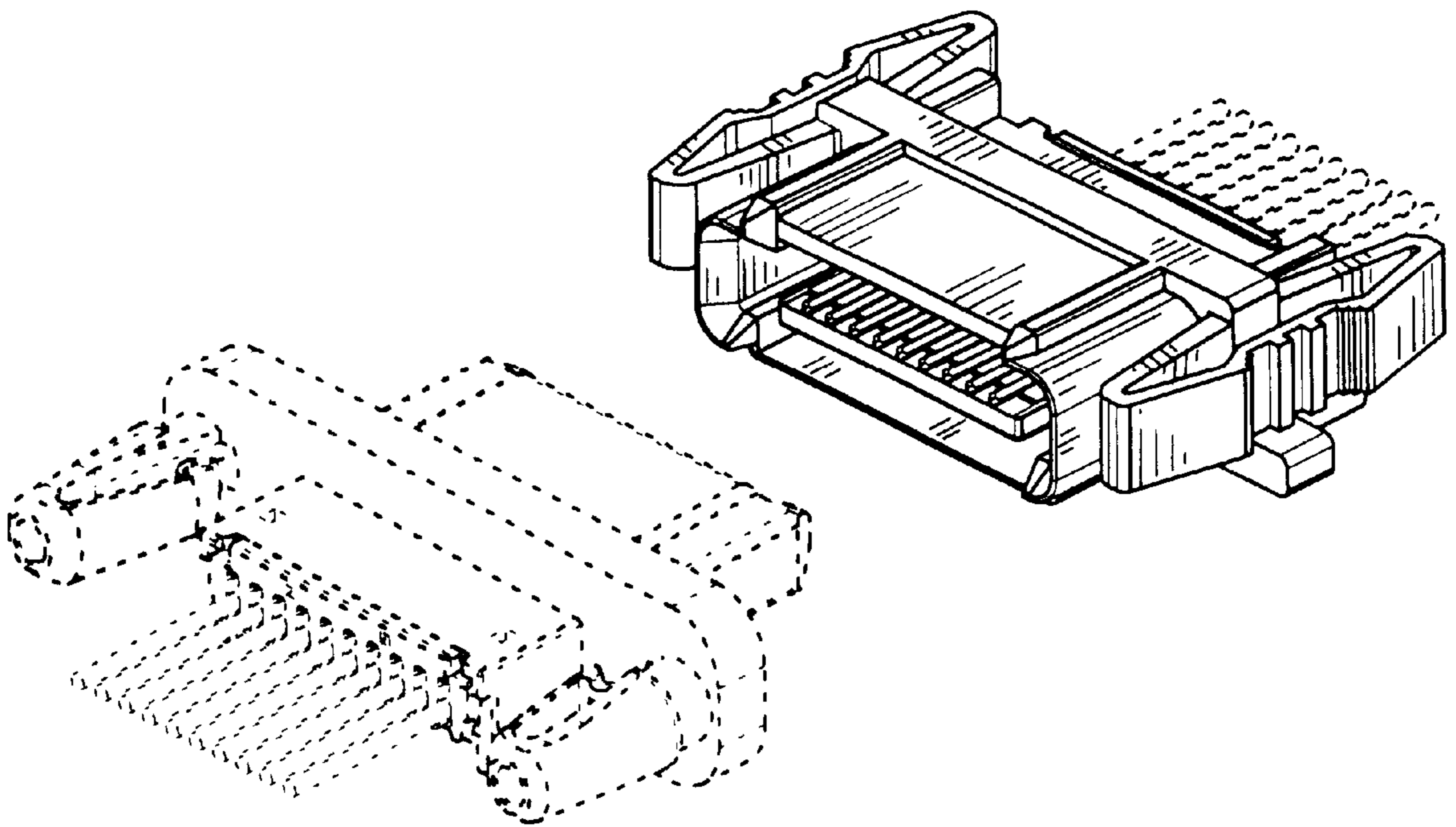


FIG. 10