



US00D475973S

(12) **United States Design Patent**  
**Xu et al.**

(10) **Patent No.: US D475,973 S**

(45) **Date of Patent: \*\* Jun. 17, 2003**

(54) **SURFACE MOUNT ELECTRICAL CONNECTOR**

6,188,560 B1 \* 2/2001 Waas ..... 439/709 X  
6,222,717 B1 \* 4/2001 Waas et al. .... 361/119  
6,315,595 B1 \* 11/2001 LaPorte et al. .... 439/412

(75) Inventors: **Pei Ren Xu**, Dollard-des-Ormeaux (CA); **Laszlo A. Pallai**, Ste-Anne-de-Bellevue (CA)

\* cited by examiner

*Primary Examiner*—Joel Sincavage

(73) Assignee: **Weco Electrical Connectors Inc.**, Baie d'Urfe (CA)

(74) *Attorney, Agent, or Firm*—Schweitzer Cornman Gross & Bondell LLP

(\*\*) Term: **14 Years**

(57) **CLAIM**

(21) Appl. No.: **29/145,181**

We claim the ornamental design of a surface-mount electrical connector, as shown and described.

(22) Filed: **Jul. 17, 2001**

**DESCRIPTION**

(30) **Foreign Application Priority Data**

Jul. 16, 2001 (CA) ..... 2001-1788

(51) **LOC (7) Cl.** ..... **13-03**

(52) **U.S. Cl.** ..... **D13/147**

(58) **Field of Search** ..... D13/146, 147; 439/709, 715, 716, 717; 361/823

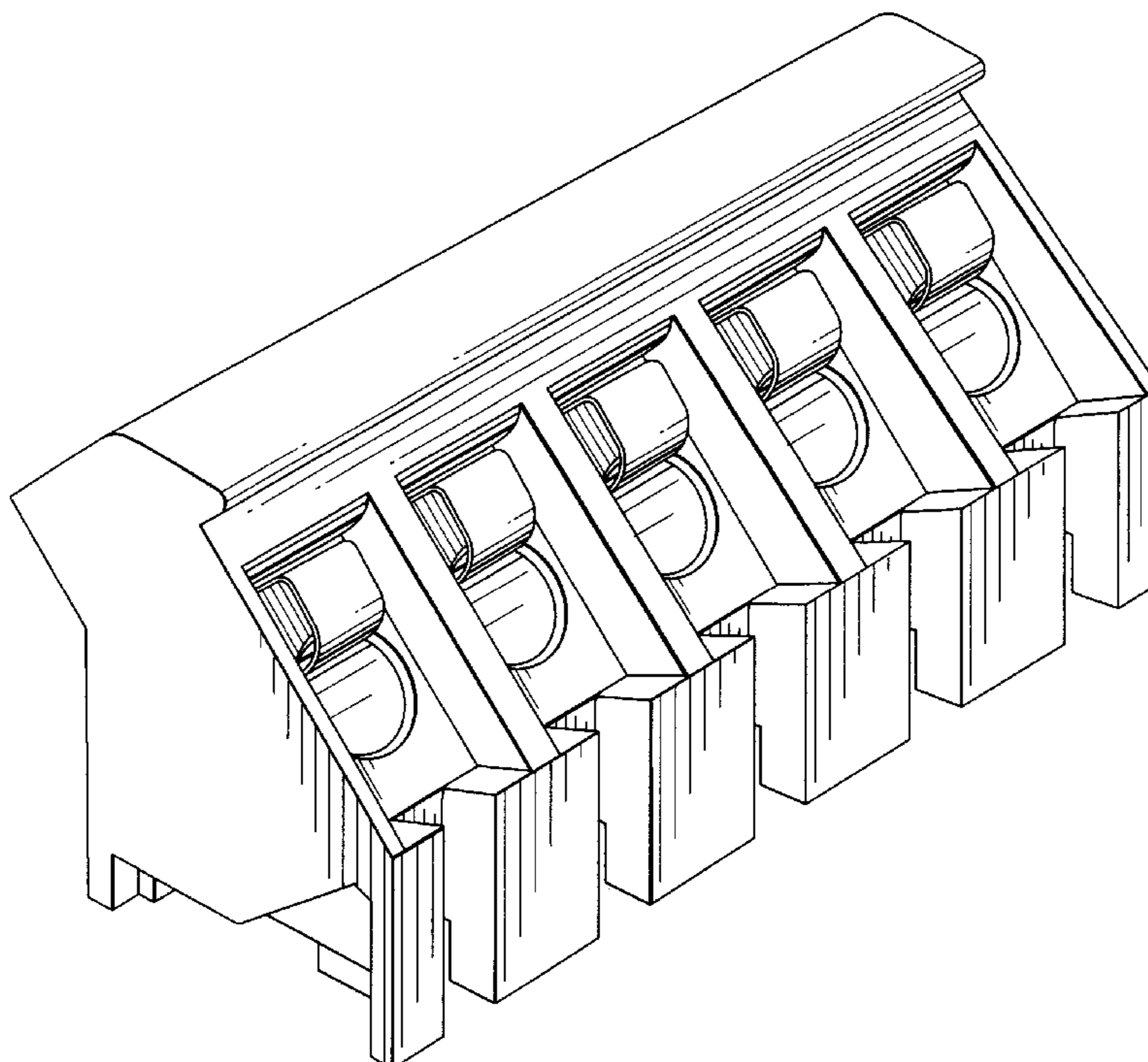
FIG. 1 is a perspective view of a first and a second variant of the electrical connector according to the present design; FIGS. 2 and 6 are side elevational views of the first variant of the electrical connector according to the present design; FIG. 3 is a front elevational view of the first and second variant of the electrical connector according to the present design; FIG. 4 is a top plan view of the first and second variant of the electrical connector according to the present design; FIG. 5 is a bottom plan view of the first and second variant of the electrical connector according to the present design; FIG. 7 is a rear elevational view of the first and second variant of the electrical connector according to the present design; and, FIGS. 8 and 9 are side elevational views of the second variant of the electrical connector according to the present design.

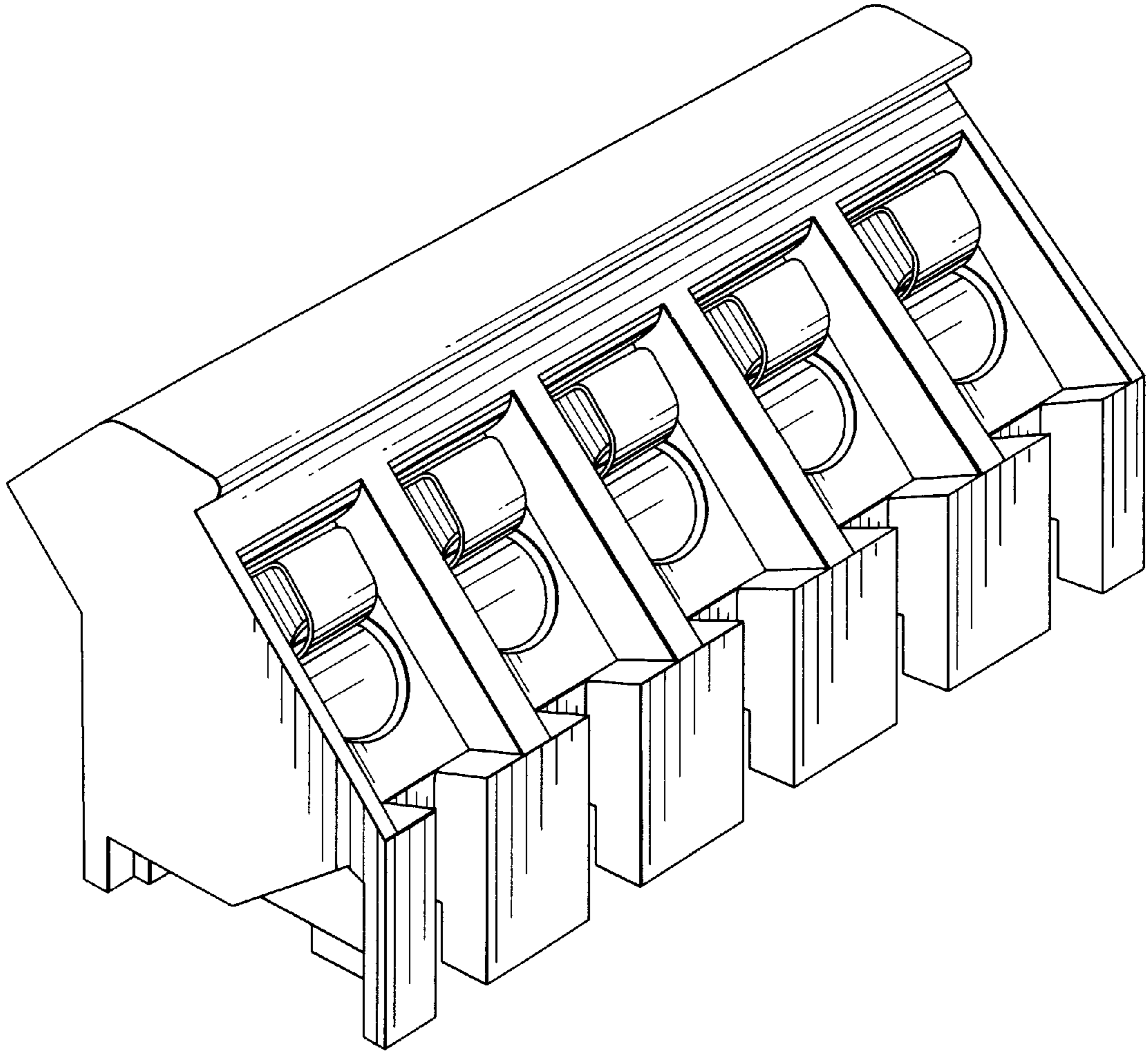
(56) **References Cited**

**U.S. PATENT DOCUMENTS**

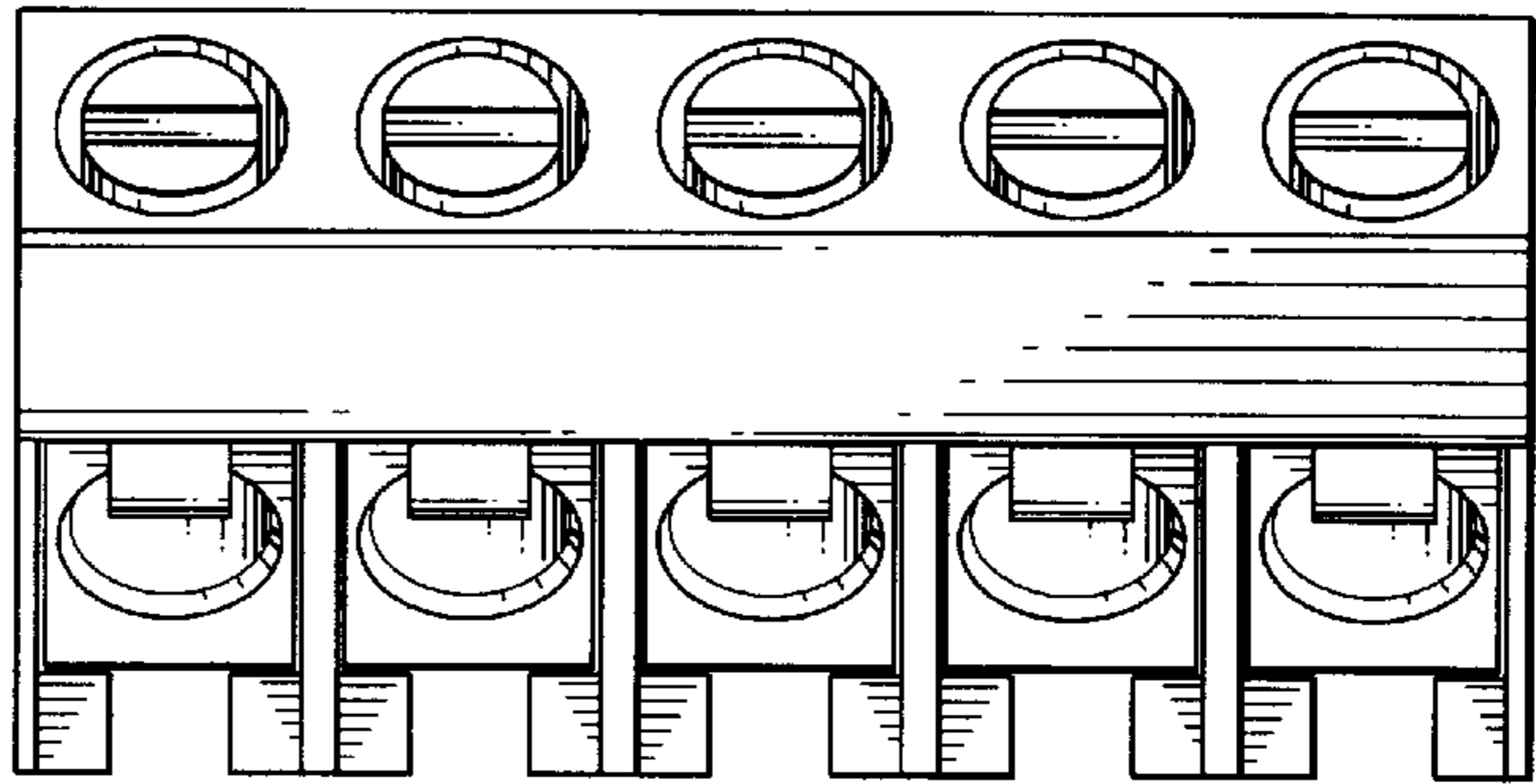
3,072,879 A \* 1/1963 Crowther ..... 439/709  
5,149,278 A \* 9/1992 Waas et al. .... 439/412  
5,292,263 A \* 3/1994 Mosser et al. .... 439/812  
D353,380 S \* 12/1994 Baum et al. .... D14/240  
5,681,182 A \* 10/1997 Reichle ..... 439/417  
5,729,442 A \* 3/1998 Frantz ..... 361/823  
5,836,791 A \* 11/1998 Waas et al. .... 439/709  
6,027,379 A \* 2/2000 Hohorst ..... 439/715

**1 Claim, 3 Drawing Sheets**

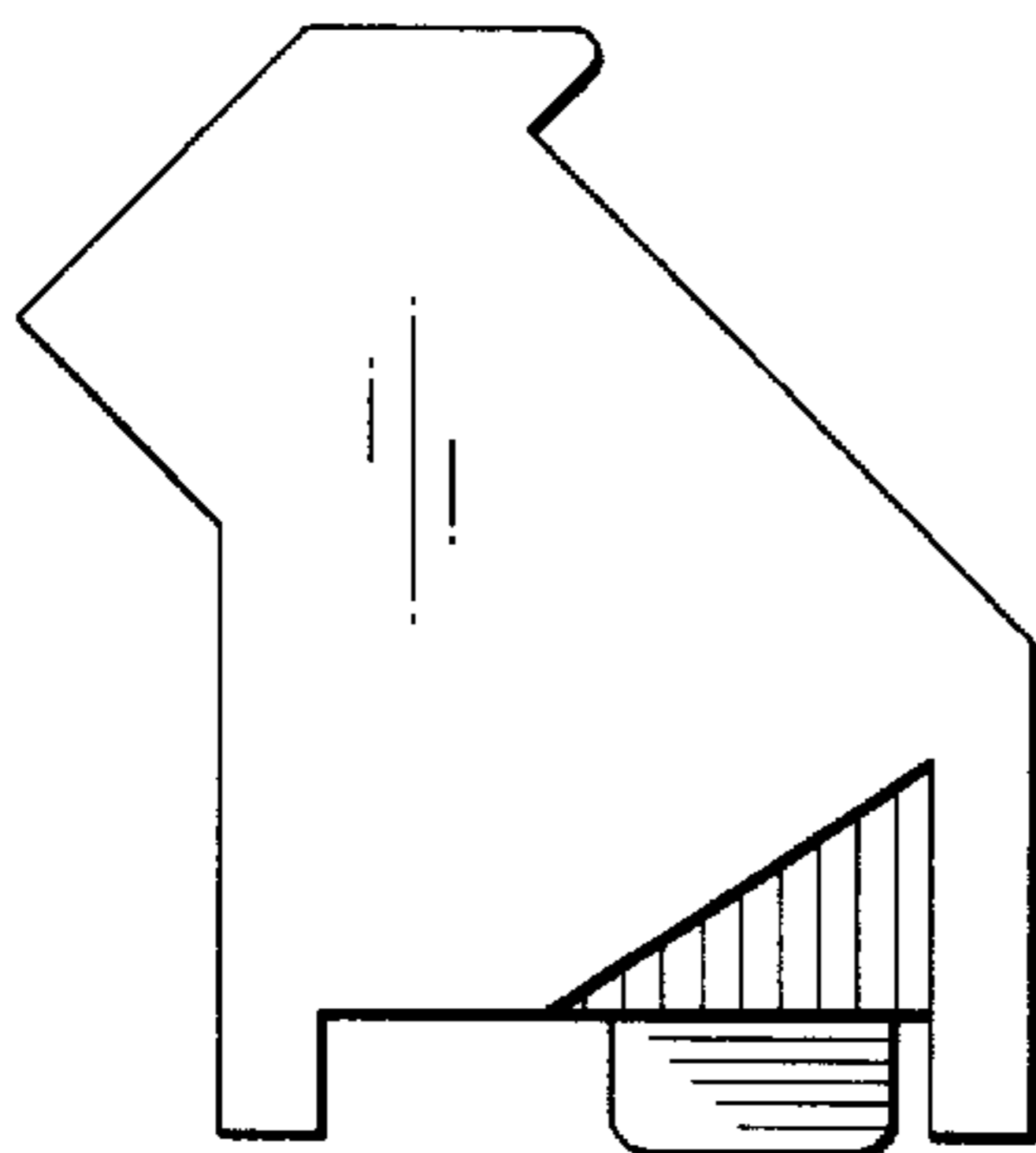




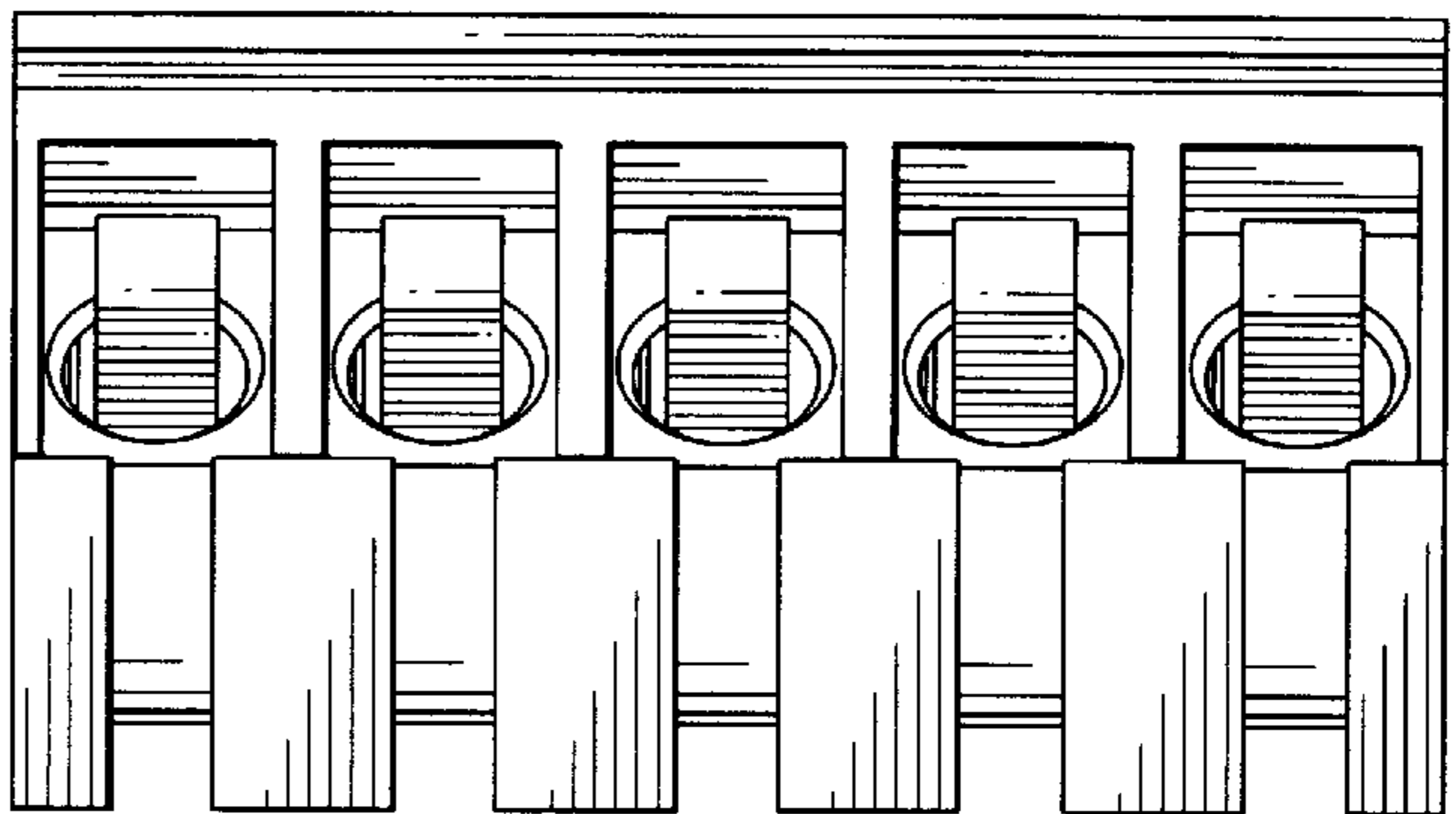
**Fig- 1**



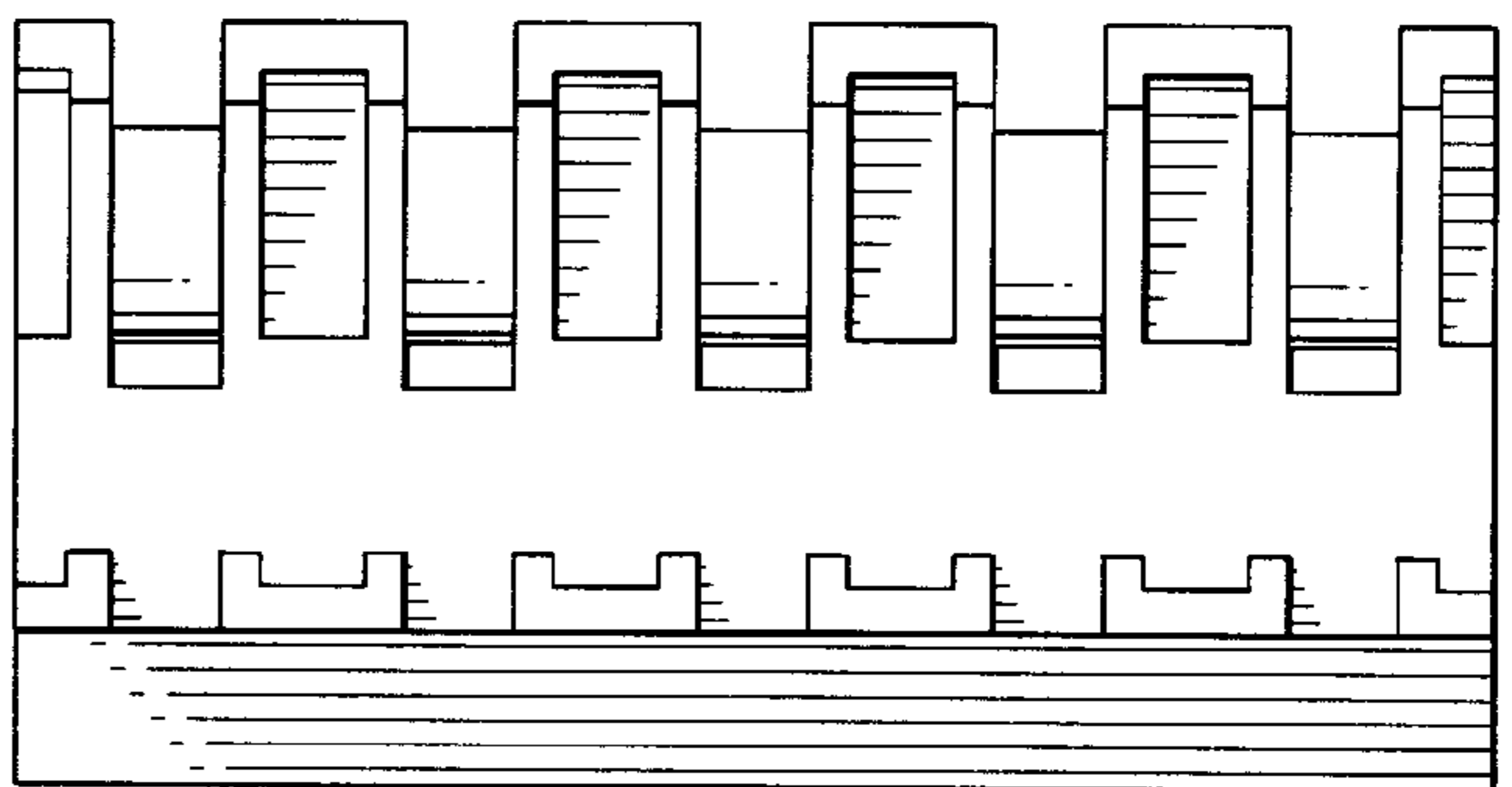
**Fig- 4**



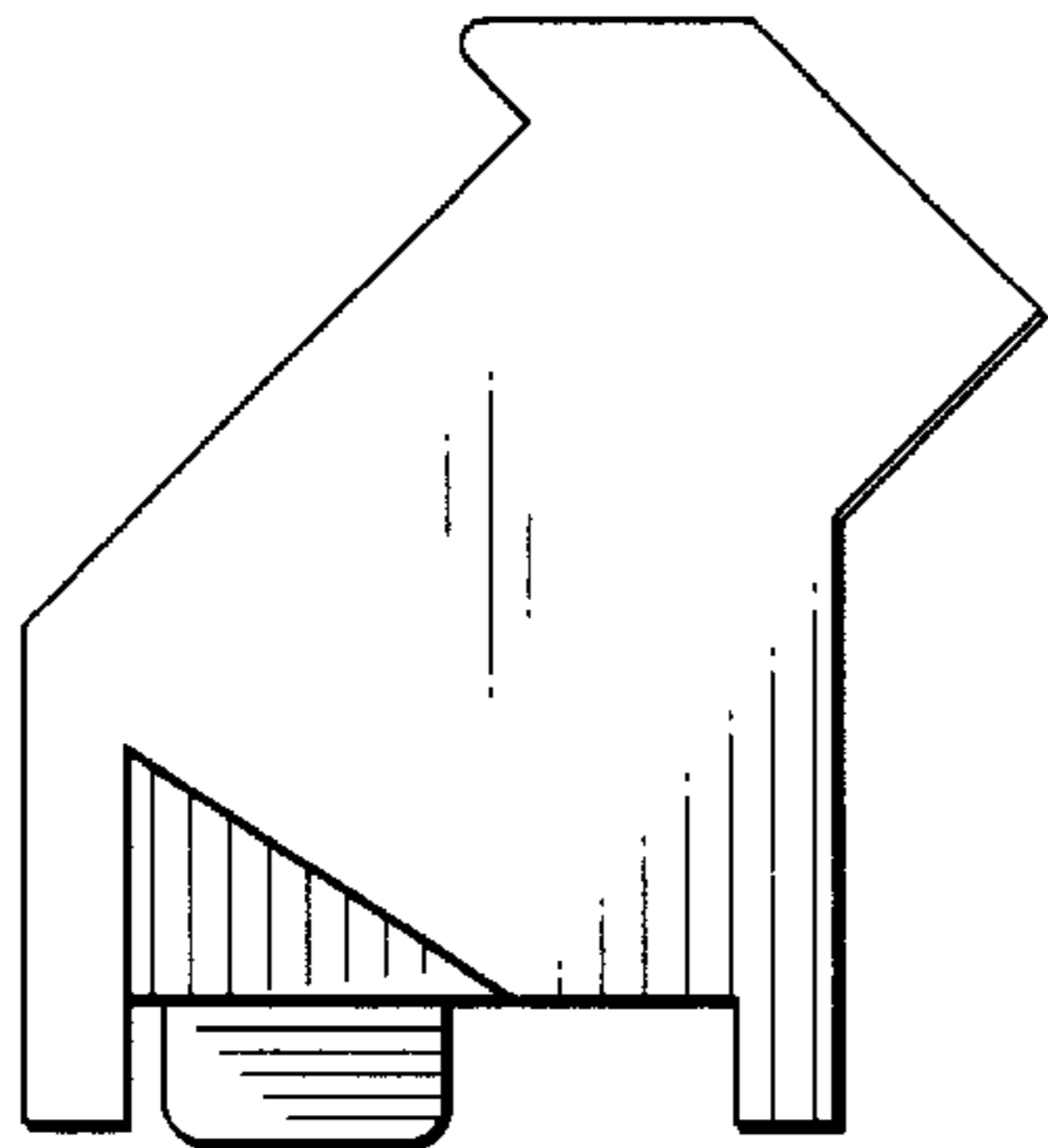
**Fig- 2**



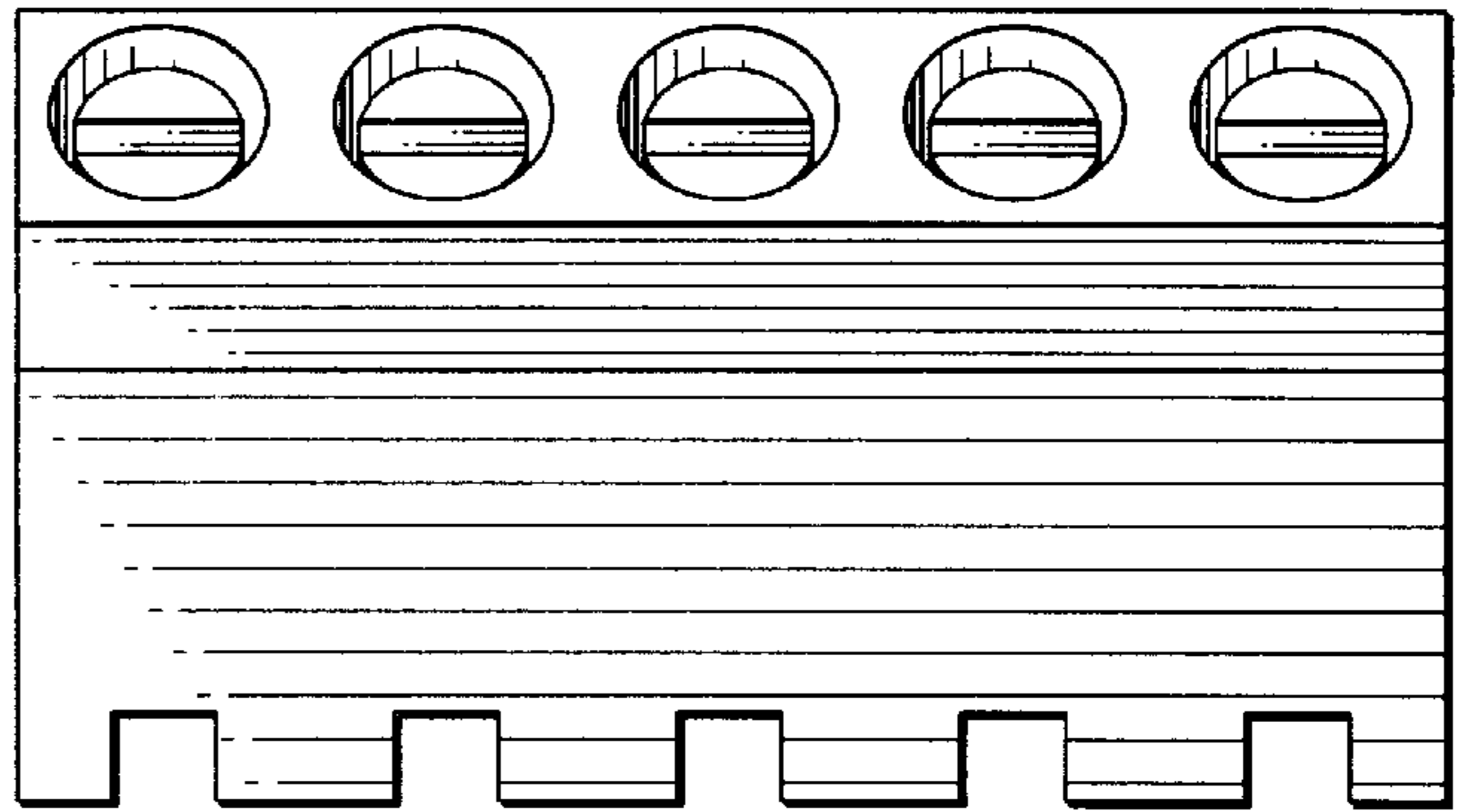
**Fig- 3**



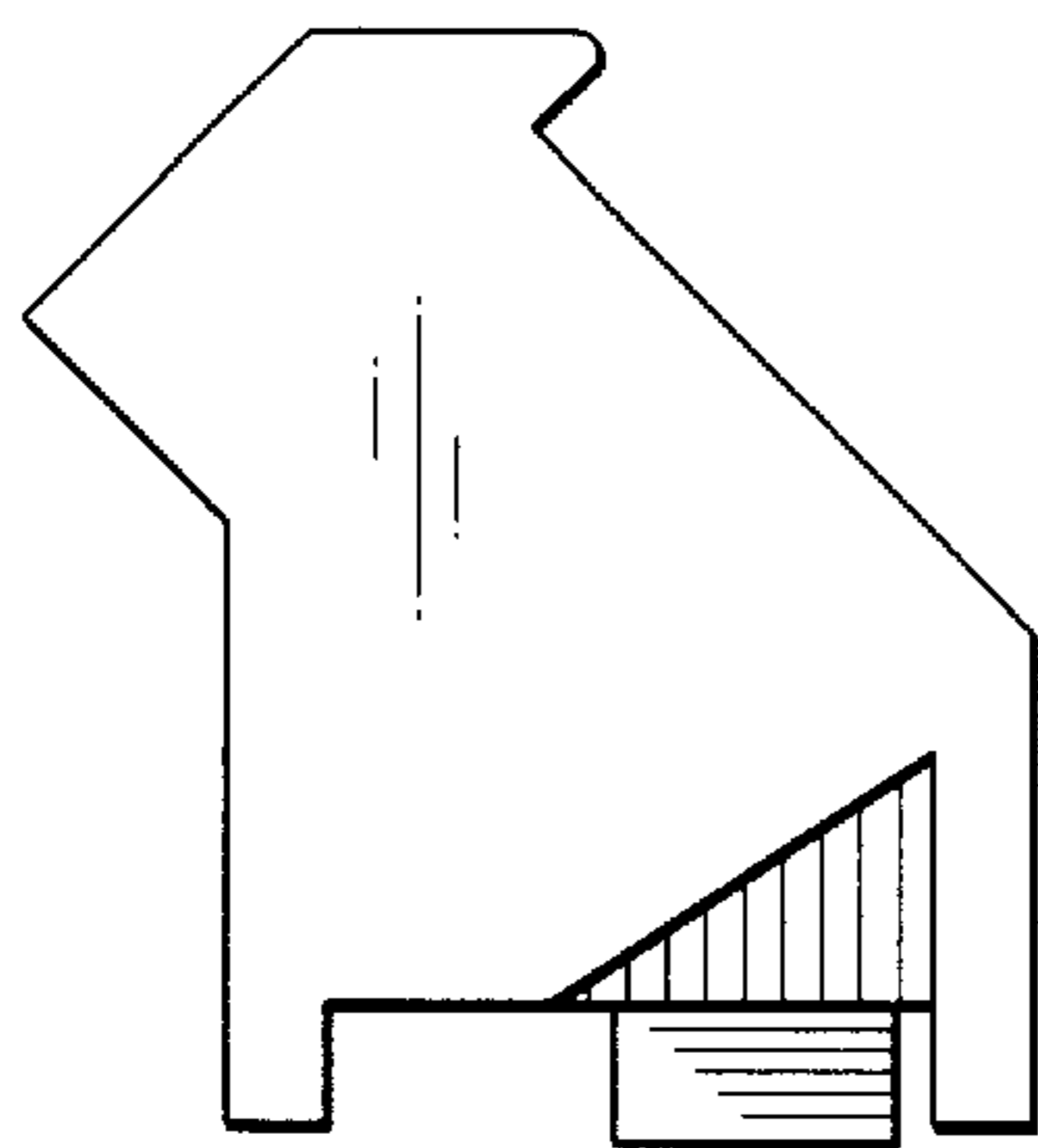
**Fig- 5**



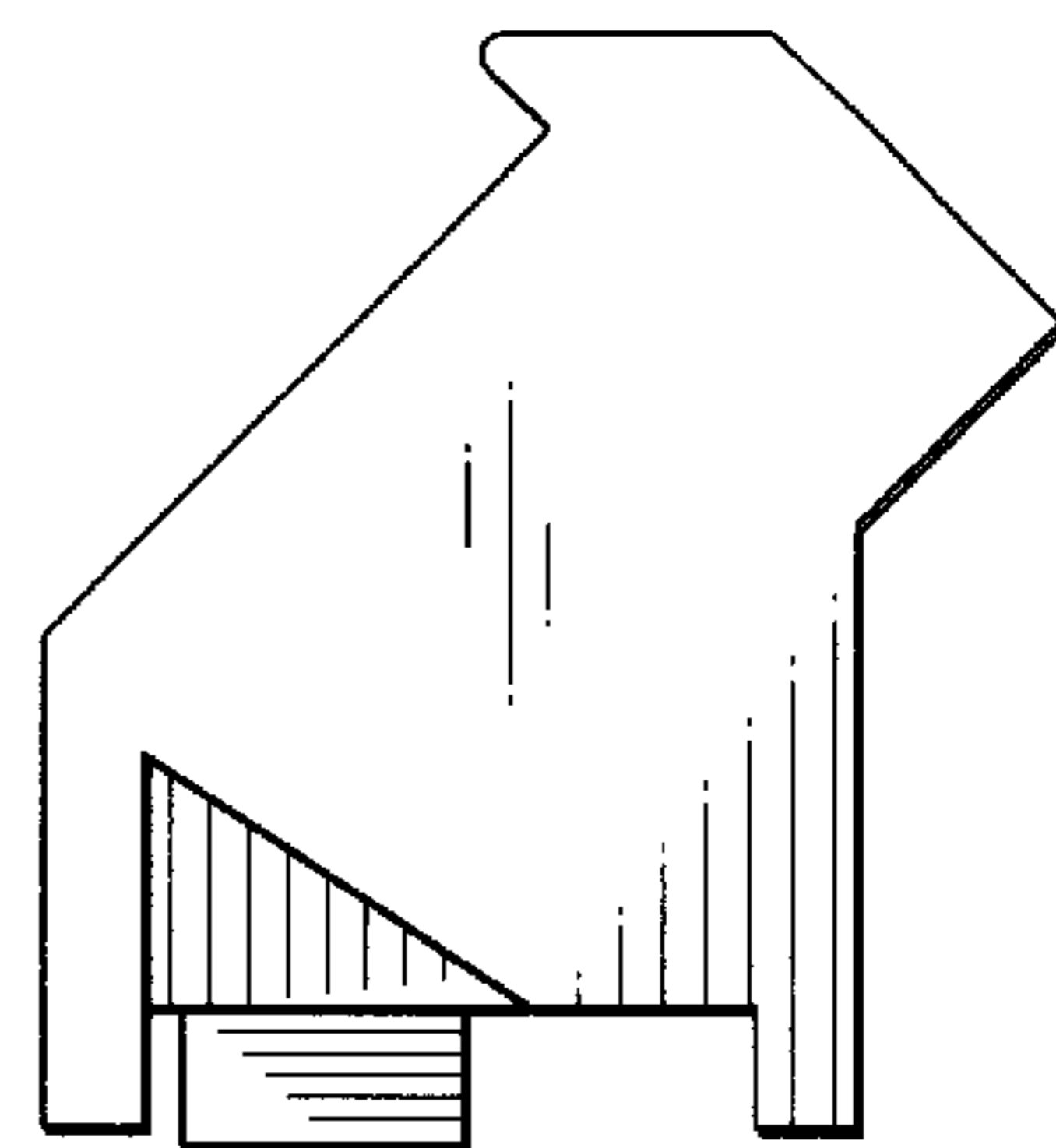
**Fig- 6**



**Fig- 7**



**Fig- 8**



**Fig- 9**